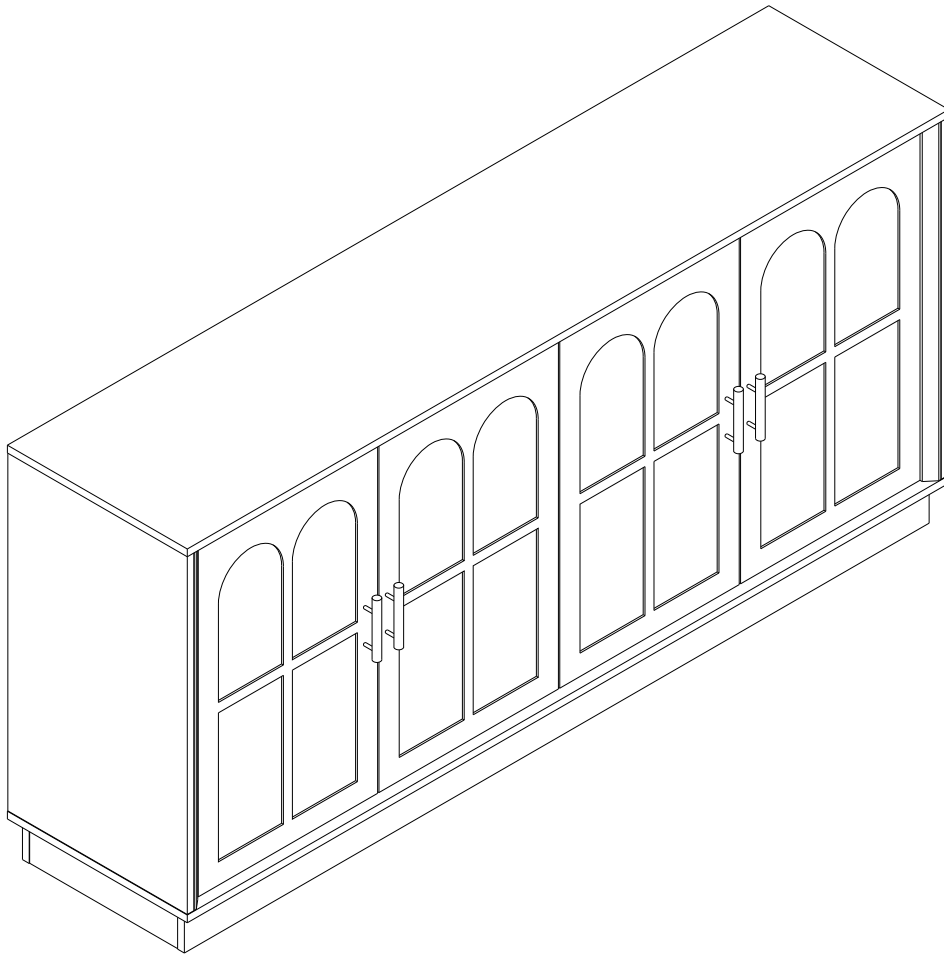
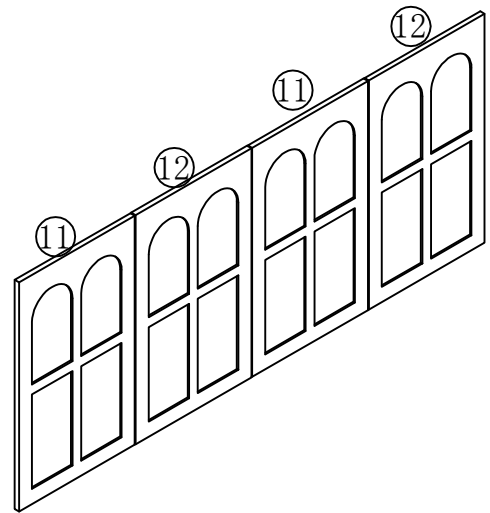
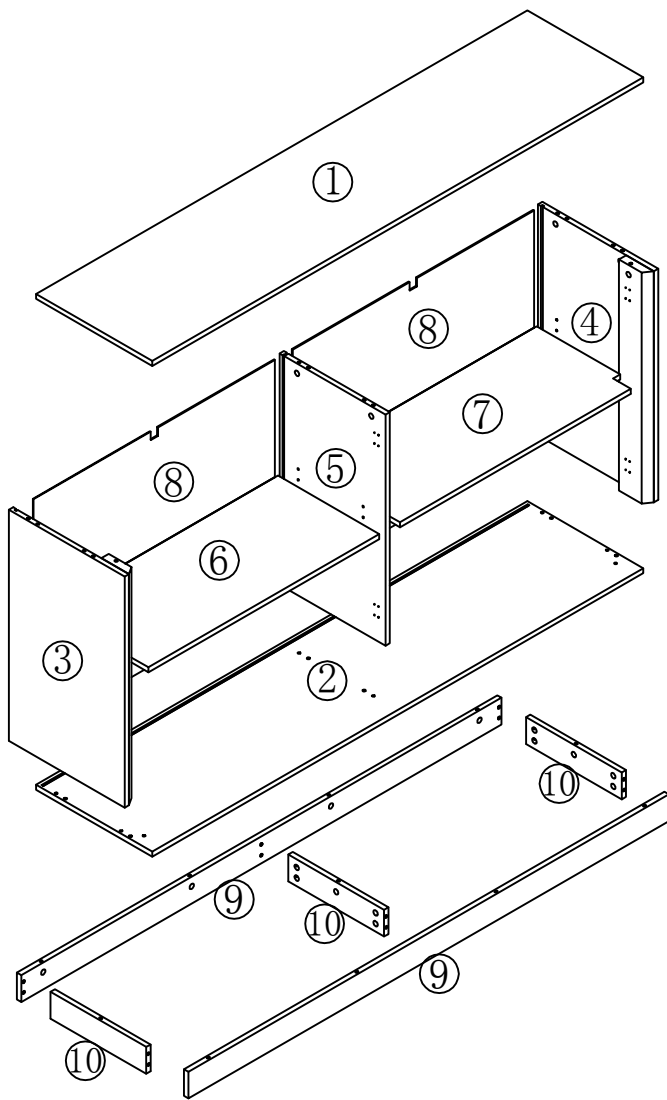


Assembly Instruction

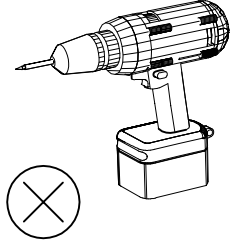
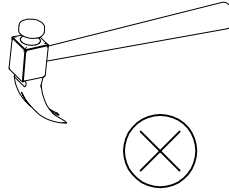
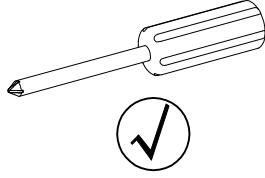
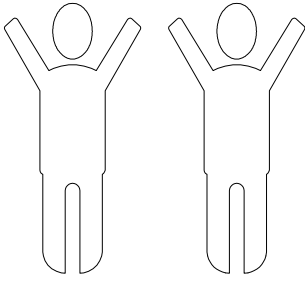
————— CBN139 —————



Parts List (EN)

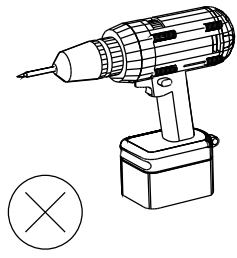
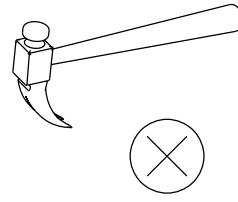
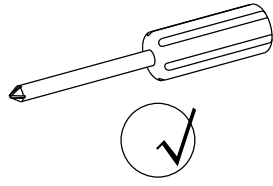
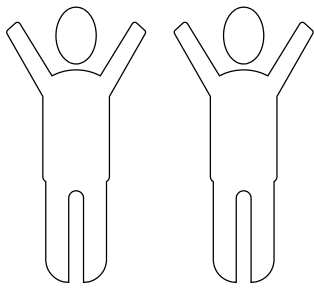


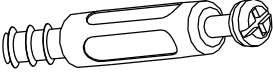

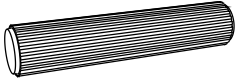
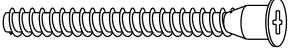
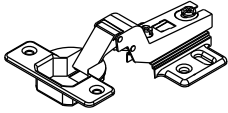
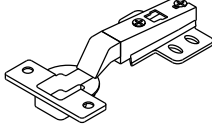
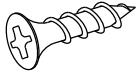
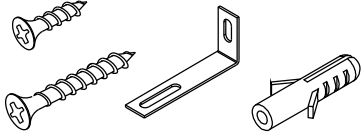
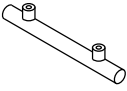
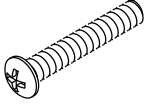
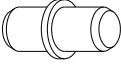
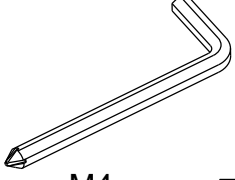
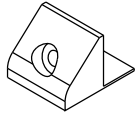

Parts List (EN)



<p>①</p> <p>1PCS</p>	<p>②</p> <p>1PCS</p>	<p>③</p> <p>1PCS</p>	<p>④</p> <p>1PCS</p>
<p>⑤</p> <p>1PCS</p>	<p>⑥</p> <p>1PCS</p>	<p>⑦</p> <p>1PCS</p>	<p>⑧</p> <p>2PCS</p>
<p>⑨</p> <p>2PCS</p>	<p>⑩</p> <p>3PCS</p>	<p>⑪</p> <p>2PCS</p>	<p>⑫</p> <p>2PCS</p>

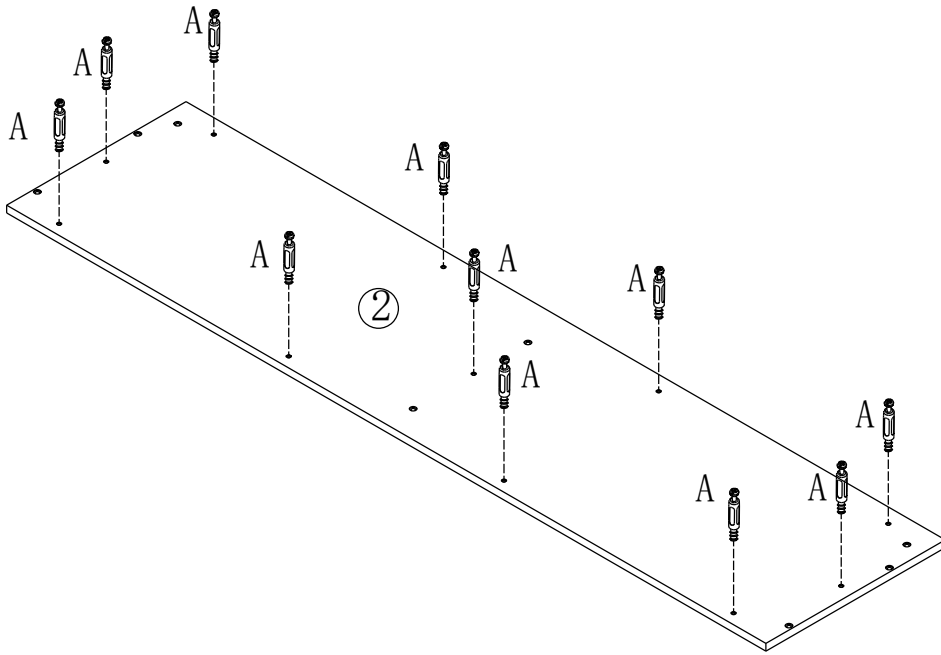
Parts List (EN)



<p>A</p>  <p>Ø6*35mm</p> <p>31+2PCS</p>	<p>B</p>  <p>Ø15*11.5mm</p> <p>31+2PCS</p>	<p>C</p>  <p>Ø8*30mm</p> <p>12+2PCS</p>
<p>D</p>  <p>ST5*50mm</p> <p>8+1PCS</p>	<p>E</p>  <p>Ø35mm</p> <p>4PCS</p>	<p>F</p>  <p>Ø35mm</p> <p>4PCS</p>
<p>G</p>  <p>Ø3.5*14mm</p> <p>60+5Pcs</p>	<p>H</p>  <p>2PCS</p>	<p>I</p>  <p>Handle</p> <p>4PCS</p>
<p>J</p>  <p>M4*20mm</p> <p>8+1 PCS</p>	<p>K</p>  <p>8+1 PCS</p>	<p>L</p>  <p>M4</p> <p>1 PCS</p>
<p>M</p>  <p>12+2 PCS</p>	<p>N</p>  <p>8+1PCS</p>	

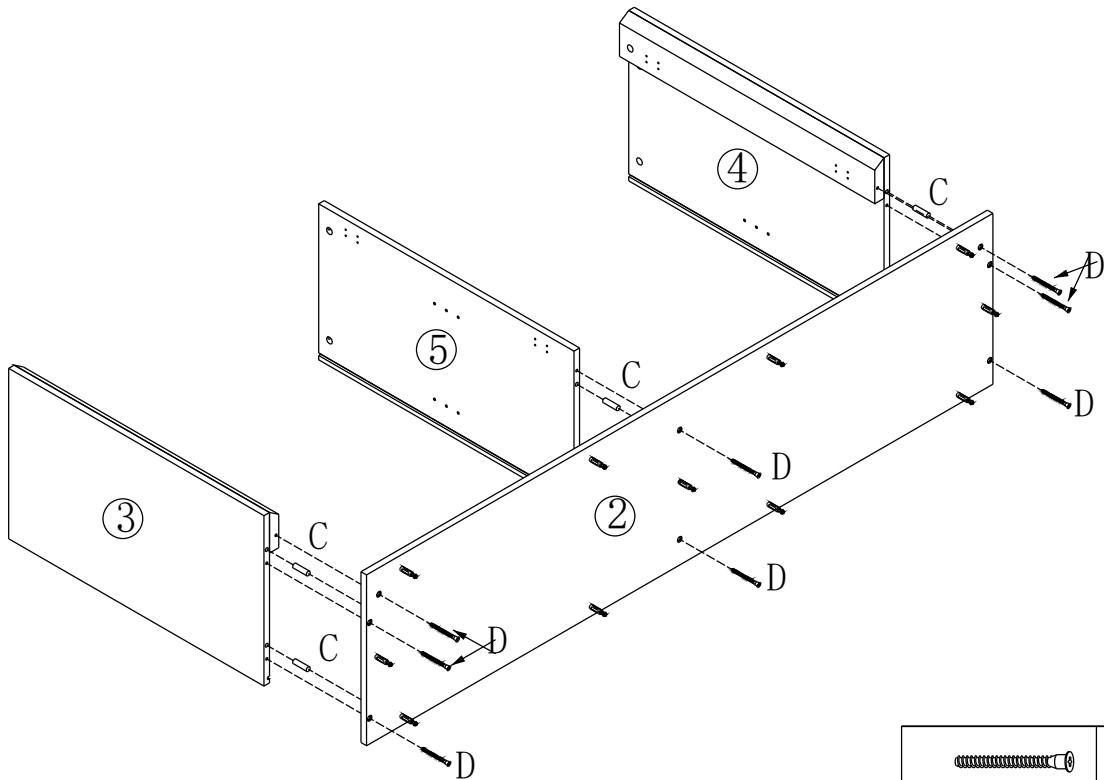
Assembly Steps (EN)

Step 1



Ax11pcs

Step 2



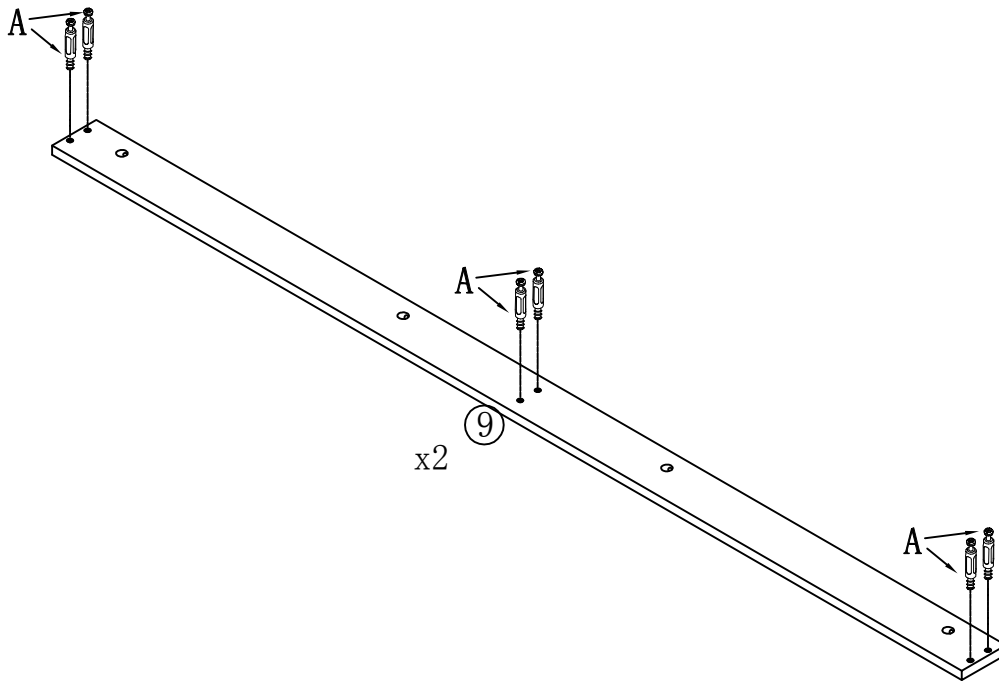
Dx8pcs



Cx6pcs

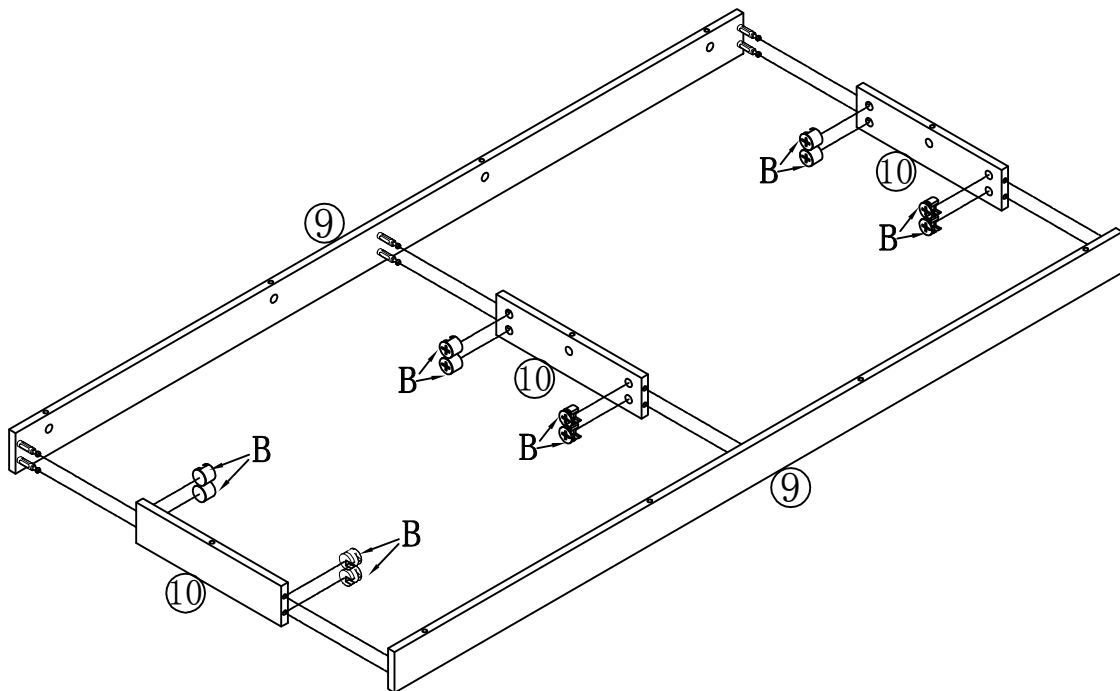
Assembly Steps (EN)

Step 3



Ax12pcs

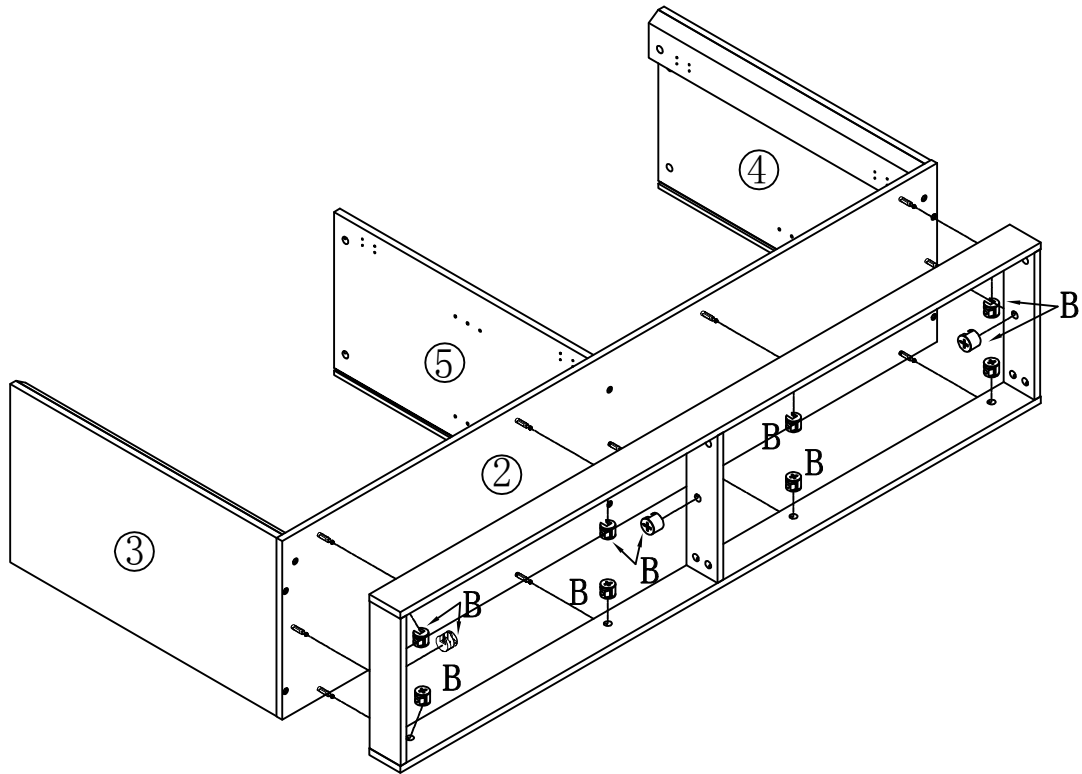
Step 4



Bx12pcs

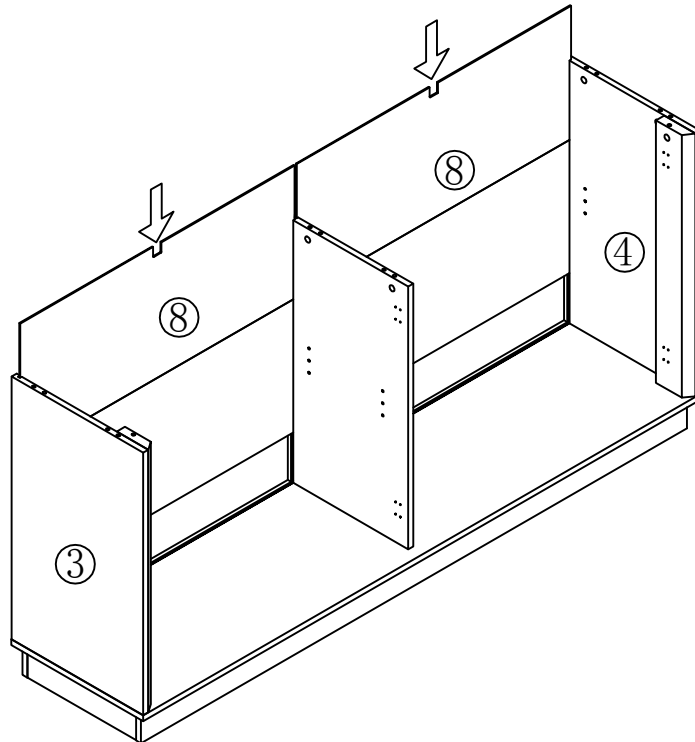
Assembly Steps (EN)

Step 5



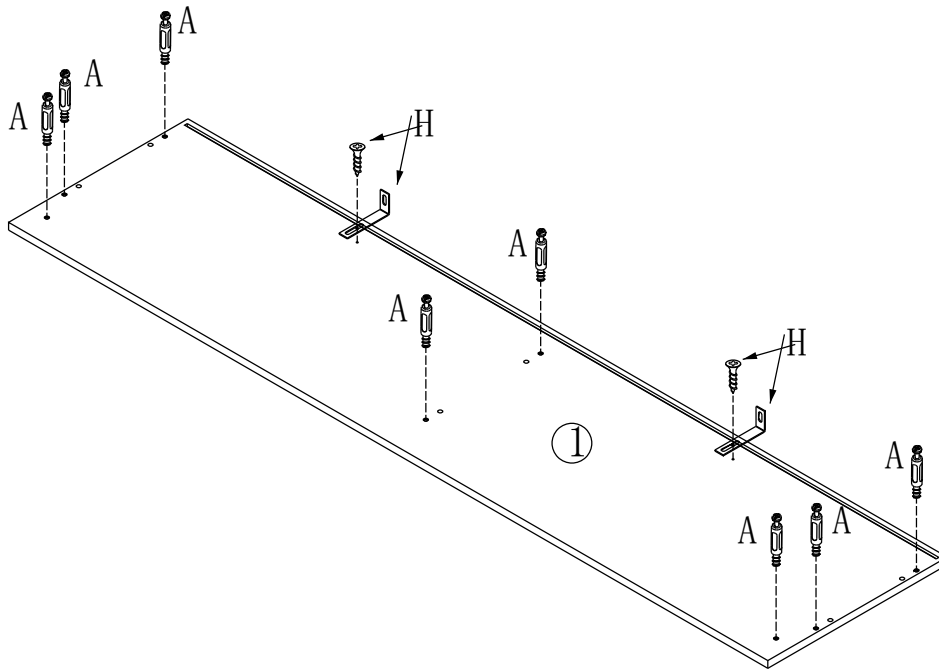
Bx11pcs



Step 6



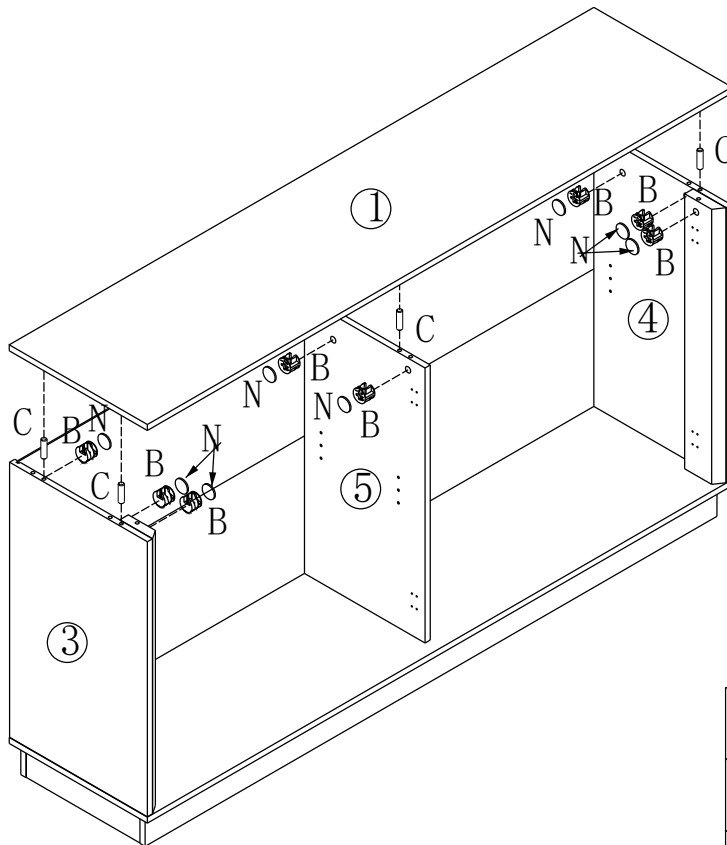
Assembly Steps (EN)




Step 7



	Hx2pcs
	Ax8pcs

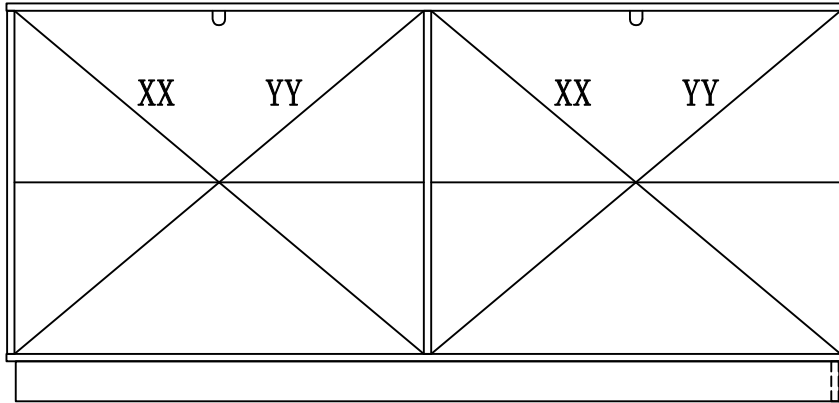
Step 8



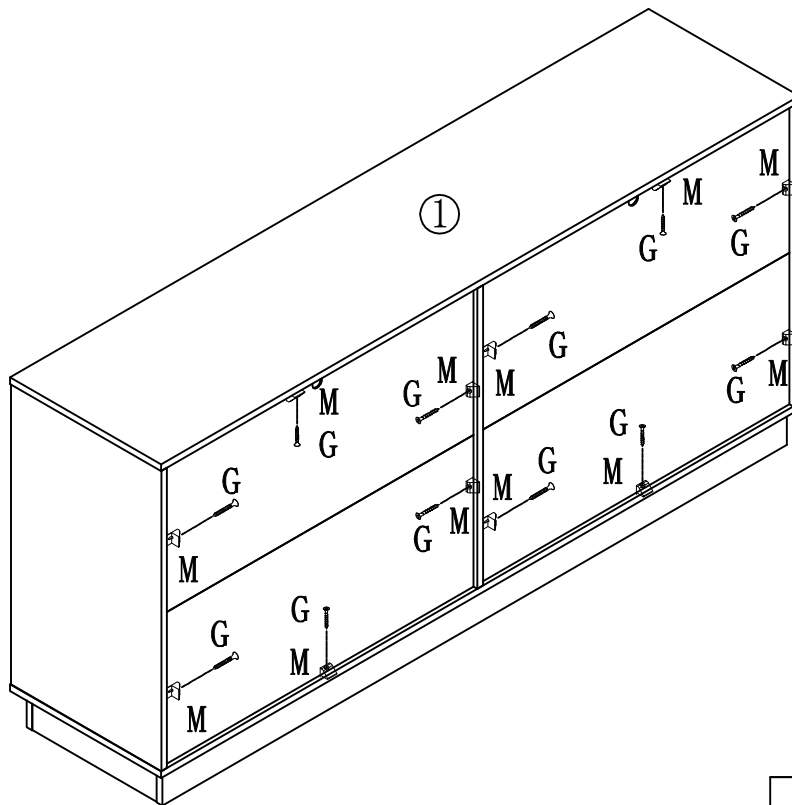
	Nx8pcs
	Cx6pcs
	Bx8pcs



Assembly Steps (EN)

Step 9



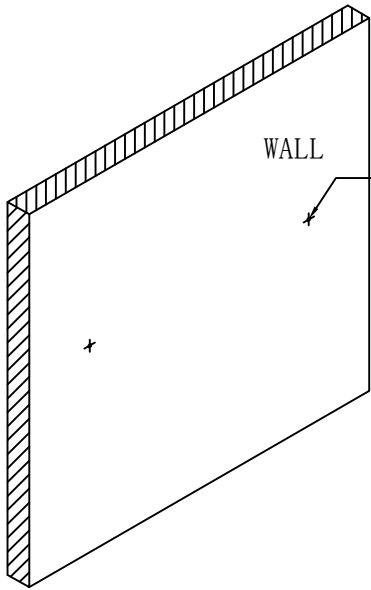
XX=YY



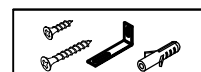
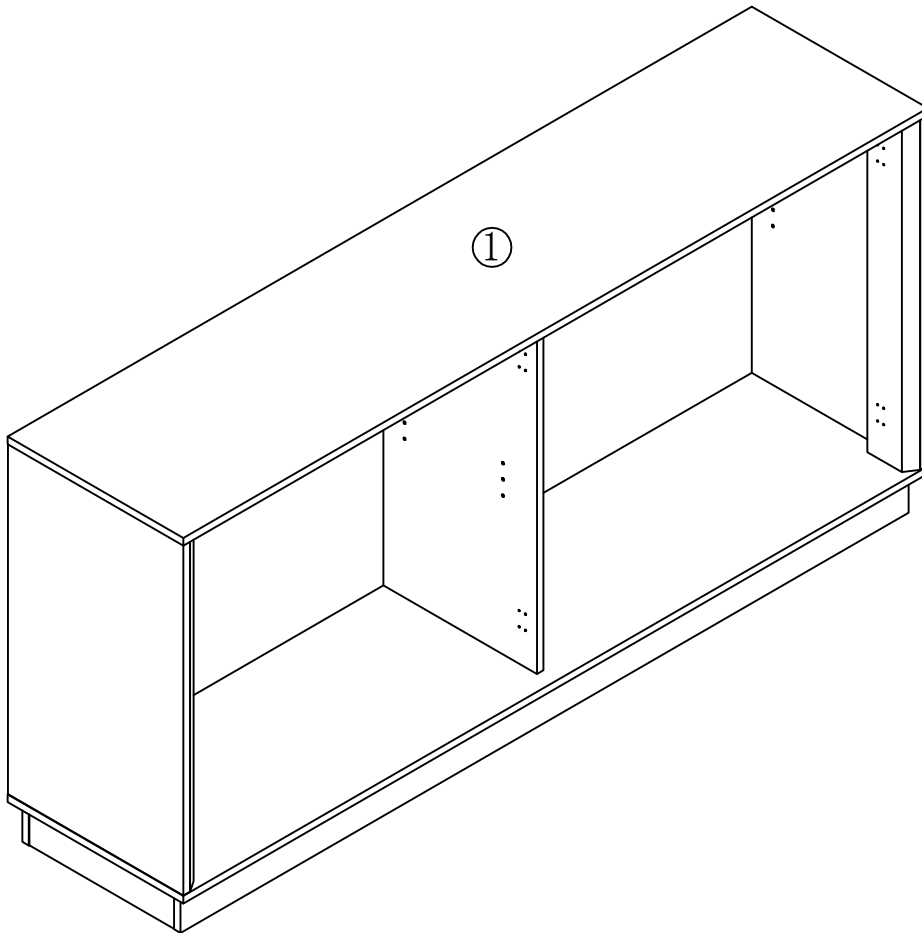
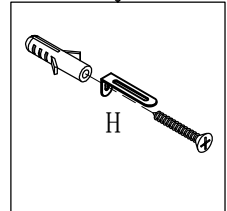
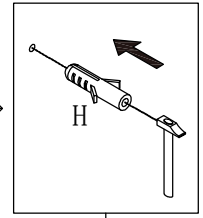
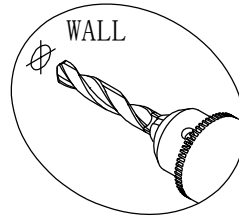
	Mx12pcs
	Gx12pcs

Assembly Steps (EN)

Step 10



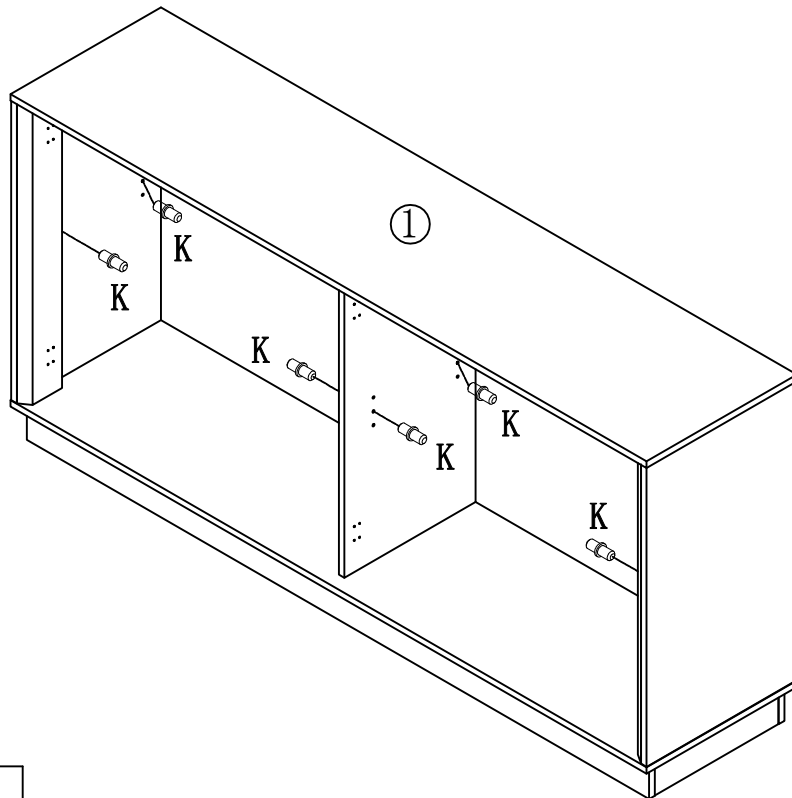
Hole: 2-Ø6*40mm



Hx2pcs

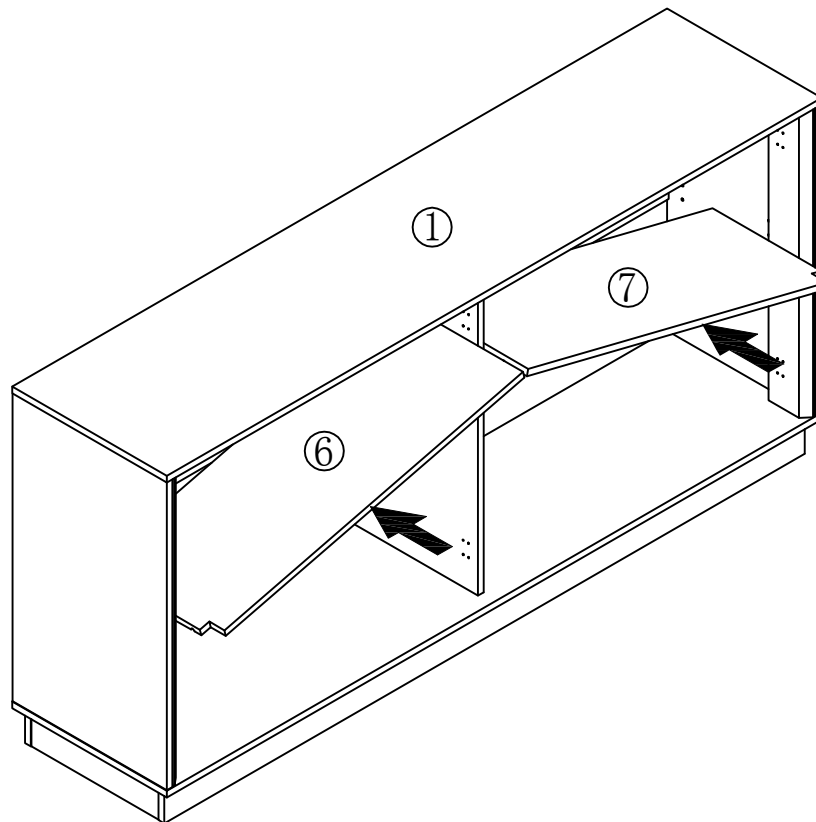
Assembly Steps (EN)

Step 11



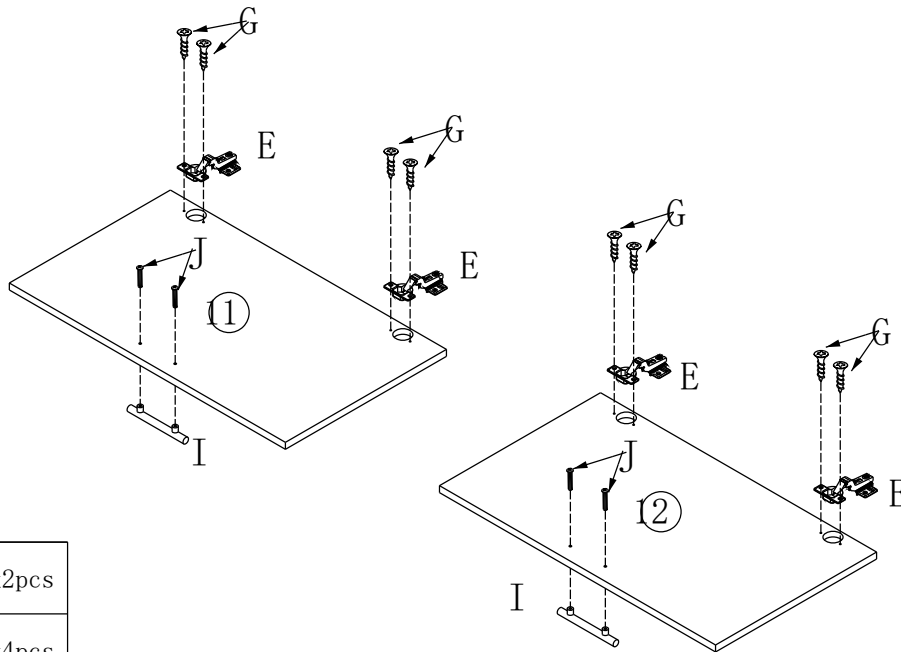
Kx8pcs

Step 12



Assembly Steps (EN)

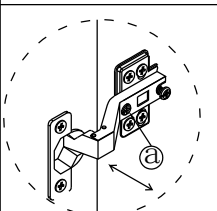
Step 13



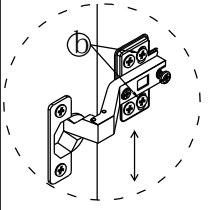
	Ix2pcs
	Jx4pcs
	Ex4pcs
	Gx8pcs

Step 14

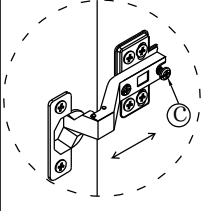
DOOR FITTING



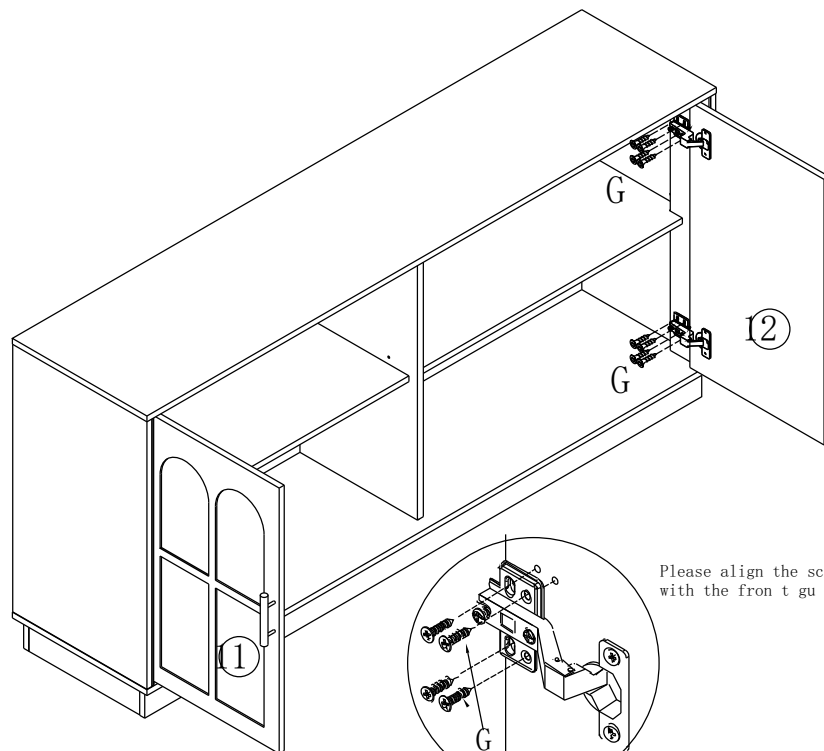
To adjust in width



To adjust in height



To adjust in depth

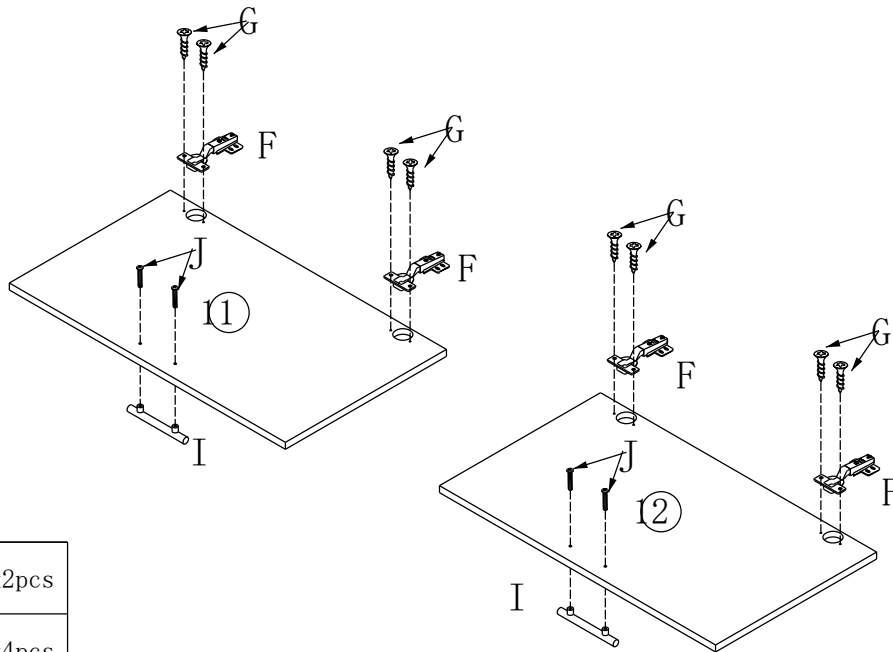


Please align the screw with the front guide hole

	Gx16pcs
--	---------

Assembly Steps (EN)

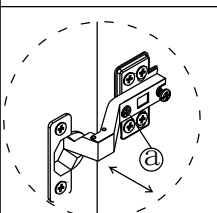
Step 13



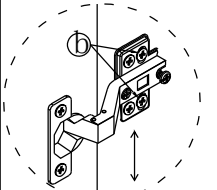
	Ix2pcs
	Jx4pcs
	Fx4pcs
	Gx8pcs

Step 14

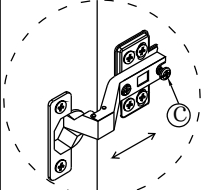
DOOR FITTING



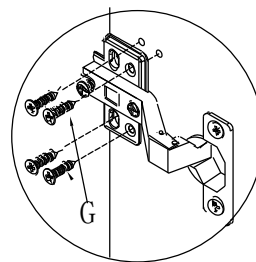
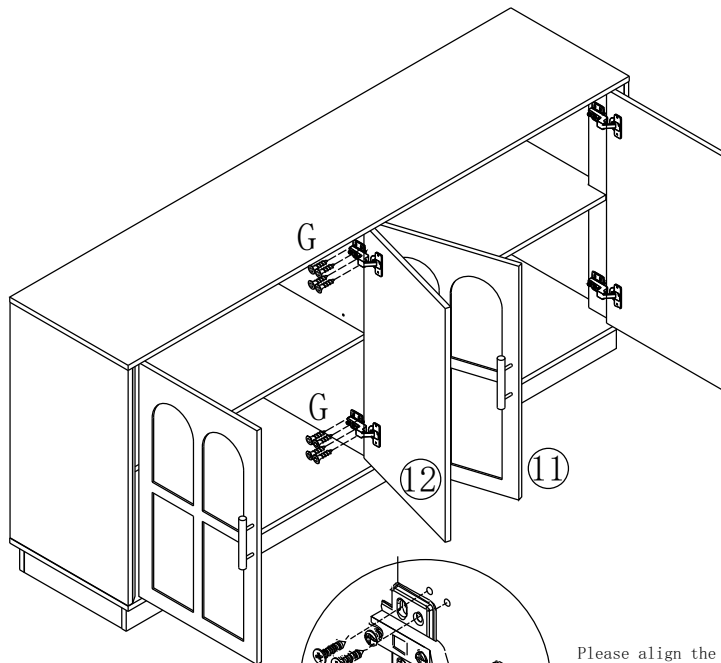
To adjust in width



To adjust in height



To adjust in depth



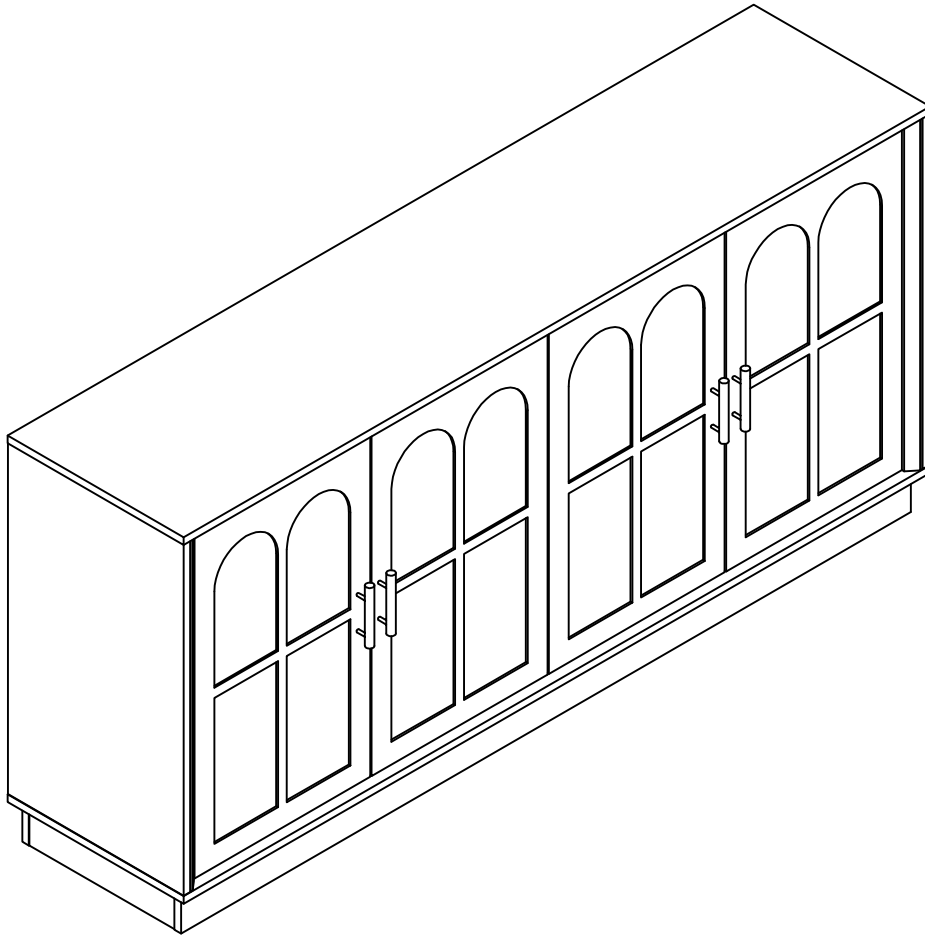
Please align the screw with the front guide hole

x4

	Gx16pcs
--	---------

Assembly Steps (EN)

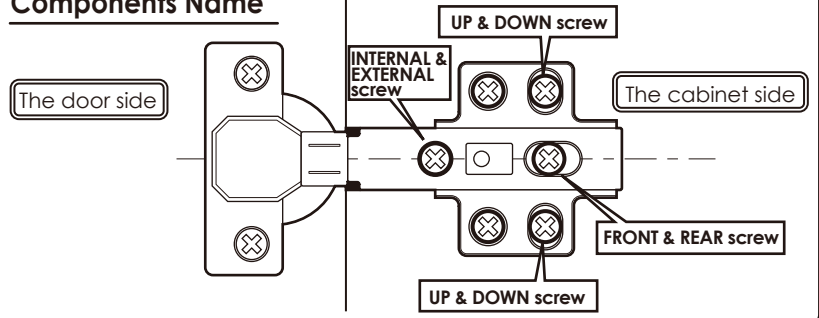
Step 16



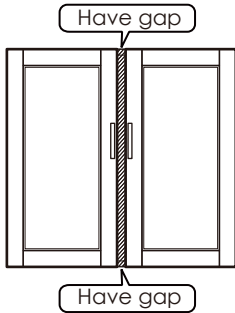
The ways to adjust the door

- Before adjusting the hinge, please check whether the cabinet is skewed.
- If the skew can not be repaired, please remove the anti-tipping device first, then adjust the cabinet to vertical position.
- Please adjust the hinge with the door open.
- Please operate it with more than 2 people, one person holds the door and the other one adjusts the screw.

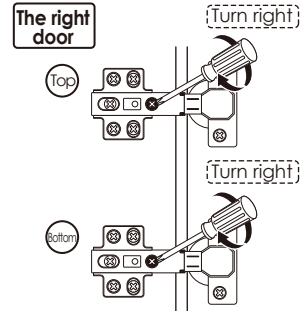
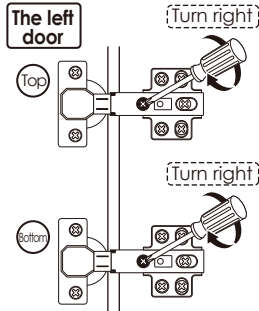
Components Name



Obvious gaps between doors or Doors don't look closed



- 1 Turn "internal & external screw" to the right can make the door approach inside. Please adjust the doors little by little.

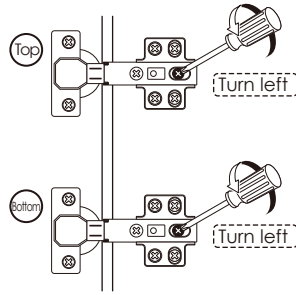


※ If the 2 doors are overlap, please turn the "internal & external screw" to the left.

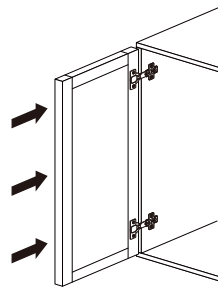
When door is crooked



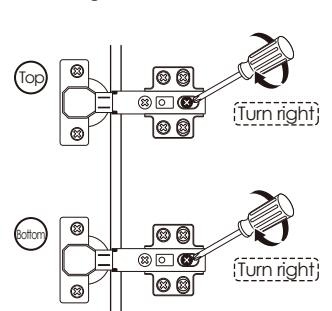
- 1 Rotate the "front and rear screws" to the left



- 2 Push the door to the cabinet



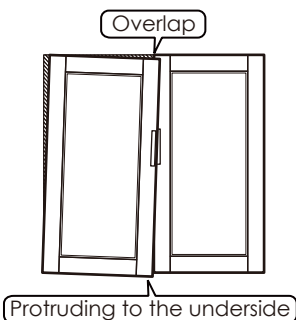
- 3 Rotate the "front and rear screws" to the right



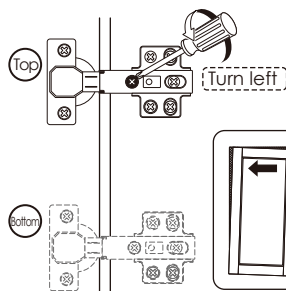
Please take the following steps to adjust first.

※ After adjusting the "front and rear screw", the door still does not change, please turn the "internal & external screw" to the right slightly.

When door is leaning



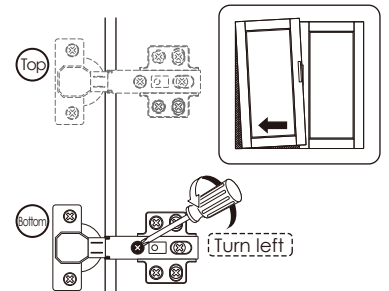
- 1 Turn "internal & external screw" to the left can make the top of the door tilted outward.



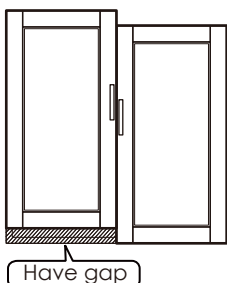
Protruding to the upside



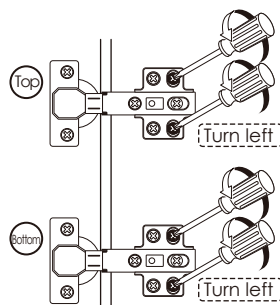
- 1 Turn "internal & external screw" to the left can make the bottom of the door tilted outward.



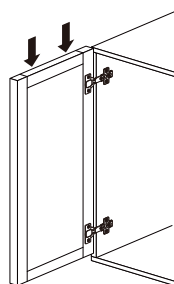
When the door is higher on top



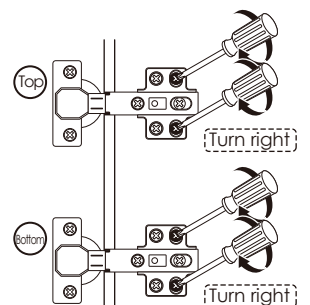
- 1 Turn "up & down screw" to the left



- 2 Lower the door's height so that 2 doors are of the same height.



- 3 Turn "up & down screw" to the right



※ If the door is lower on bottom, please lift up the left door slightly on step 2