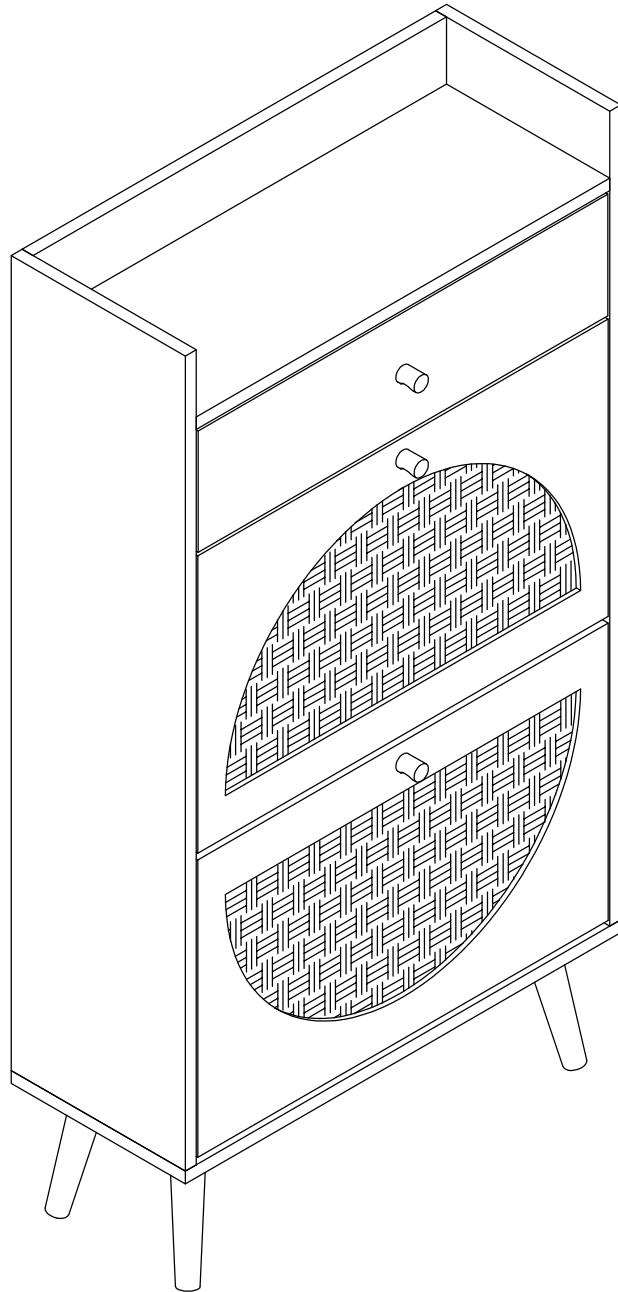


Installation Instruction



Product name

Shoe Cabinet

Assembling

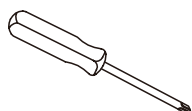
Estimated time for assembly



40:00

What you need

- Use the packaging carton as a working surface to prevent product damage during assembly
- Phillips head screwdriver



Weight Limitation



30

lbs table top

| 11

lbs per drawer

| 11

lbs per shelf

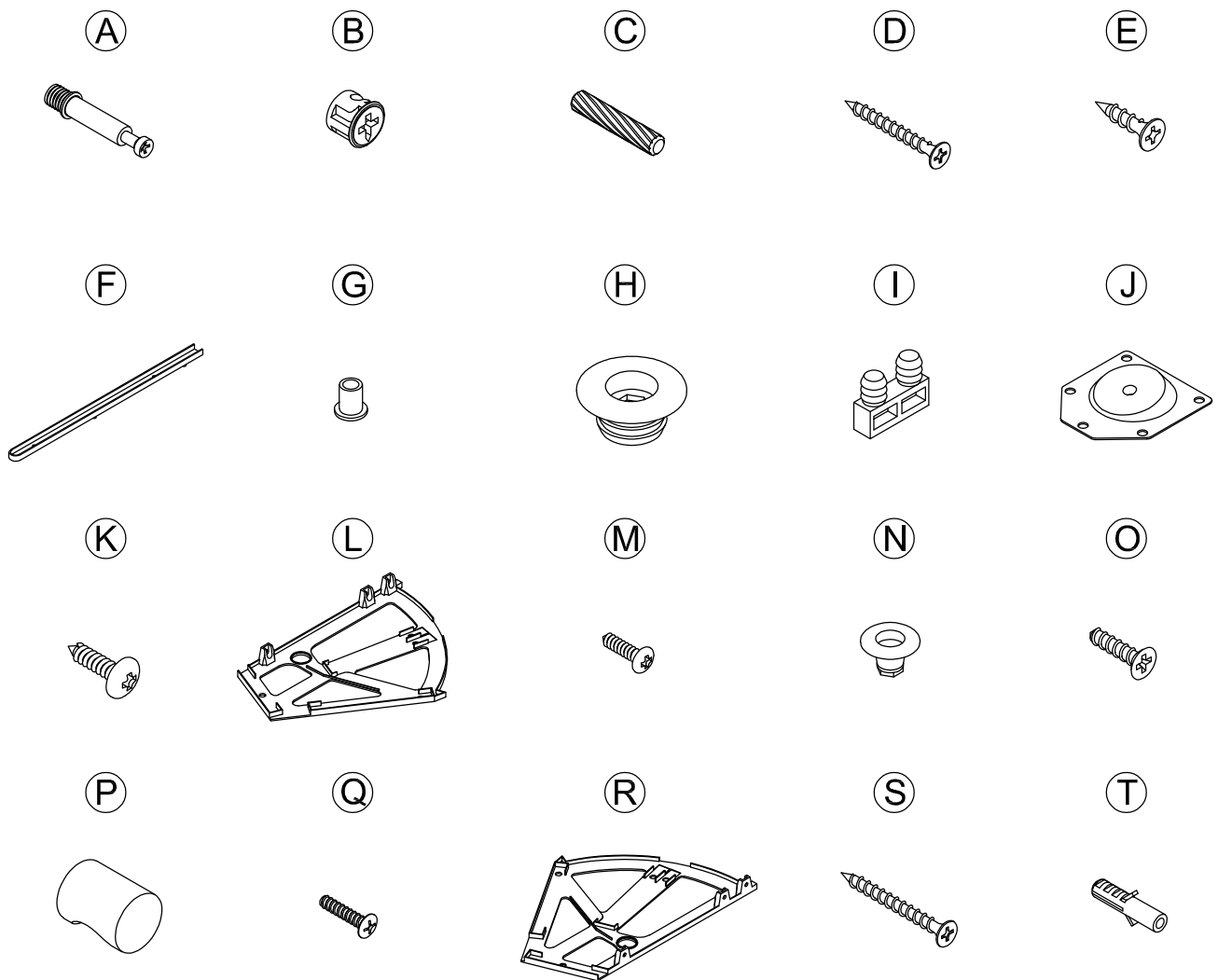


2 PERSONS

What's included

Code	Description	Qty
A	Cam Bolt M6X35MM	16
B	Cam Lock 15X10MM	16
C	Wooden Dowel M8X30MM	14
D	Screw M4X35MM	8
E	Screw M3.5X12MM	4
F	Slide	2
G	Drawer Plastic Stopper	2
H	Inner Shaft	4
I	Plastic Stopper	4
J	Metal Pin	4
K	Screw M4X14MM	20
L	Left Plastic Holder	2
M	Screw M4X12MM	4
N	External shaft	4
O	Screw M4X14MM	24
P	Handle	3
Q	Screw M4X20MM	3
R	Right Plastic Holder	2
S	Screw M4X45MM	2
T	Anchor M6X30MM	2

The Hardwares



IMPORTANT:

1. Do not tighten bolts / screws completely until all bolts / screws are lined up and inserted into holes.
2. Do not over tighten screws and bolts to avoid stripping.
3. Please use hand tools to assemble this product. Do not use power tools.
4. Must need 2 people to assemble this product.

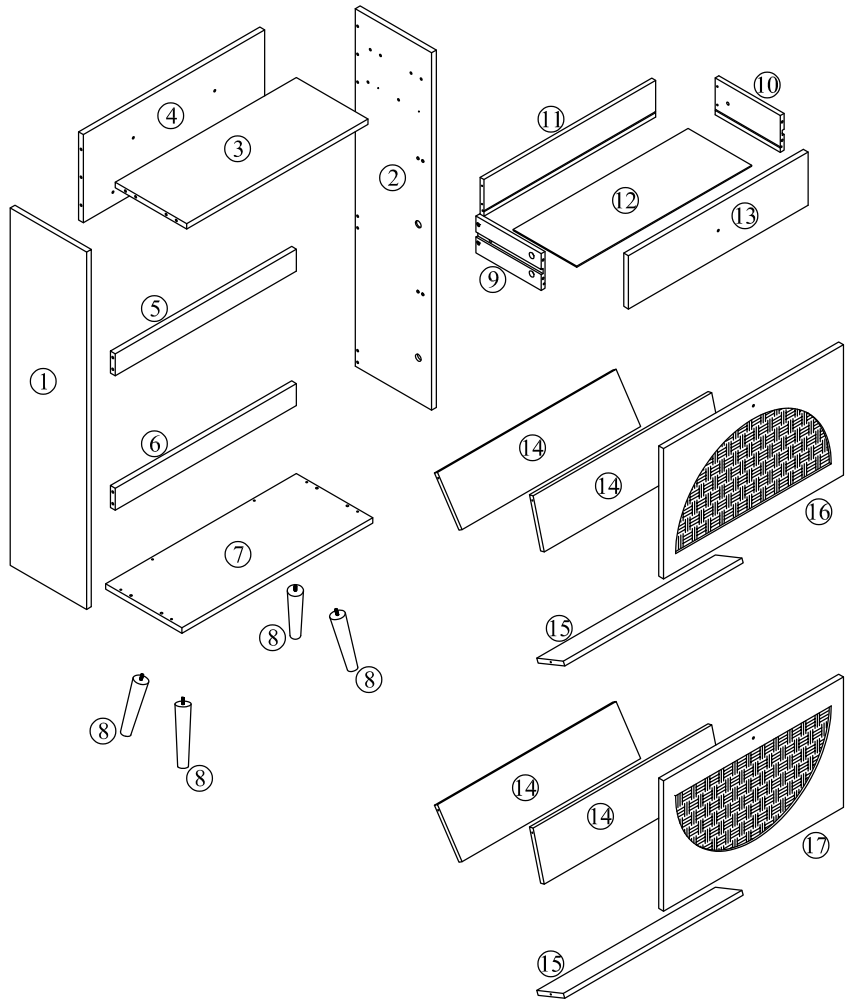


2 PERSONS

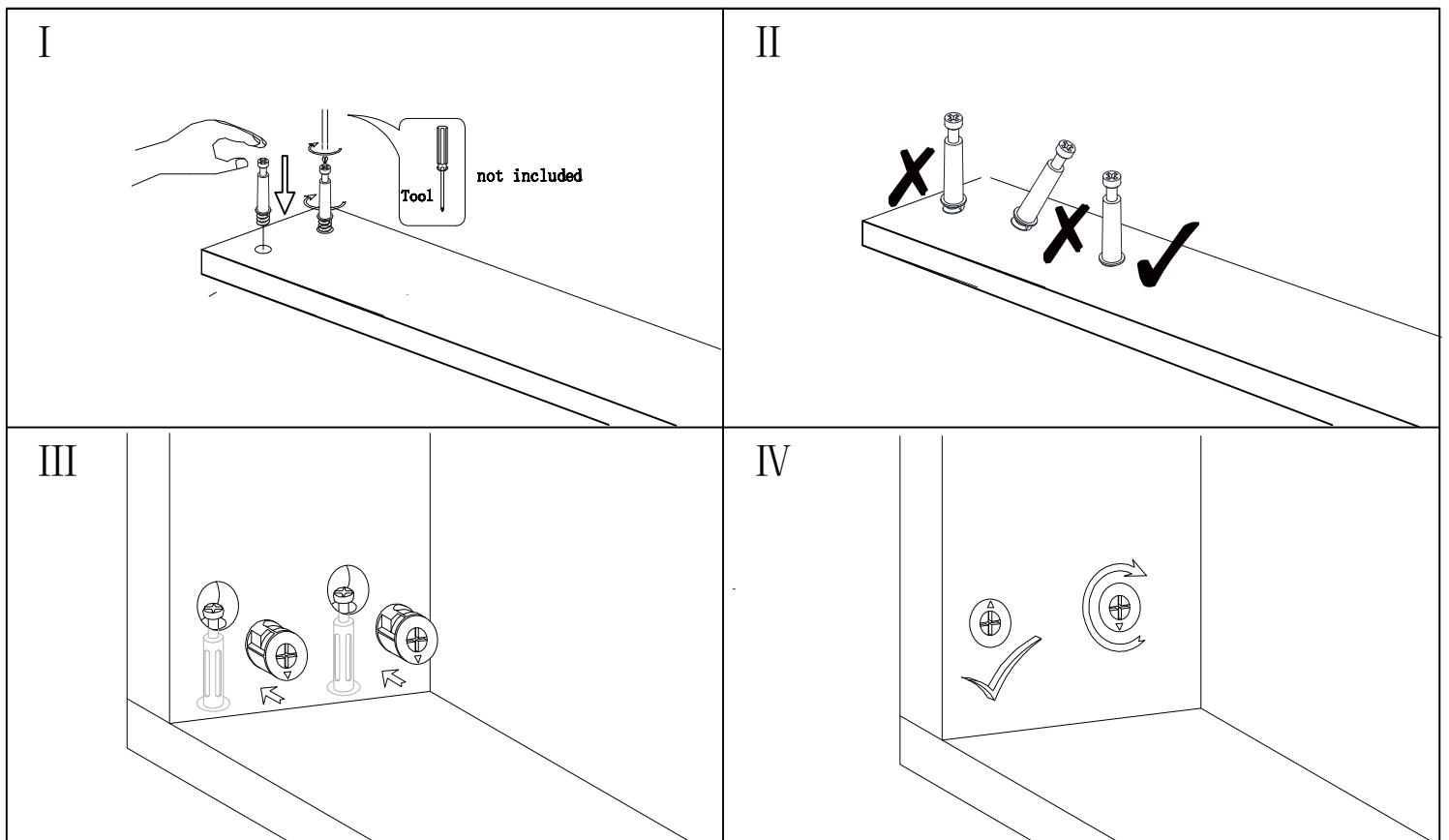
Included Accessories

Code	Description	Qty
1	Left Side Panel	1
2	Right Side Panel	1
3	Cabinet Top	1
4	Back Panel	1
5	Top Back Stretcher	1
6	Lower Back Stretcher	1
7	Bottom Panel	1
8	Feet	4
9	Drawer Left Side Panel	1
10	Drawer Right Side Panel	1
11	Drawer Back Panel	1
12	Drawer Bottom Panel	1
13	Drawer Front Panel	1
14	Large Partition Board	4
15	Small Partition Board	2
16	Top Front Panel	1
17	Lower Front Panel	1

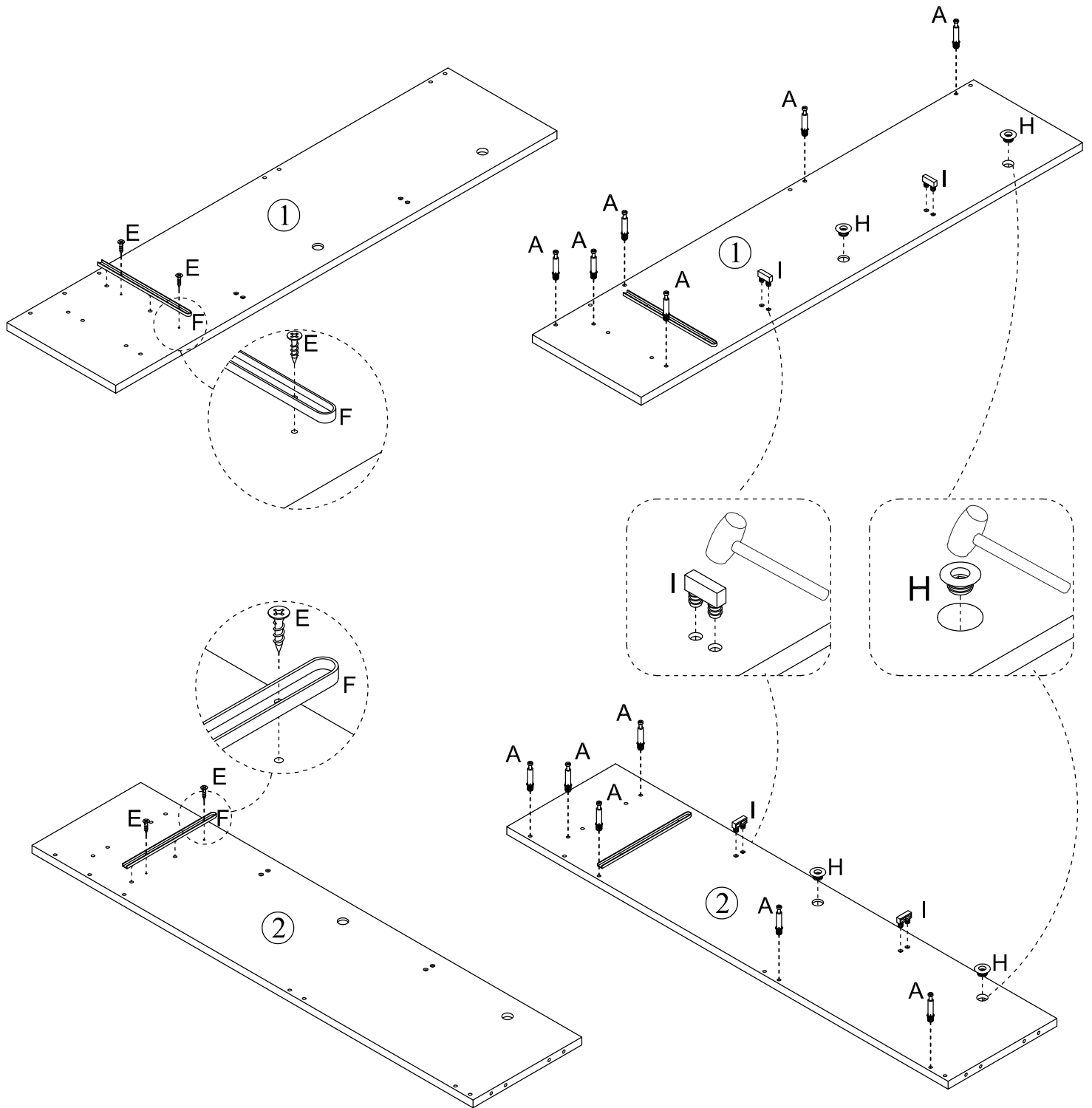
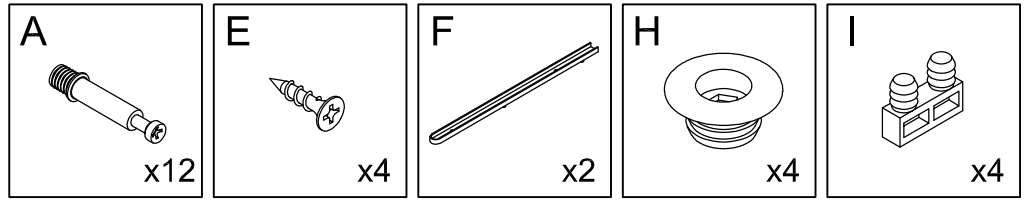
The Accessoriess



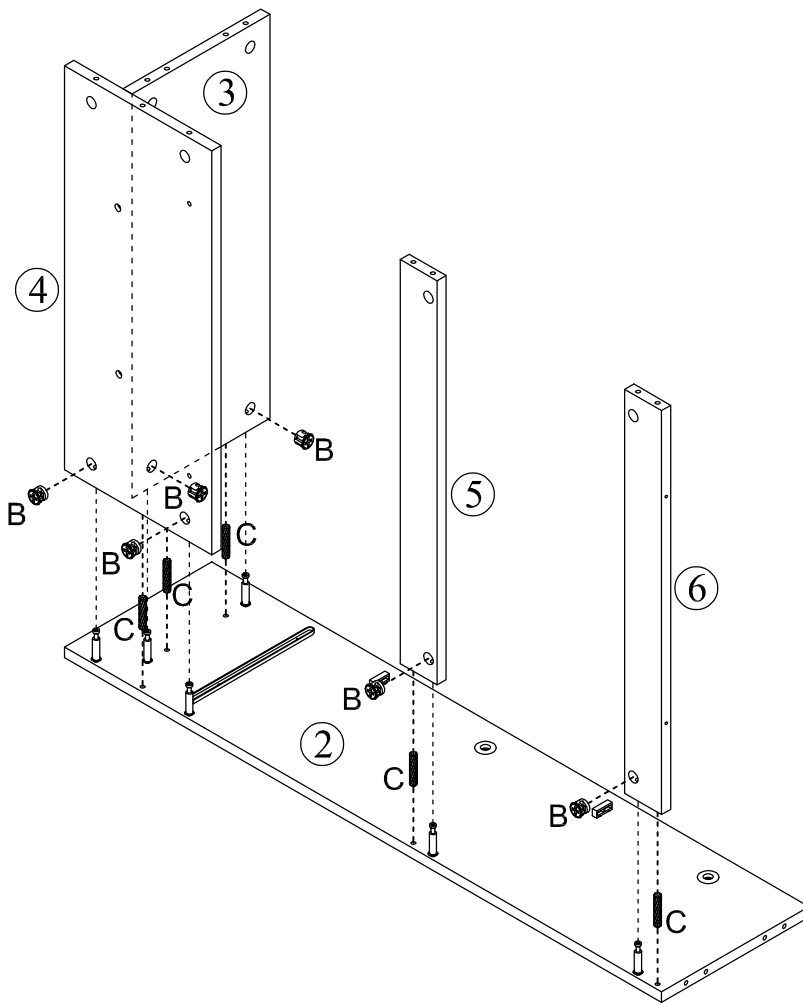
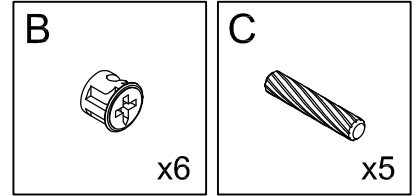
Noted :



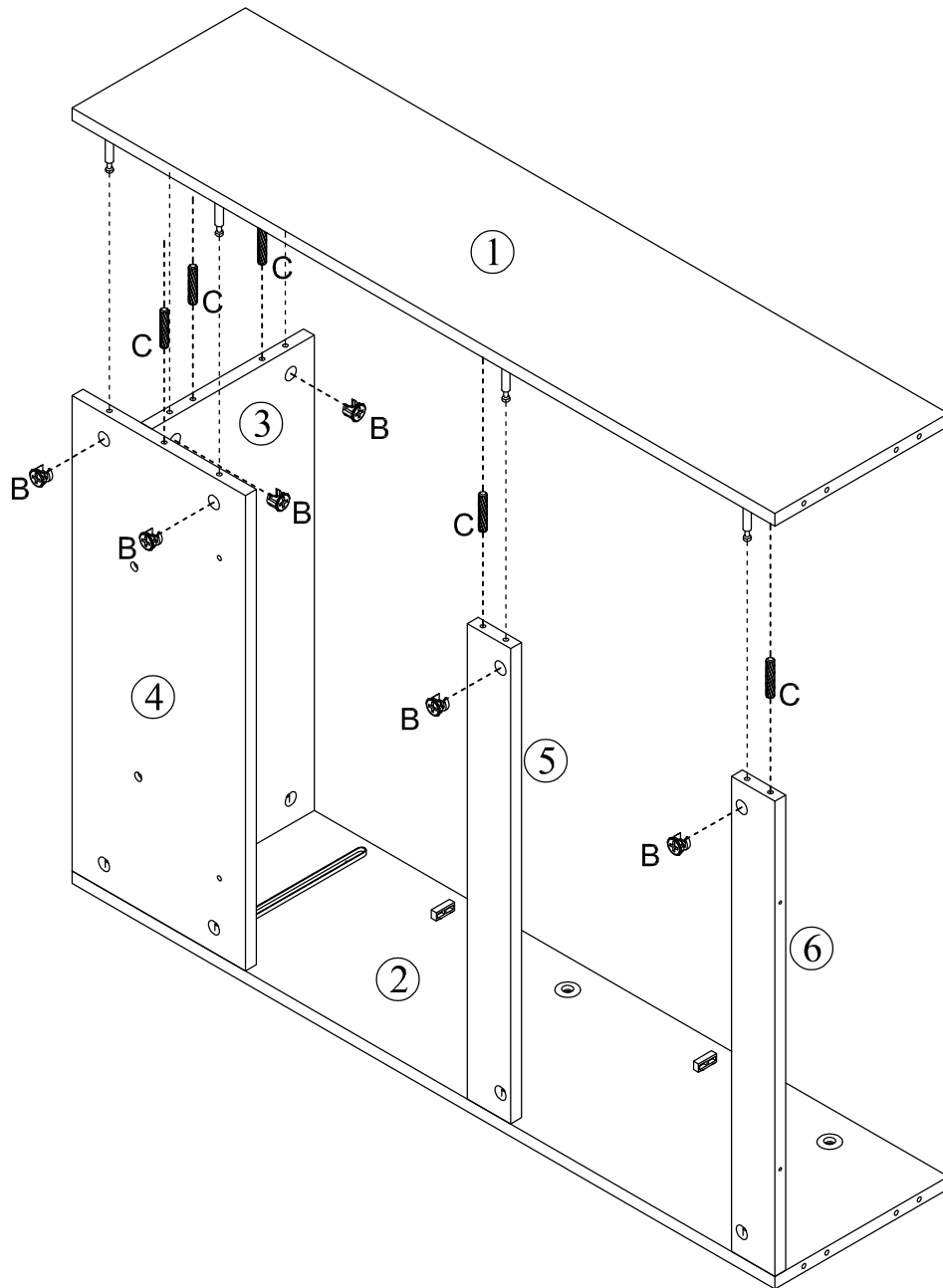
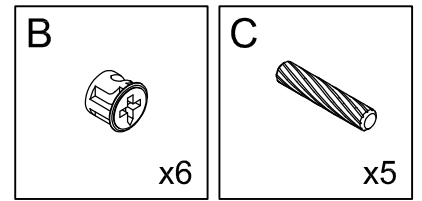
STEP 1



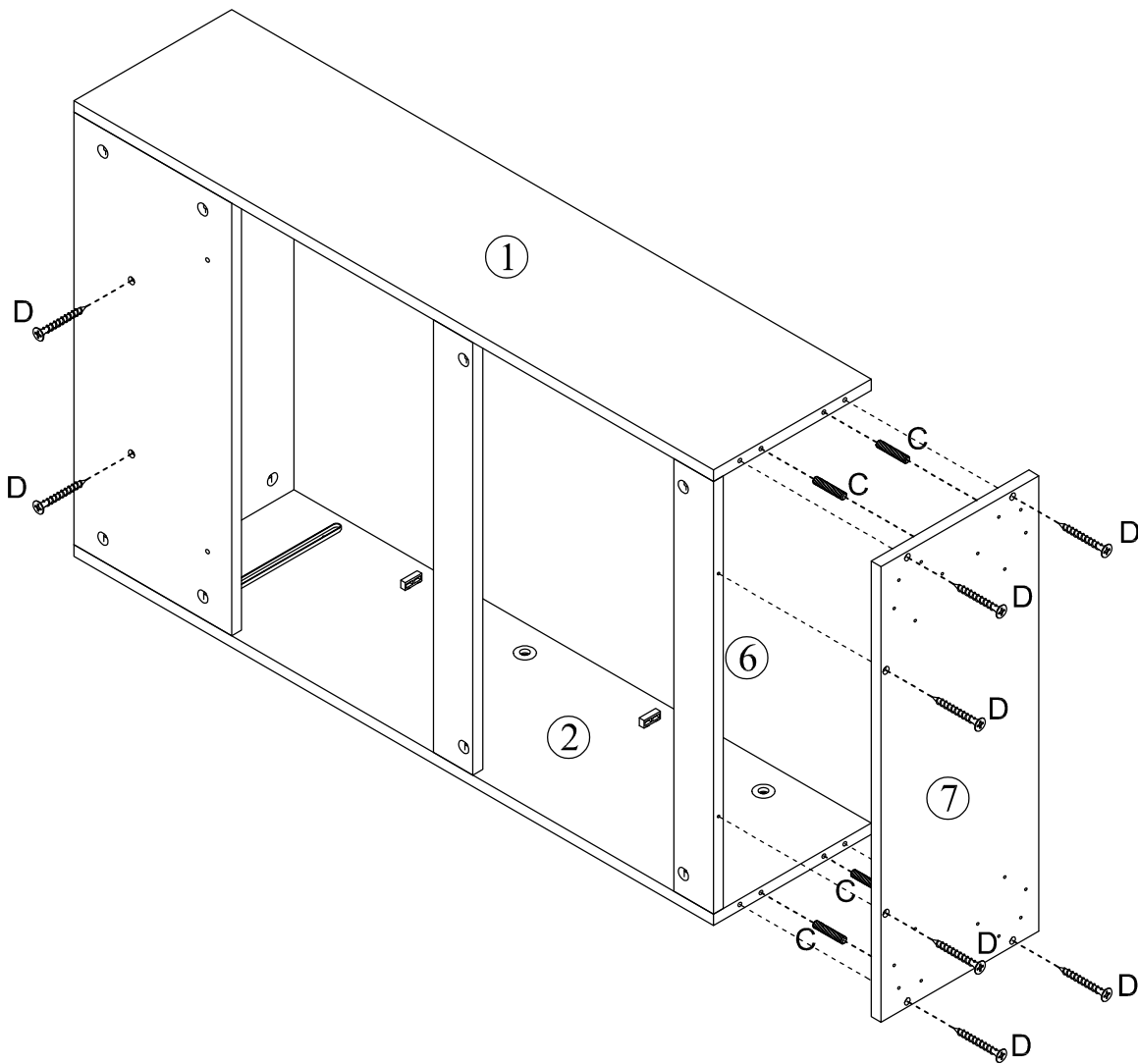
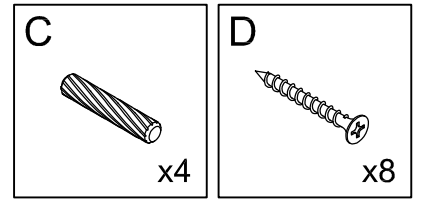
STEP 2



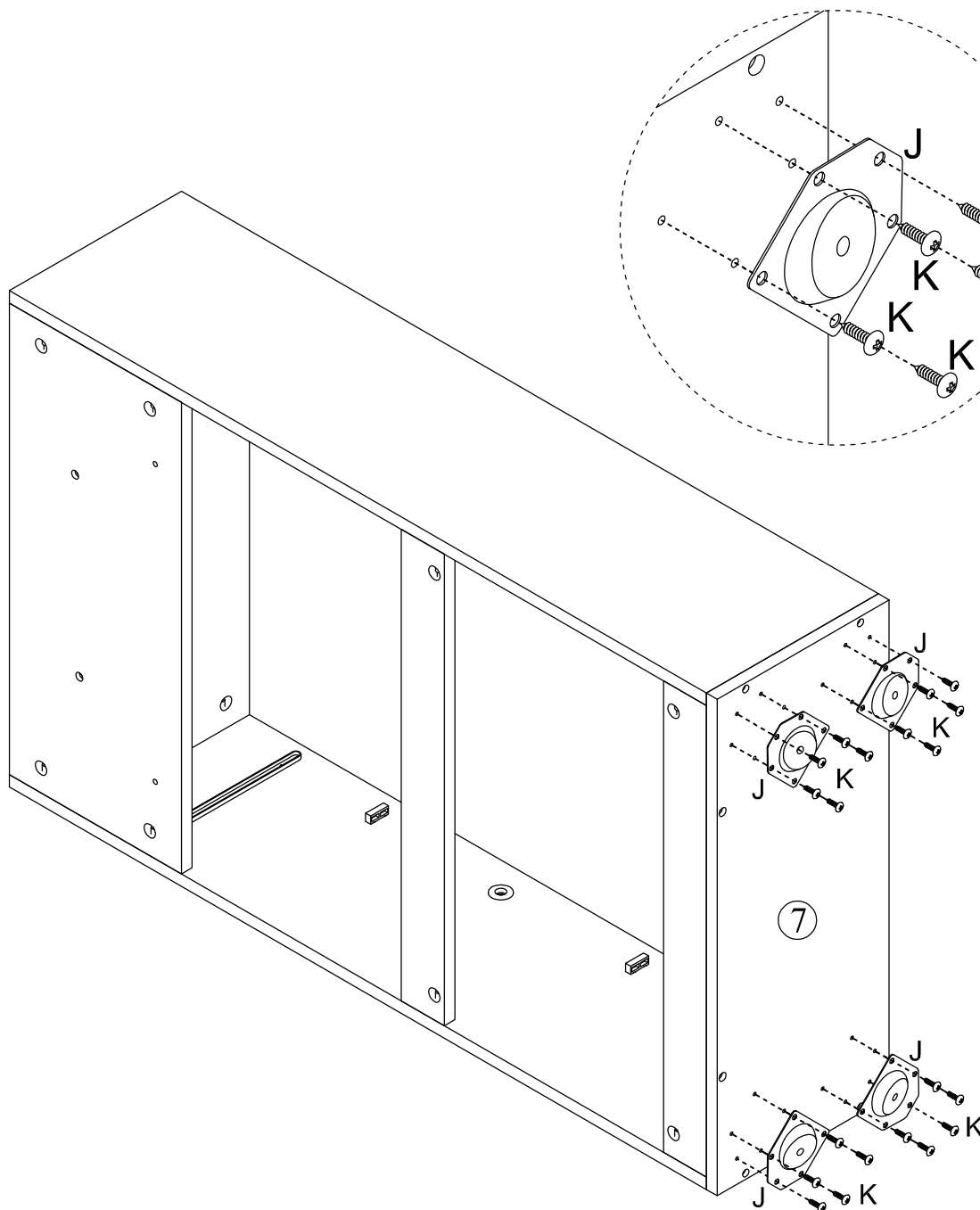
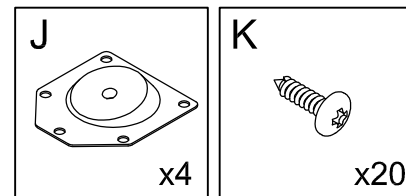
STEP 3



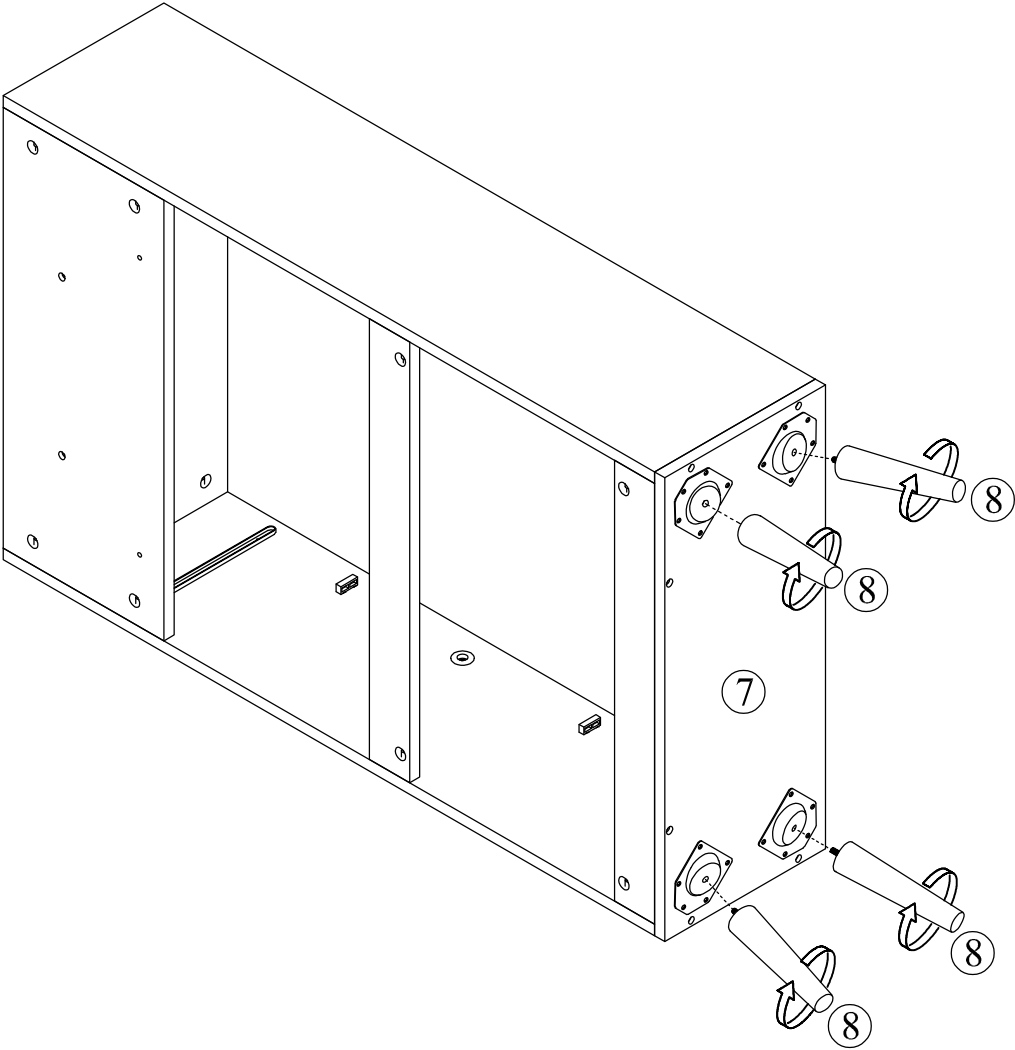
STEP 4



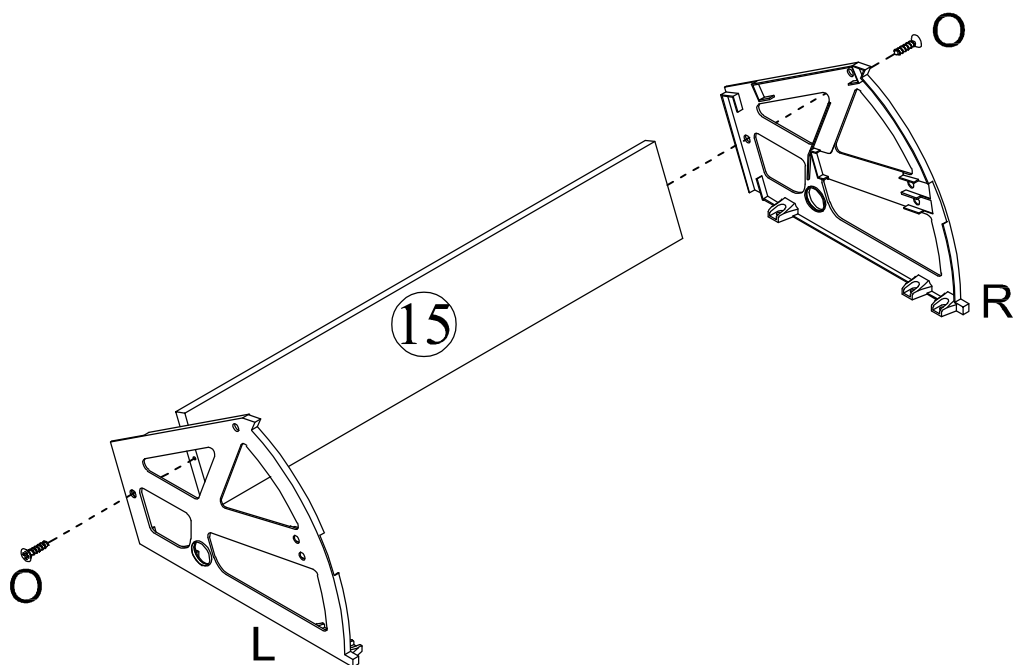
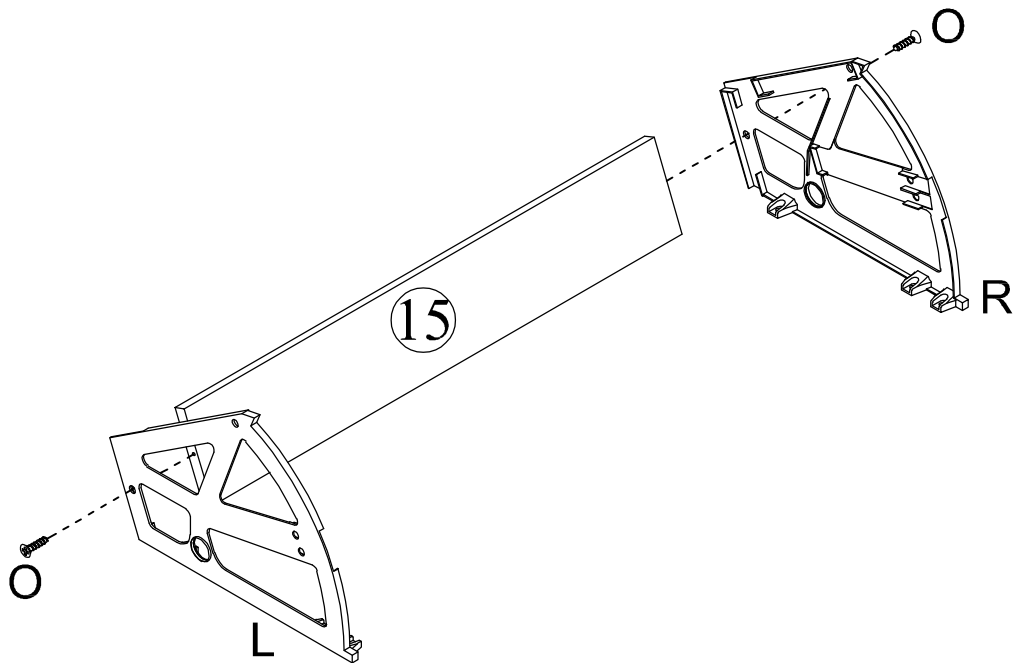
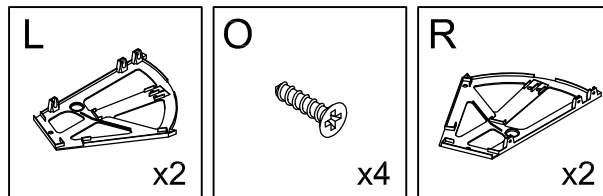
STEP 5



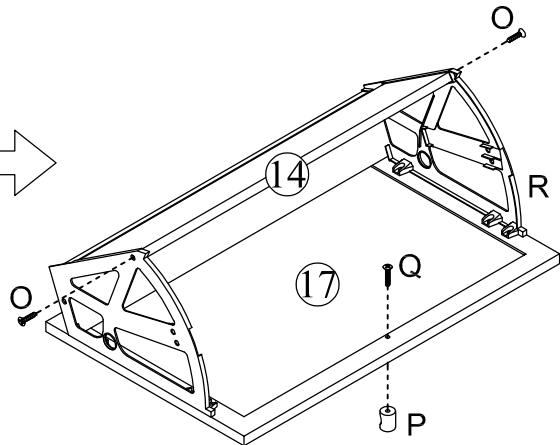
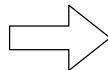
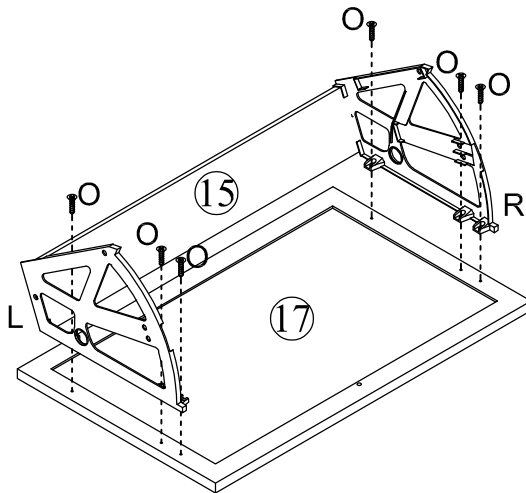
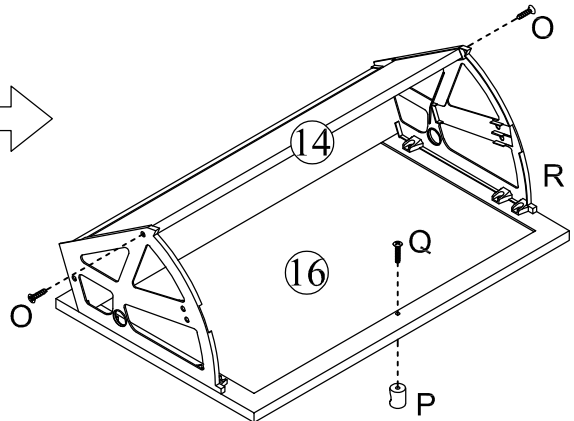
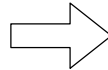
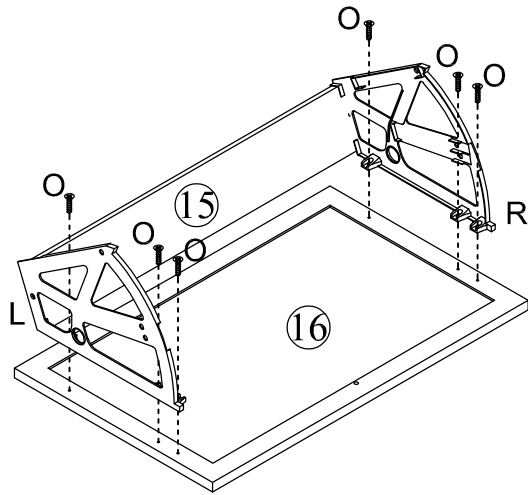
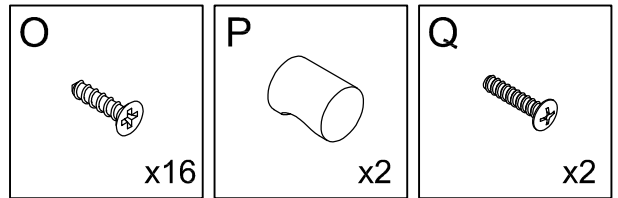
STEP 6



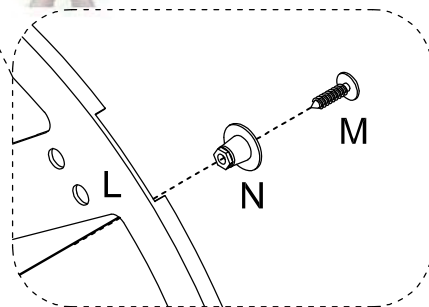
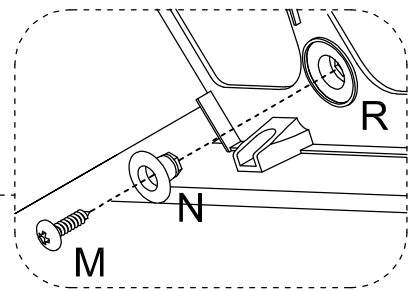
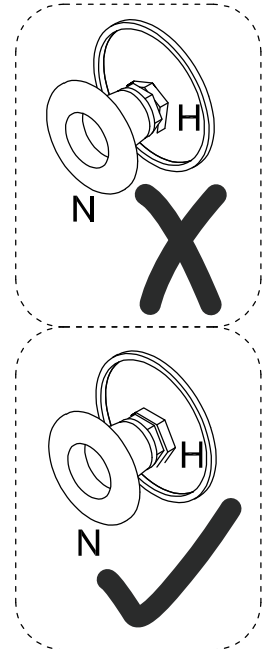
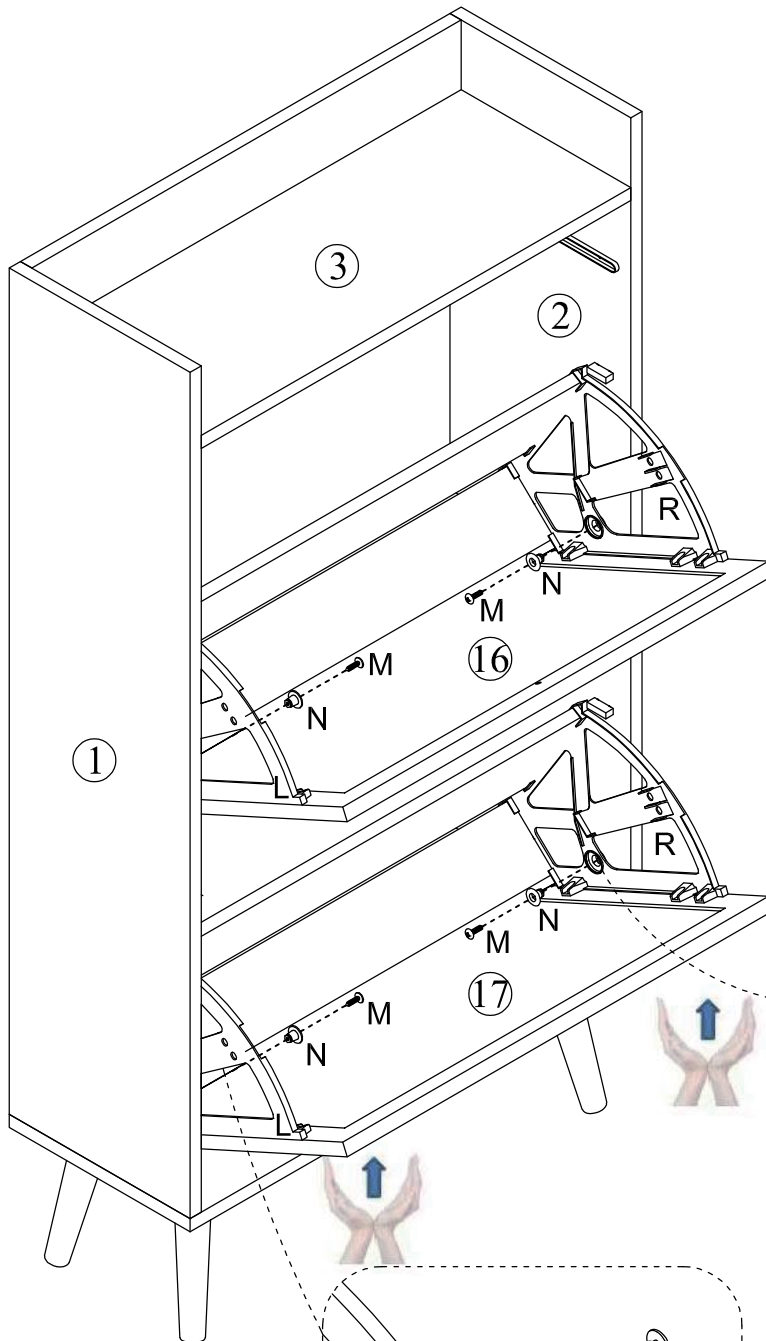
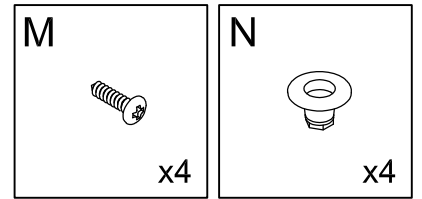
STEP 7



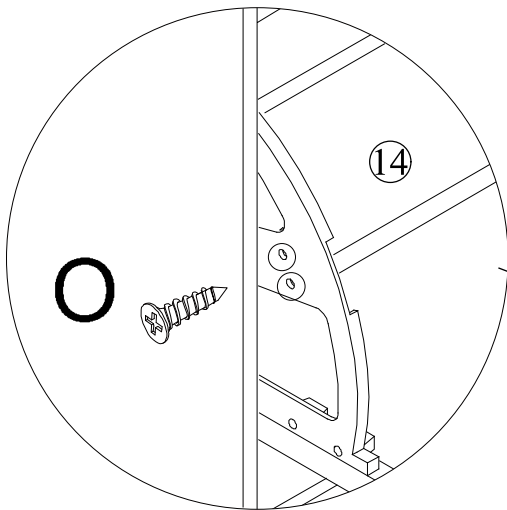
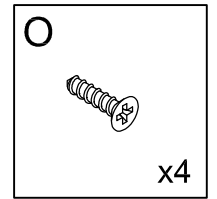
STEP 8



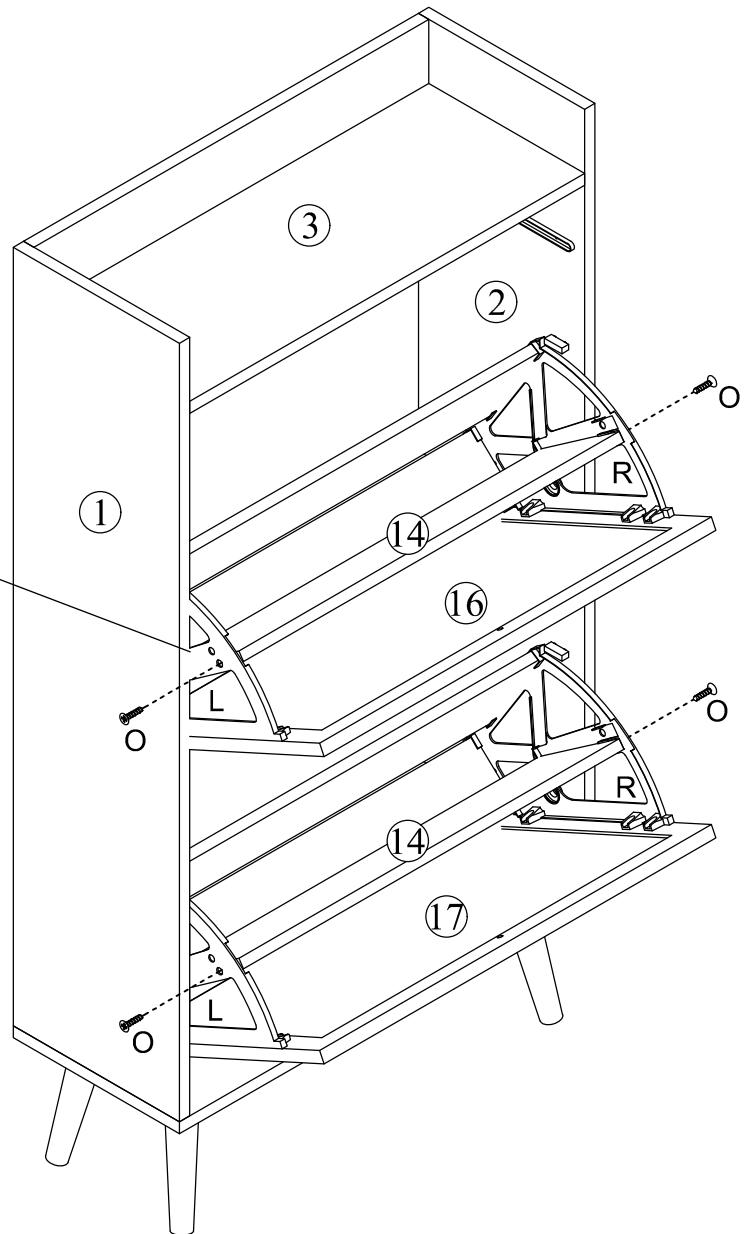
STEP 9



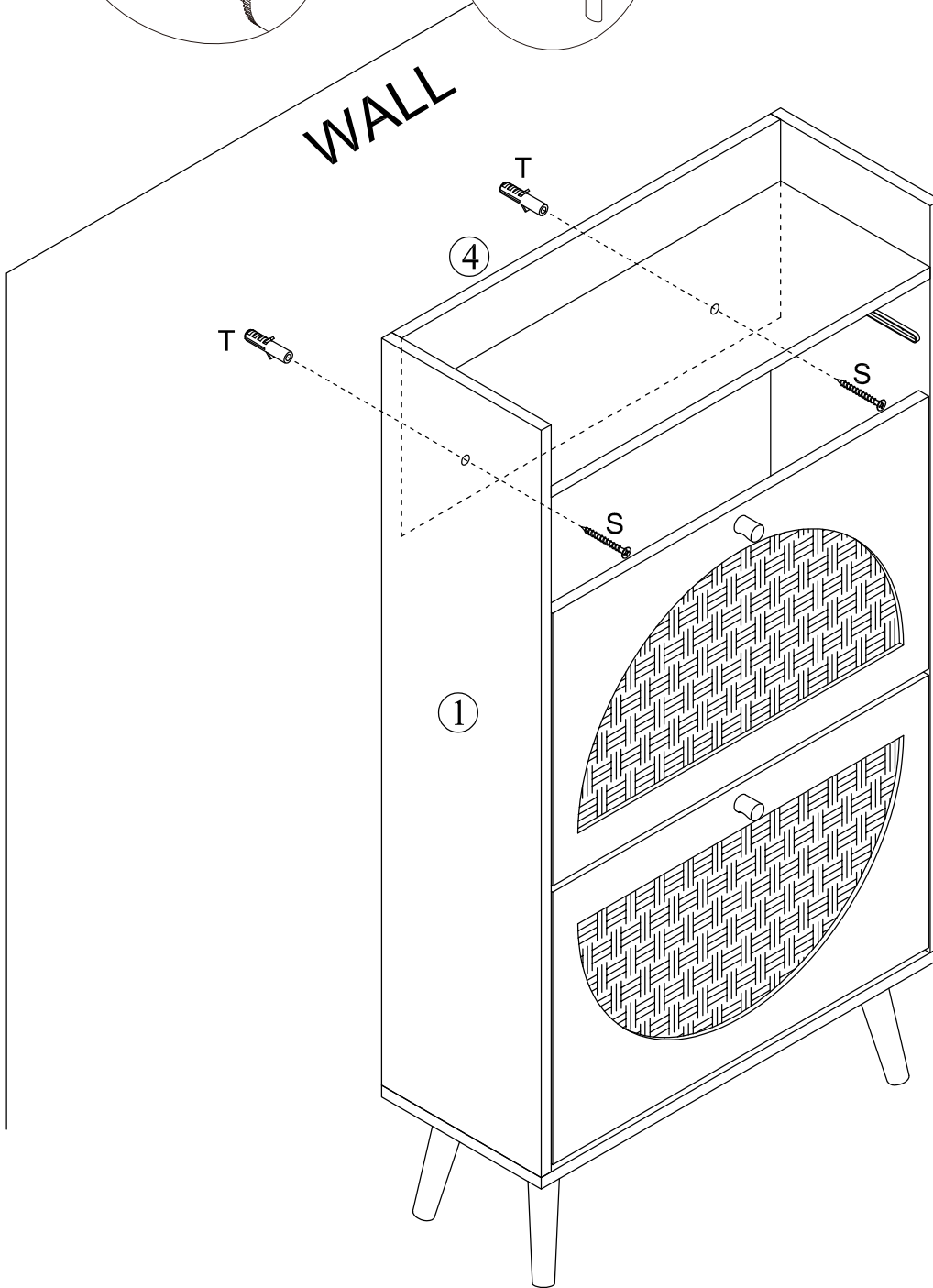
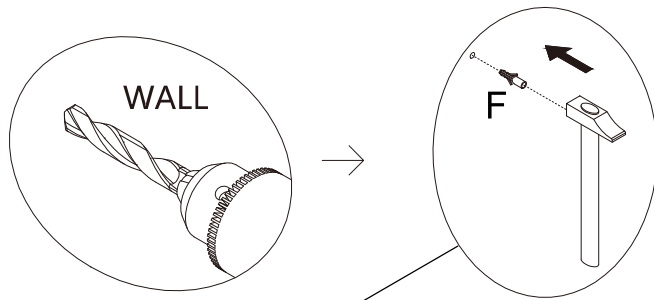
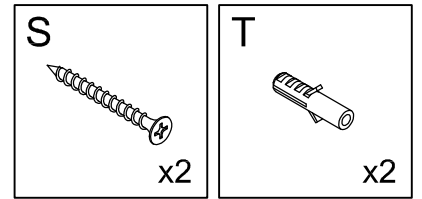
STEP 10



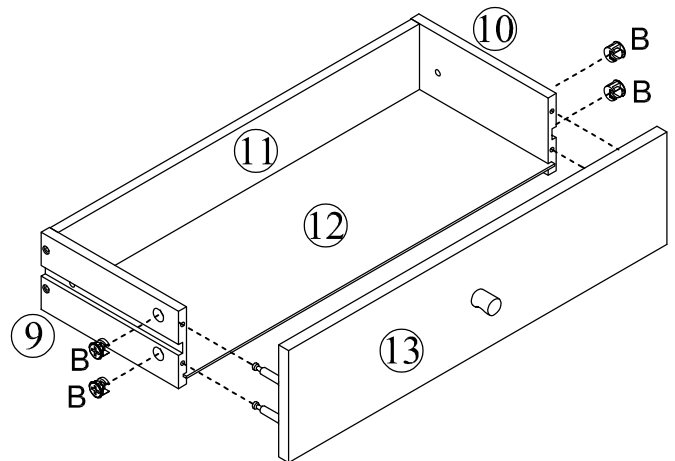
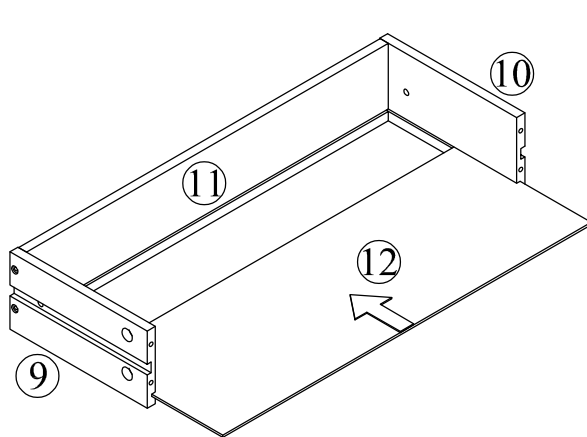
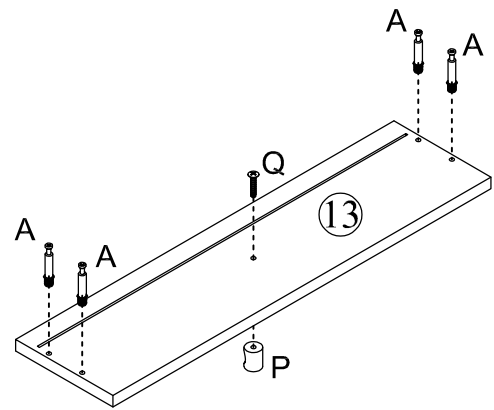
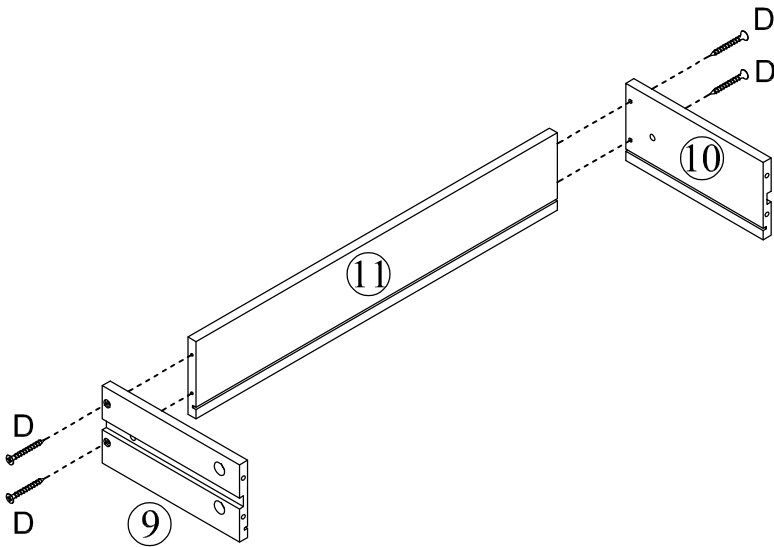
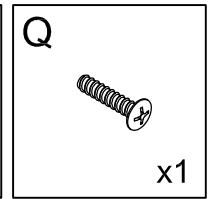
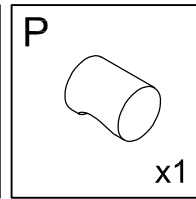
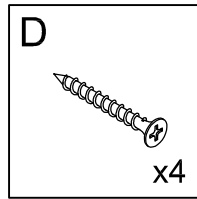
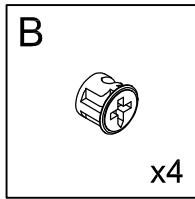
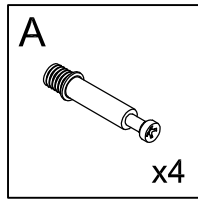
You can choose one of the two holes to screw in the screws according to your needs.



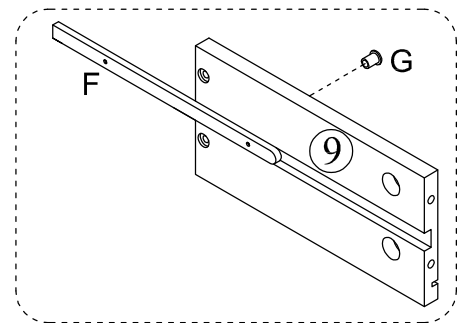
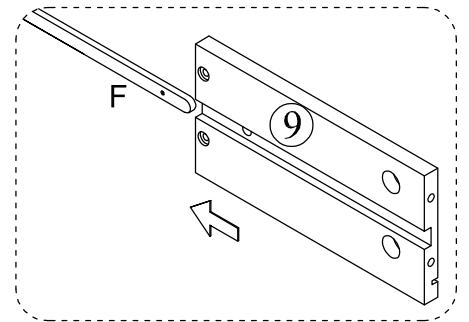
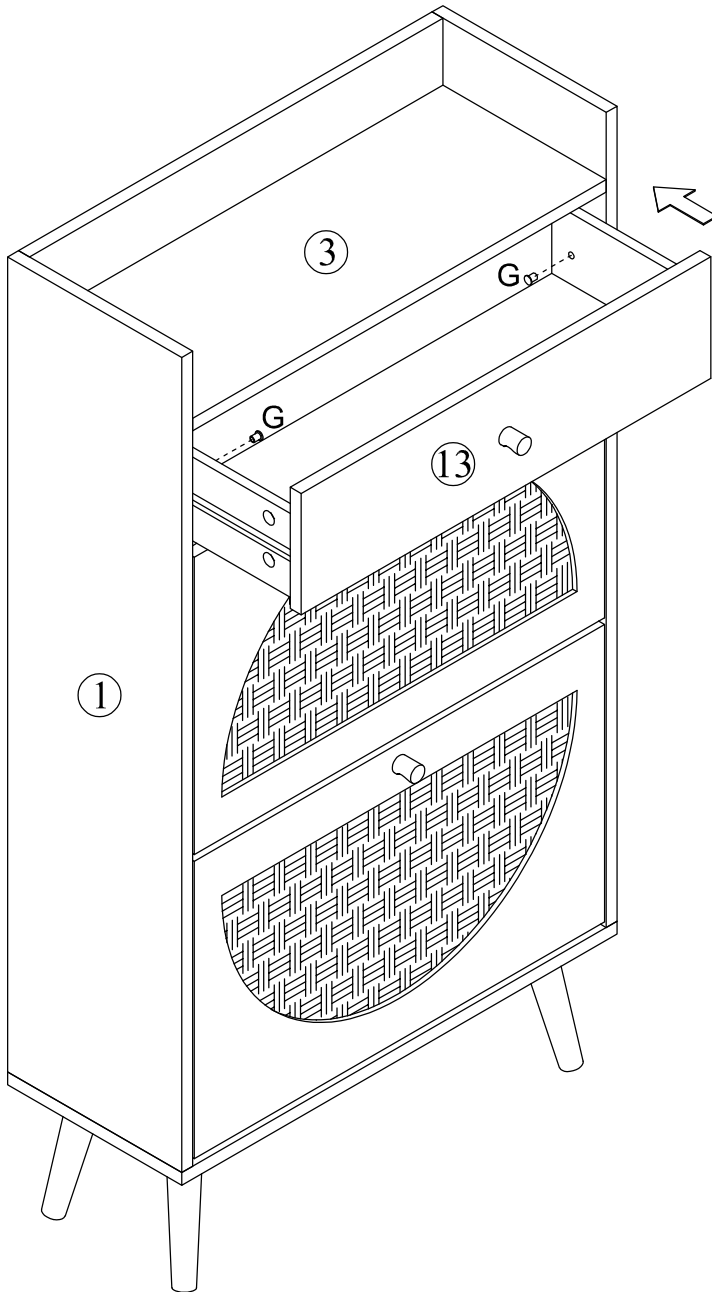
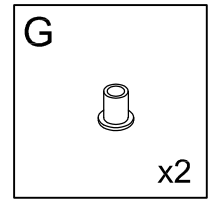
STEP 11



STEP 12



STEP 13



Proper Use

- DO NOT** use for commercial purposes
- DO NOT** use as a step stool or stand on table
- DO NOT** put hot serving liquid directly on the table top
- DO NOT** leave spilled liquid on the table top
- DO NOT** use table if damaged
- DO NOT** exceed weight limit
- DO NOT** make temporary repairs
- DO NOT** use outdoor