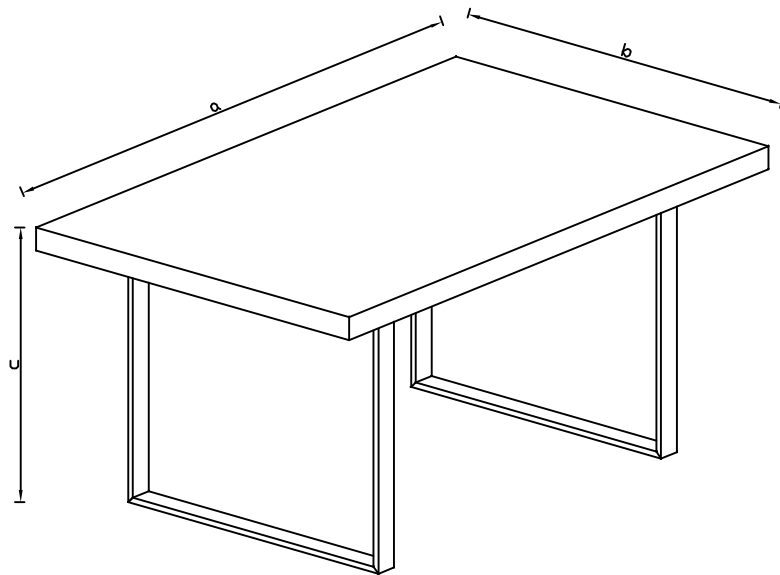
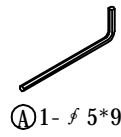


Dining Table

size:	a	b	c
	200	100	77cm



1

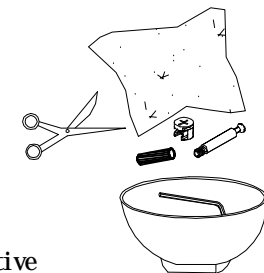
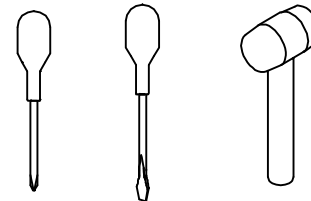


Ⓐ 1- ϕ 5*90



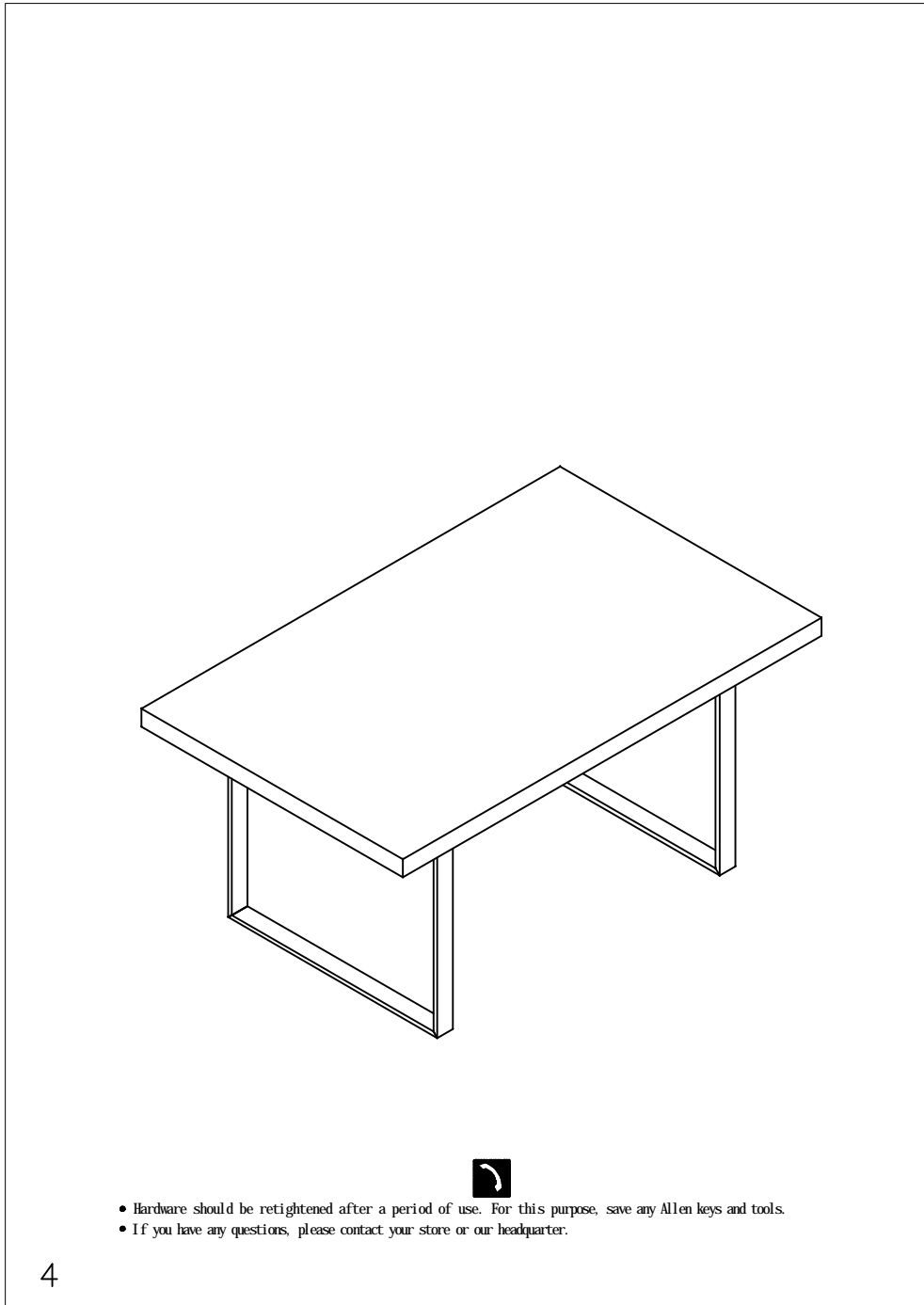
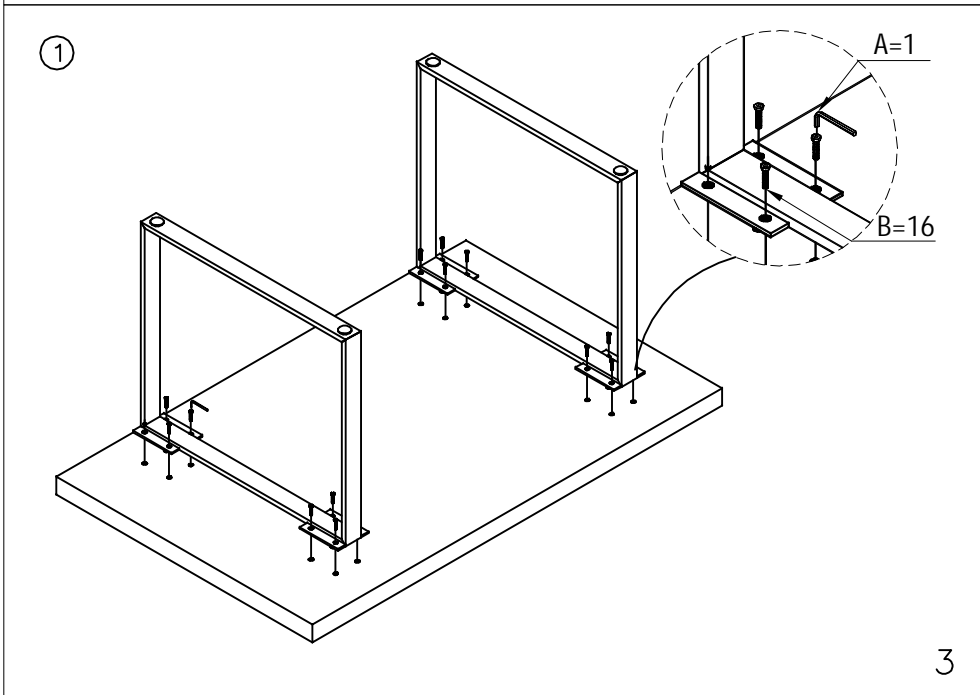
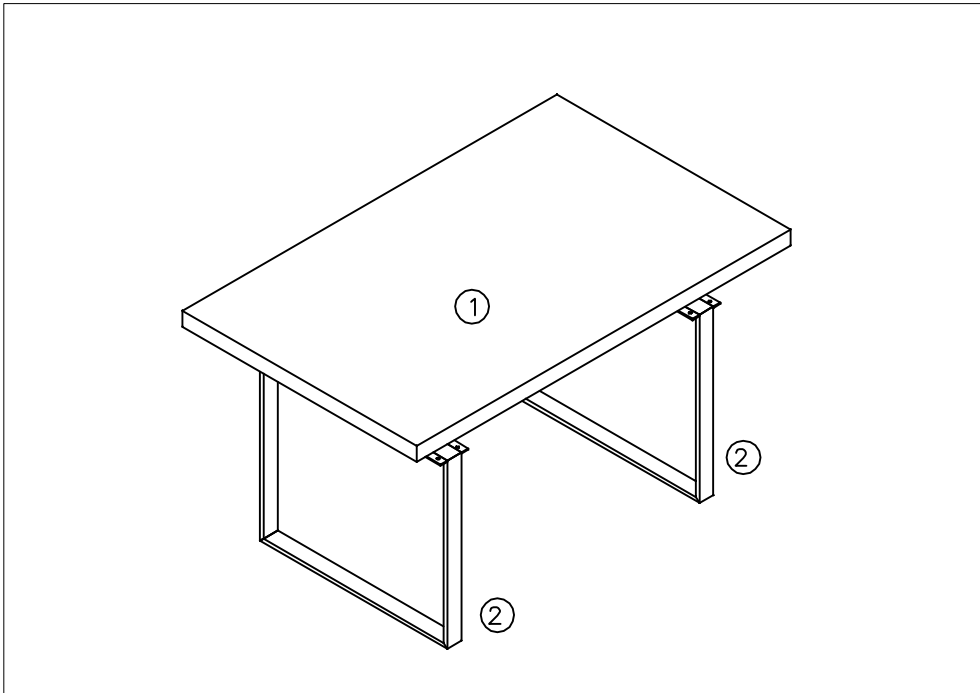
Ⓐ 16-M*L25

- Tools required



- It is a good idea to use a soft, protective underlay during assembly.

2



- Hardware should be retightened after a period of use. For this purpose, save any Allen keys and tools.
- If you have any questions, please contact your store or our headquarter.

