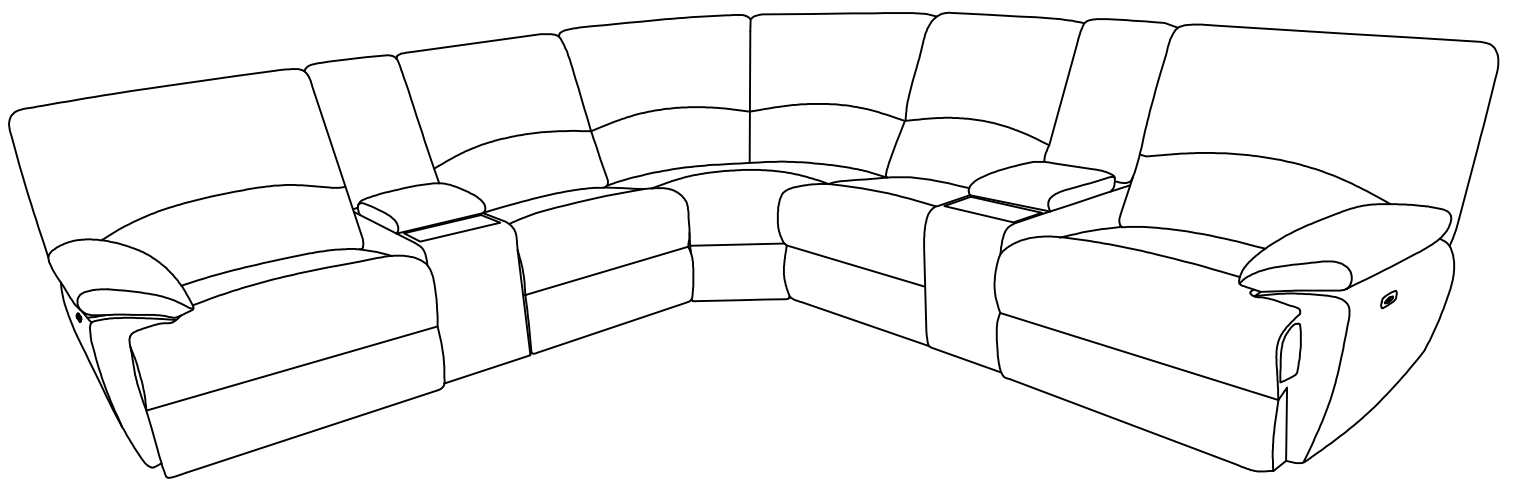


Operation Manual

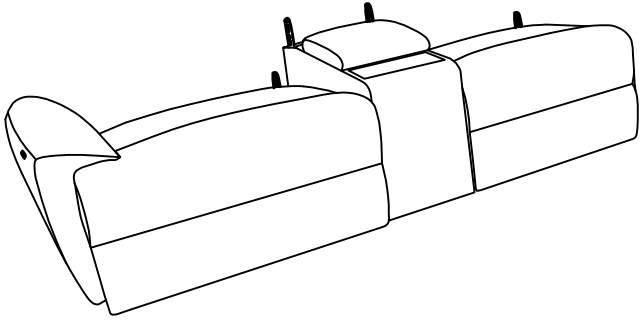


MO75#

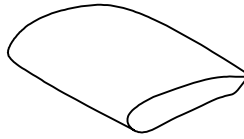
PARTS LIST

A

LSF Seat *1

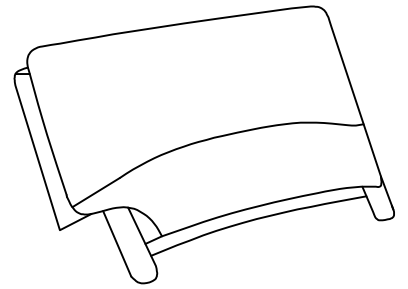


B LSF Armrest bag *1



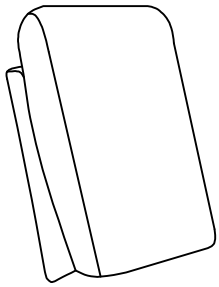
C

LSF Back *1



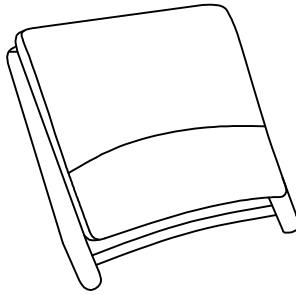
D

CONSOLE Back*1



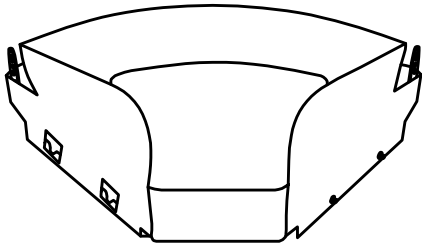
E

MID Back *1



F

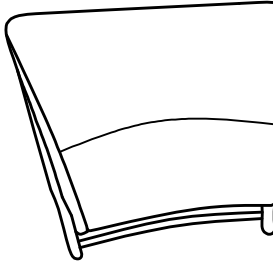
WEDGE Seat *1



MID Back*2

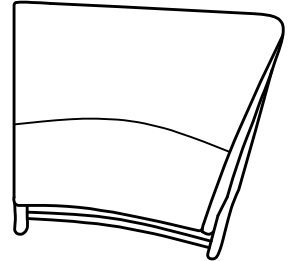
G

WEDGE LSF Back *1



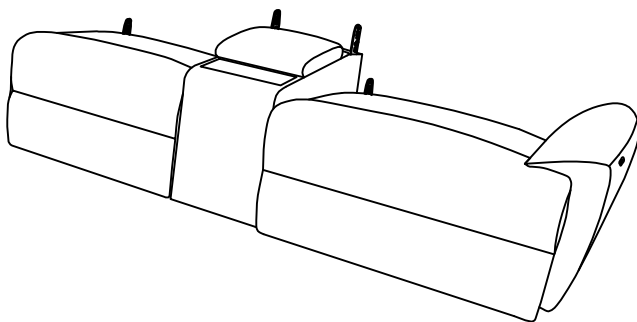
H

WEDGE RSF Back *1



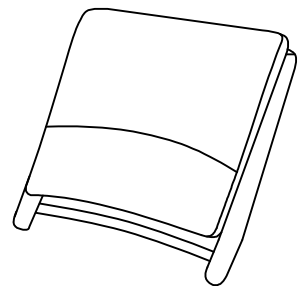
I

RSF Seat *1



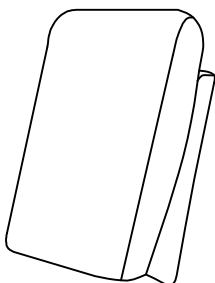
J

MID Back *1



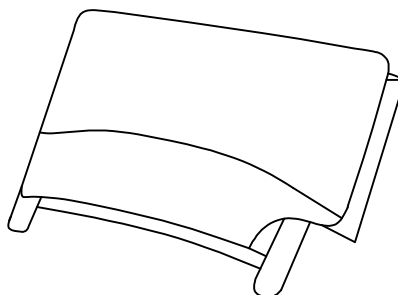
K

CONSOLE Back*1



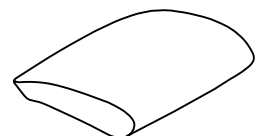
L

RSF Back *1

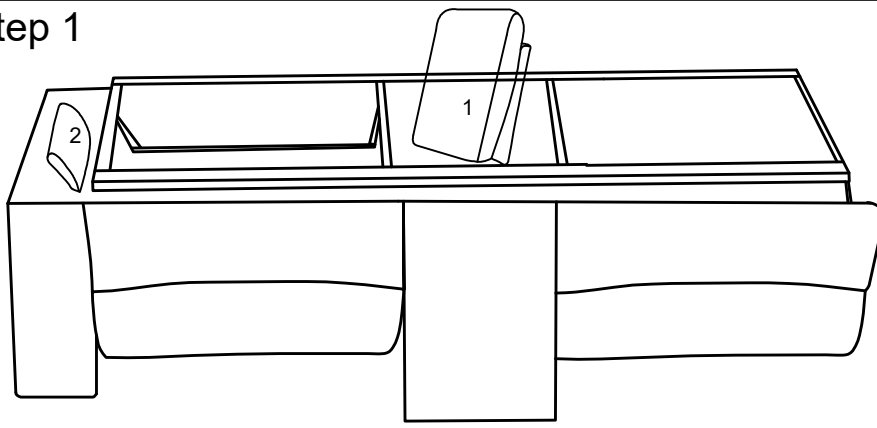


M

RSF Armrest bag *1

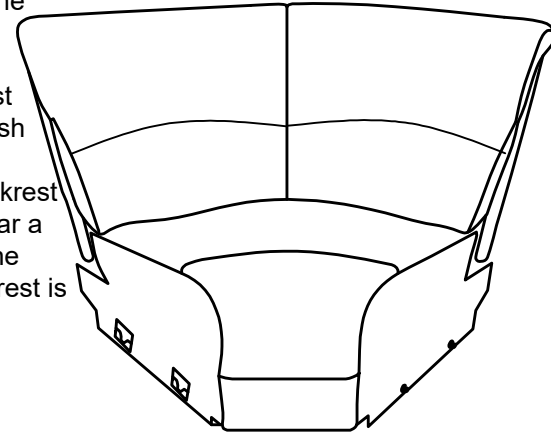


Step 1

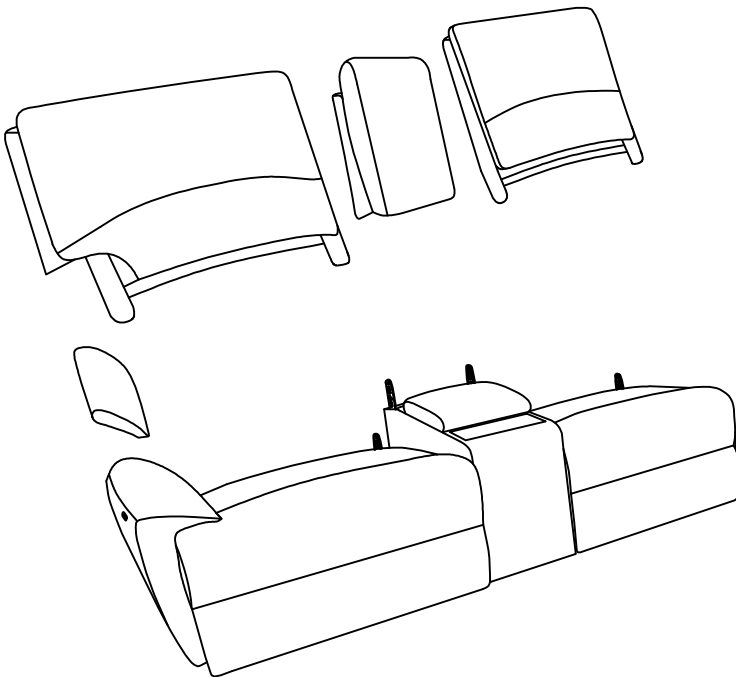


1. Take out the backrest from bottom of console seat
2. Take out the Armrest bag from bottom of seat

Install the Wedge backrest to the wedge seating, align the female brackets in the back with the male brackets in the chair seating. slide the backrest down on the seating. Push down on the top of the backrest to lock the backrest into position. You will hear a click from each side of the chair to ensure the backrest is locked in properly.

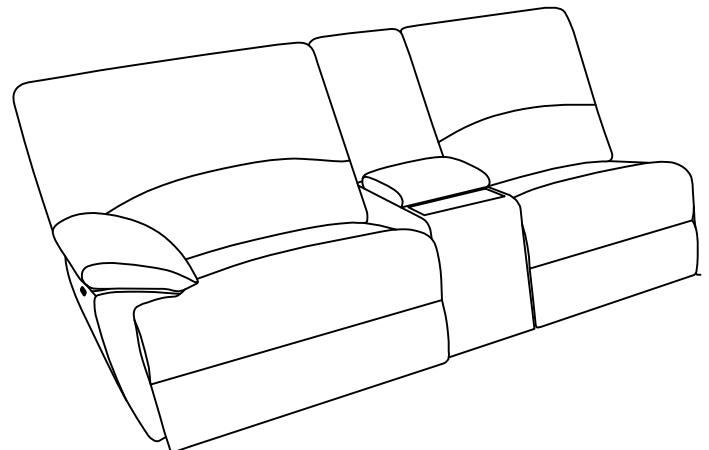


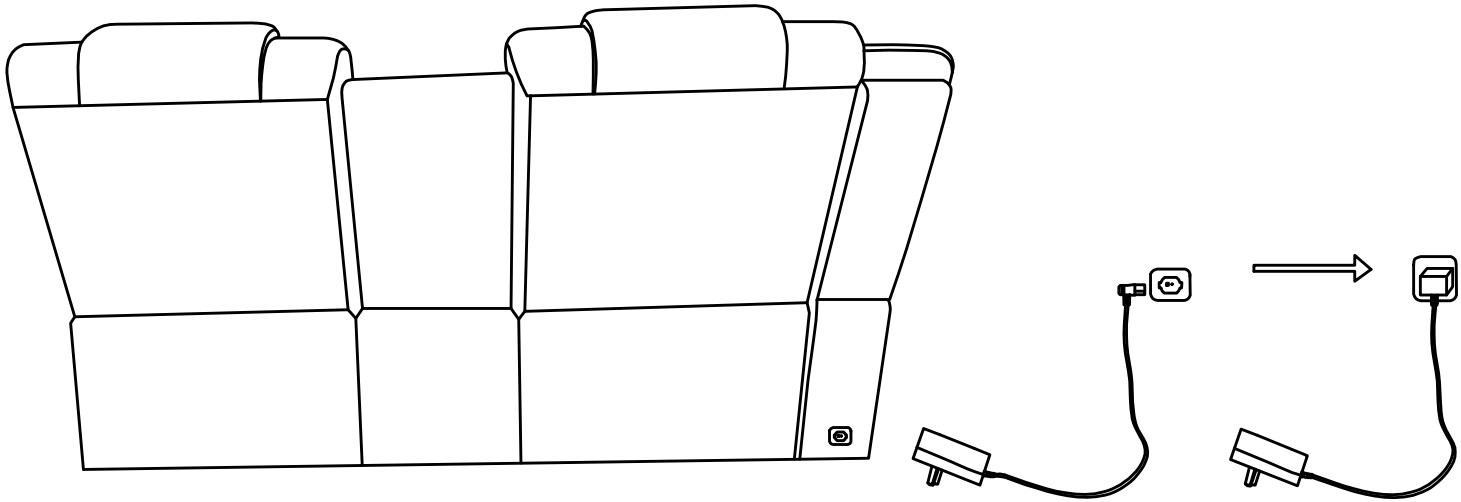
Step 3



Connect the zipper of the armrest bag to the zipper of the armrest frame, and stick the Velcro on the inside of the armrest bag to the armrest frame


Install the backrest to the seat align the female brackets in the back with the male brackets in the chair seating. slide the backrest down on the seating. Push down on the top of the backrest to lock the backrest into position. You will hear a click from each side of the chair to ensure the backrest is locked in properly.






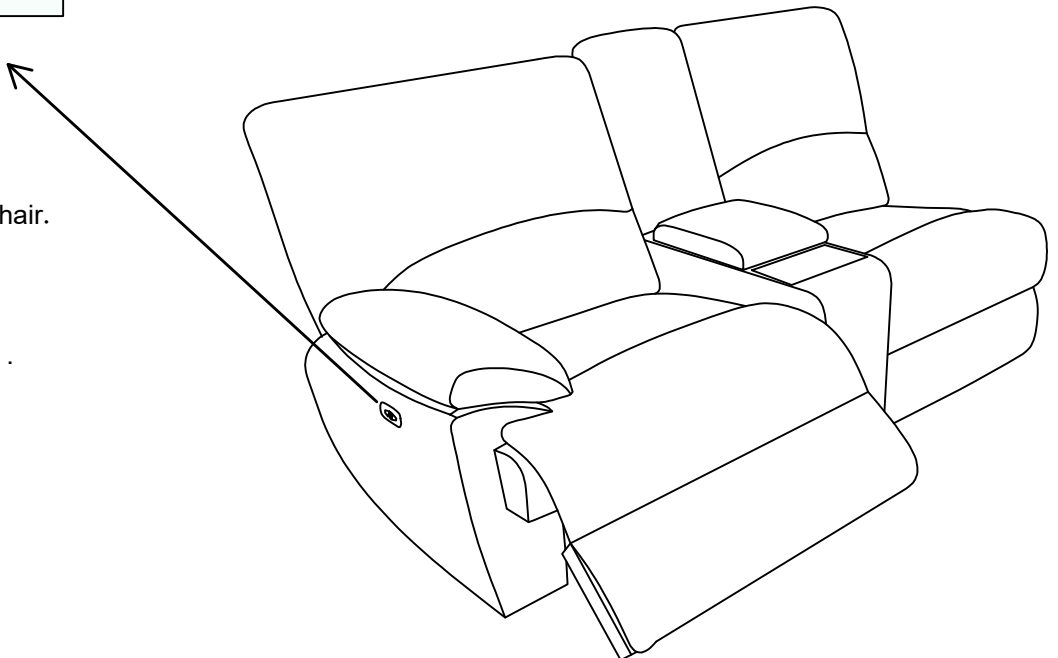
#1 Insert the power cord to the switch. When the button is pressed to the off position, the Red Light on the Power button is not lit. When the button is in the ON position, the Red Light in the Power Button will lit and the unit will operate.

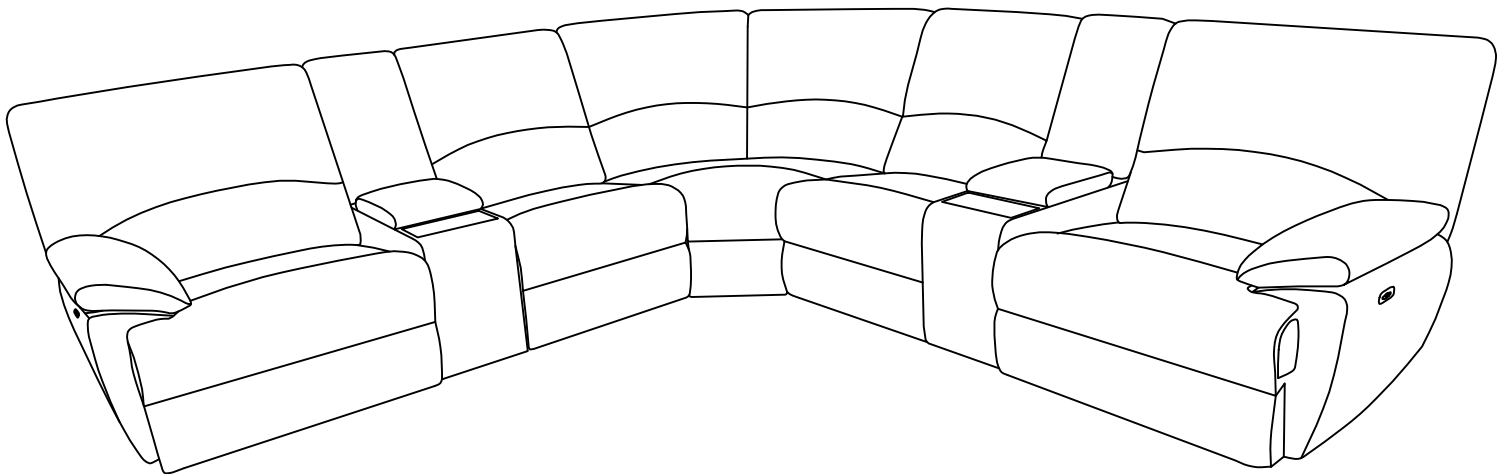
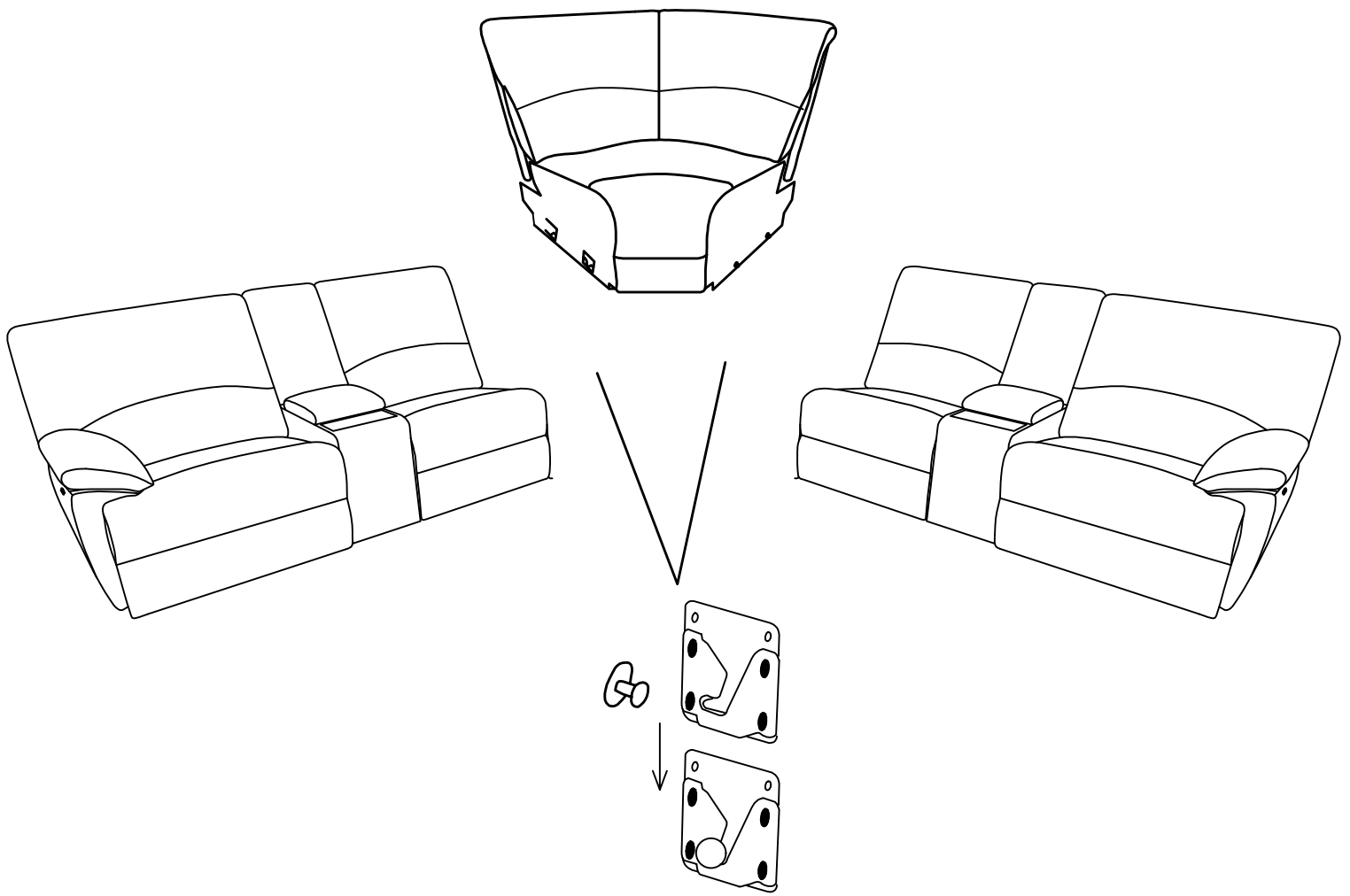


1) Press  to recline the chair.

2) Press  to recline back .

3) USB port .






How to Disassemble

Please find a strong tool to prod the small piece of metal grooves, then the backrest will be pulled out.

