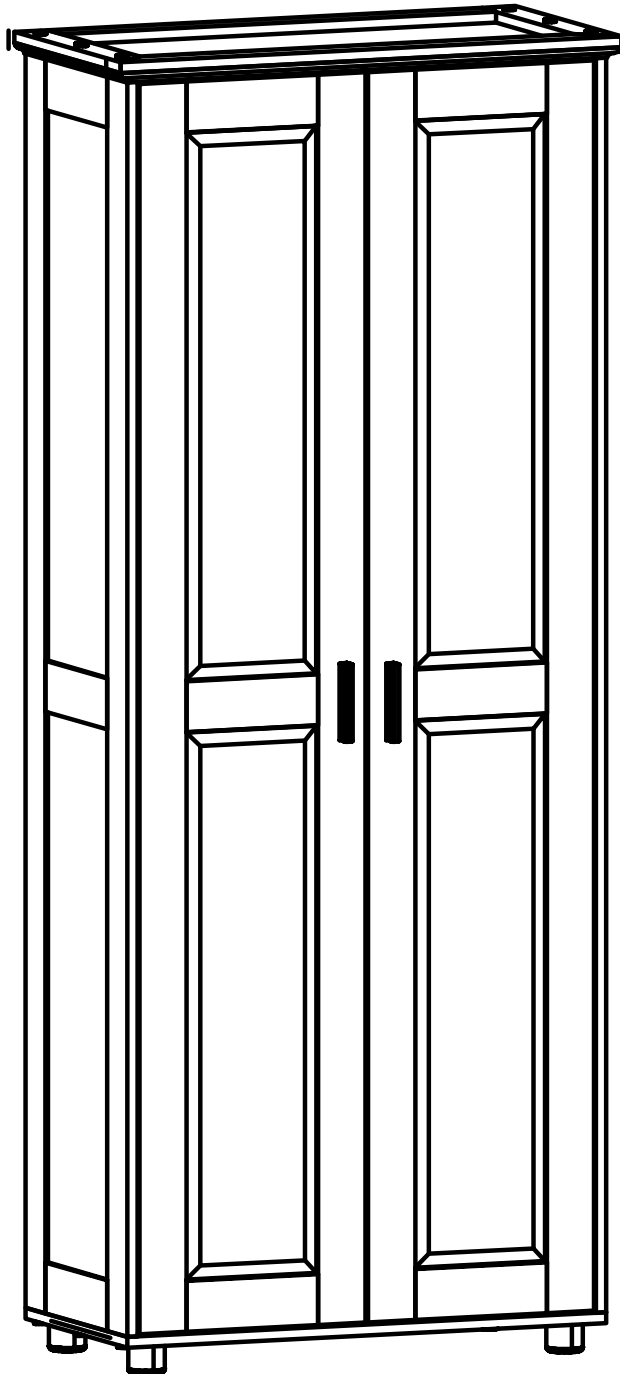
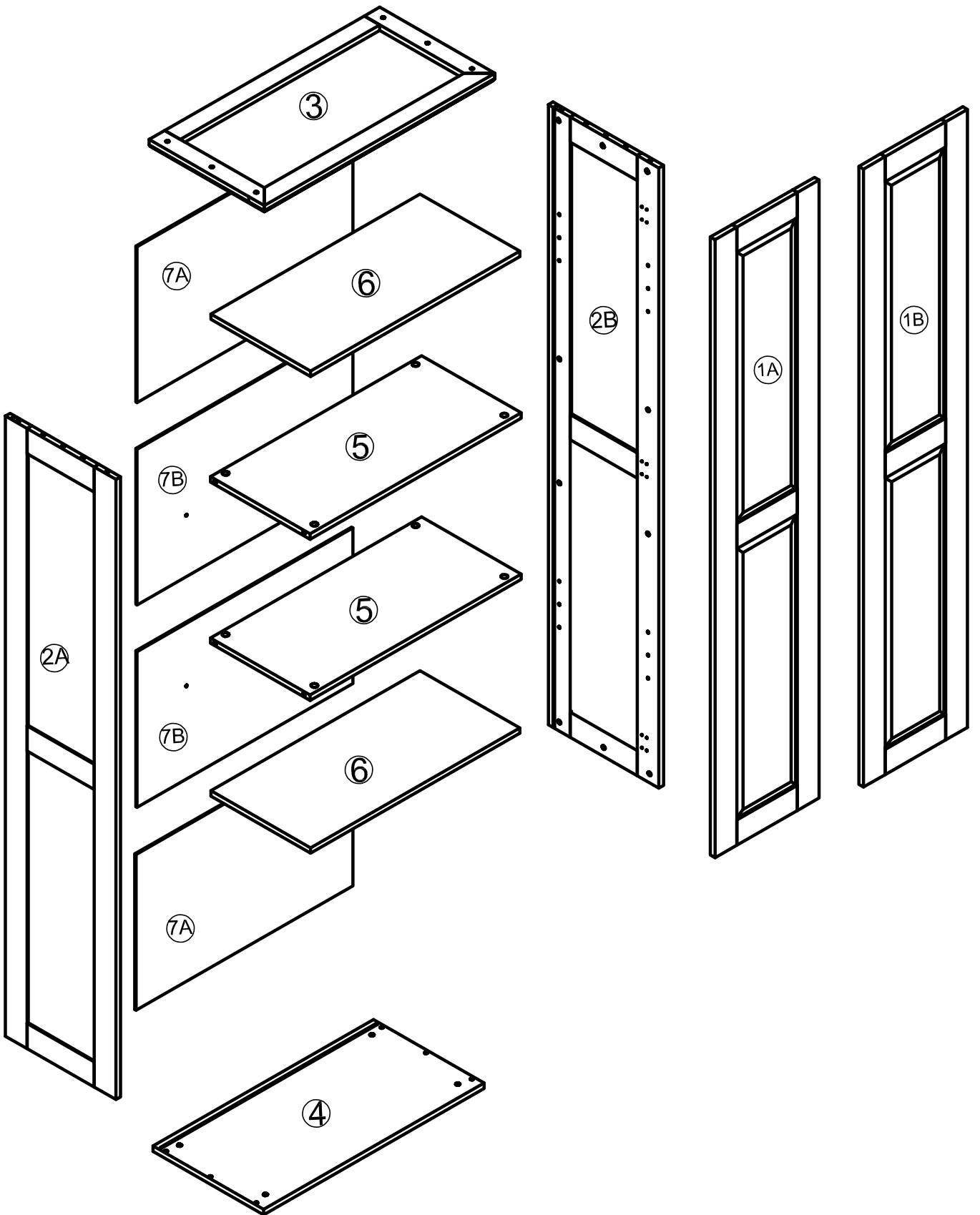


ASSEMBLY INSTRUCTION

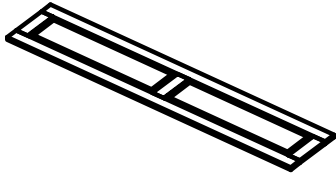


ASSEMBLY INSTRUCTION



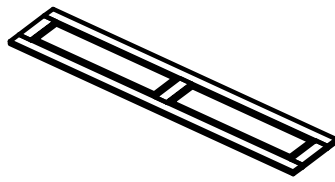
Part List

1A



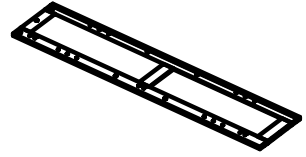
CABINET WINGS-1pcs

1B



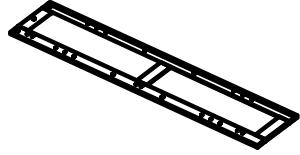
CABINET WINGS-1pcs

2A



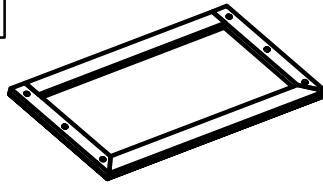
SIDE EDGE OF CABINET-1pc

2B



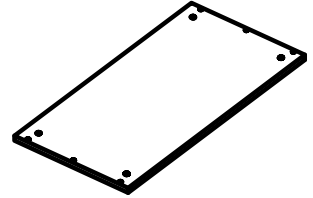
SIDE EDGE OF CABINET-1pc

3



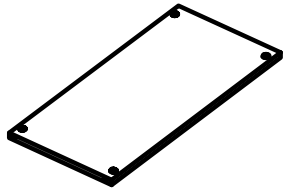
The top of the cabinet-1pcs

4



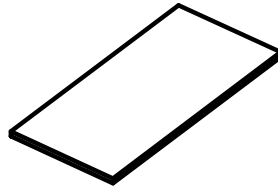
CABINET BOTTOM-1pcs

5



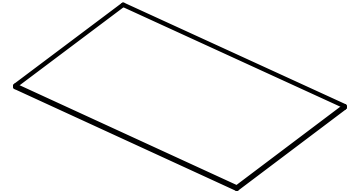
FIXED SHELF-2pcs

6



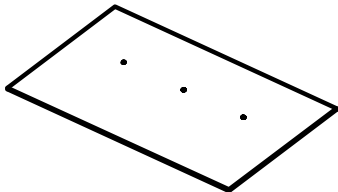
MOVING SHELVES-2pcs

7A





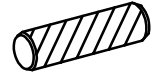


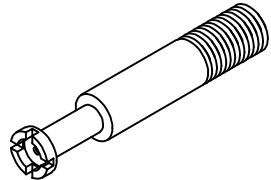

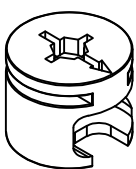


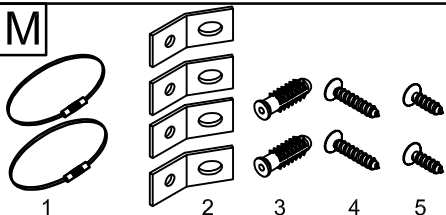

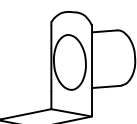
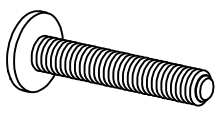

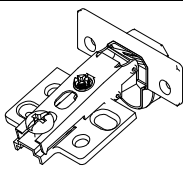
Cabinet Back-2pcs

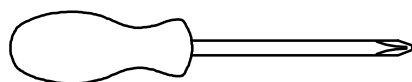
7B



Cabinet Back-2pcs

Hardware List

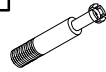
<p>A</p>  <p>Ø1/4" x 70mm Hex-Head bolts 6pcs</p>	<p>B</p>  <p>Ø1/4" x 13 mm Horizontal-Hole bolts 12pcs</p>	<p>C</p>  <p>Ø8 x 30 mm Wood dowel 8pcs</p>
<p>D</p>  <p>M4 x 30 mm Wood Screws 16pcs</p>	<p>E</p>  <p>Ø1/4" x 50mm Hex-Head bolts 6pcs</p>	<p>F</p>  <p>Link 1 - 8 pcs</p>
<p>G</p>  <p>Plastic Feet(Ø50x40) 4pcs</p>	<p>H</p>  <p>10mm Link 2 - 8 pcs</p>	<p>K</p>  <p>Allen Key 1pc</p>
<p>L</p>  <p>Handle Steel 2pcs</p>	<p>M</p>  <p>1 2 3 4 5 Wall brackets 2set</p>	<p>N</p>  <p>1 2 Clamp pin 4pcs</p>
<p>O</p>  <p>Support Pin 8pcs</p>	<p>P</p>  <p>M4 x 18mm Hex-Head bolts 4pcs</p>	<p>W</p>  <p>M4 x 15 mm Wood Screws 58pcs</p>
<p>X</p>  <p>Hinge - 6Pcs</p>		



Assembly Tools Required (Not Included)

STEP 1: Following below illustration:

F

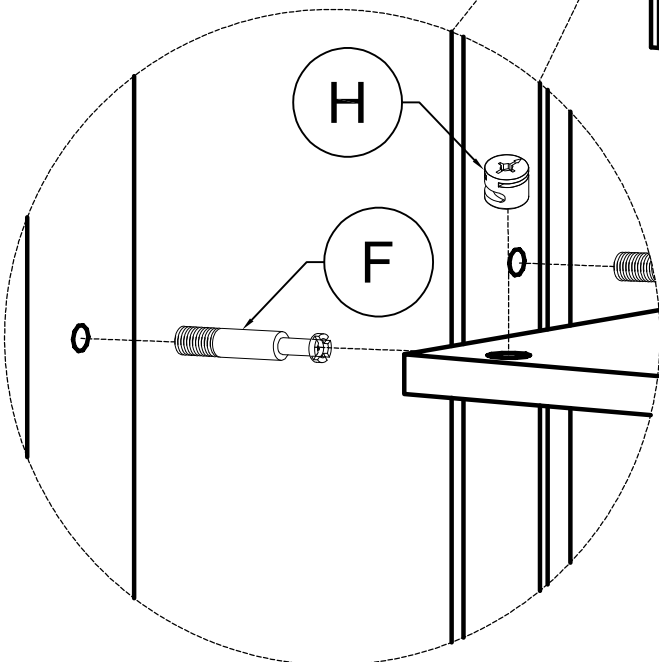
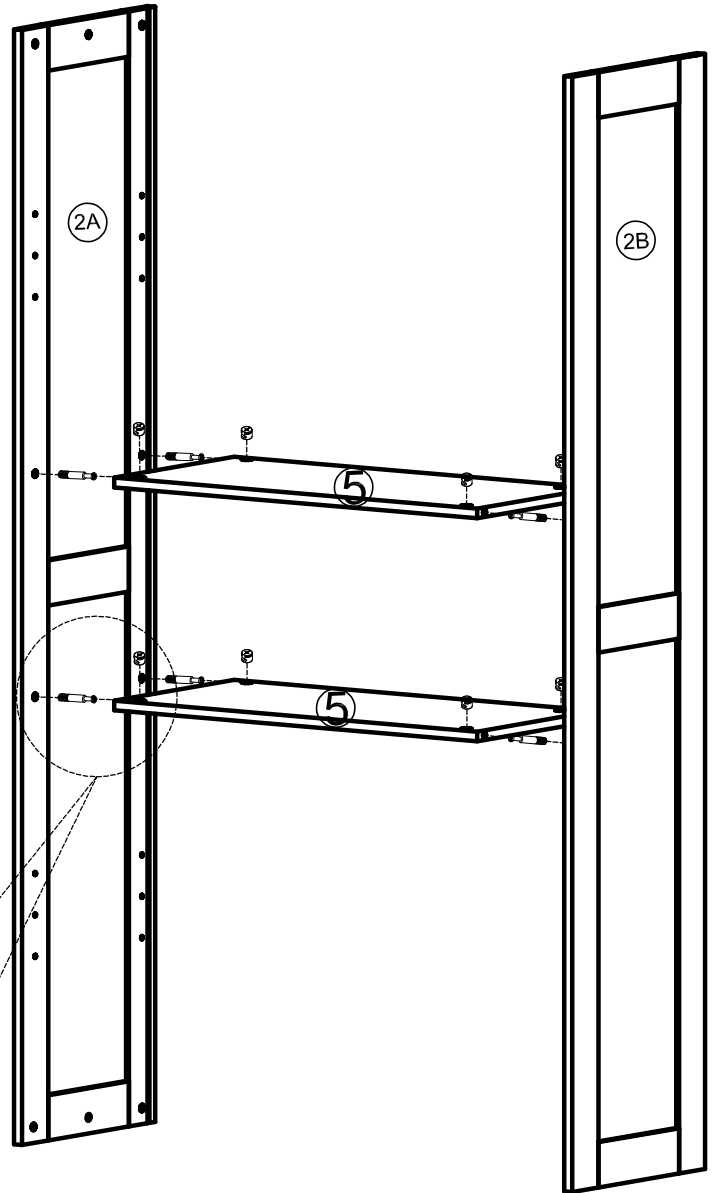


8pcs




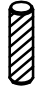

H

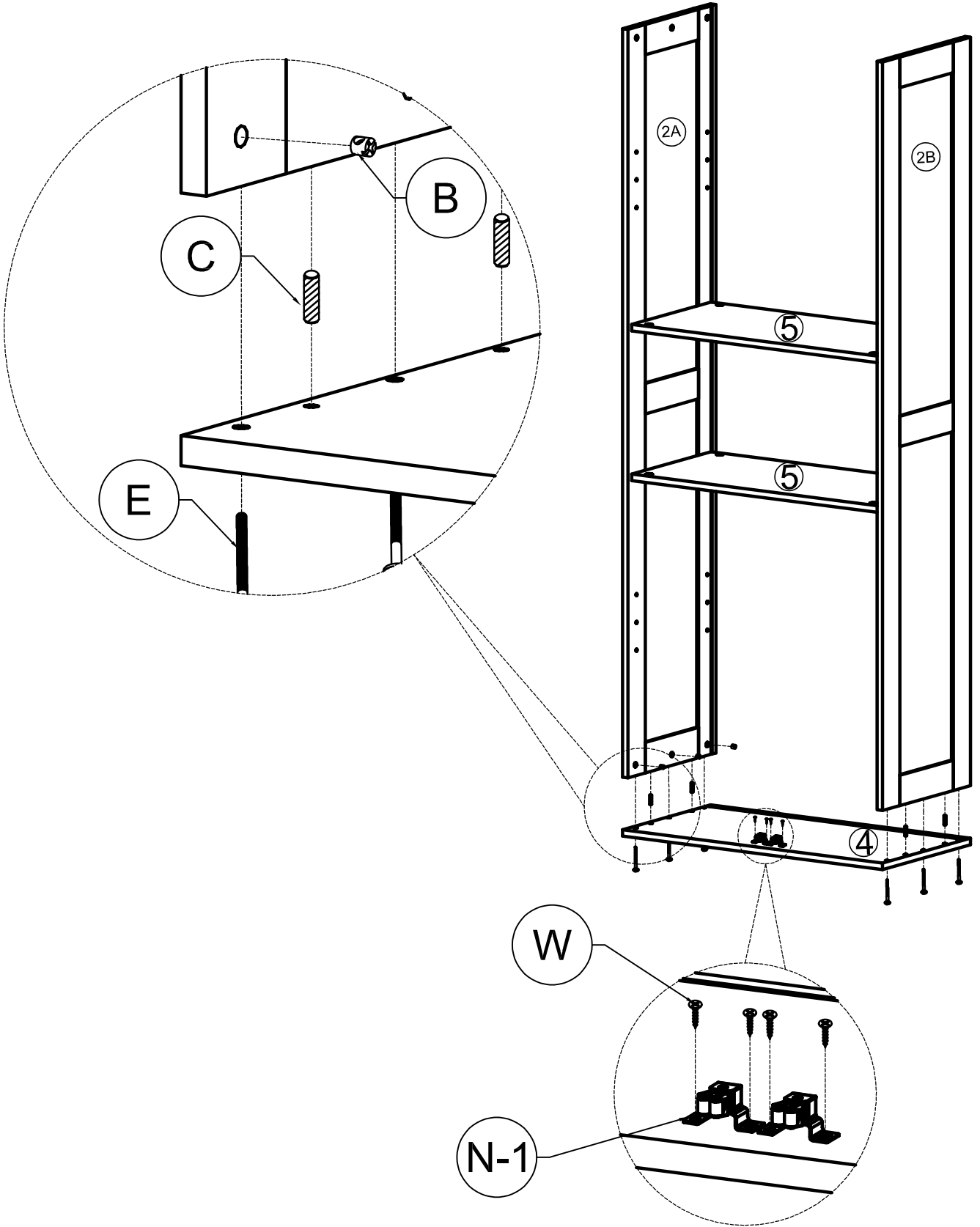


8pcs

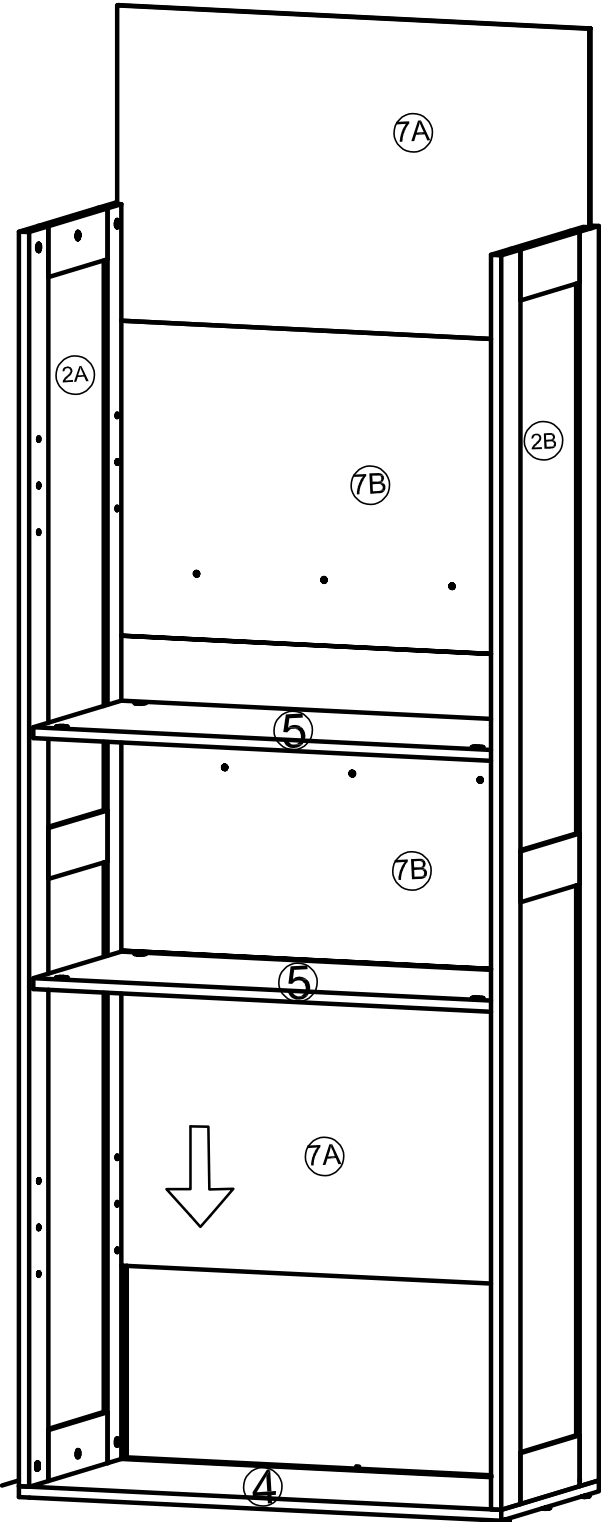


STEP 2: Following below illustration:


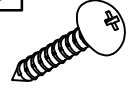
W 	N-1 	E 	C 	B 
4pcs	2pcs	6pcs	4pcs	6pcs

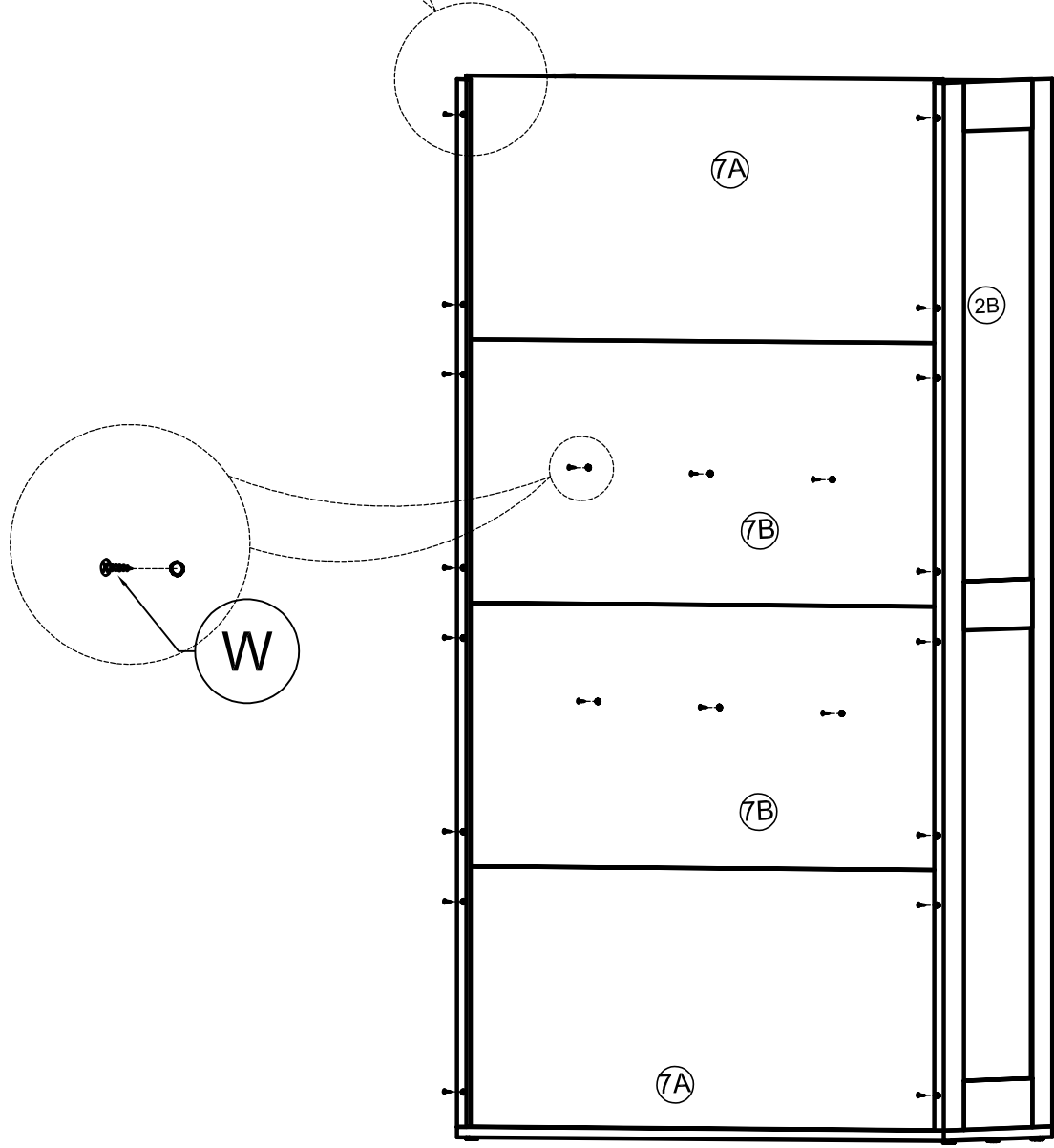
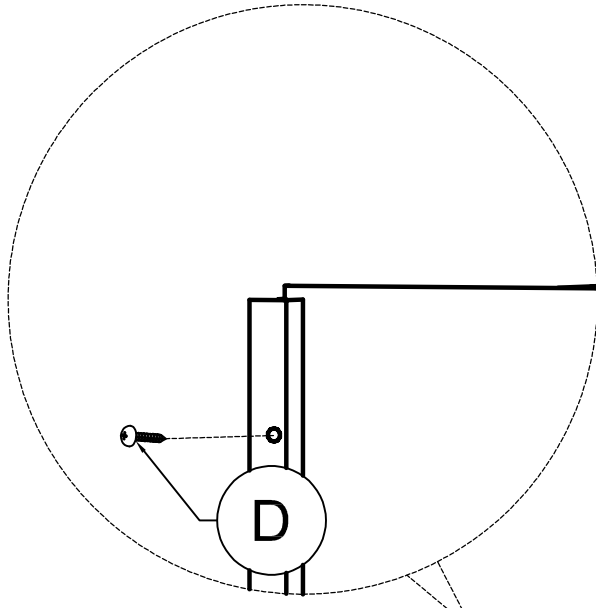


STEP 3: Following below illustration:






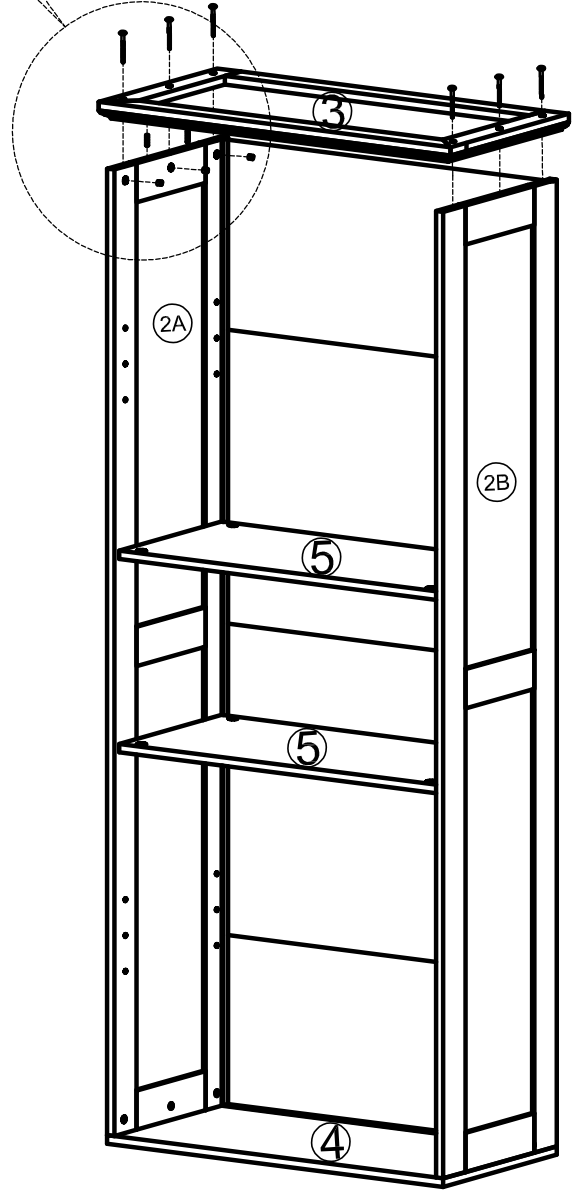
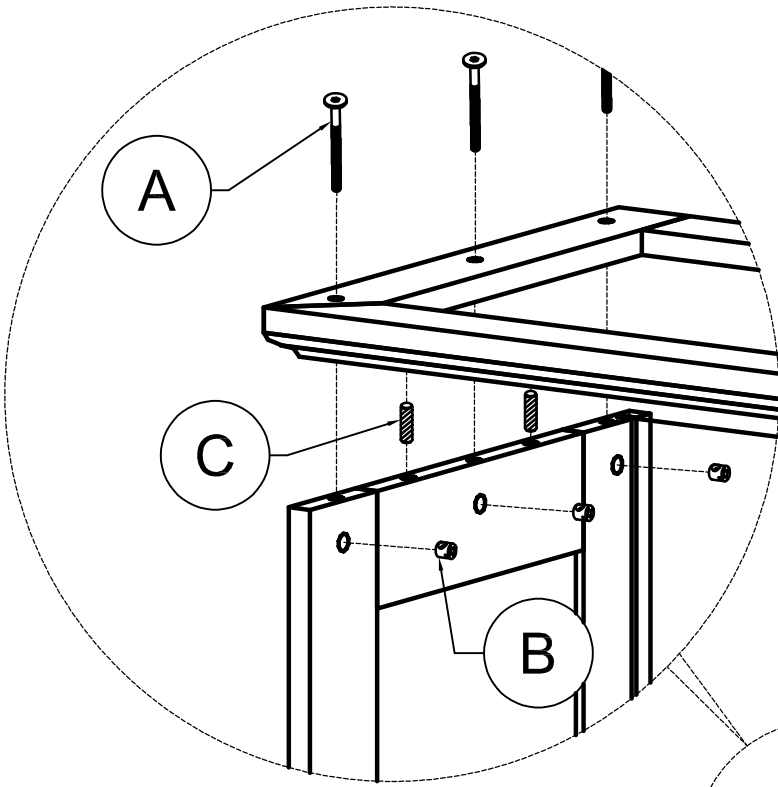
STEP 4: Following below illustration:

W 	D 
6pcs	16pcs






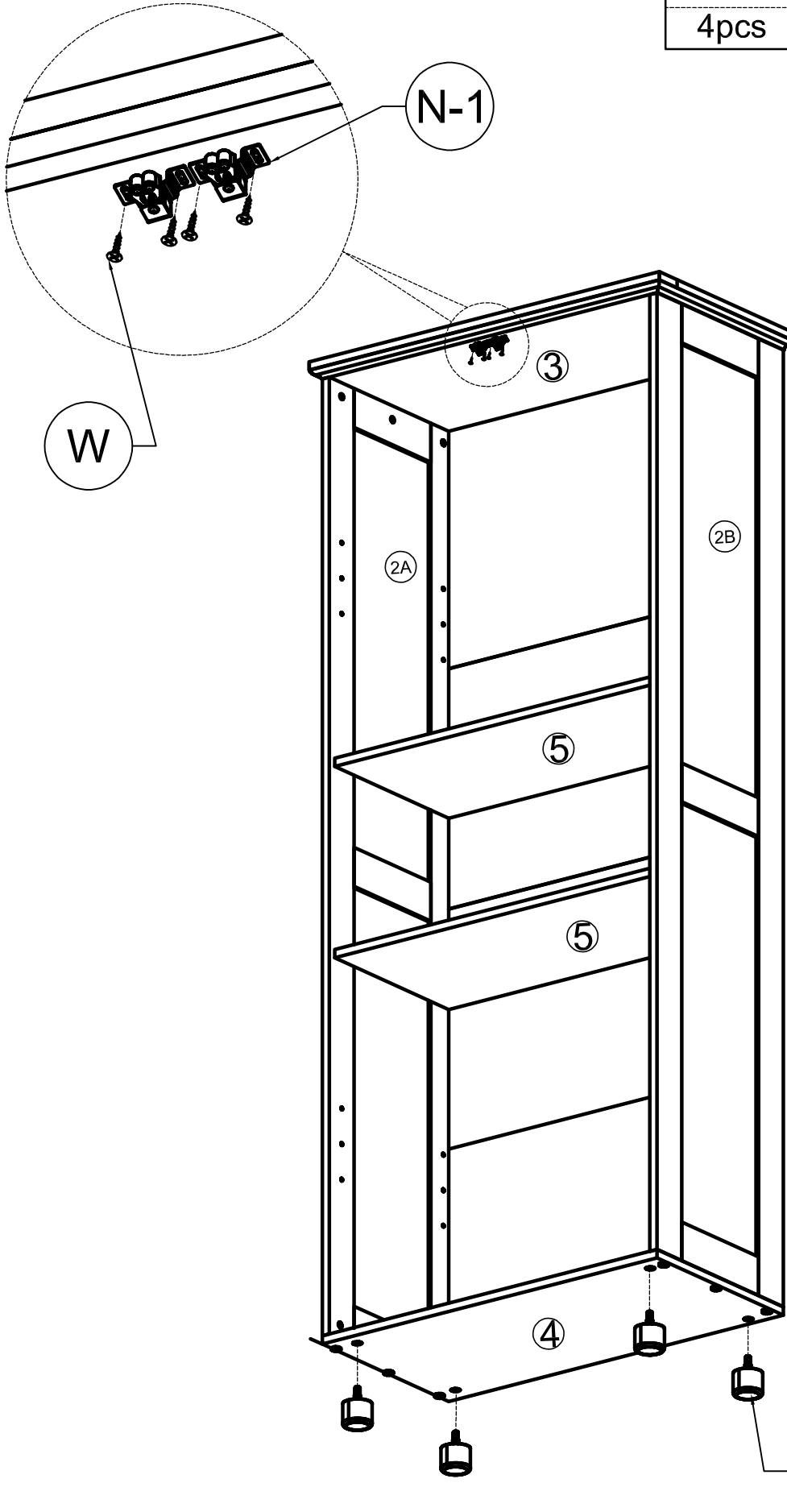
STEP 5: Following below illustration:

A 	C 	B 
6pcs	4pcs	6pcs



STEP 6: Following below illustration:

W	N-1	G
		
4pcs	2pcs	4pcs



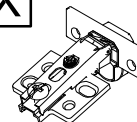
STEP 7: Following below illustration:

N-2



4pcs

X

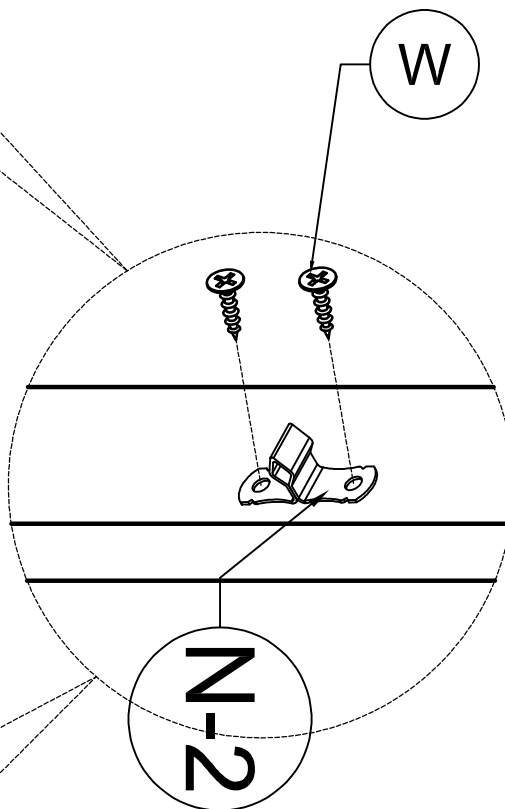
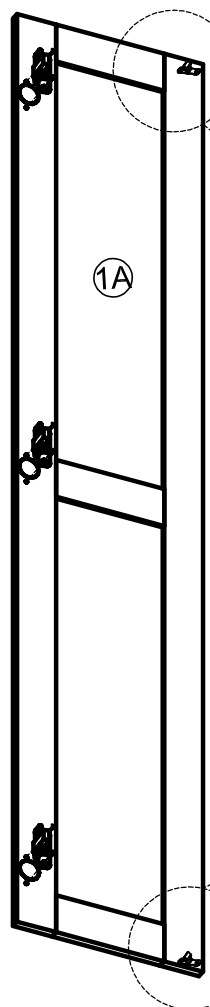
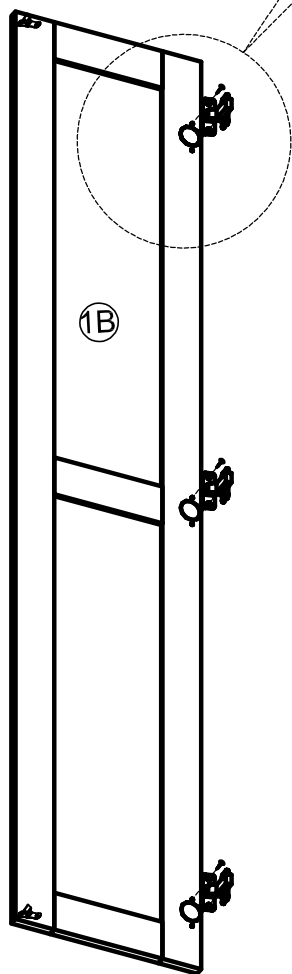
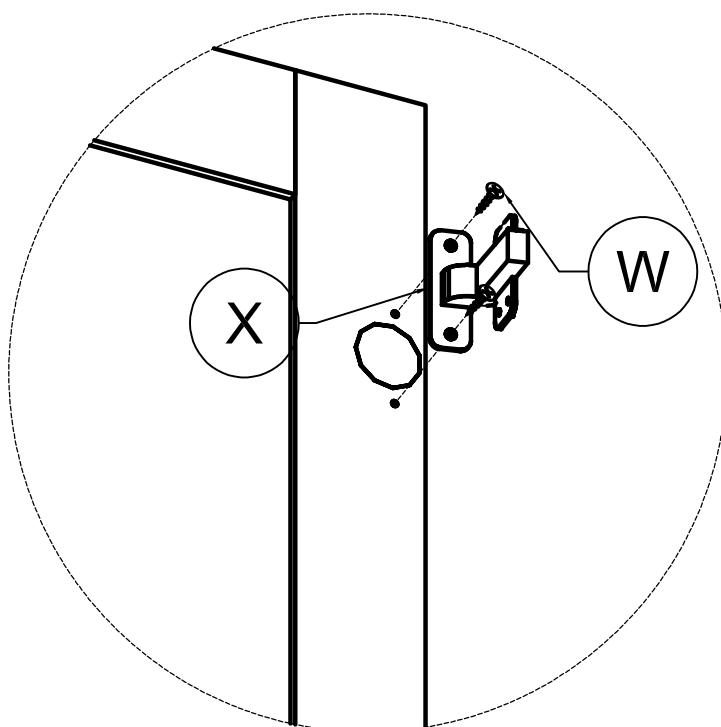


6pcs

W



20pcs

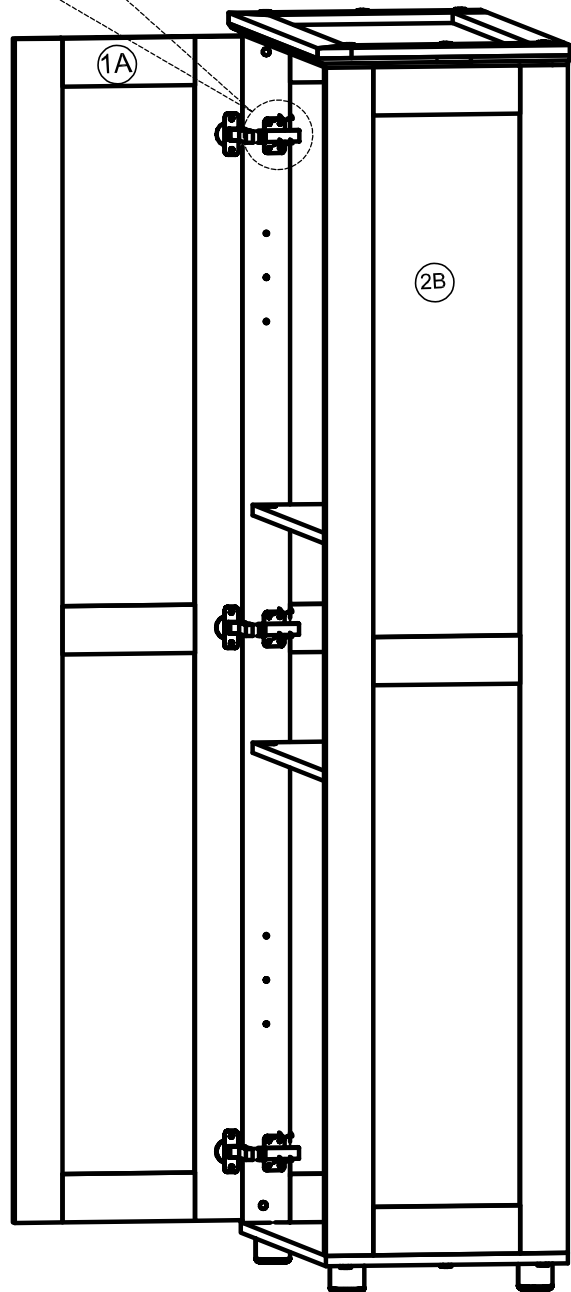
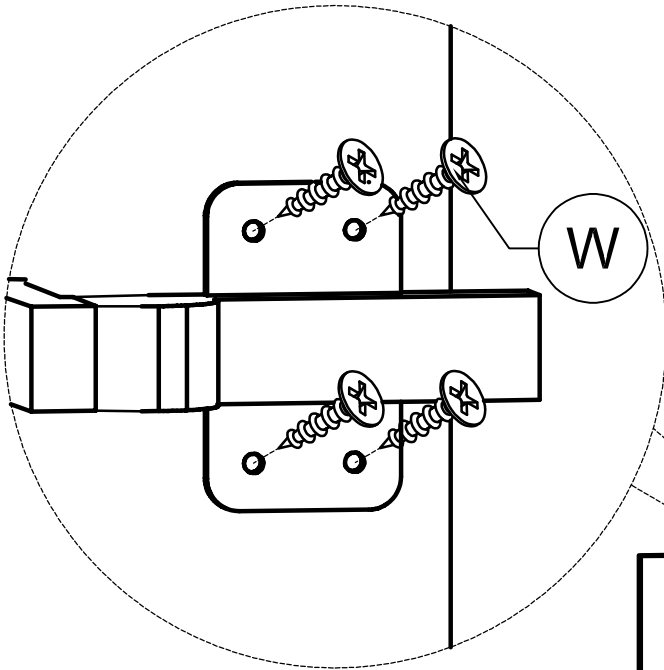


STEP 8: Following below illustration:




W

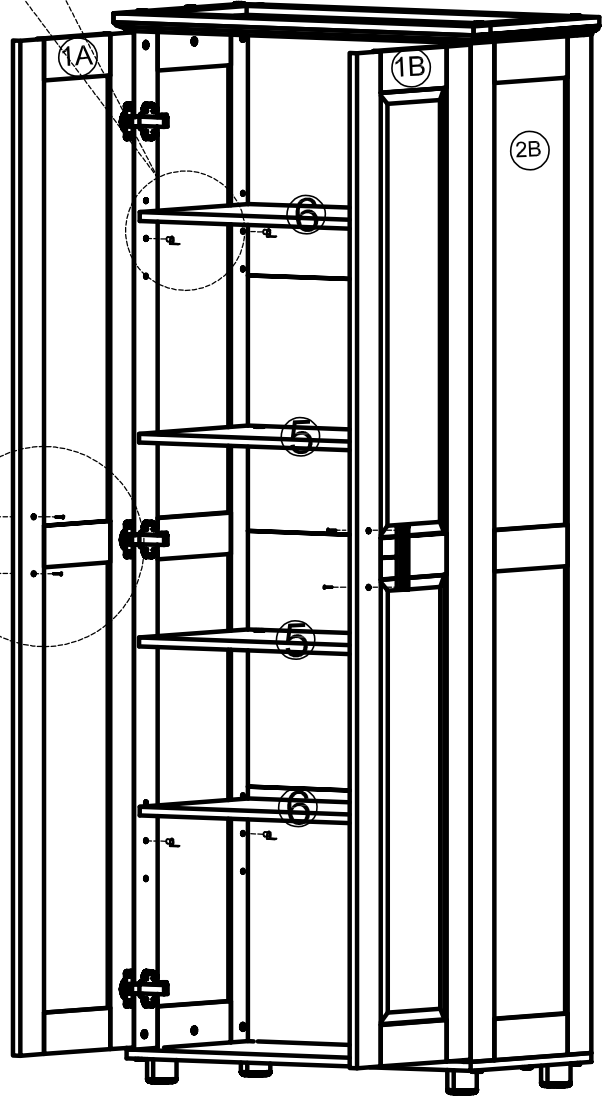
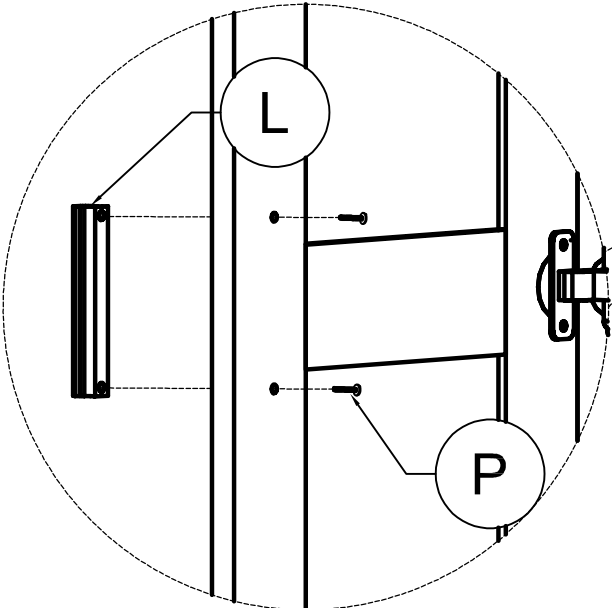
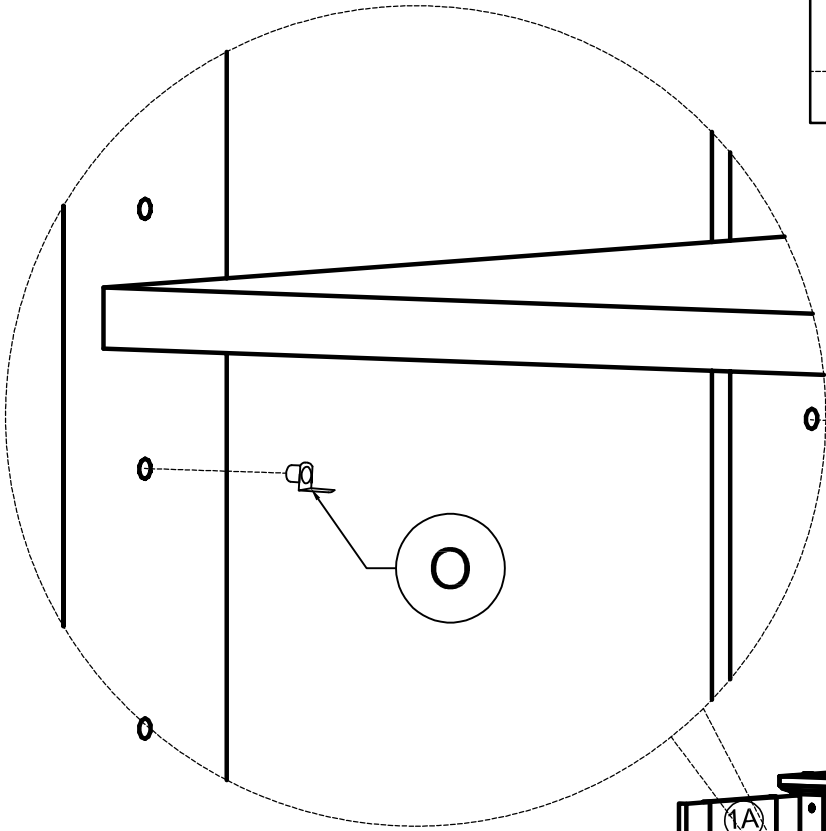


24pcs

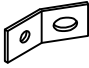




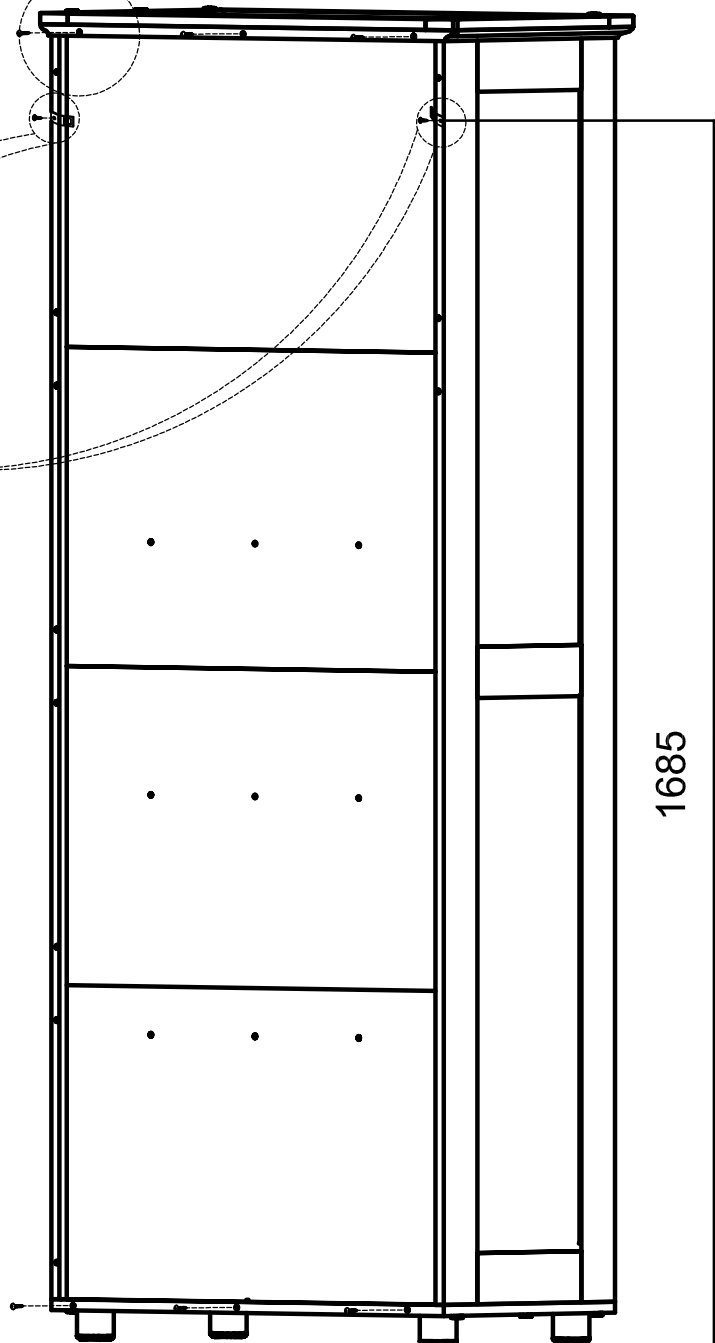
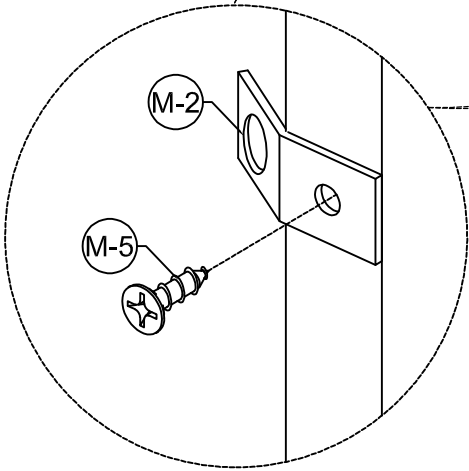
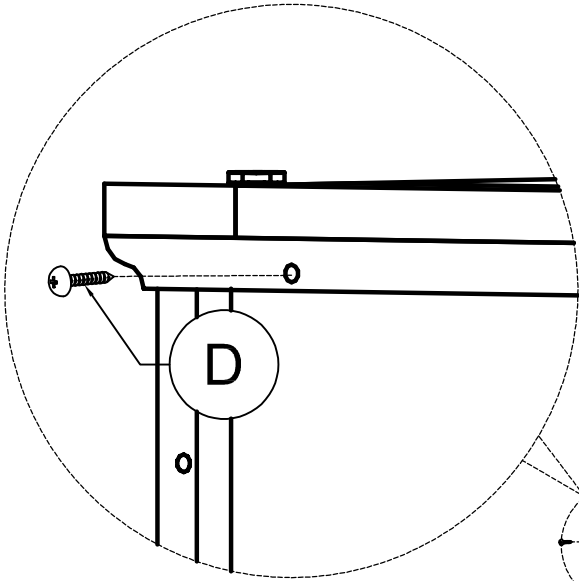
STEP 9: Following below illustration:

L	P	O
		
2pcs	4pcs	8pcs

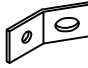




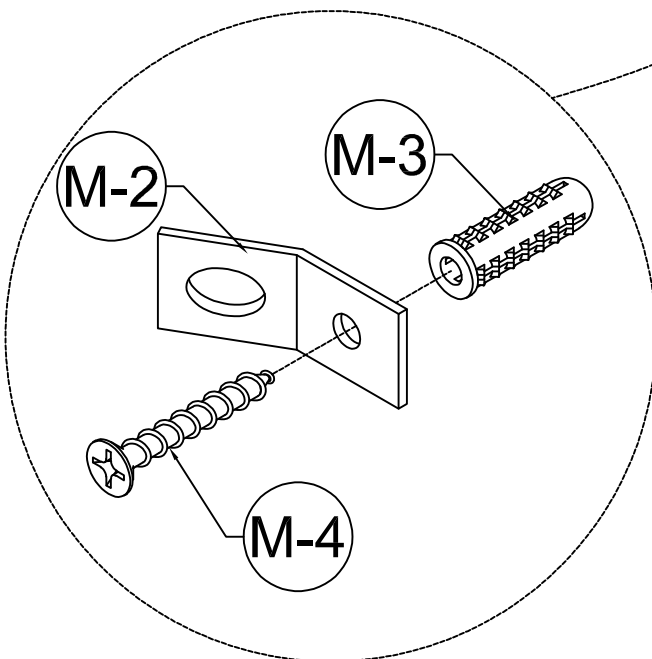
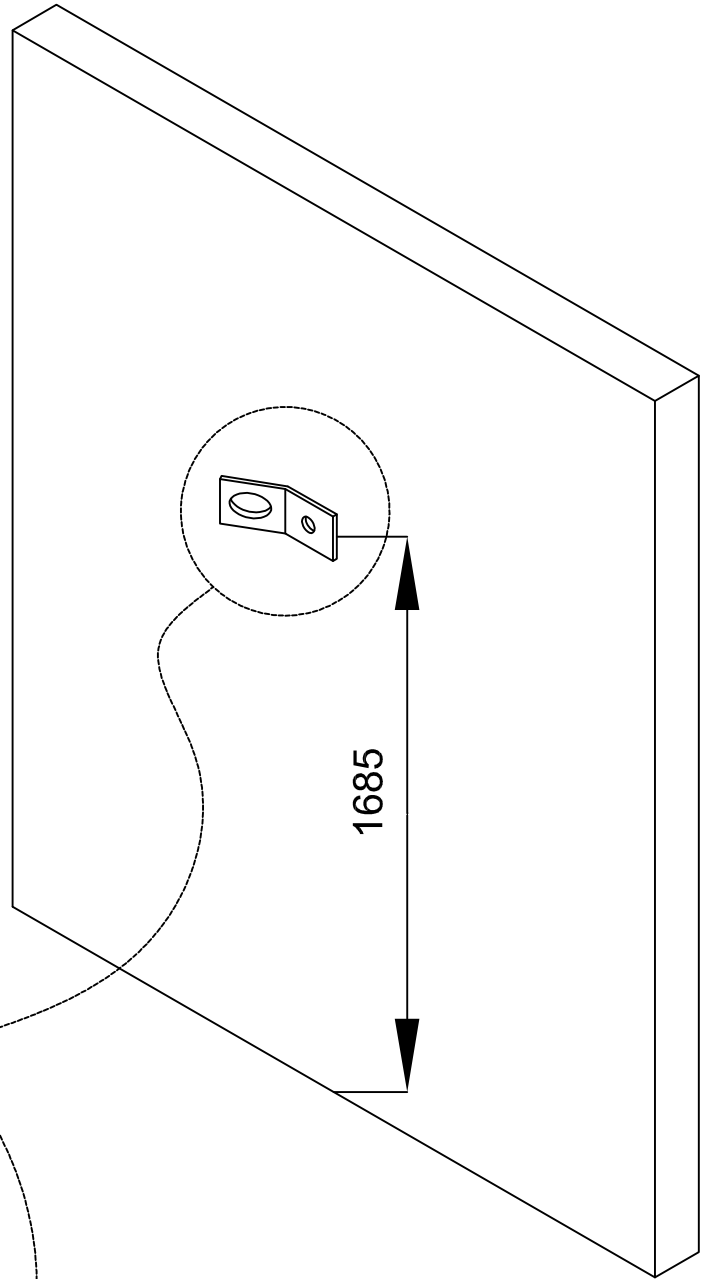
STEP 10: Following below illustration:

M-2	M-5	D
		
2pcs	2pcs	6pcs



STEP 11: Following below illustration:

M-2	M-4	M-3
		
2pcs	2pcs	2pcs

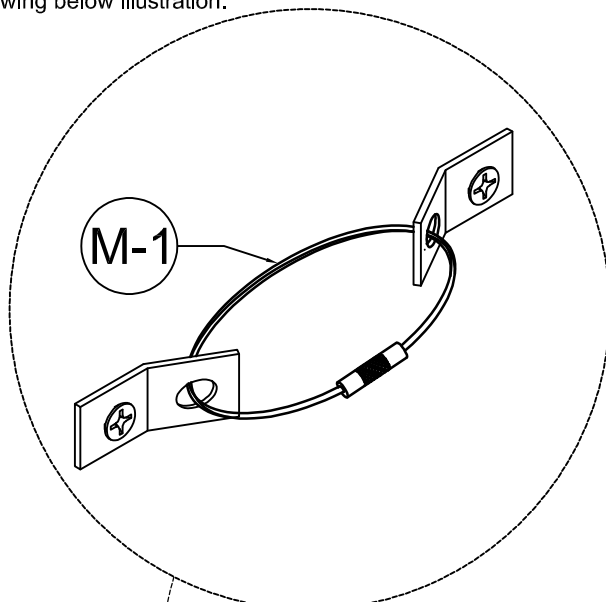


STEP 12: Following below illustration:

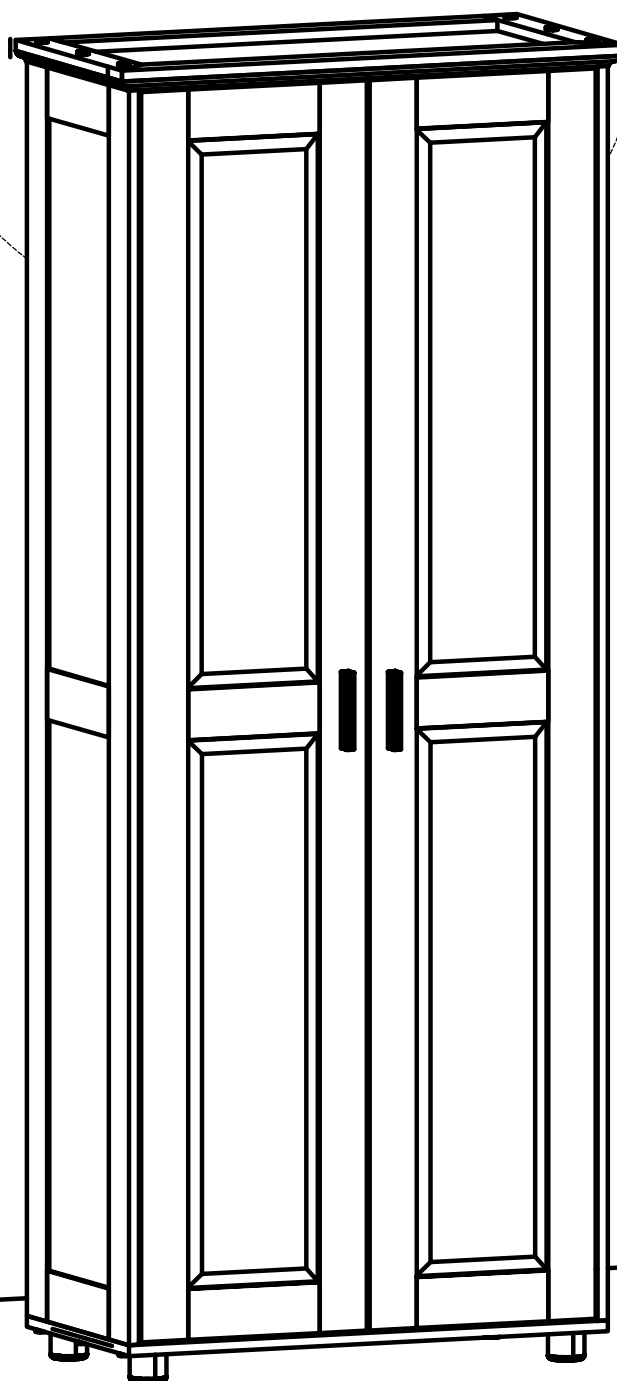
M-1



2pcs



M-1



FINISH

