

ASSEMBLY INSTRUCTIONS

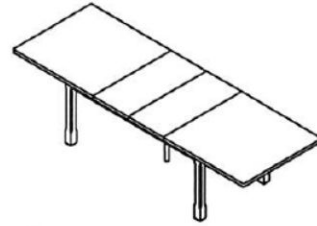


Figure 2

BEFORE YOU START:

1. Check the parts against the parts list to make sure all items are present.
2. Assemble your furniture on a soft, flat surface to avoid scratching the finish.
3. **CAUTION:** Do not over tighten screws, nuts or bolts during assembly.
4. Your furniture may require occasional tightening.

INSTRUCTIONS:

1. Lay the top on a clean and padded surface to prevent scratches, Put the hanger bolts on the leg into the holes on the corner block of table top. Attach legs with Flat Washer (C), Lock Washer (B), Hex Nut (A) on each hanger bolt and tighten with Wrench (D). (See Figure 1)

2. Turn the support leg side down. (See Figure 2)

3. Unlock the table locks and slide open the table halves. Place the Leaf to the Top. Lock the table locks, which are located on the underside of the table secure the table halves in place. (See Figure 3)

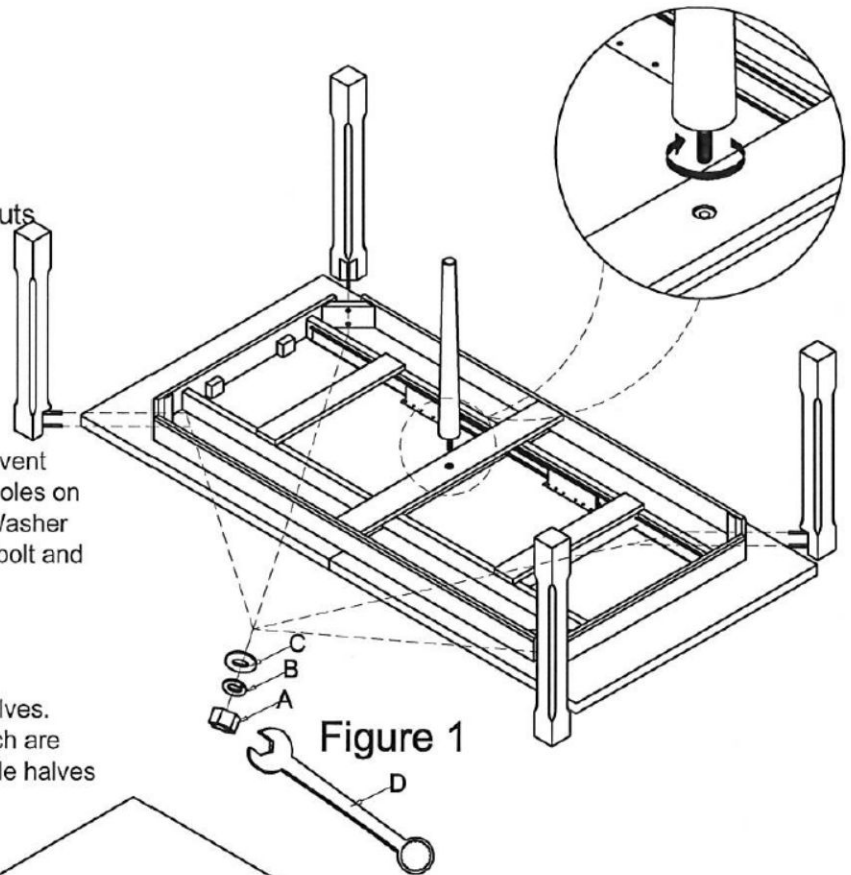


Figure 1

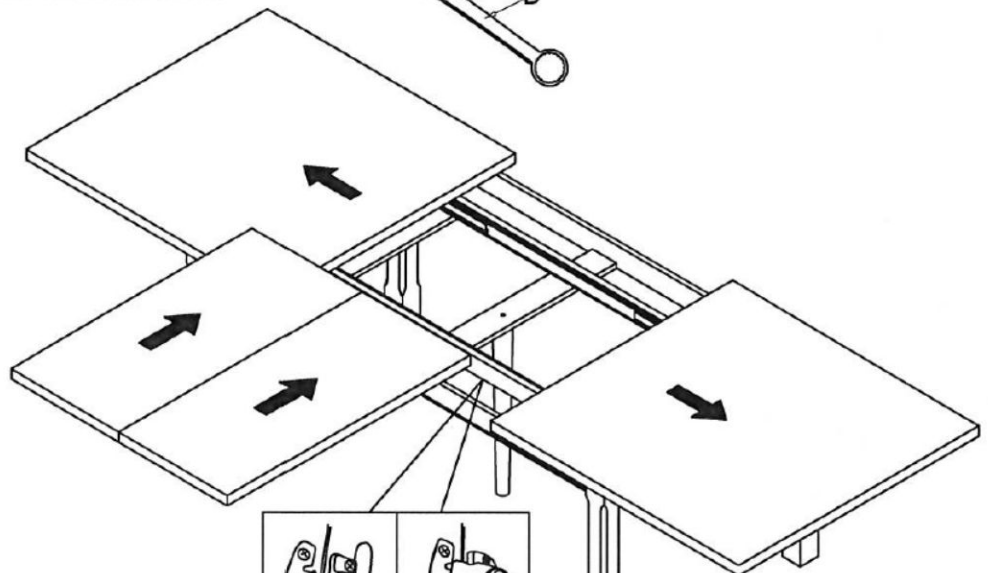






Figure 3

No.	Hardware List		Q'ty
A		Hex Nut Ø5/16"	8
B		Lock Washer Ø5/16"	8
C		Flat Washer Ø5/16"	8
D		Spanner Wrench 12mm	1

