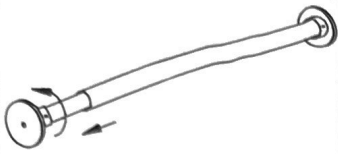


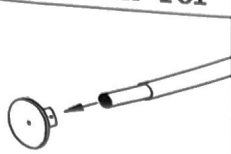
Tension Rod Installation Instructions-A

Helpful Hints—Spring Mount (Rods 18"-30", 30"-52" and 52"-90")
 Read carefully before starting

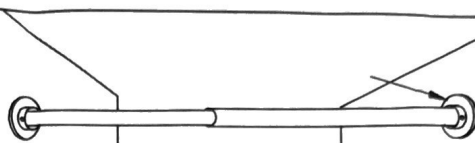
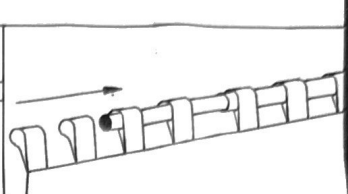
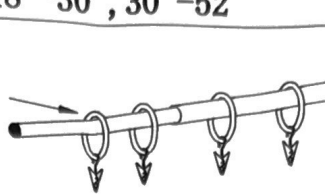
Installation for 18"-30", 30"-52"



1. Rotate rod counter clockwise, so its length is a 1/2" to 1" longer than the opening.

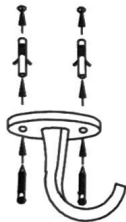


2. Unscrew end caps, slide curtain or ring onto rod.

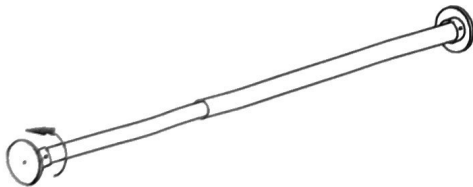


3. Position one end of the rod on the mounting surface and compress the other end to put it in position.

Installation for 52"-90"



1. Install support hook in center of window..









2. Rotate rod clockwise so that it is 1 inch shorter than opening.




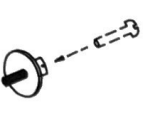
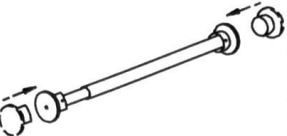
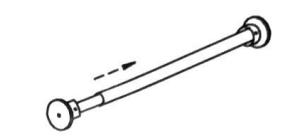
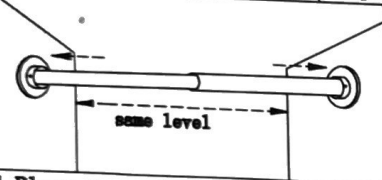
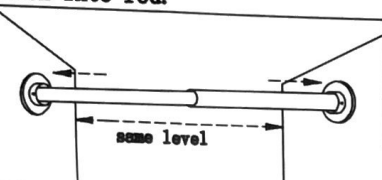
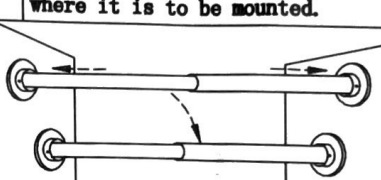
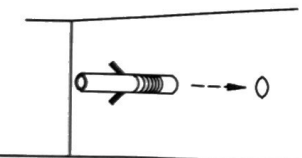
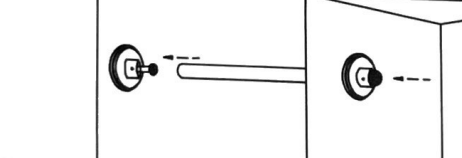
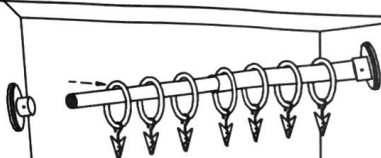
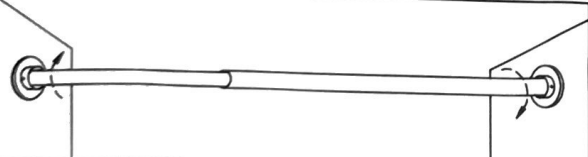
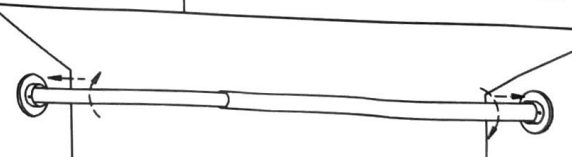
3. Follow instructions step 2 for 18"-30" rods. Slide rod into support hook and extend rod until the fit is secure.

Tension Rod Installation Instructions-B

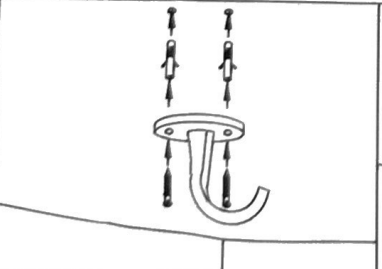
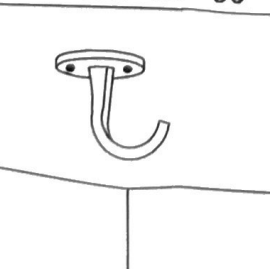
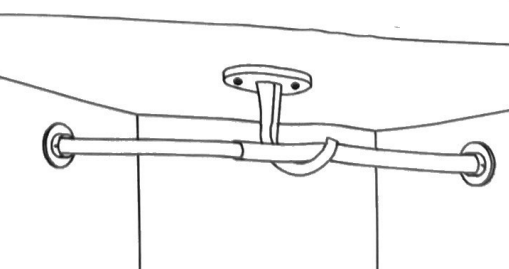
Helpful Hints—Spring Mount (Rods 18"–30", 30"–52" and 52"–90")
Read carefully before starting

Tools Required:	Hardware					
—Drill with 3/16" drill bit —Phillips-head screw driver —Level						
	Mounting screw #2	Wall Anchor #2	Allen Key #1	Ceiling Support and Mounting Screws (for 52"–90")		

Installation for 18"–30", 30"–52"

			
1. Use Allen key to unscrew end caps from rod.	2. Install screws into end caps so that 1/16" of point is showing. Screw end caps back into rod.		3. Rotate rod so that it is 1/2" to 1" longer than the opening where it is to be mounted.
			
4. Place one end of rod in desired position. Compress rod and release the other side in its position. Make sure rod is level.		5. Compress rod and remove.	
			
6. Drill 3/16" holes in the screw marks. insert wall anchors if needed.	7. Remove end caps from rod and screw into wall.	8. Slide rings or curtain onto rod.	
			
9. Rotate large diameter pipe 3 turns into one of the end caps. Rotate the other end of pipe into other end cap. Continue to tighten rod until it is flat against both end caps.			

Installation for 52"–90"

		
1. Install support hook in center of window, so that hook opening is facing room.		2. Follow steps 1–9 for 18"–30" and 30"–52" installation.