

# Instruction Manual

Please save this manual for future reference.

<b>Product Name:</b>	Upholstered Club Swivel Chair with Base
----------------------	---

Thank you for purchasing this LuxenHöme product. This product has been manufactured with the highest standards of safety and quality.

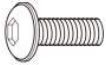

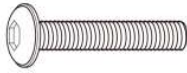





## PLEASE READ ALL INSTRUCTIONS CAREFULLY BEFORE ASSEMBLY.

Unpack all parts from the packaging inside the carton to ensure there are no missing or damaged parts. Lay out all the chair parts on a clean, flat, and soft surface to prevent scratches. Refer to the steps provided as assembling guide.

Do not attempt to assemble or use the product if any parts are missing or damaged.

## CARTON CONTENTS:

Hardware:




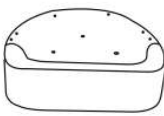
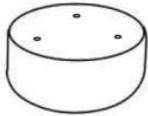
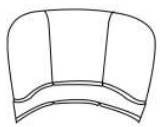
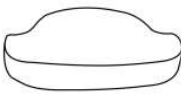



① × 8+1	② × 6+1	③ × 3+1	④ × 9+1	⑤ × 6+1	⑥ × 6+1
					
M6×14mm	M8×60mm	M8×35mm	Φ22mm washer	nut	Spring washer
⑦ × 1	⑧ × 1				
					
M5 Allen wrench	Socket wrench				

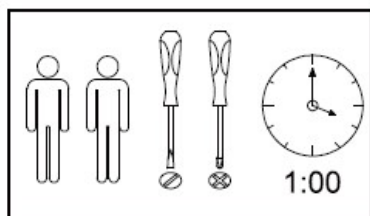
# Instruction Manual

Please save this manual for future reference.

<b>Product Name:</b>	Upholstered Club Swivel Chair with Base
----------------------	---

## Chair Parts:

(A) ×1	(B) ×1	(C) ×1	(D) ×1	(E) ×1	(F) ×1
					
Seat back frame	Seat back frame	Seat back frame	Seat base frame	Wood leg frame	Back Frame cover
(G) ×1	(H) ×1	(I) ×1	(J) ×1		
					
Seat cushion	Back Cushion	Metal leg	Swivel plate		



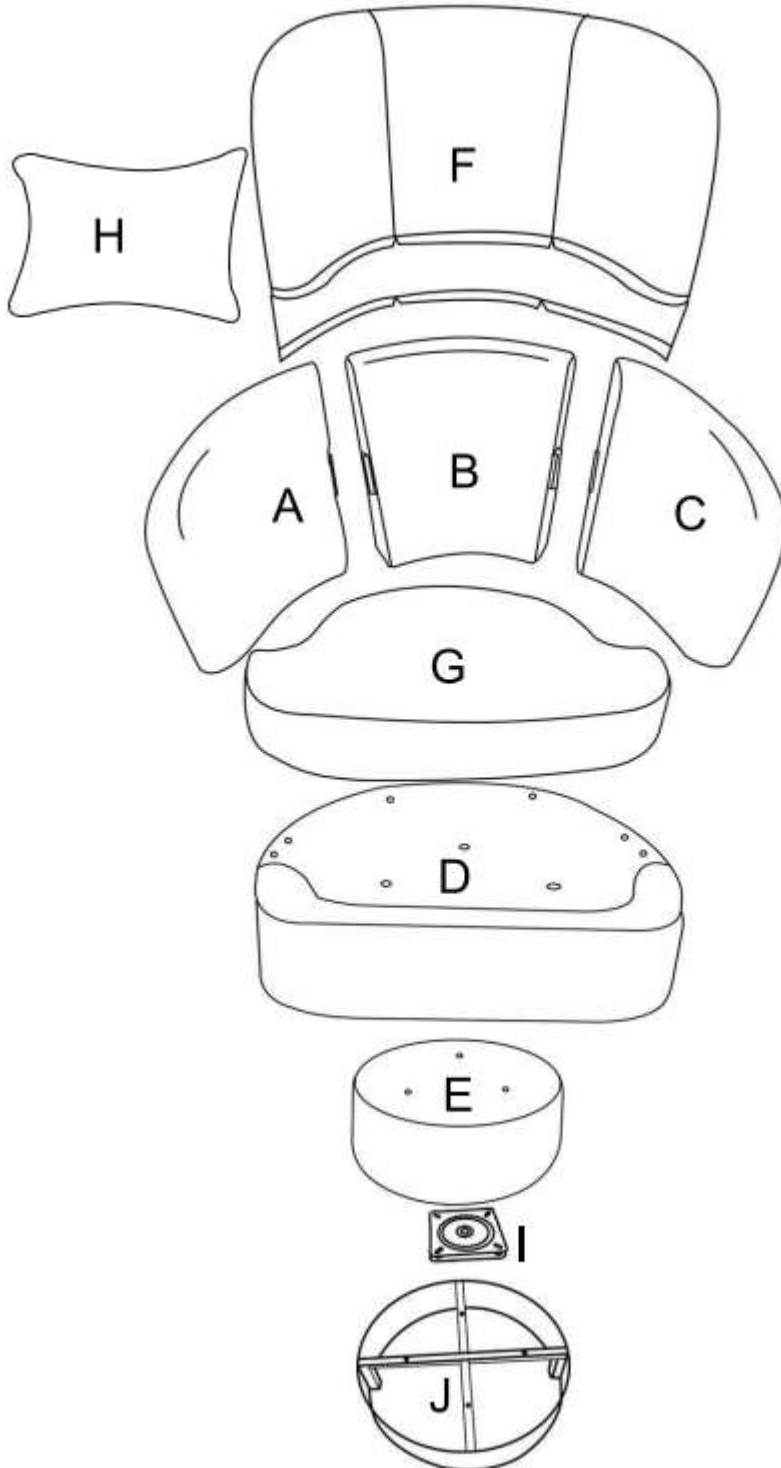
**Tools required for assembly:** Allen Wrench (if using power tools, use with care)

# Instruction Manual

Please save this manual for future reference.

<b>Product Name:</b>	Upholstered Club Swivel Chair with Base
----------------------	---

## Assembly:

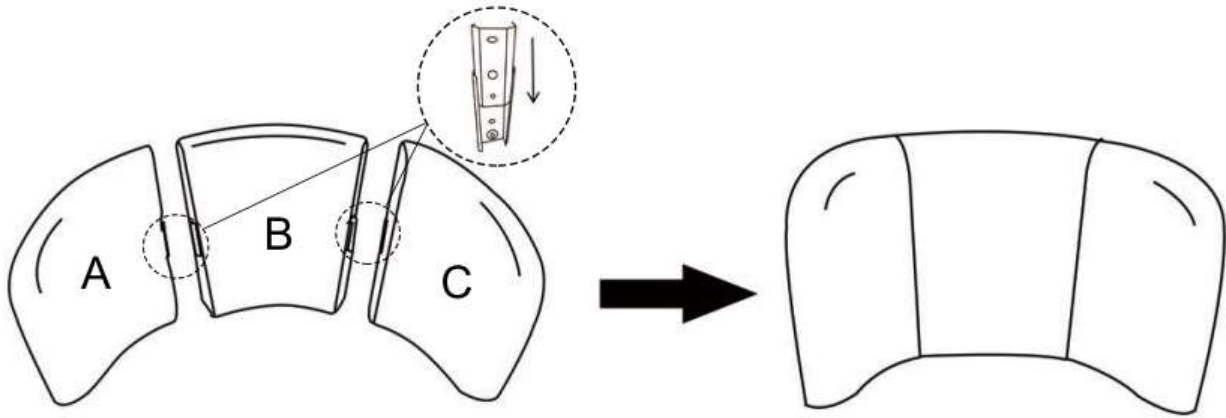


# Instruction Manual

Please save this manual for future reference.

<b>Product Name:</b>	Upholstered Club Swivel Chair with Base
----------------------	---

**Step 1** – Connect the Parts (A) and (C) to the Part (B) as shown.

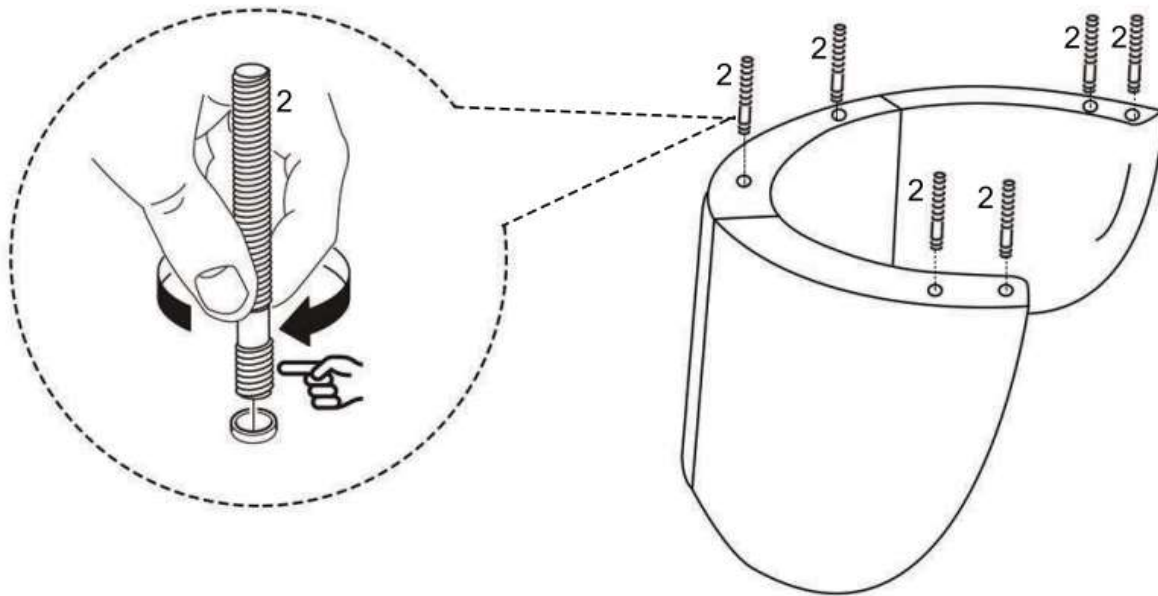
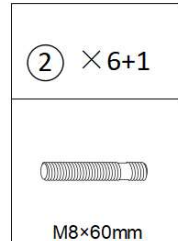


# Instruction Manual

Please save this manual for future reference.

<b>Product Name:</b>	Upholstered Club Swivel Chair with Base
----------------------	---

**Step 2:** Screw the Bolts (Part 2) into the screw holes on the bottoms of the Back frame from step 1 as shown.







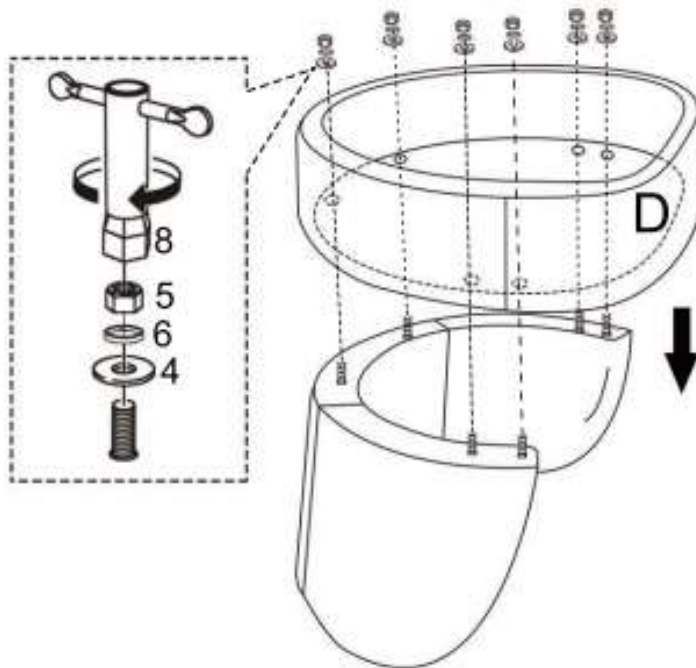
# Instruction Manual

Please save this manual for future reference.

<b>Product Name:</b>	Upholstered Club Swivel Chair with Base
----------------------	---

**Step 3:** Connect the Assembly from step 2 to the Seat base frame (Part D) with the Bolts M8X60mm (Part 2), the Flat washer (Part 4), the nuts (Part 5) and the Spring washer (Part 6) using the Socket wrench (Part 8).

④ × 6	⑤ × 6	⑥ × 6	⑧ × 1
			
Φ22mm washer	nut	Spring washer	Socket wrench






# Instruction Manual

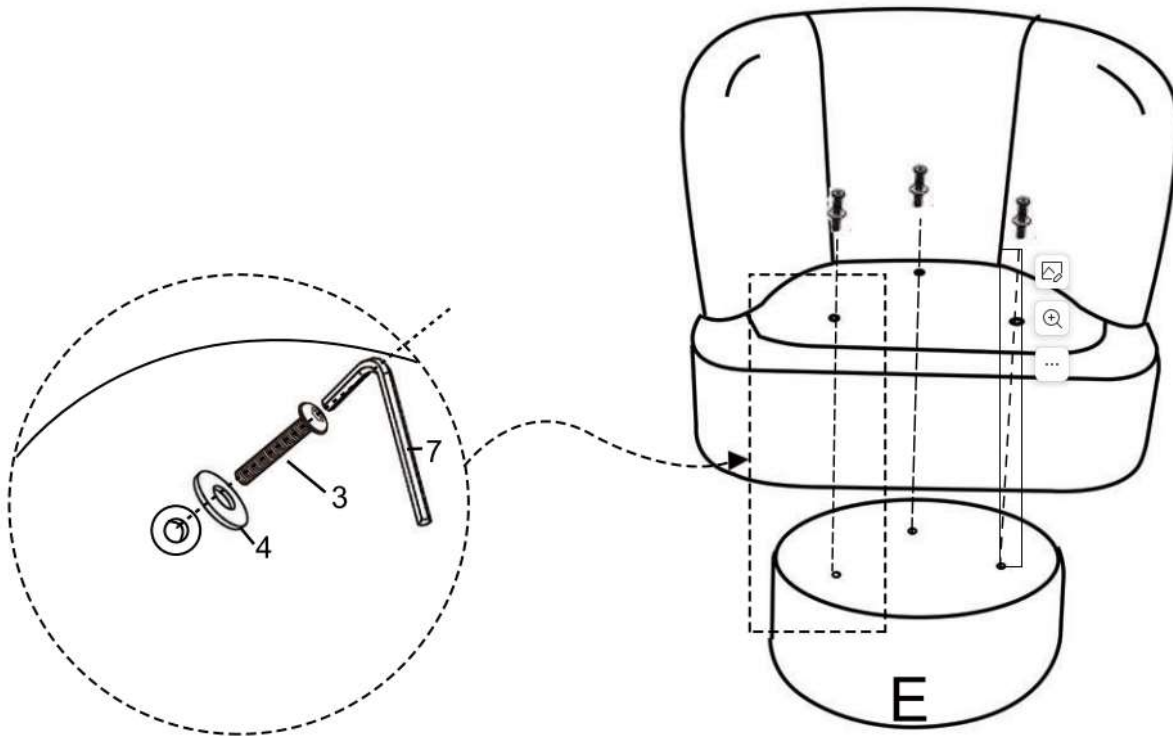
Please save this manual for future reference.

<b>Product Name:</b>	Upholstered Club Swivel Chair with Base
----------------------	---

**Step 4:** Attach the Wood leg base (Part E) to the assembly from step 3, using Bolts (Part 3) and Flat Washers (Part 4).

Note: Loosely attach the bolts one by one and keep them loose. Do not fully tighten. After all 3 bolts are attached, use Allen Wrench (Part 7) to tighten.

③ × 3	④ × 3	⑦ × 1
		
M8×35mm	Φ22mm washer	M5 Allen wrench





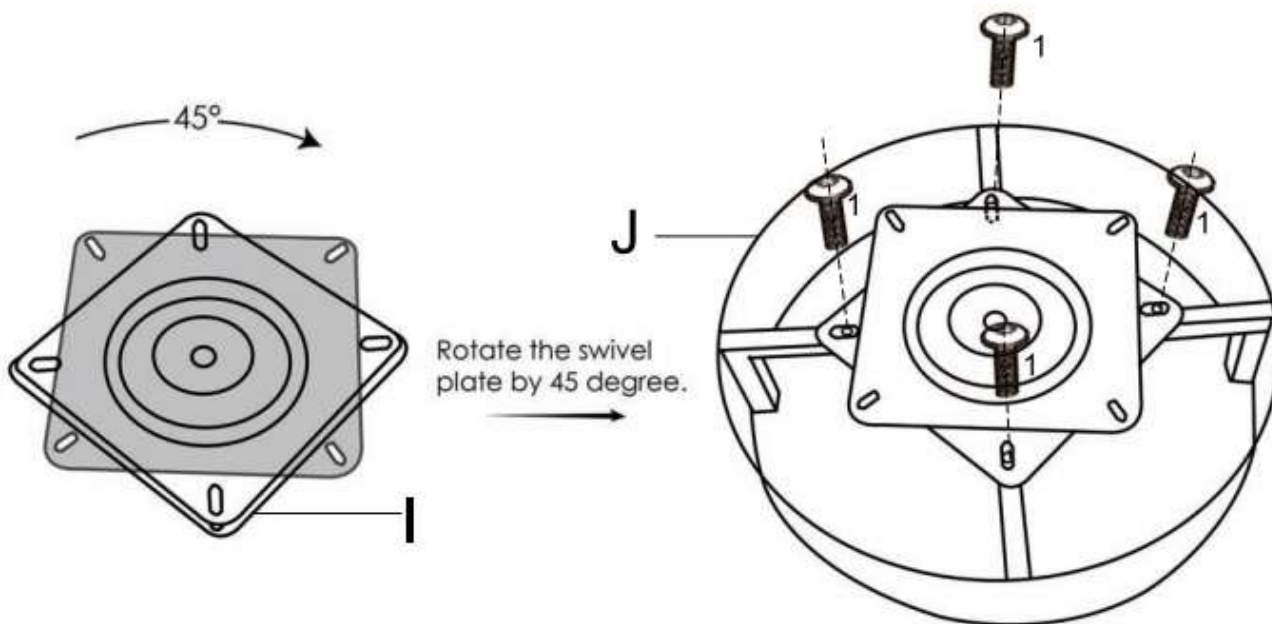
# Instruction Manual

Please save this manual for future reference.

<b>Product Name:</b>	Upholstered Club Swivel Chair with Base
----------------------	---

**Step 5:** Attach the Swivel plate (I) to the Metal leg (J) using Bolts (1), tighten with the M5 Allen Wrench (7).

① × 4	⑦ × 1
	
M6×14mm	M5 Allen wrench

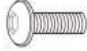



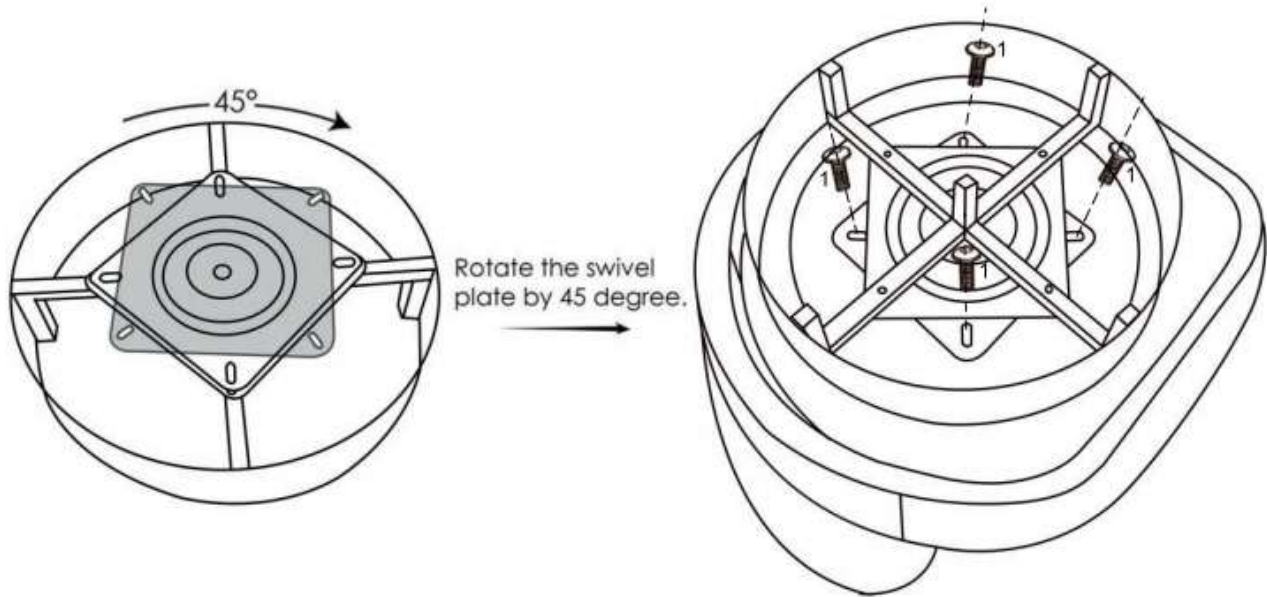
# Instruction Manual

Please save this manual for future reference.

<b>Product Name:</b>	Upholstered Club Swivel Chair with Base
----------------------	---

**Step 6:** Attach the metal base from step 5 to the assembly from step 4 using Bolts (1) tighten with the M5 Allen Wrench (7).

① × 4	⑦ × 1
	
M6×14mm	M5 Allen wrench

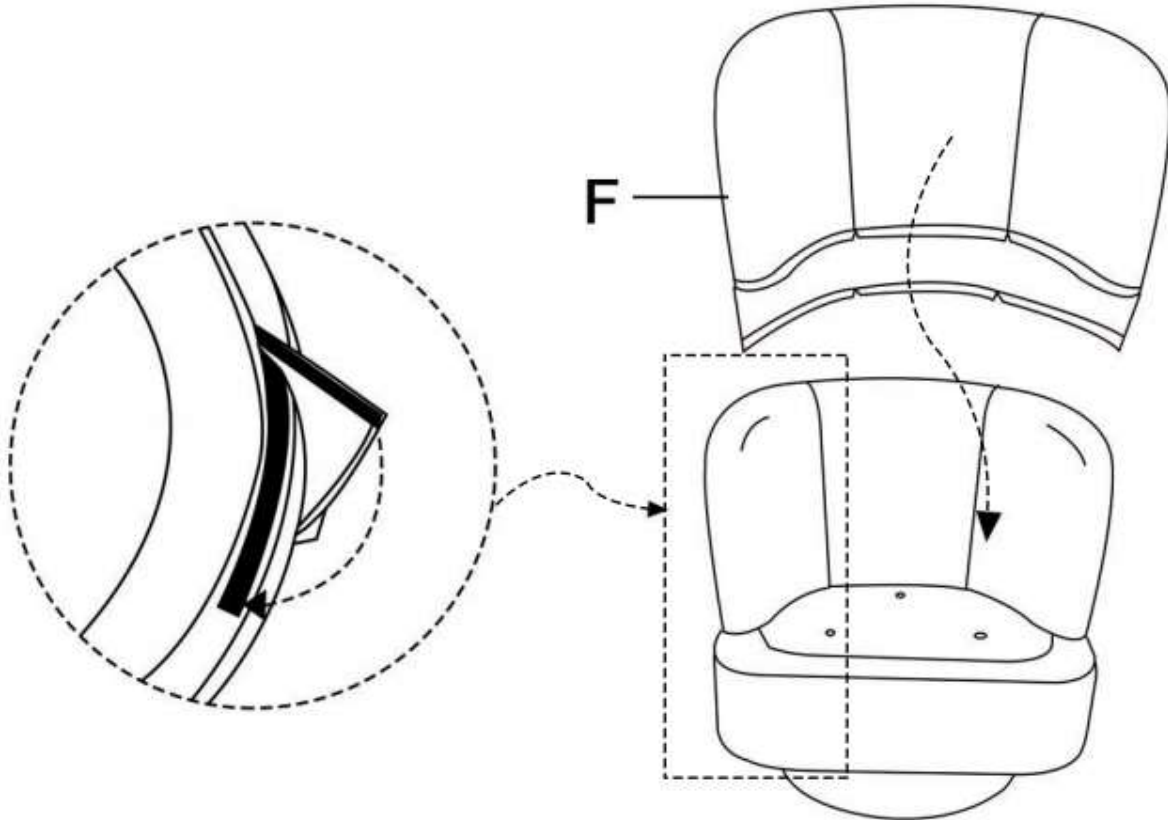


## Instruction Manual

Please save this manual for future reference.

<b>Product Name:</b>	Upholstered Club Swivel Chair with Base
----------------------	---

**Step 7:** Put the cloth (F) cover on the chair assembled from step 6 as show then attach the Velcro.

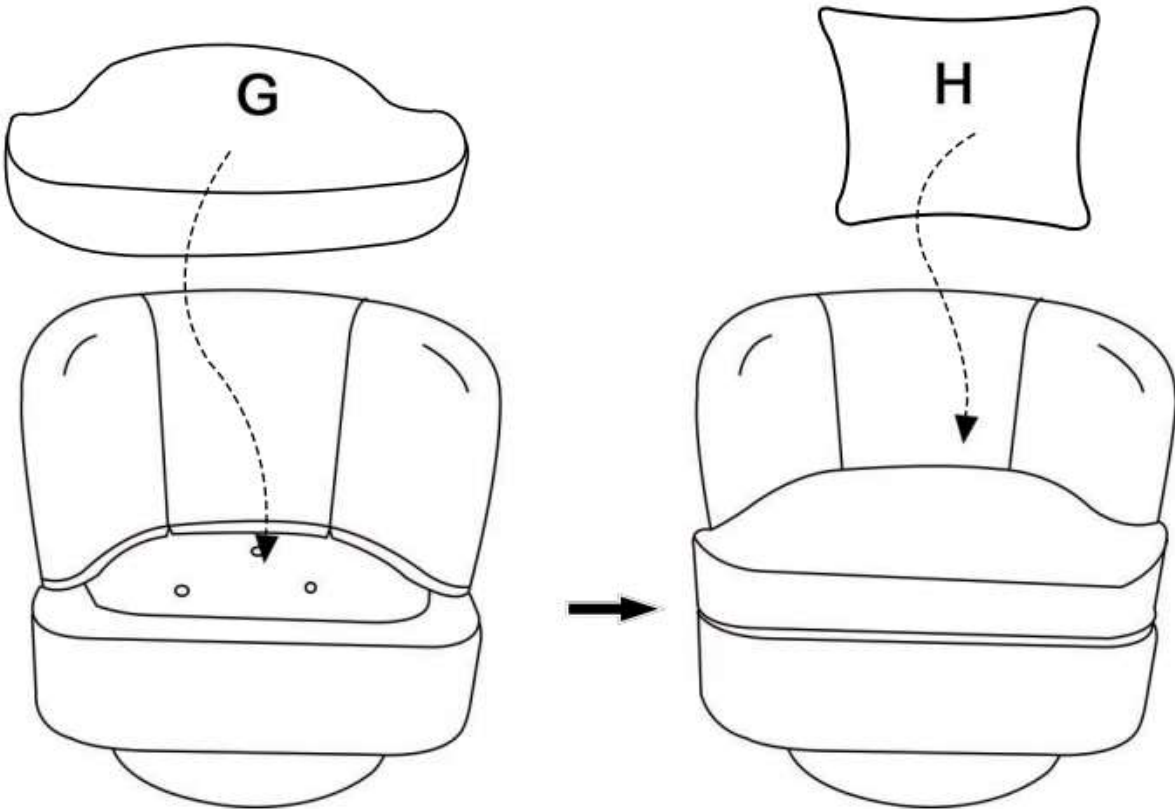


## Instruction Manual

Please save this manual for future reference.

<b>Product Name:</b>	Upholstered Club Swivel Chair with Base
----------------------	---

**Step 8:** Attach the Seat Cushion into the Seat base then Lay the back cushion on the seat back as shown.

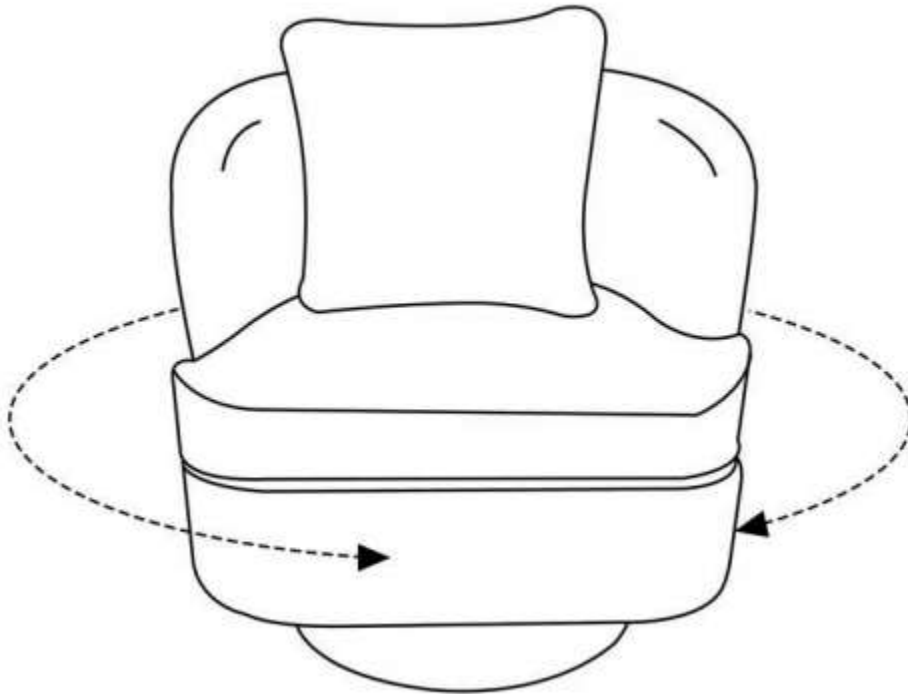



## Instruction Manual

Please save this manual for future reference.

<b>Product Name:</b>	Upholstered Club Swivel Chair with Base
----------------------	---

Assembly complete. Take a spin and enjoy !



 **Warning:** DO NOT stand on the chair as this may damage the product and cause serious bodily injury.