












Assembly Instructions

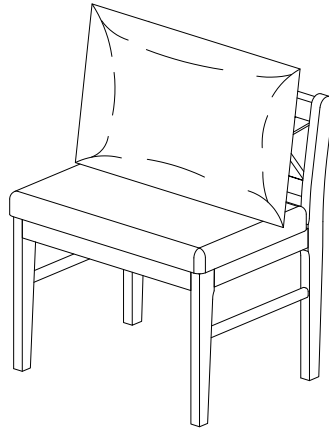
Caution : You must read this before you proceed

Care & Maintenance

- ⊘  ● Not for commercial use. For residential use only.
- ✓  ● Furniture may scratch floors. We recommend using furniture pads to protect your floors.
- ⊘  ● Do not put hot items directly on furniture surface.
- ⊘  ● Do not clean furniture with harsh cleansers or polish.
- ⊘  ● Do not place furniture under direct sunlight.
- ⊘  ● Do not place furniture near heating or cooling vents.
- ⊘  ● Do not write on furniture without a padded barrier to protect the surface.
- ⊘  ● Do not place furniture outside . For indoor use only.
- ⊘  ● Stains may be removed with mild soap solution and damp cloth.
- ⊘  ● Children should not climb or jump on the furniture.
- ✓  ● Dust and pick-up spills using a clean, non-colored, lint-free cloth.

Please look in carton for hardware packs and legs.
Sets often ship in multiple boxes and may arrive a day or two apart.

SIDE CHAIR



Parts List

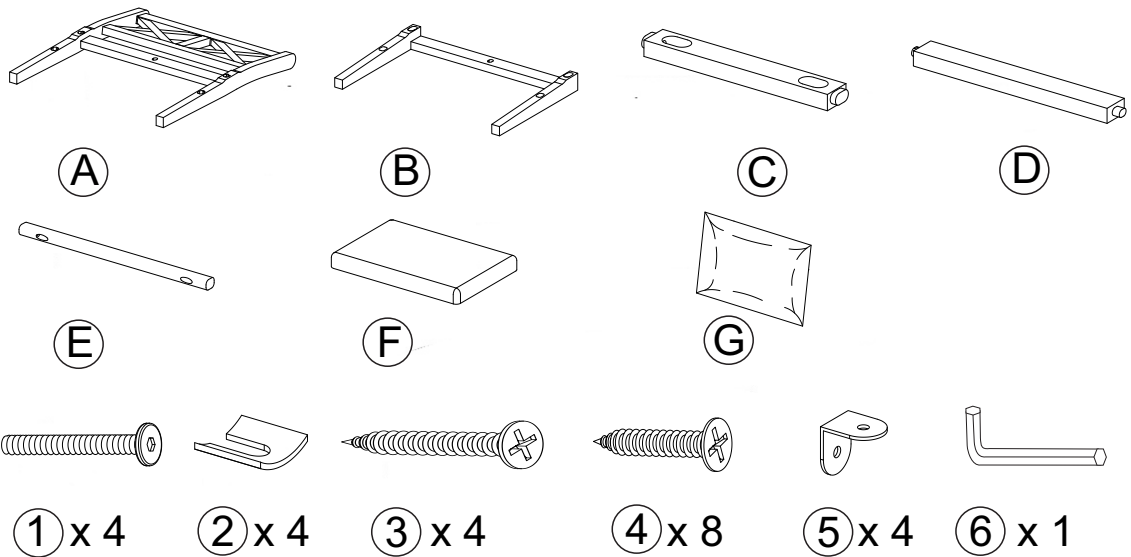
Label	Picture	Description	QTY
Ⓐ		Chair Back	1
Ⓑ		Front Leg Frame	1
Ⓒ		Side Apron	2
Ⓓ		Center Apron	1
Ⓔ		Stretcher	2
Ⓕ		Cushion Seat	1
Ⓖ		Cushion Back	1

Hardware

Label	Picture	Description	QTY
①		Bolt (M6x45)	4
②		Curved Washer	4
③		Screw (4x35)	4
④		Screw (3x15)	8
⑤		L-bracket	4
⑥		Allen Wrench	1

Assembly Preparation

Before Beginning Assembly :



- Read instructions, cover to cover-



- Have 2 adults on hand for assembly-



- Do not assemble on flooring or carpet-



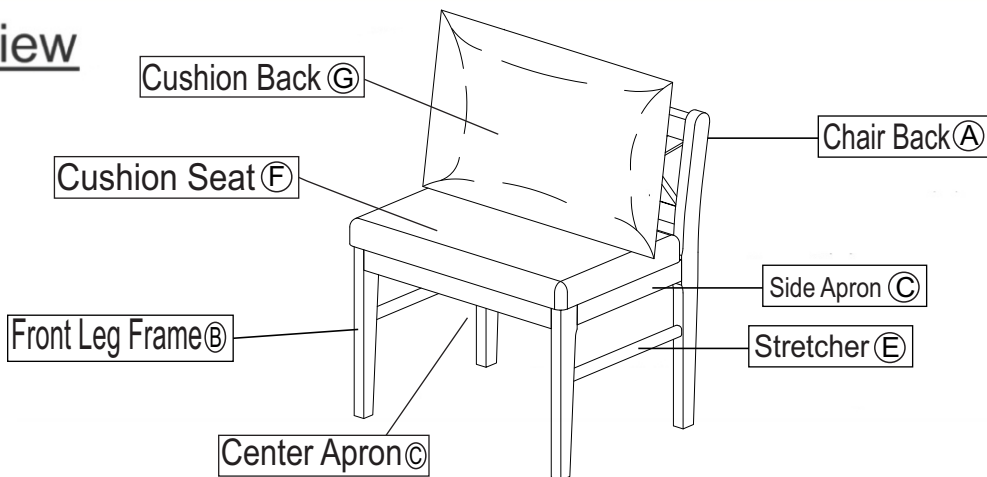
- Assemble on a clean non-marring surface (packing foam)-



- Save all packaging until finished-

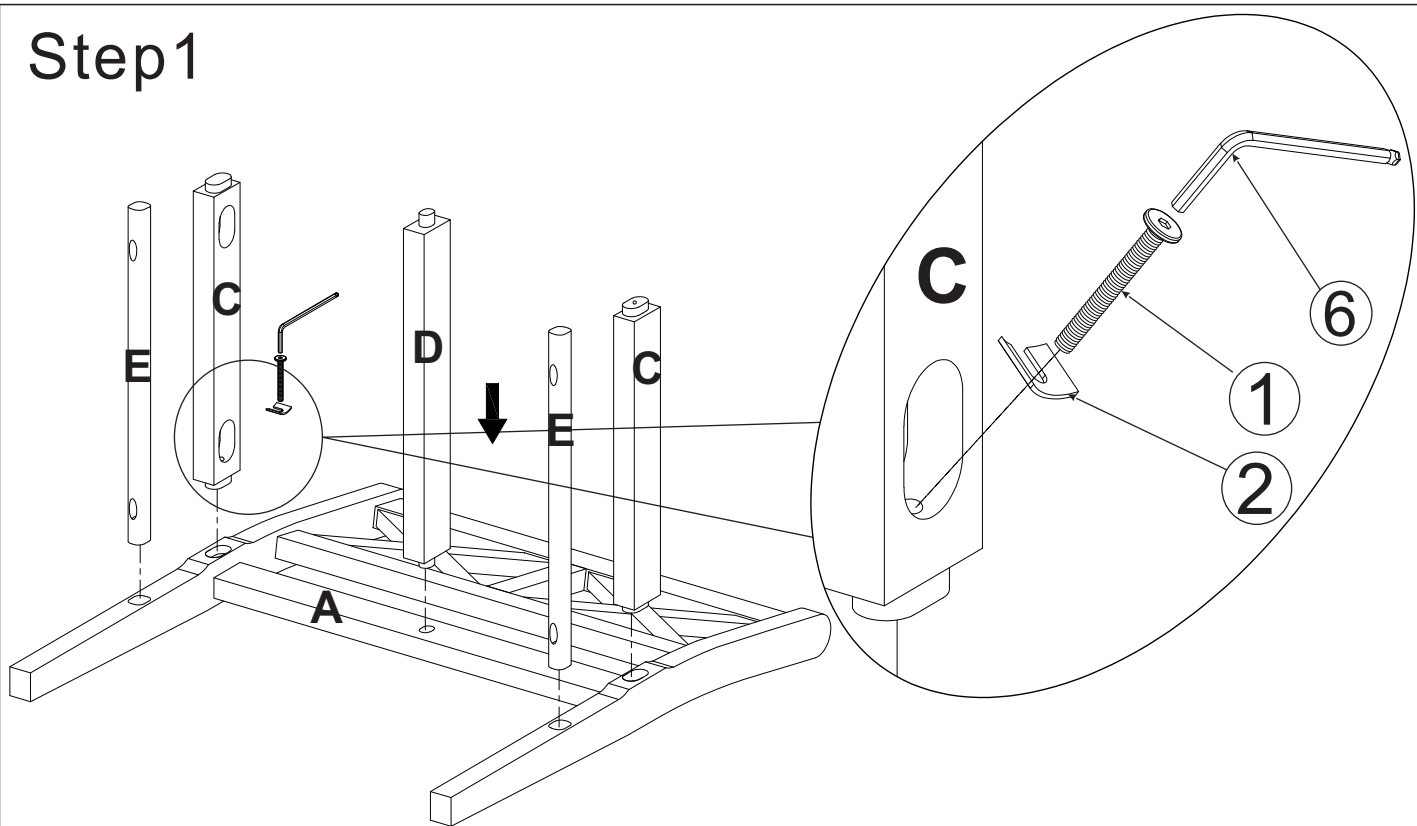
Assembly Steps

Overview



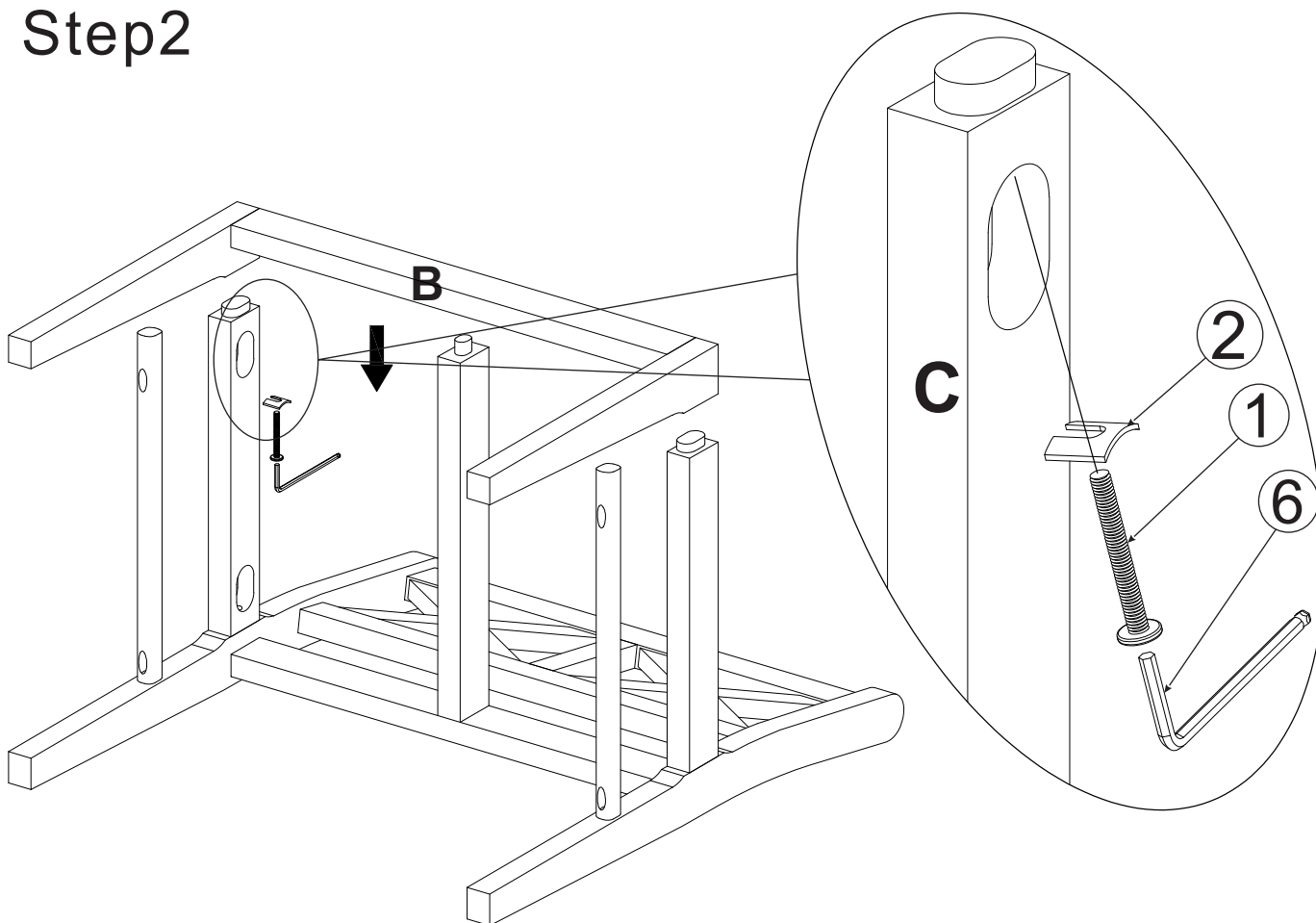
This chair has multiple parts and may require up to 30 minutes to assemble. The picture above provides an overview of the chair parts to help you visualize and understand each component. Please read through the instructions below to familiarize yourself with the parts and steps before assembly.

Step1



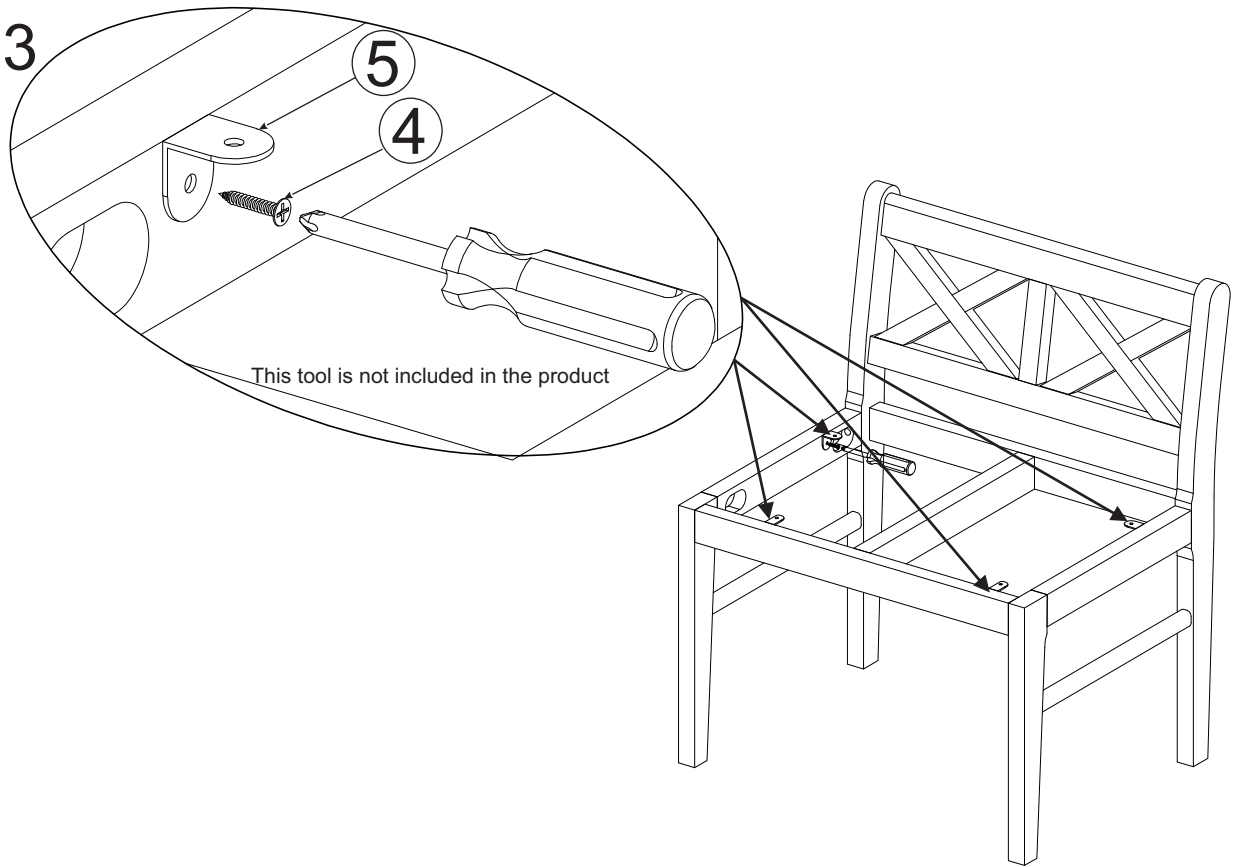
Attach Side Apron (C) to the Chair Back (A) using the Allen Wrench (6), Bolt (1), and Curved Washer (2).
Attach Center Apron (D) to the Chair Back. Attach Stretcher (E) to the Chair Back.

Step2



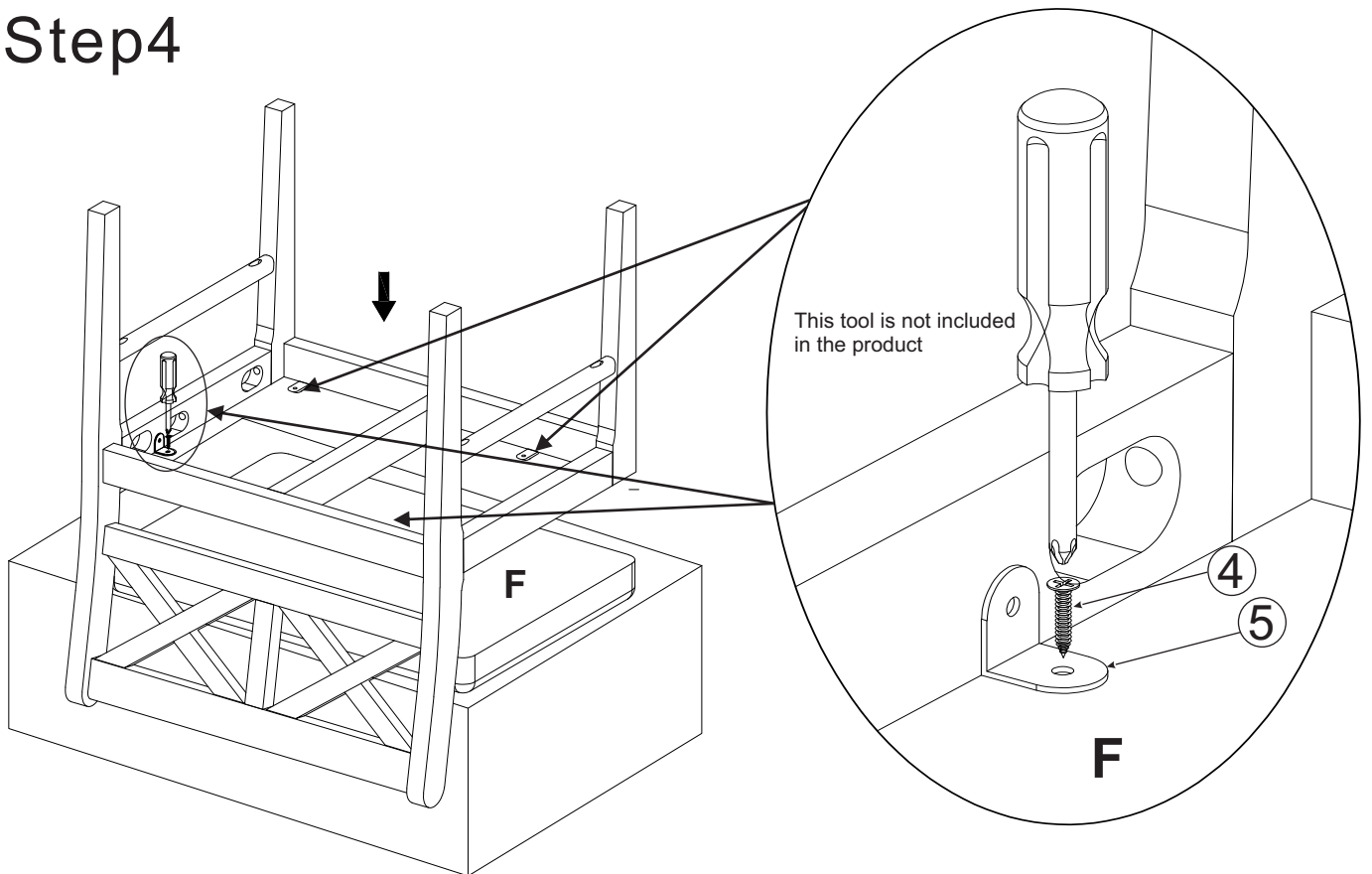
Attach Front Leg Frame (C) to the Side Apron (B) using the Allen Wrench (6), Bolt (1), and Curved Washer (2).

Step 3



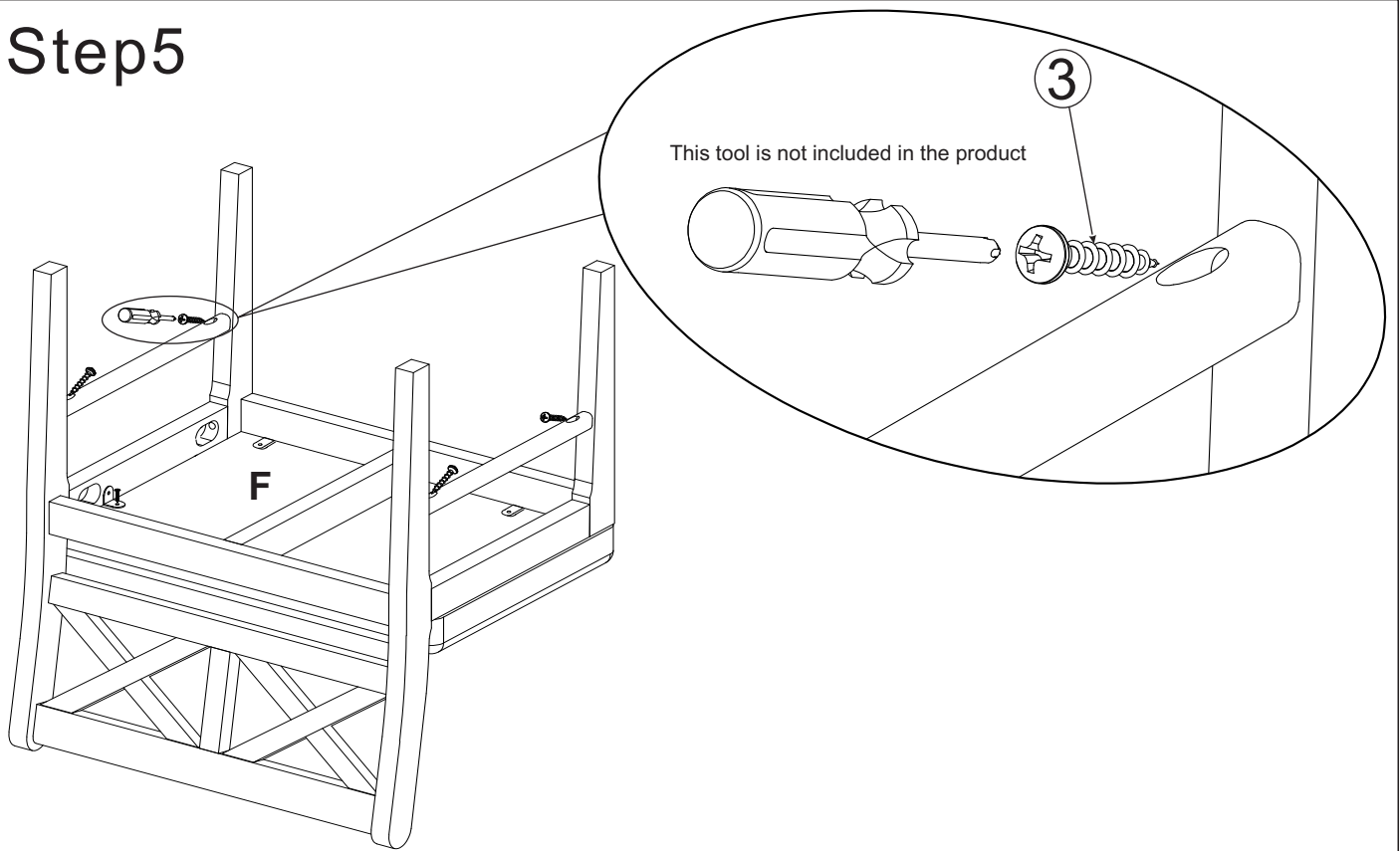
Attach L-bracket (5) to the Side Apron using the assembly tools required (Not Included), Screw (4)

Step 4



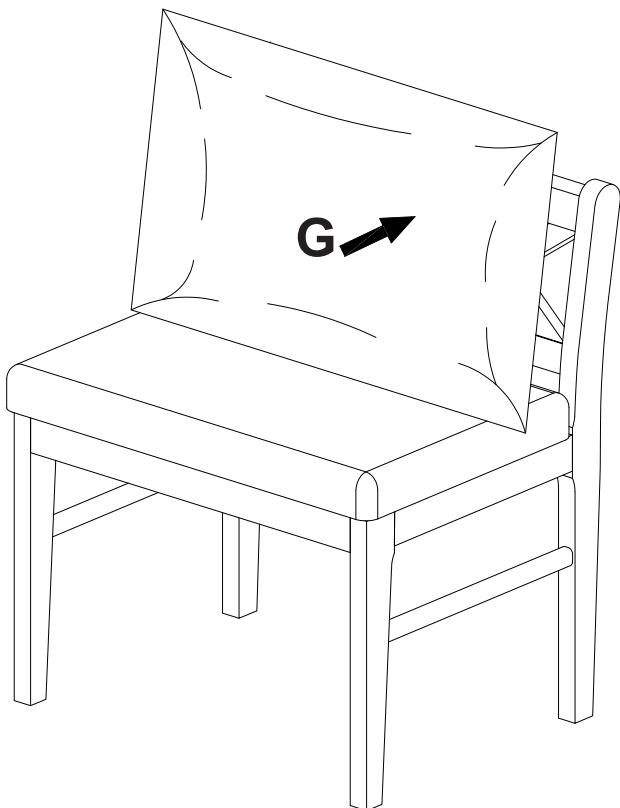
Attach Cushion Seat (F) to the chair frame using the assembly tools required (Not Included), Screw (4), L-bracket (5).

Step5

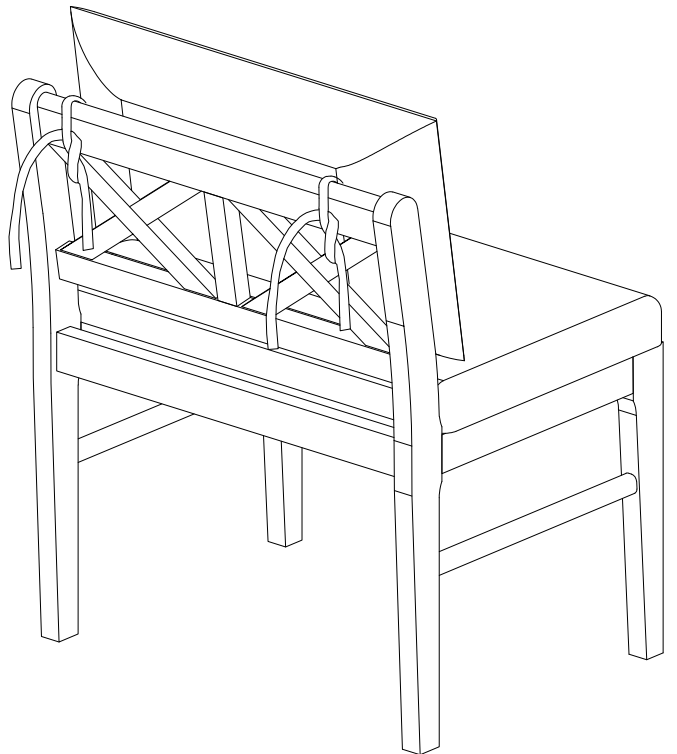


Attach Screw ③ to the Stretcher using the assembly tools required (Not Included)

Step6



Step7



The chair is ready for use.
The chair can only be used on a flat, level surface.