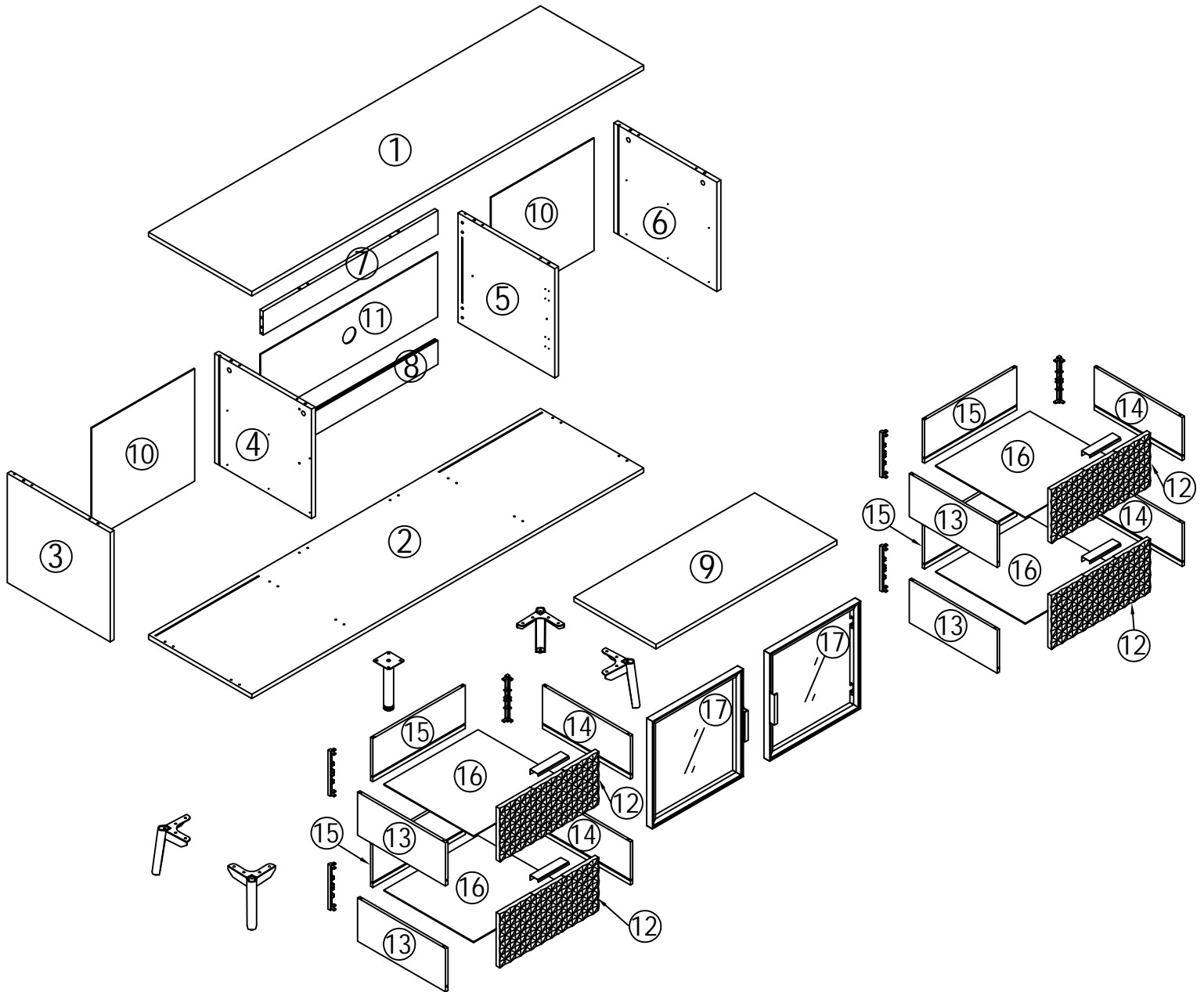
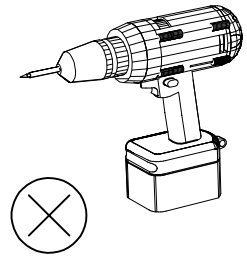
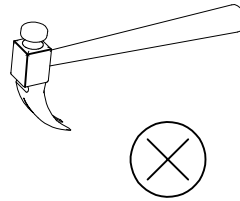
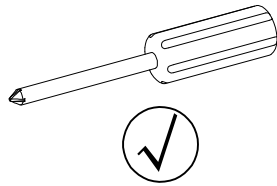
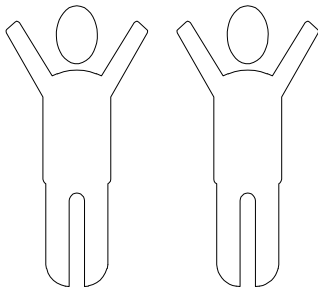


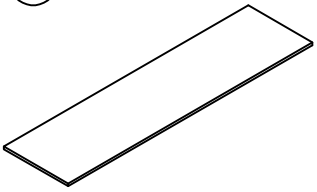
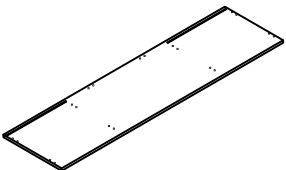
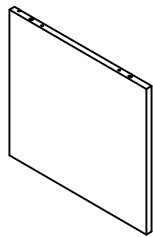
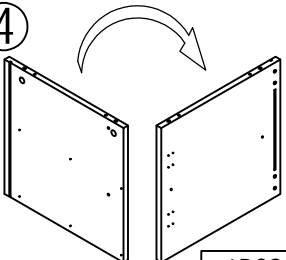
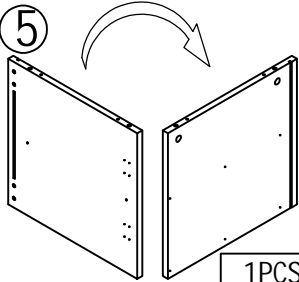
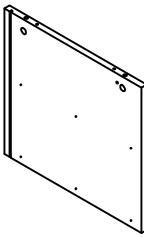
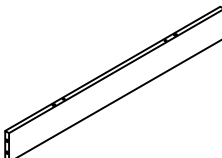
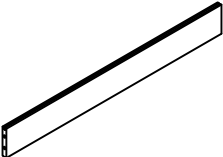
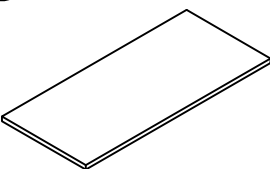
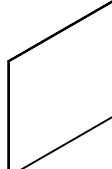
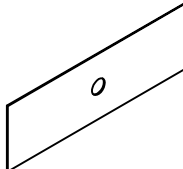
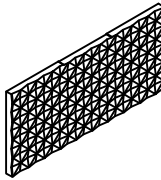
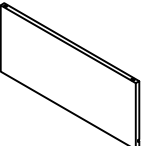
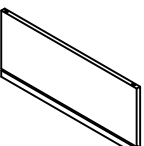
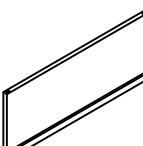
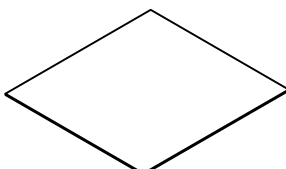
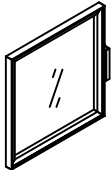
CBN536 V1.0

Parts List(EN)

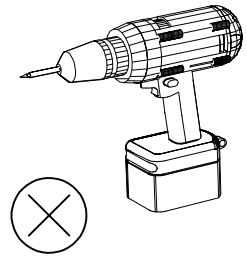
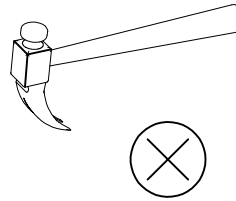
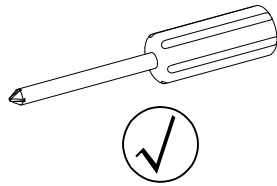
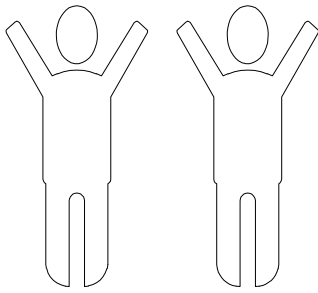




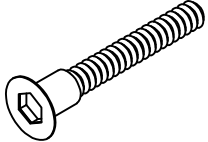
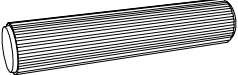
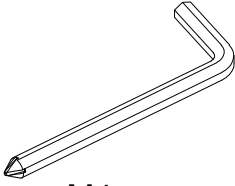
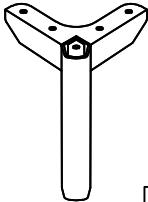



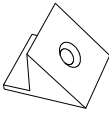
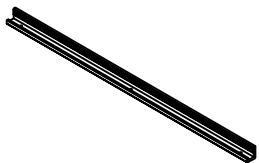

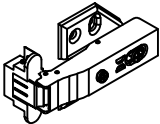
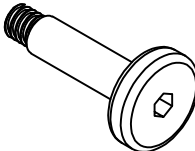
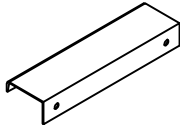
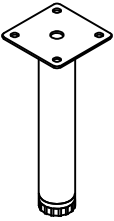
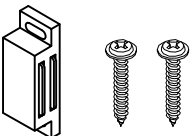
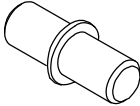
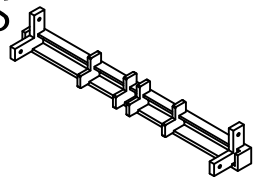
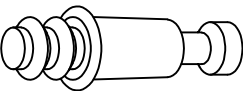
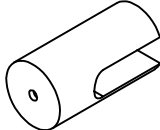
Parts List(EN)



<p>①</p>  <p>1PCS</p>	<p>②</p>  <p>1PCS</p>	<p>③</p>  <p>1PCS</p>	<p>④</p>  <p>1PCS</p>
<p>⑤</p>  <p>1PCS</p>	<p>⑥</p>  <p>1PCS</p>	<p>⑦</p>  <p>1PCS</p>	<p>⑧</p>  <p>1PCS</p>
<p>⑨</p>  <p>1PCS</p>	<p>⑩</p>  <p>2PCS</p>	<p>⑪</p>  <p>1PCS</p>	<p>⑫</p>  <p>4PCS</p>
<p>⑬</p>  <p>4PCS</p>	<p>⑭</p>  <p>4PCS</p>	<p>⑮</p>  <p>4PCS</p>	<p>⑯</p>  <p>4PCS</p>
<p>⑰</p>  <p>2PCS</p>			

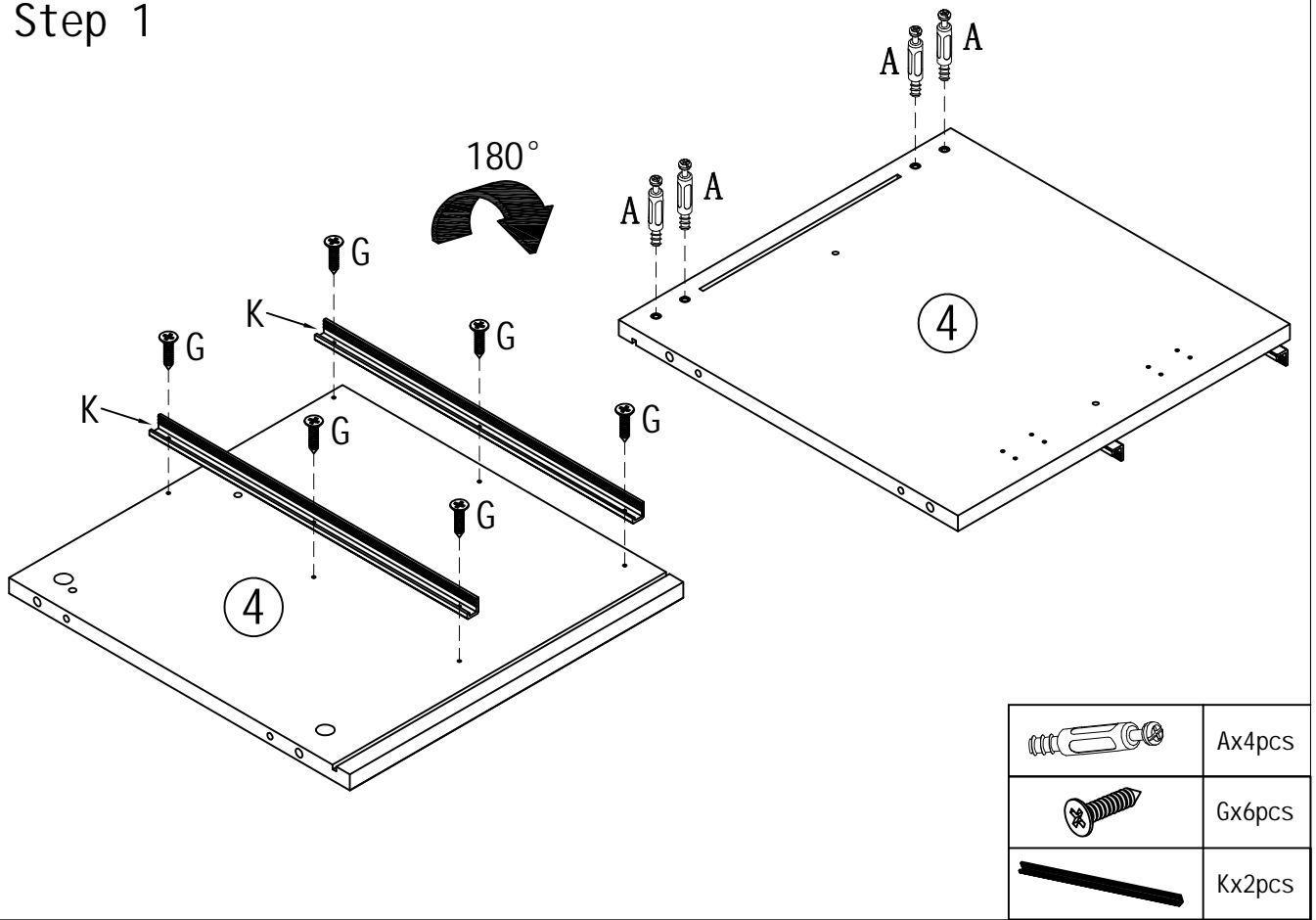
Parts List(EN)



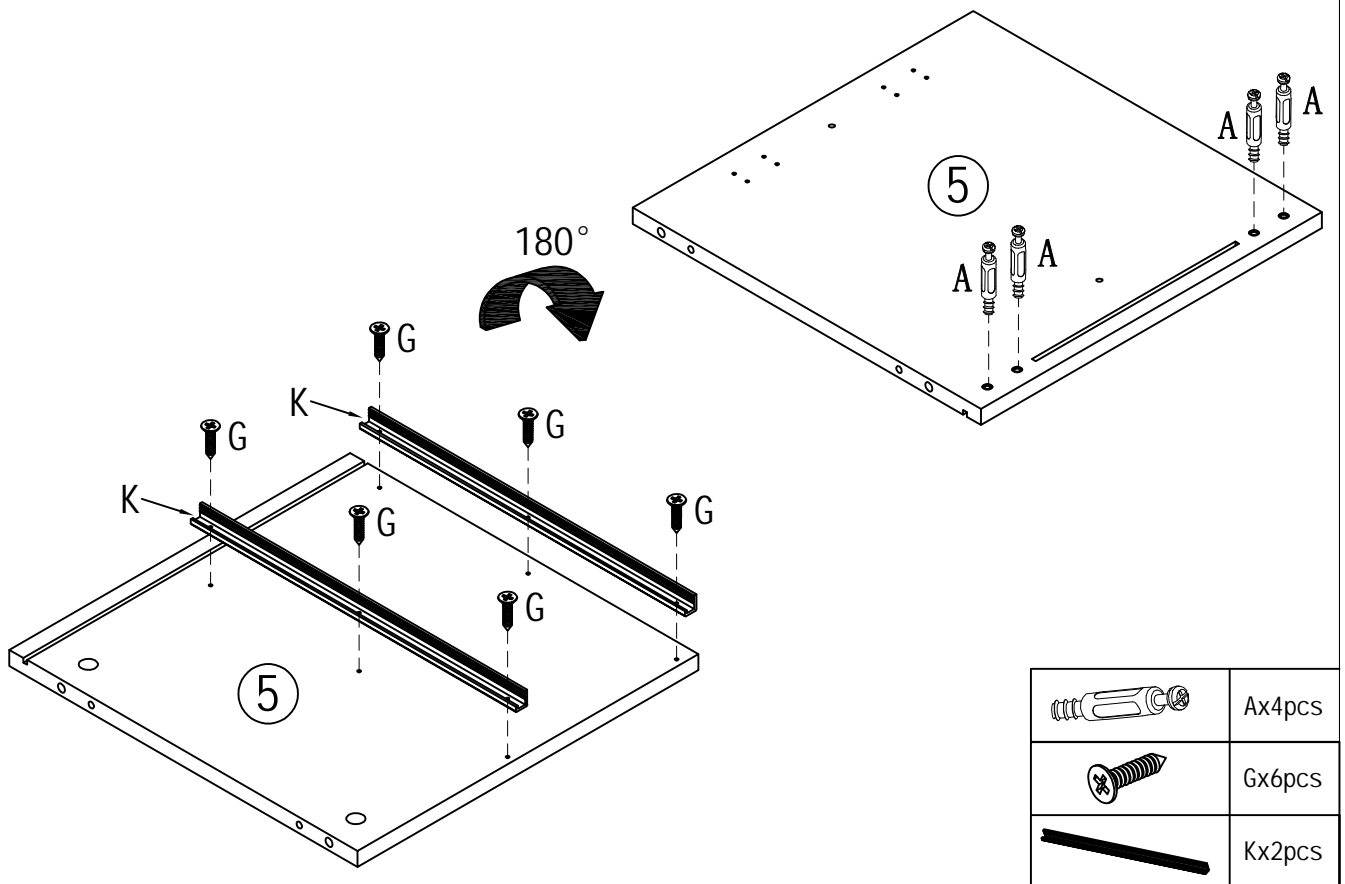
<p>A</p>  <p>$\phi 6 * 37\text{mm}$</p> <p>18+2PCS</p>	<p>B</p>  <p>$\phi 15 * 9.5\text{mm}$</p> <p>18+2PCS</p>	<p>C</p>  <p>ST5*50mm</p> <p>10+2PCS</p>	
<p>D</p>  <p>$\phi 6 * 30\text{mm}$</p> <p>20+2PCS</p>	<p>E</p>  <p>M4</p> <p>1PCS</p>	<p>F</p>  <p>4PCS</p>	<p>G</p>  <p>$\phi 3.5 * 12\text{mm}$</p> <p>40+2PCS</p>
<p>H</p>  <p>8+2PCS</p>	<p>I</p>  <p>$\phi 3.5 * 14\text{mm}$</p> <p>44+2PCS</p>	<p>J</p>  <p>12+1PCS</p>	<p>K</p>  <p>8PCS</p>
<p>L</p>  <p>$\phi 3.0 * 16\text{mm}$</p> <p>32+2 PCS</p>	<p>M</p>  <p>4 PCS</p>	<p>N</p>  <p>8 PCS</p>	<p>O</p>  <p>4PCS</p>
<p>P</p>  <p>1 PCS</p>	<p>Q</p>  <p>1 sets</p>	<p>R</p>  <p>4+1 sets</p>	<p>S</p>  <p>8 PCS</p>
<p>T</p>  <p>$\phi 6 * 24.5\text{mm}$</p> <p>16+2 PCS</p>	<p>U</p>  <p>16+2 PCS</p>		

Assembly Steps(EN)

Step 1

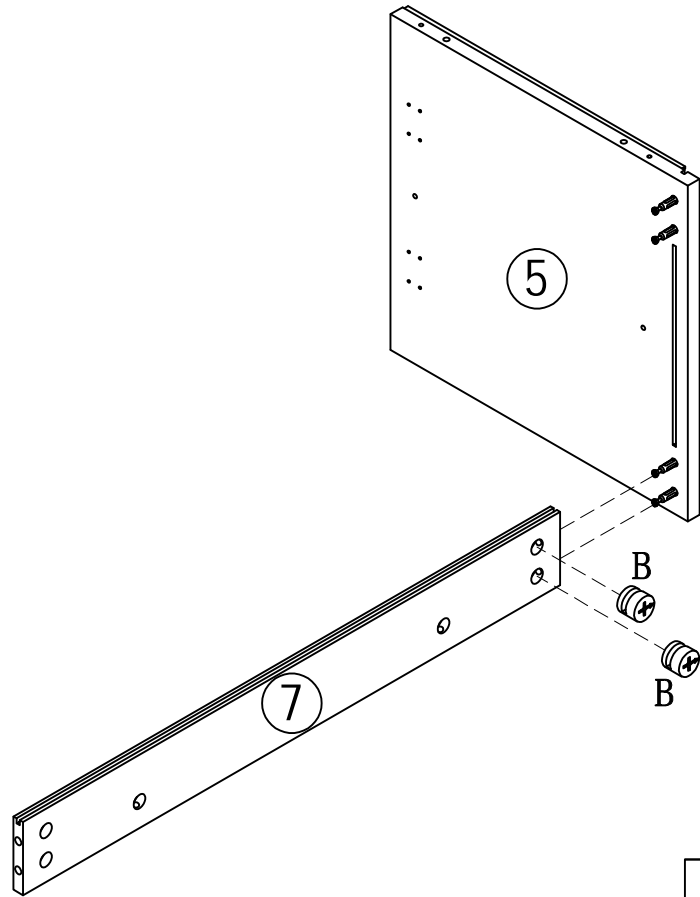


Step 2



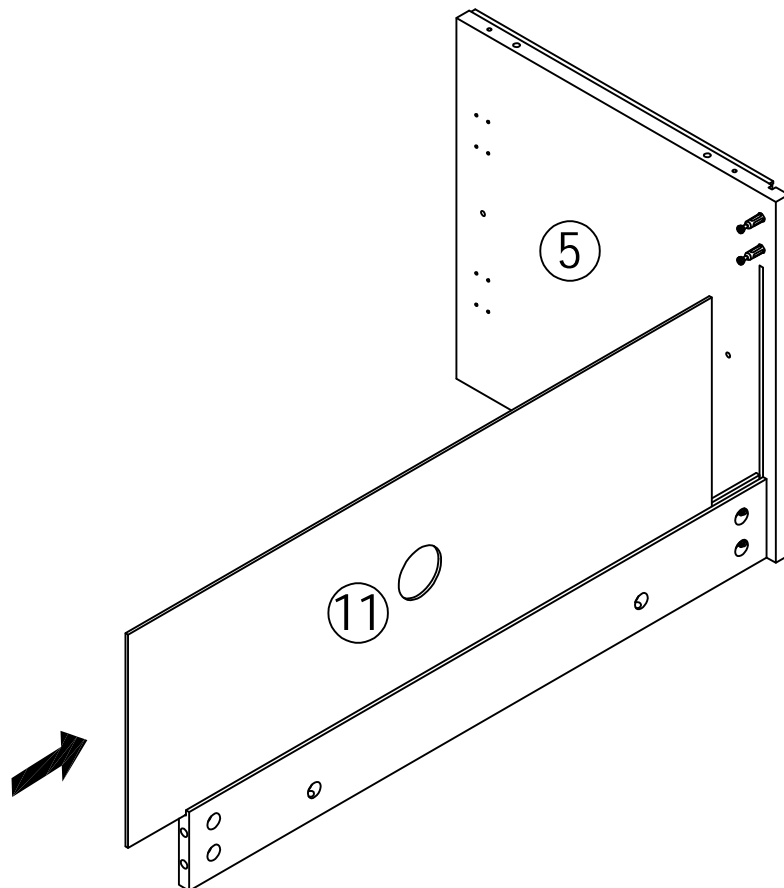
Assembly Steps(EN)

Step 3



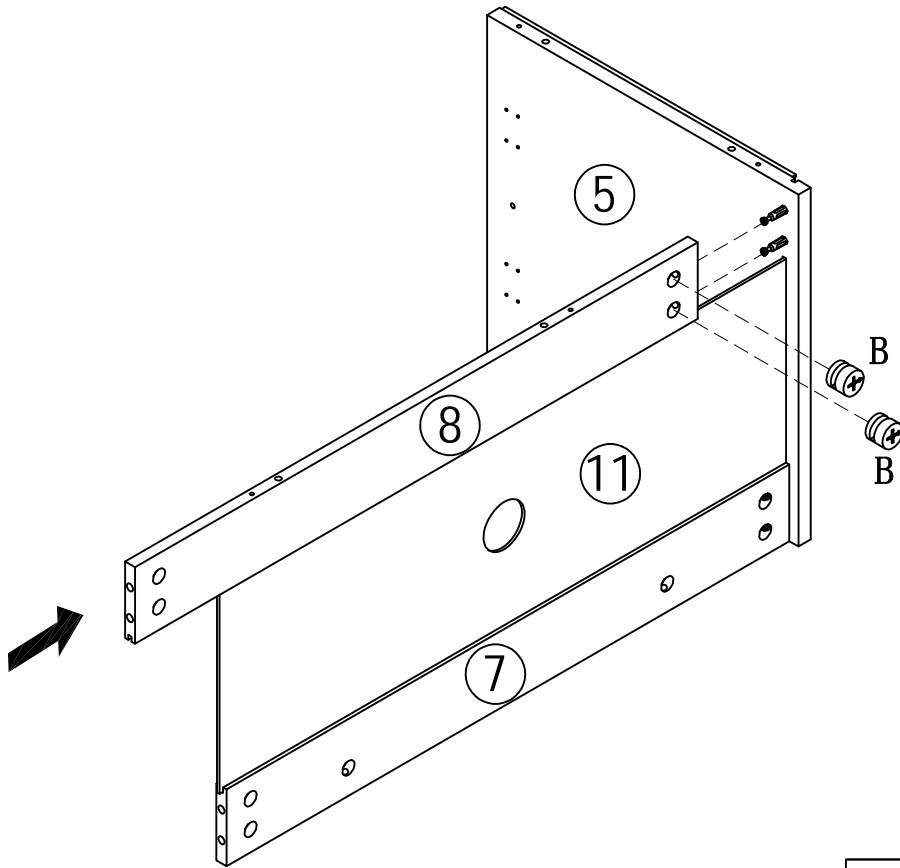
Bx2pcs

Step 4



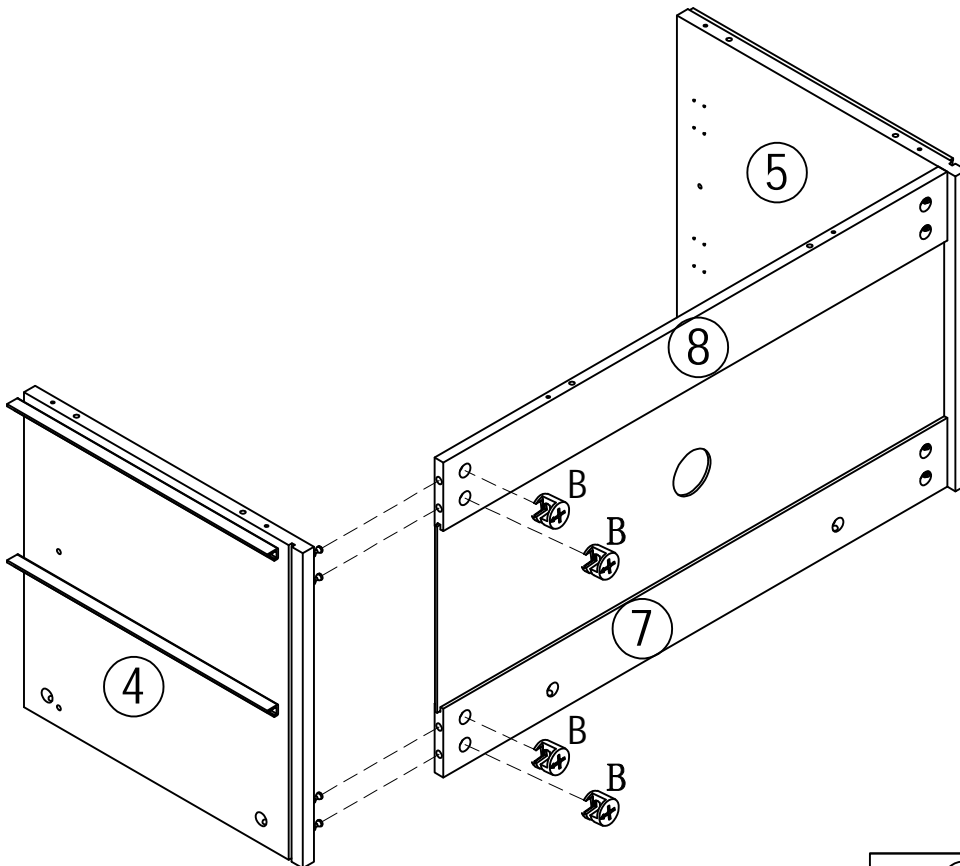
Assembly Steps(EN)


Step 5



	Bx2pcs
---	--------

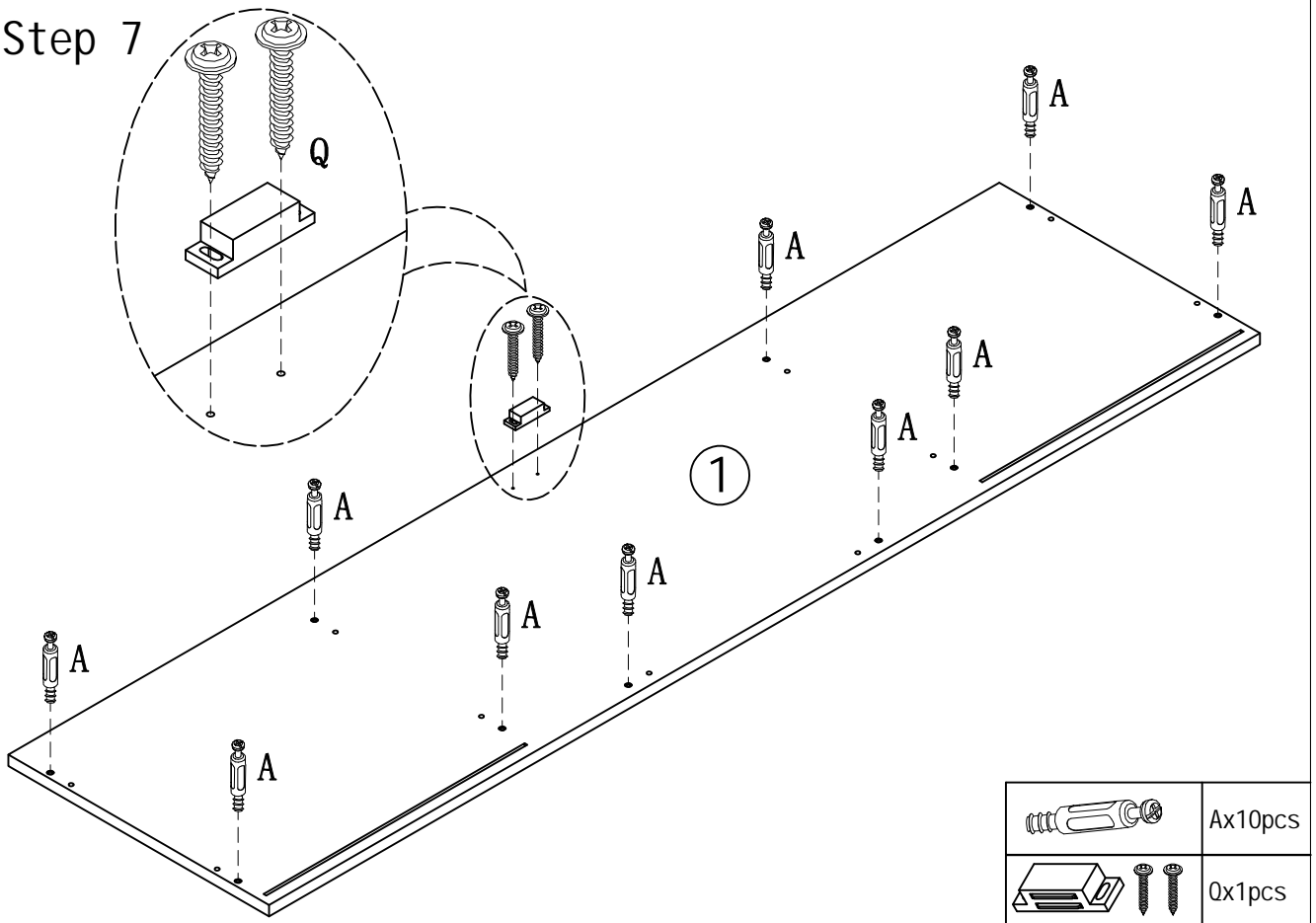
Step 6



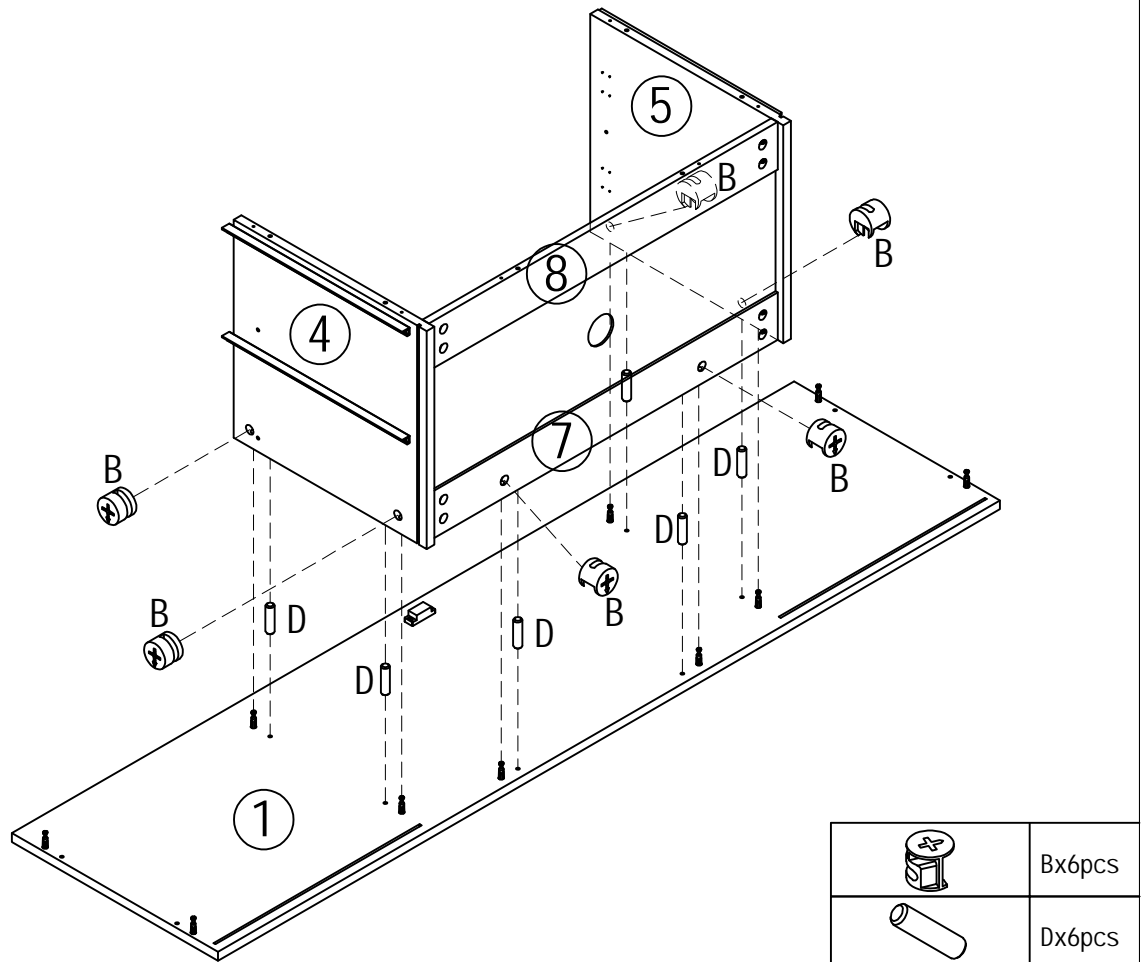
	Bx4pcs
---	--------

Assembly Steps(EN)

Step 7

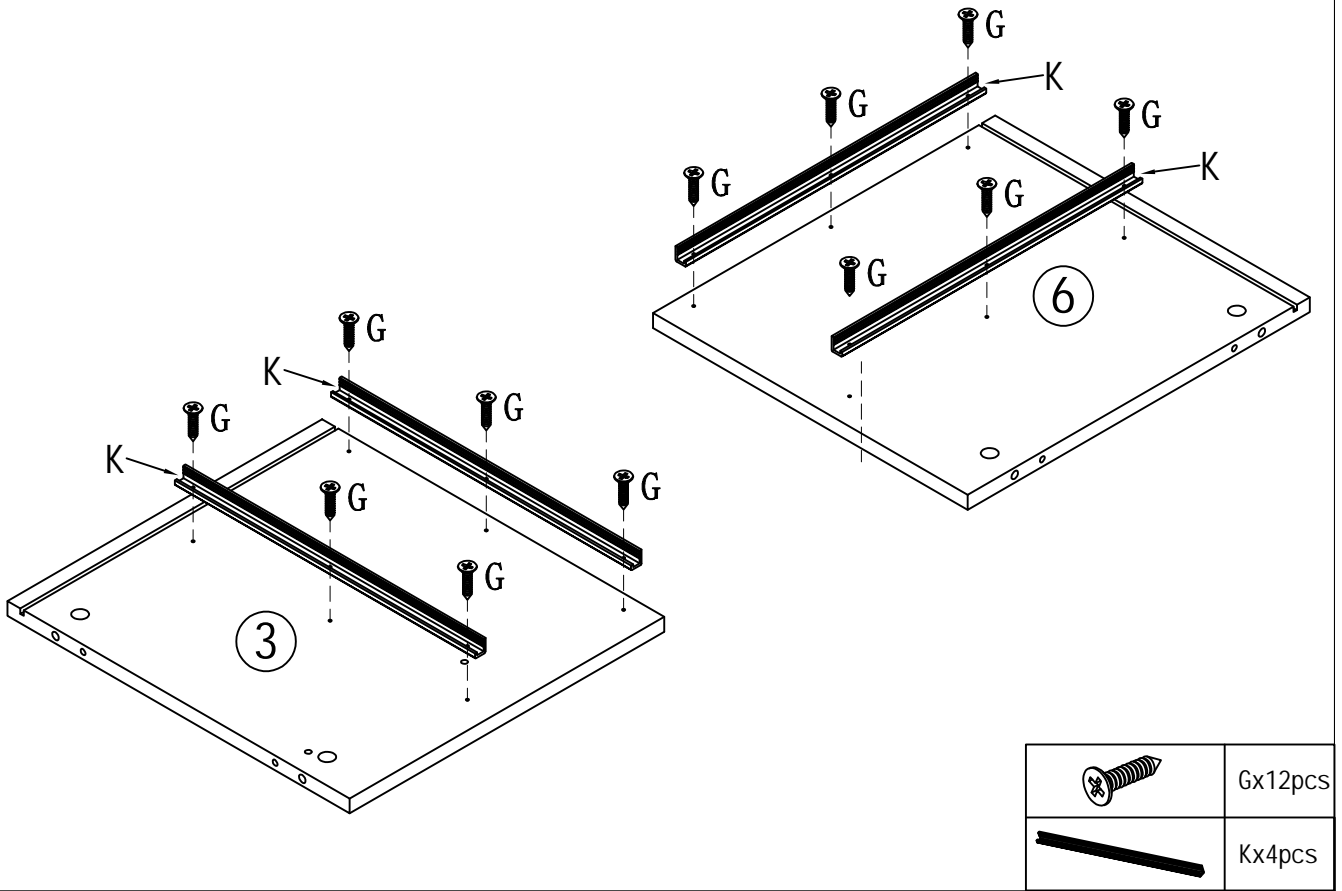


Step 8

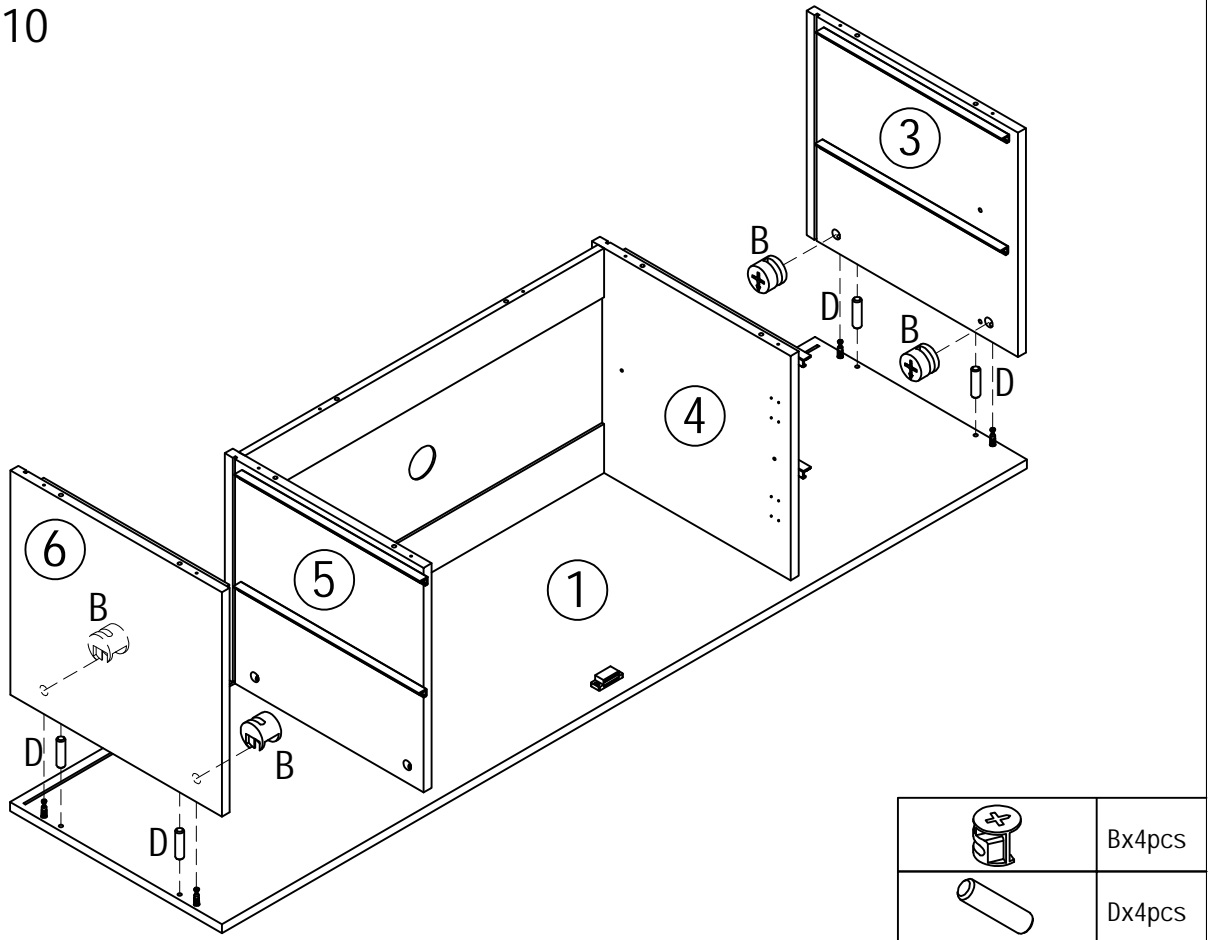


Assembly Steps(EN)

Step 9

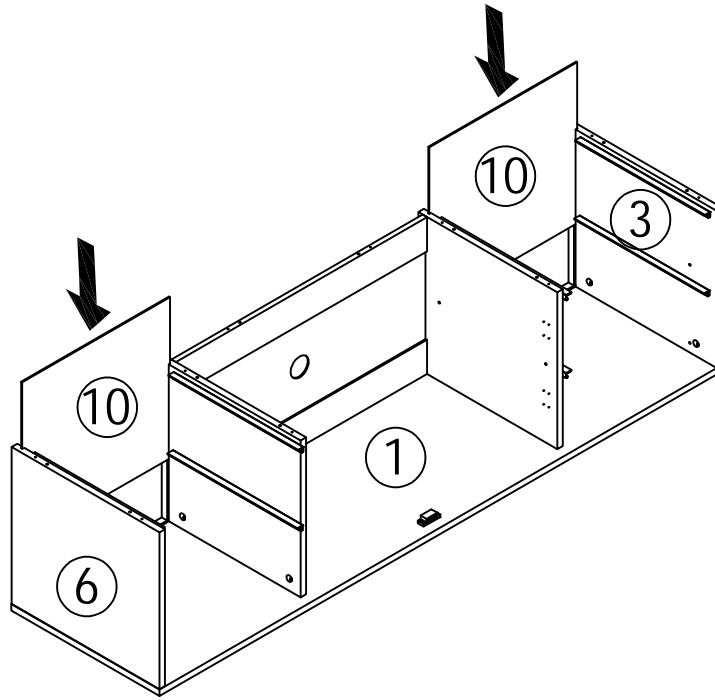


Step 10

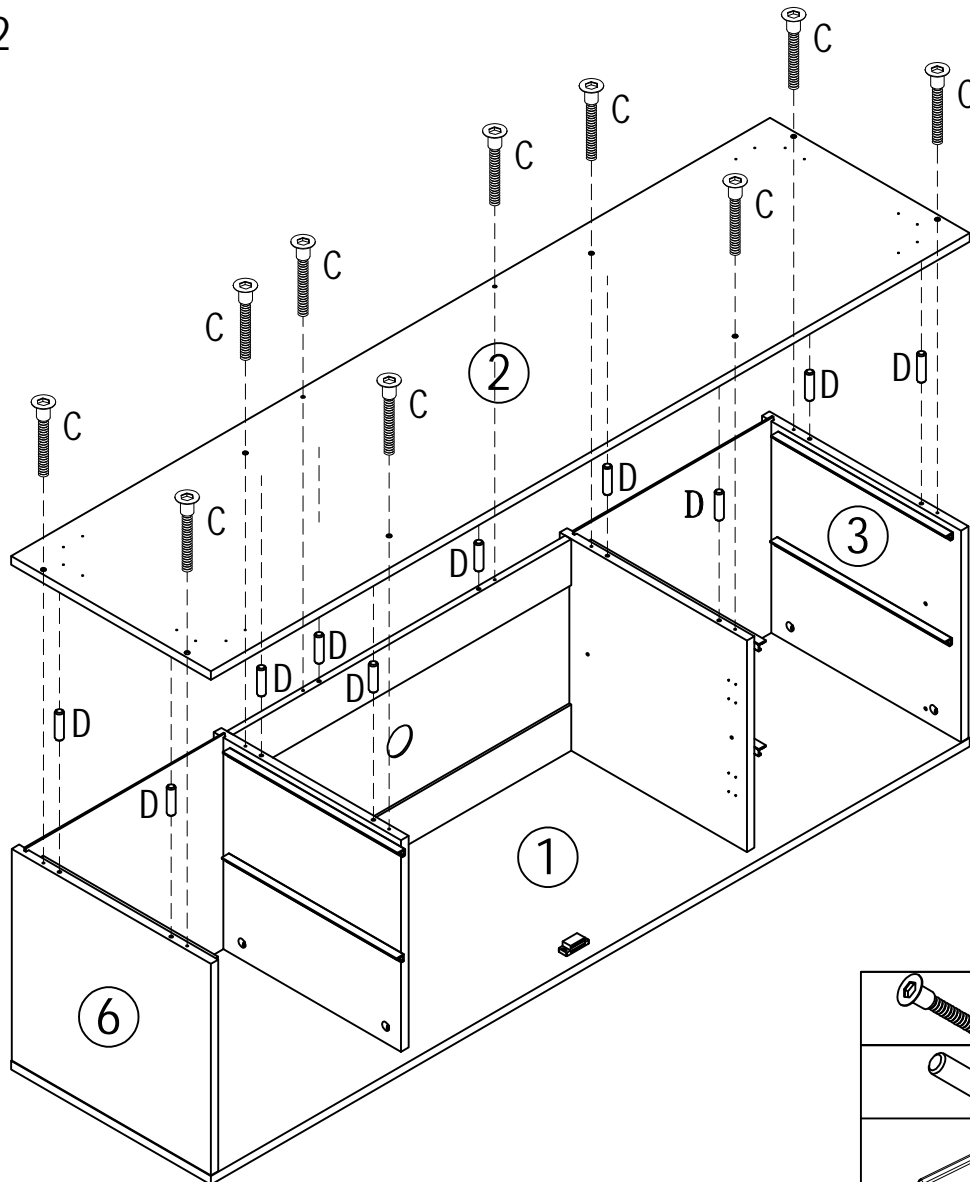


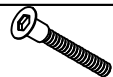
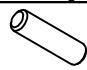
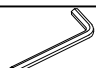
Assembly Steps(EN)

Step 11



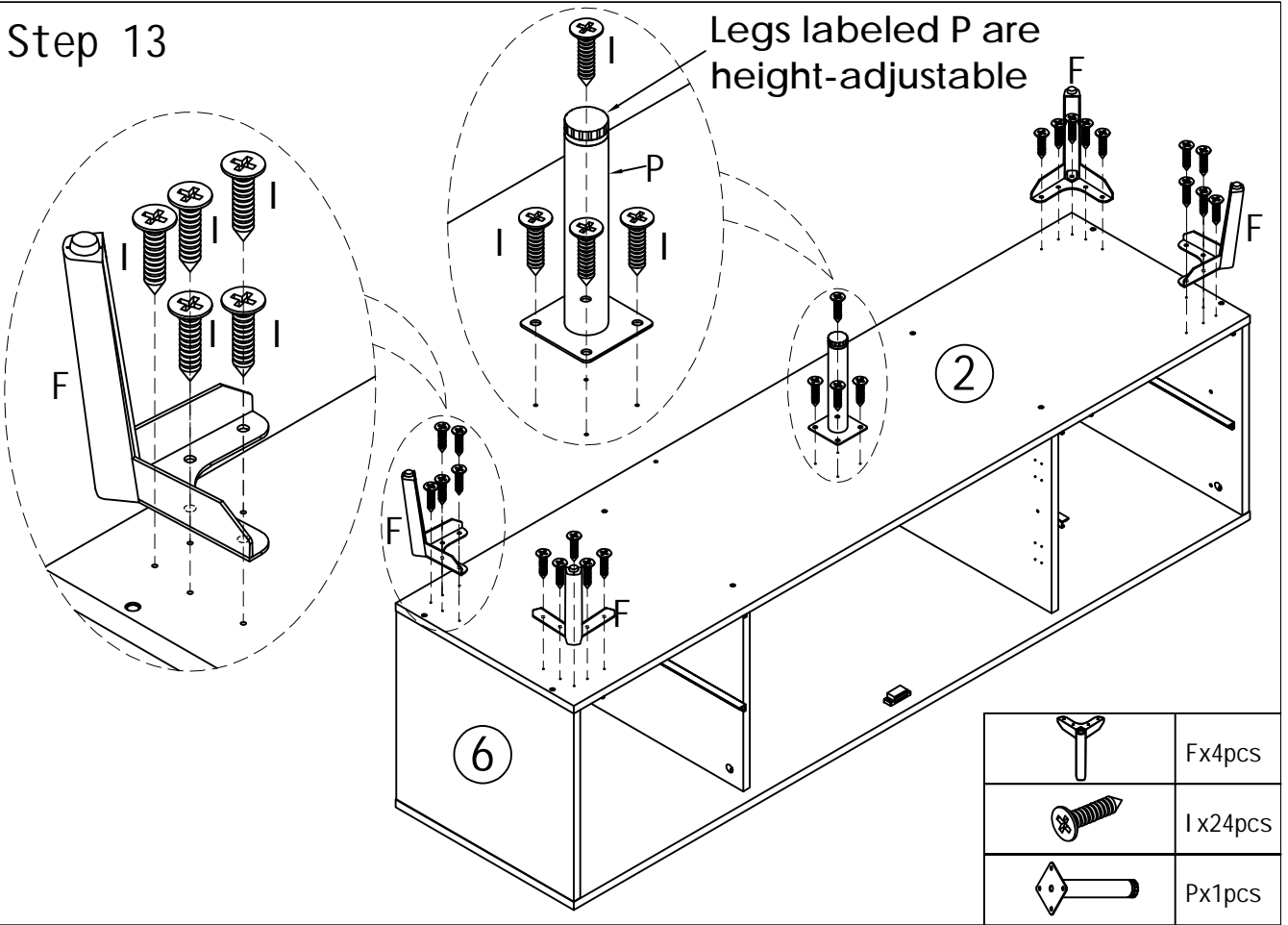
Step 12



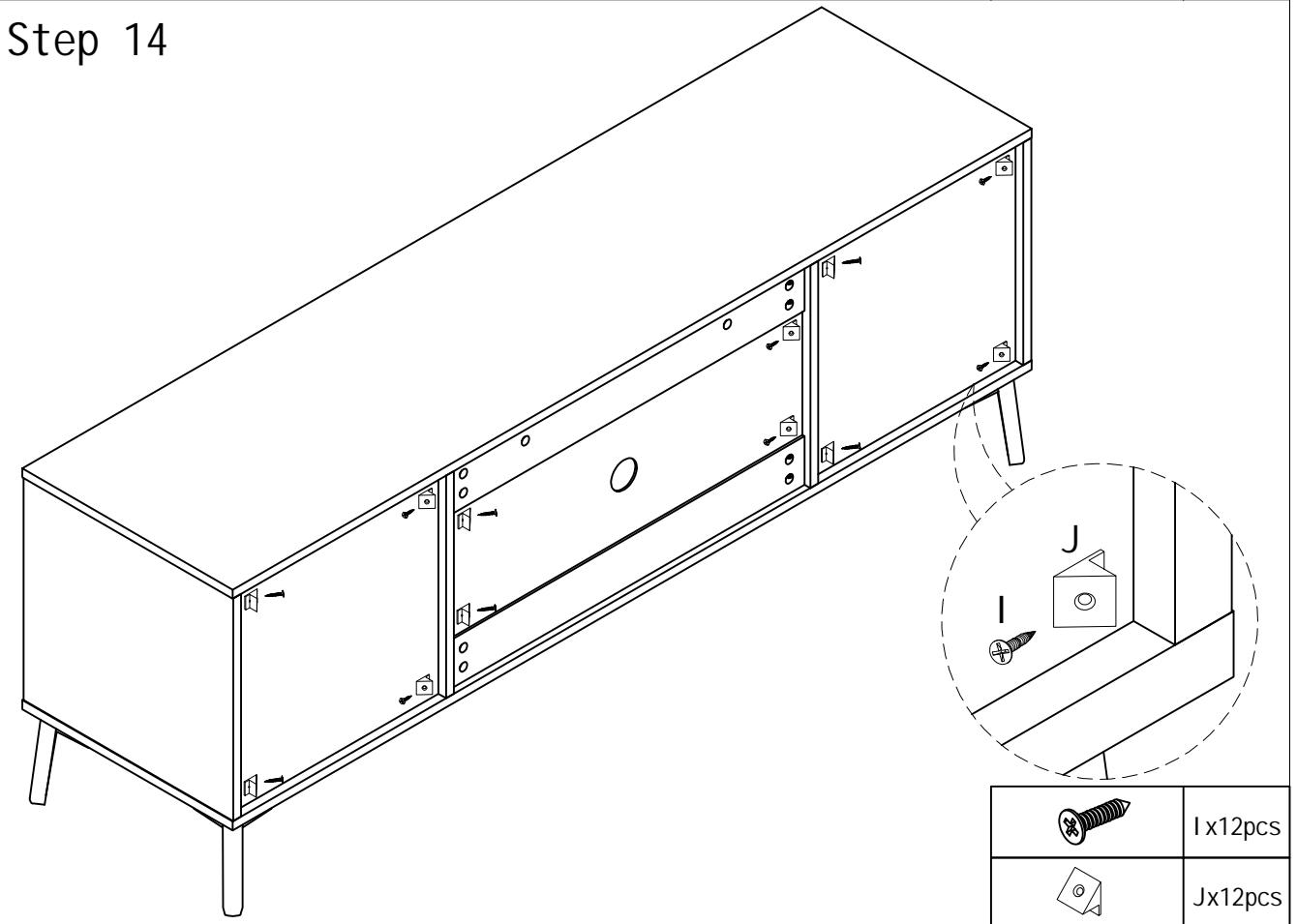
	Cx10pcs
	Dx10pcs
	Ex1pcs

Assembly Steps(EN)

Step 13



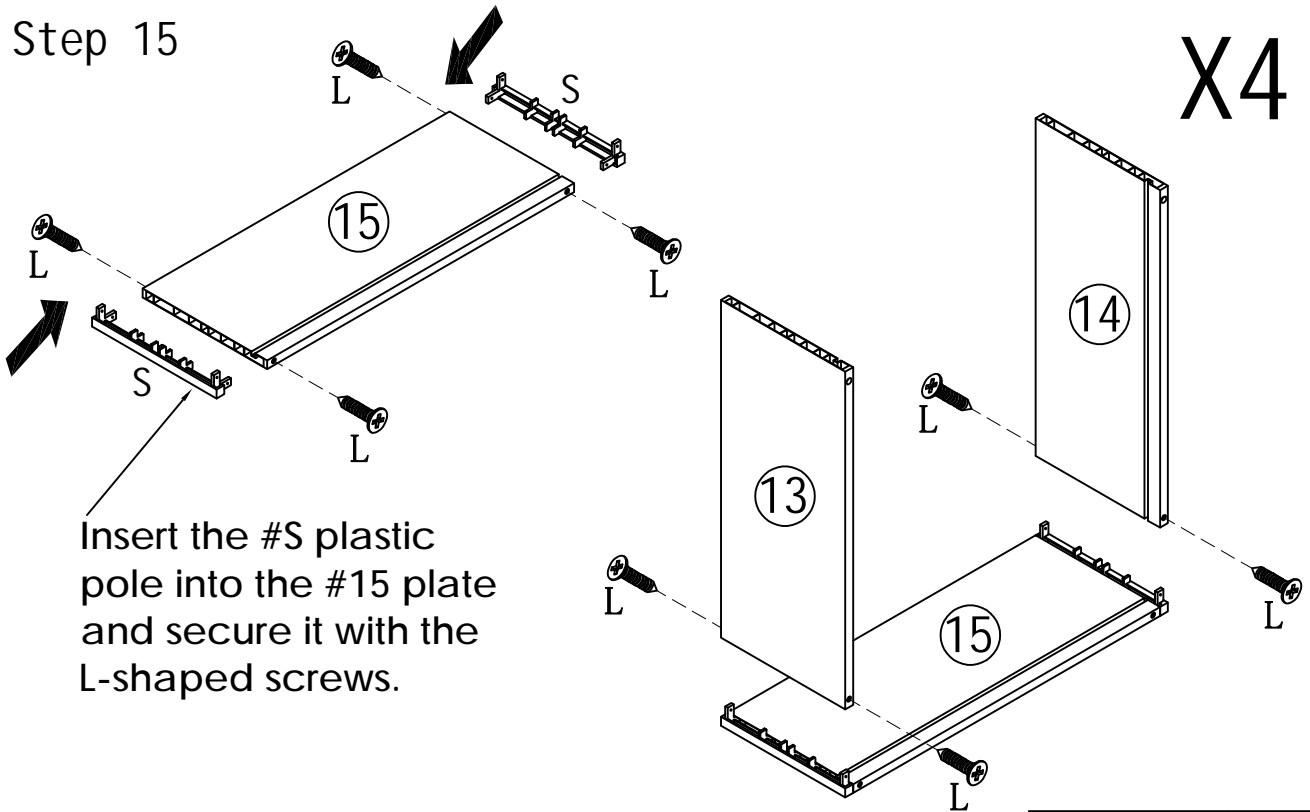
Step 14



Assembly Steps(EN)

Step 15

X4

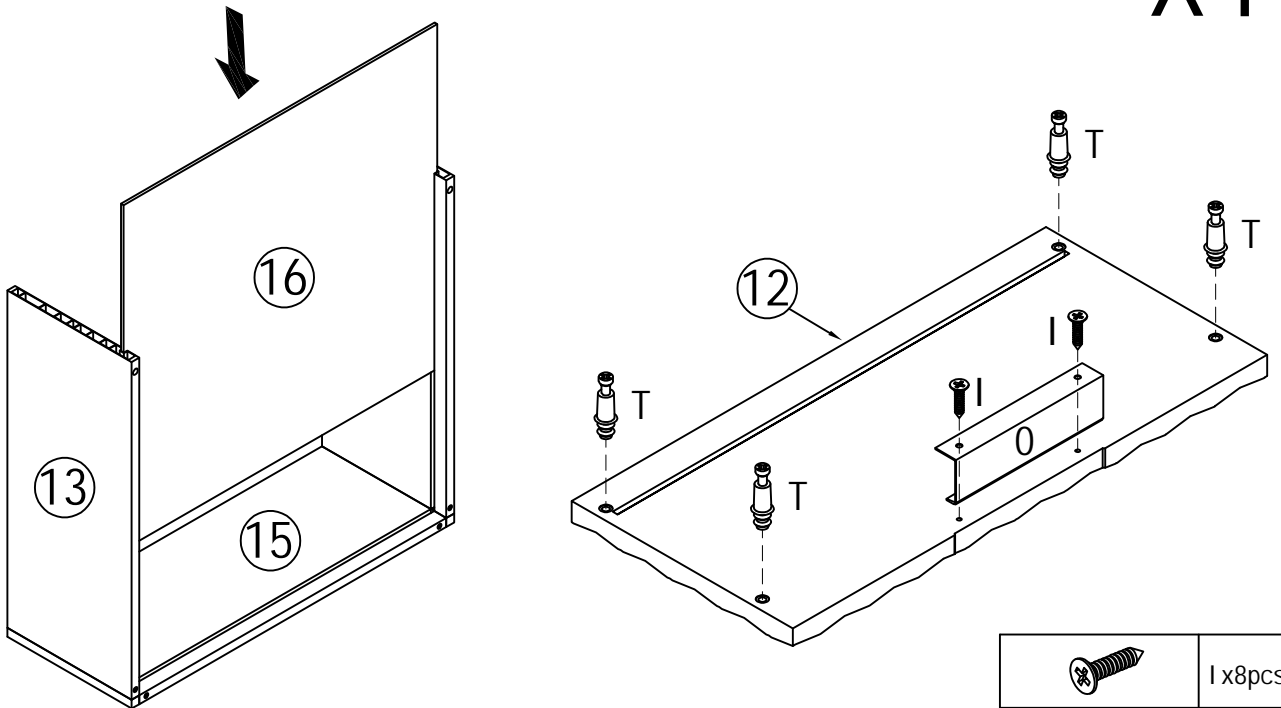


Insert the #S plastic pole into the #15 plate and secure it with the L-shaped screws.

	Sx8pcs
	Lx32pcs

Step 16

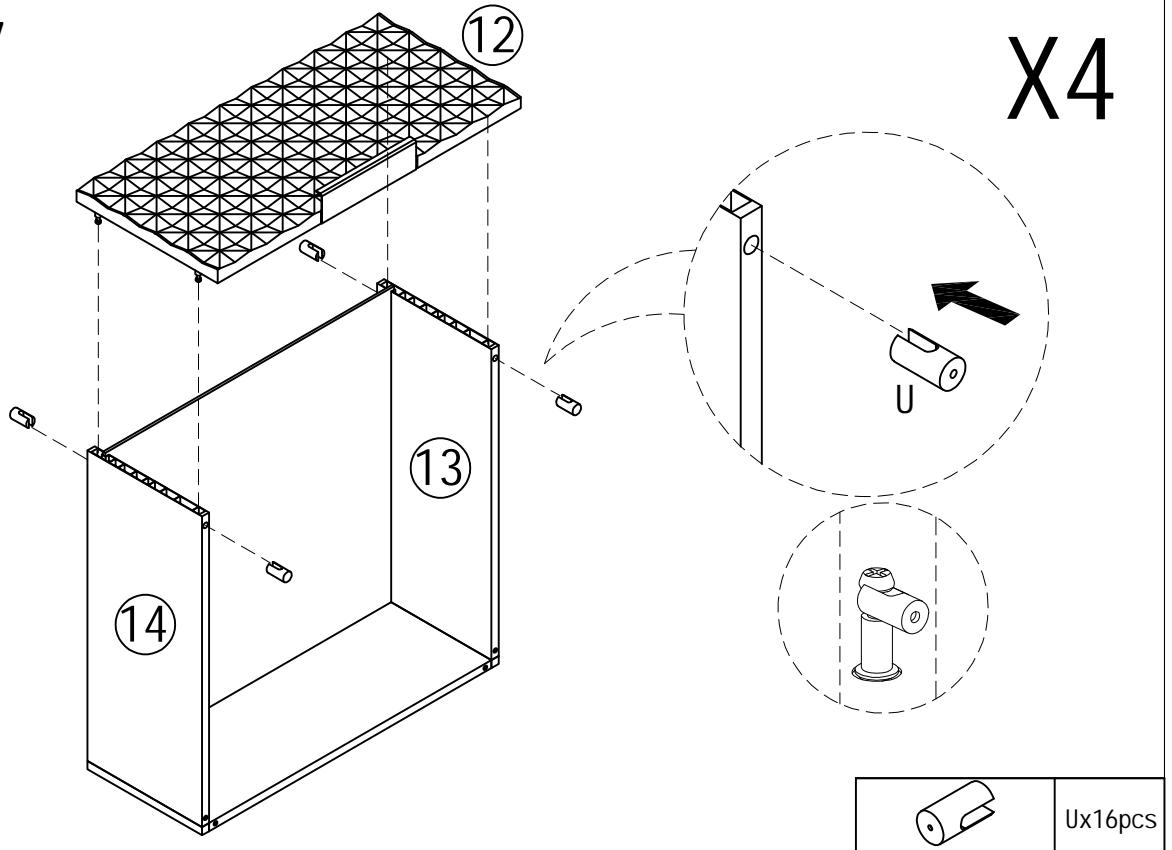
X4



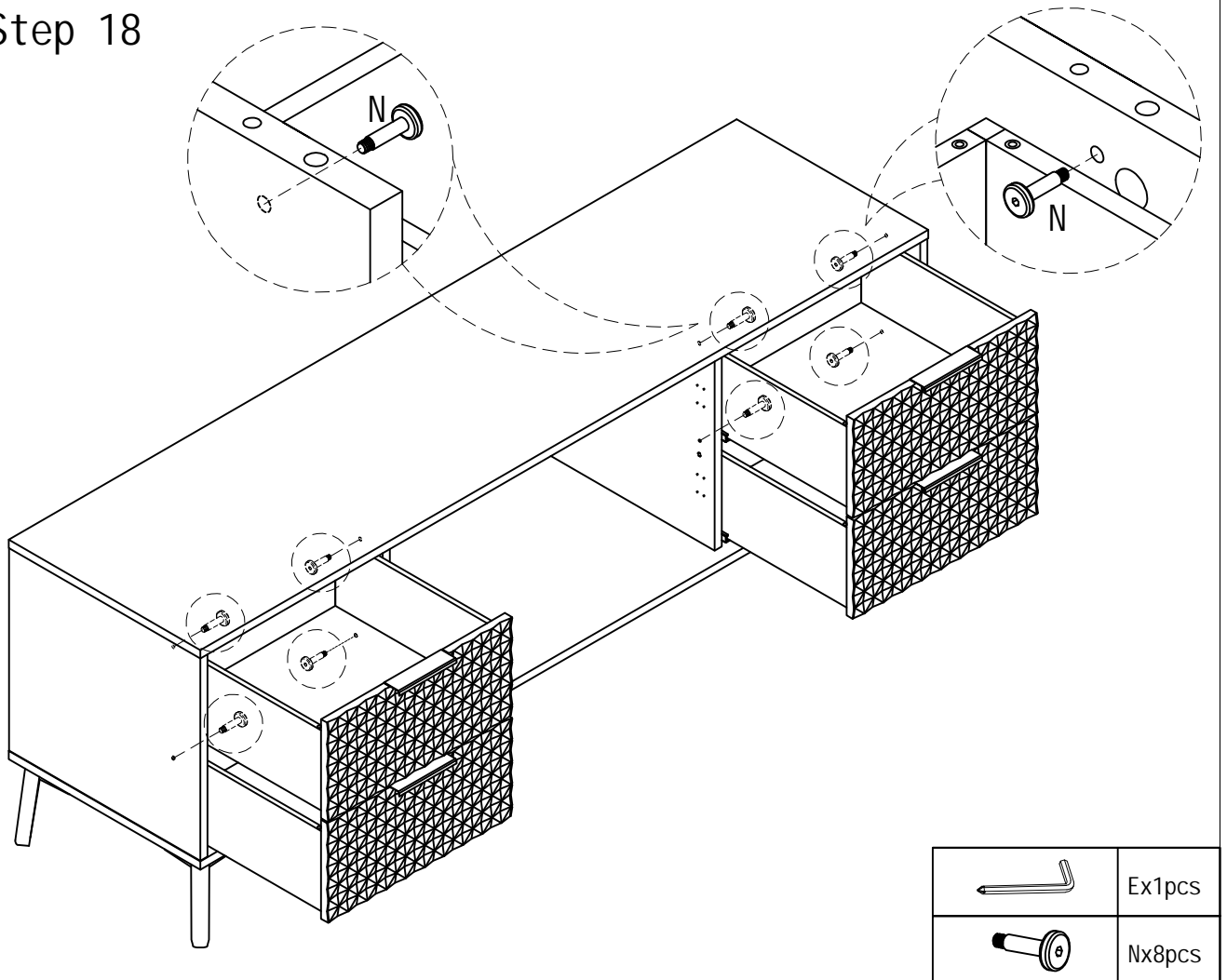
	I x8pcs
	Ox4pcs
	Tx16pcs

Assembly Steps(EN)

Step 17

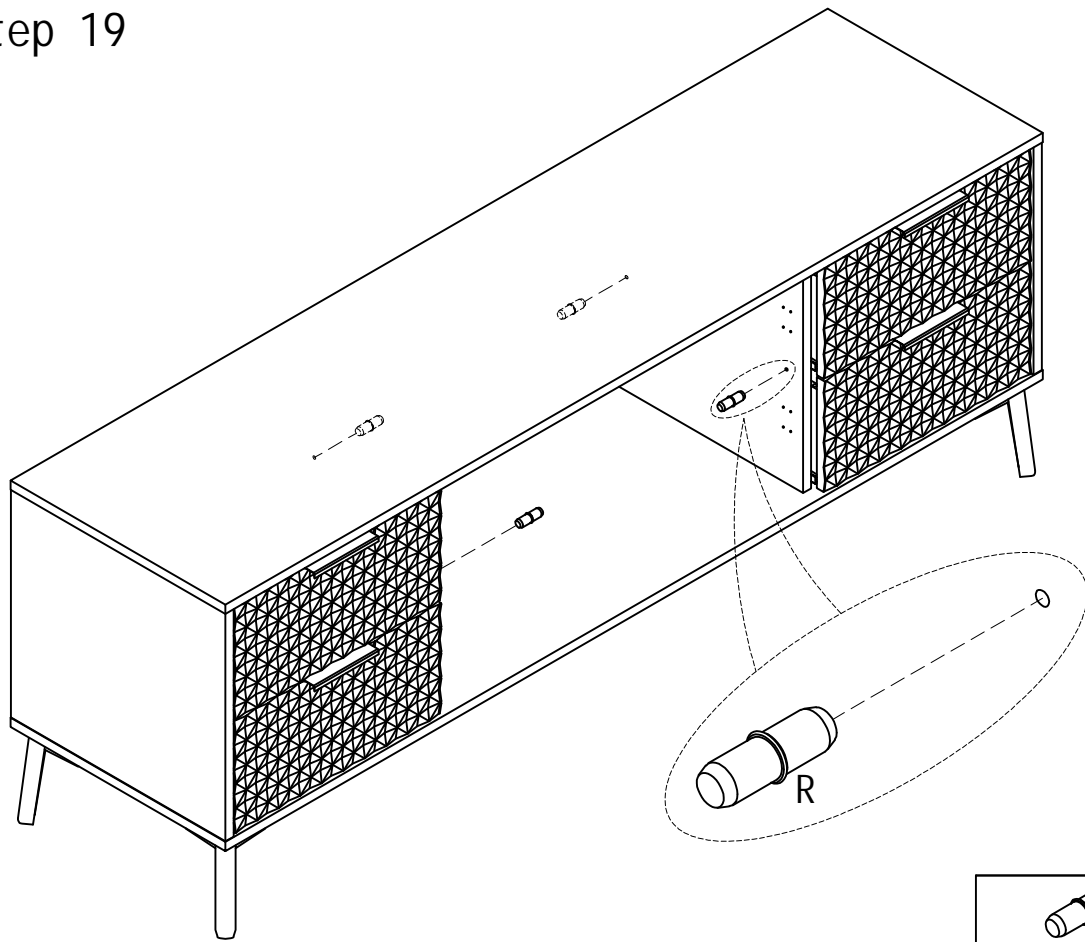


Step 18



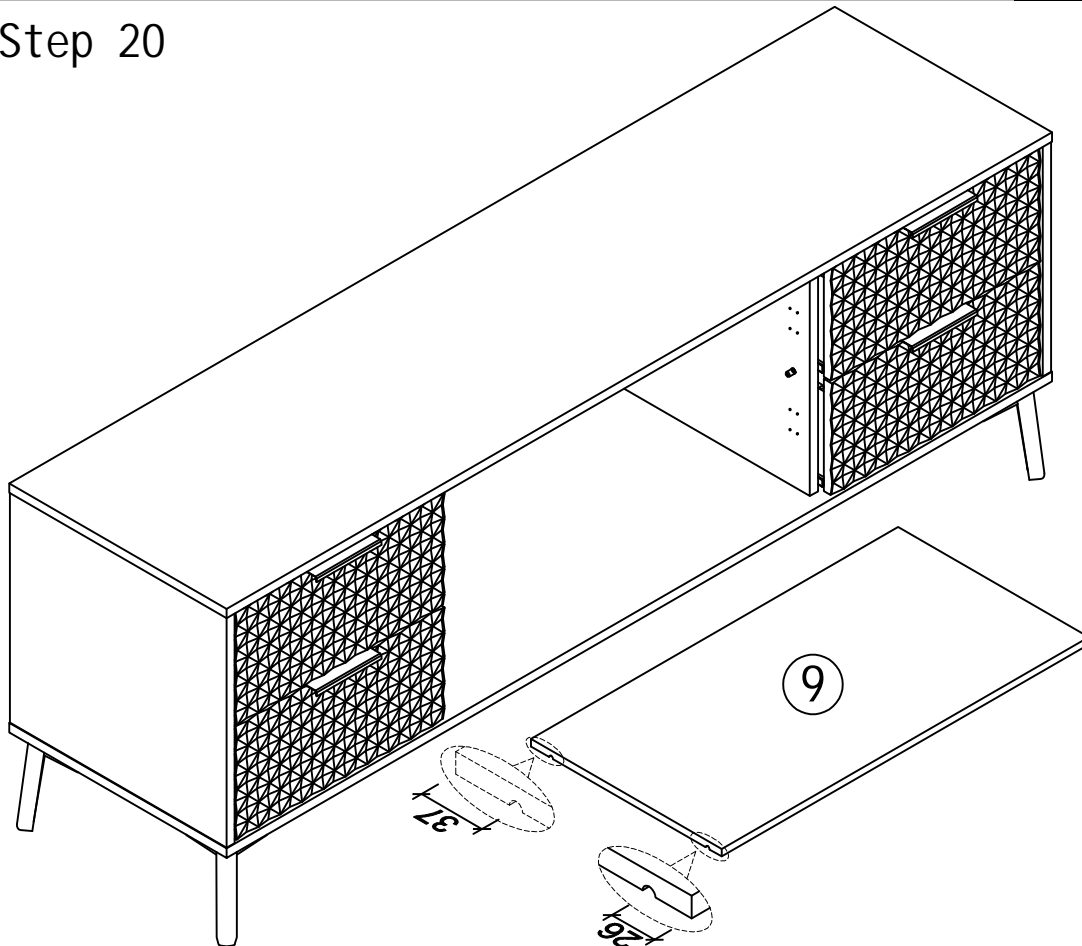
Assembly Steps(EN)

Step 19



	Rx4pcs
---	--------

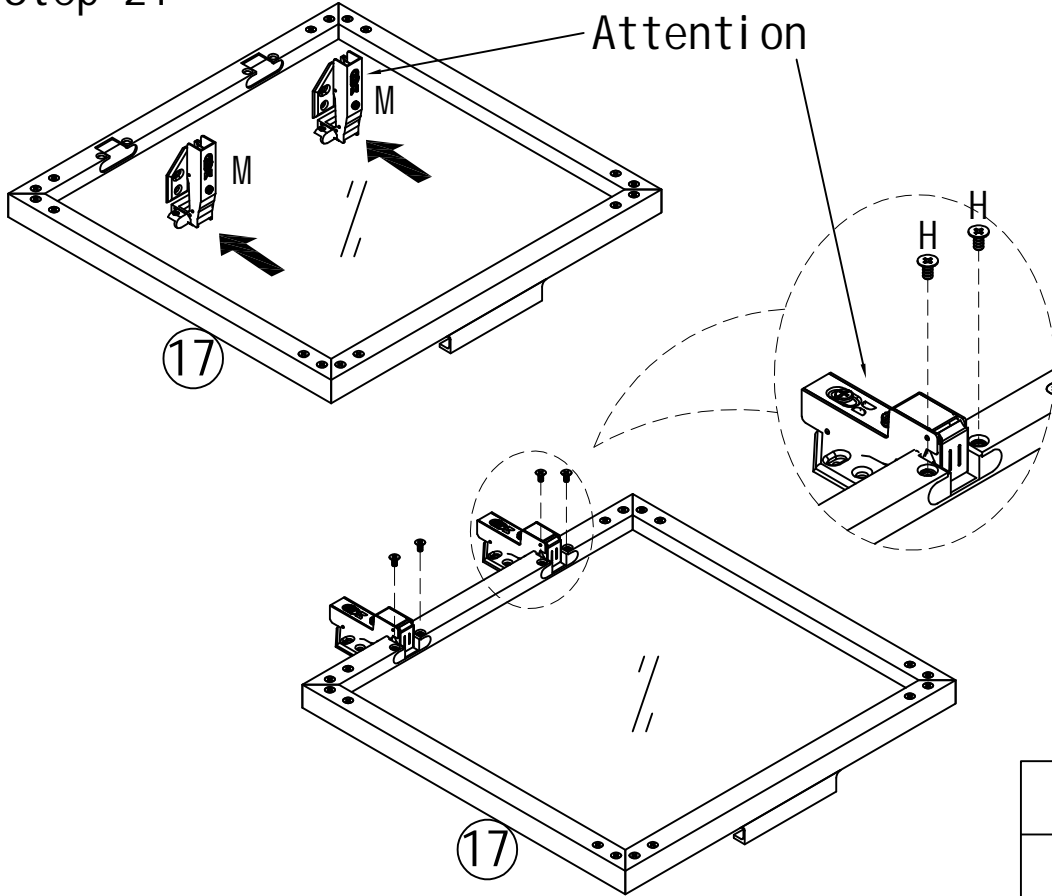
Step 20





Assembly Steps(EN)

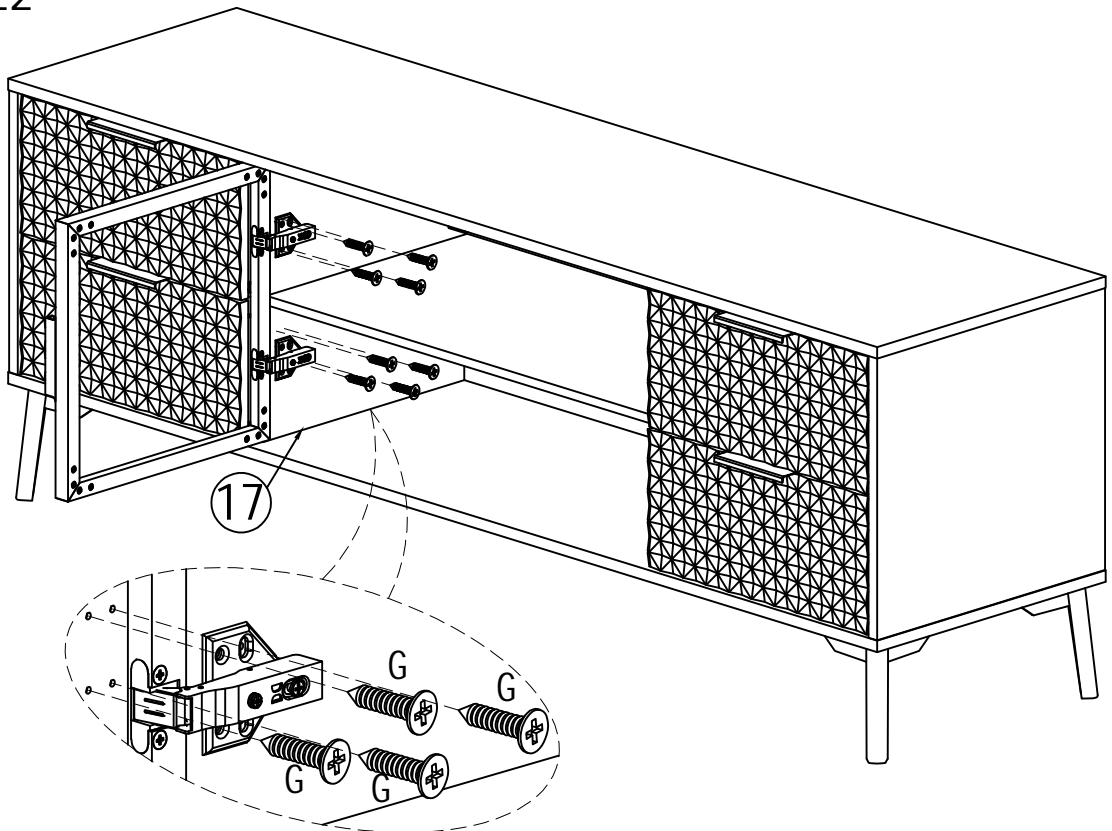
Step 21


X2



	Hx8pcs
	Mx4pcs

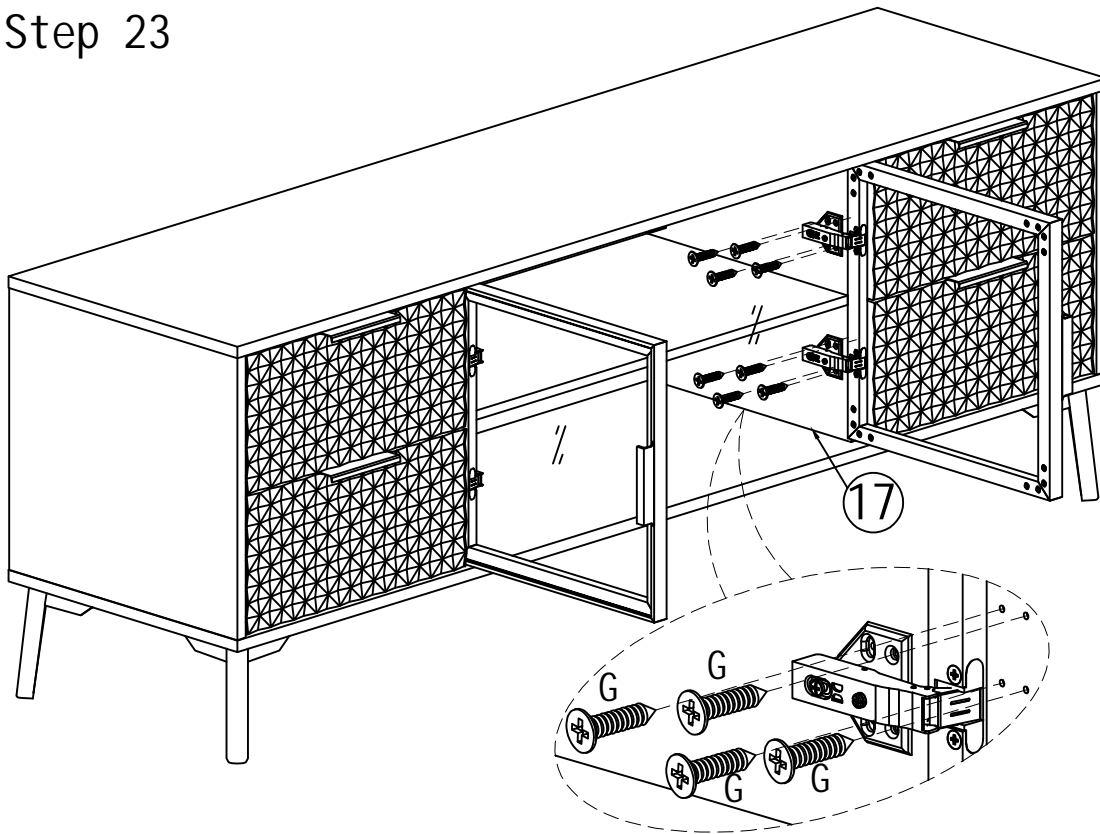
Step 22



	Gx8pcs
---	--------

Assembly Steps(EN)

Step 23



Step 24

