



**User Manual**  
**Prohibition 84" Cocktail Bar**










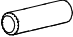

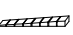


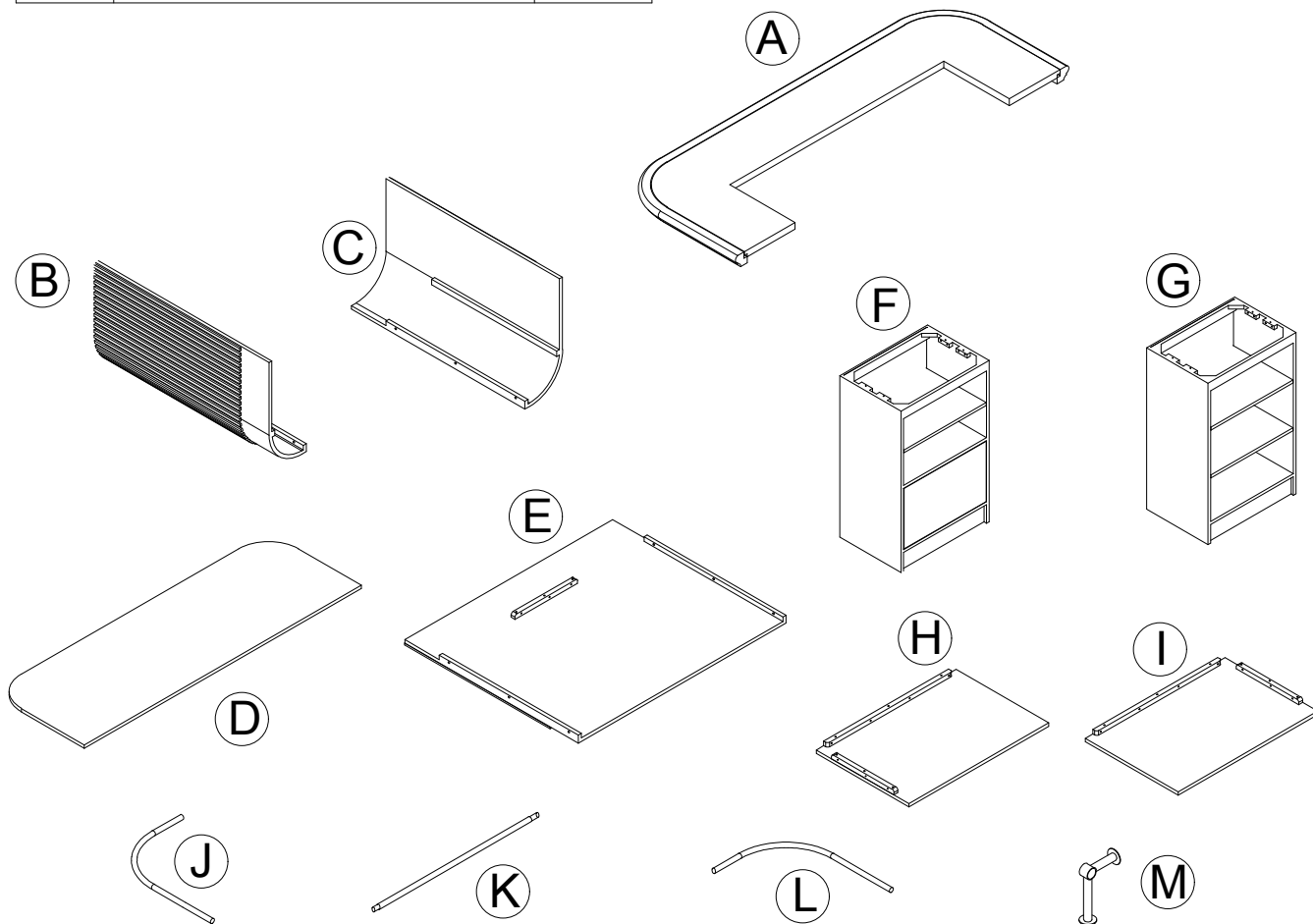
[RAMGAMEROOM.COM](http://RAMGAMEROOM.COM)

## MODEL:PROBAR84

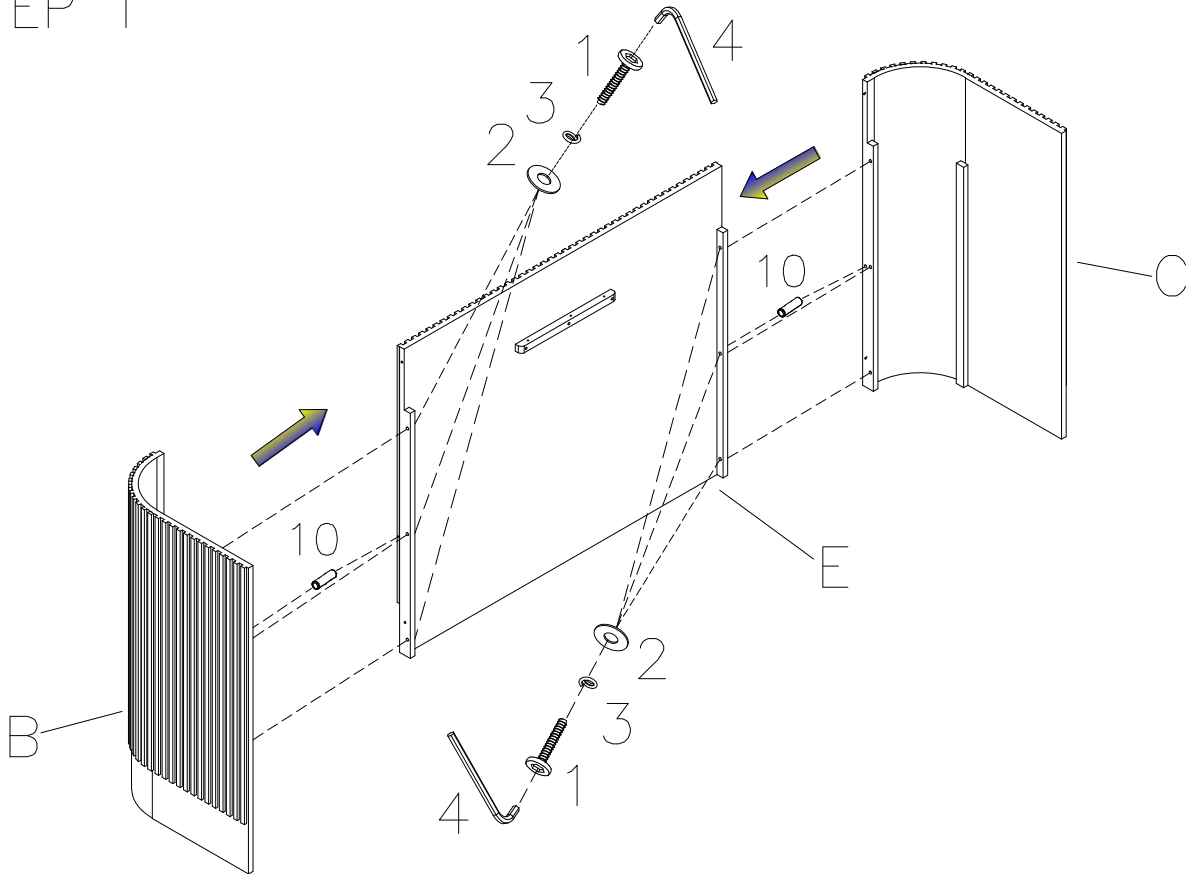
Read this instruction carefully. Refer hardware and furniture parts list for guidance. Be sure all parts are complete before assembling. Place all wooden furniture parts on a clean and flat soft surface to prevent scratches. Refer steps provided as assembling guide.

PART LIST		
ITEM	DESCRIPTION	QTY
A	Top Panel	1PC
B	Left Side Panel	1PC
C	Right Side Panel	1PC
D	Cabinet Top	1PC
E	Front Panel	1PC
F	Left Cabinet	1PC
G	Right Cabinet	1PC
H	End Panel for Cabinet F	1PC
I	End Panel for Cabinet G	1PC
J	Corner Rail (Optional Foot rail)	1PC
K	Straight Rail (Optional Foot rail)	1PC </td
L	Corner Rail (Optional Foot rail)	1PC
M	Foot Rail Support (Optional Foot rail)	7PCS

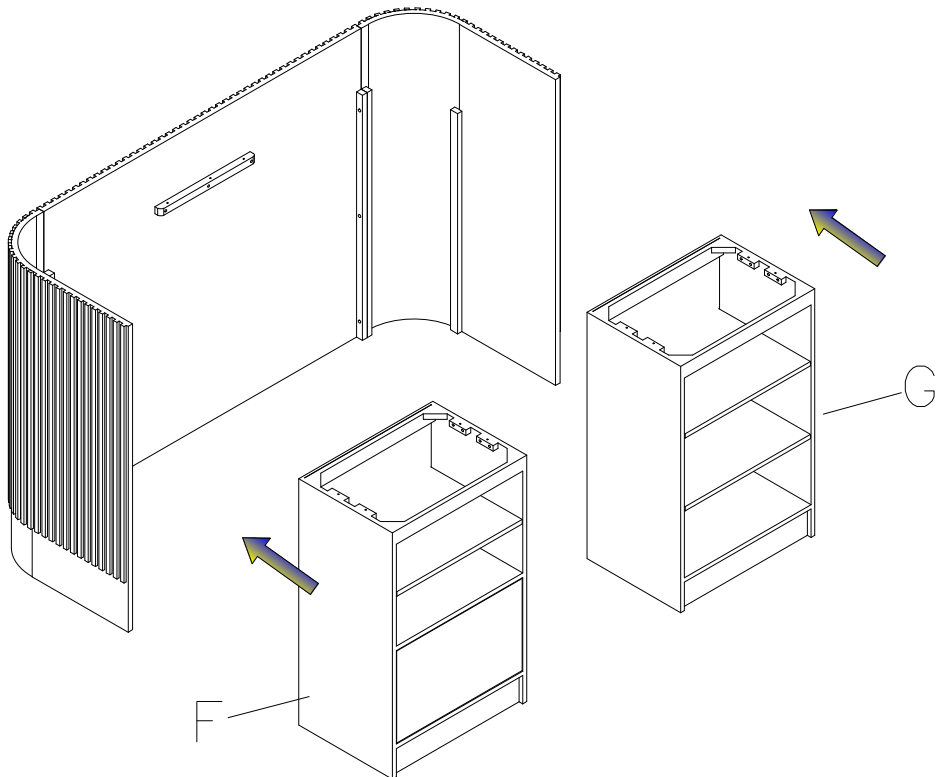
HARDWARE LIST		
ITEM	DESCRIPTION	QTY
1	Bolt $\varnothing 1/4'' \times 1-3/4''$ 	6PCS
2	Washer $\varnothing 1/4''$ 	6PCS
3	Lock Washer $\varnothing 1/4''$ 	6PCS
4	Allen Wrench 4mm 	1PC
5	Allen Wrench 3mm 	1PC
6	Bolt M5*15mm 	7PCS
7	Bolt M4*12mm 	2PCS
8	Screw 3.5*16mm 	21PCS
9	Screw $\varnothing 8 \times 1''$ 	61PCS
10	Wood Dowels $\varnothing 8 \times 30\text{mm}$ 	6PCS
11	Glue 	1PC
12	Leveler 98*20mm 	2PCS



STEP 1



STEP 2

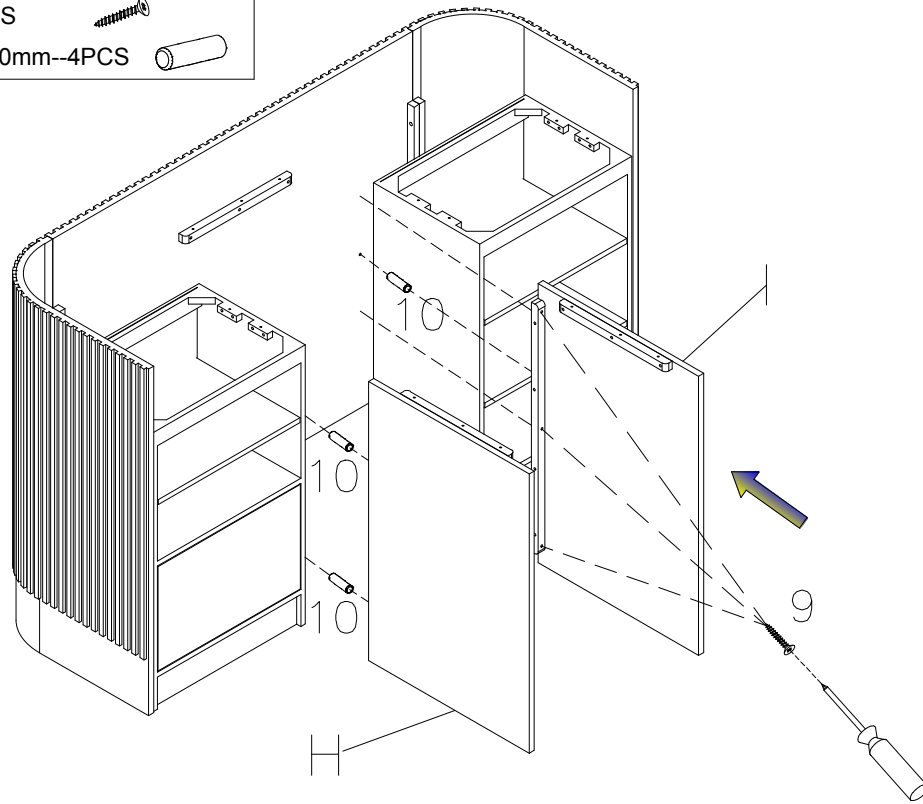


# STEP 3

9 Screw Ø8\*1" --6PCS

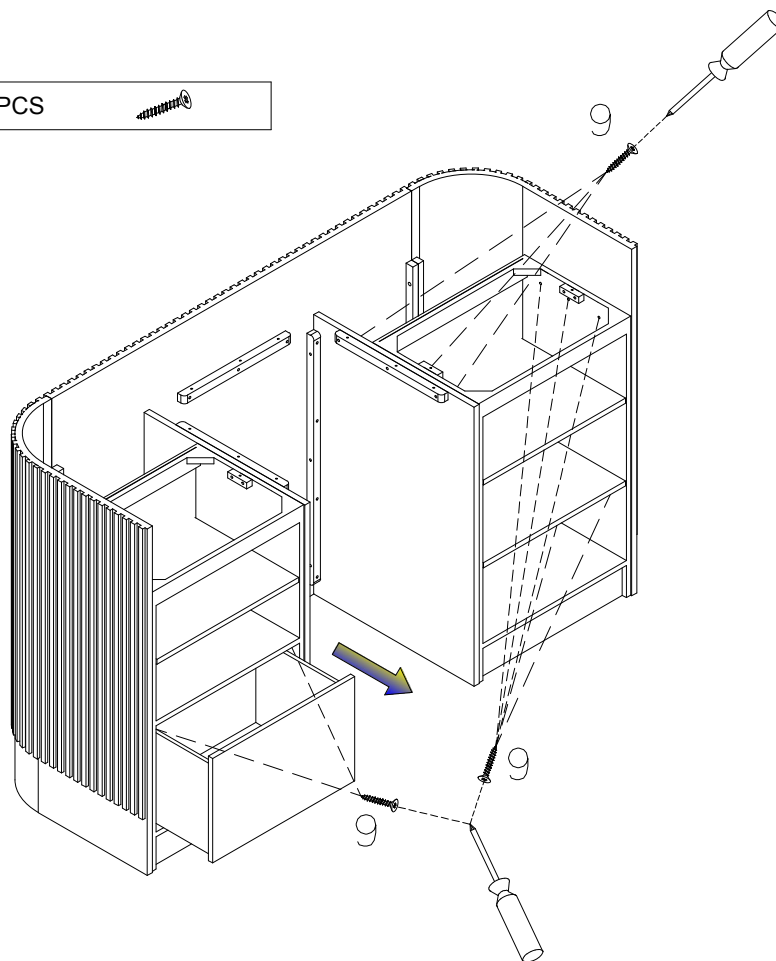


10 Wood Dowels Ø8\*30mm--4PCS



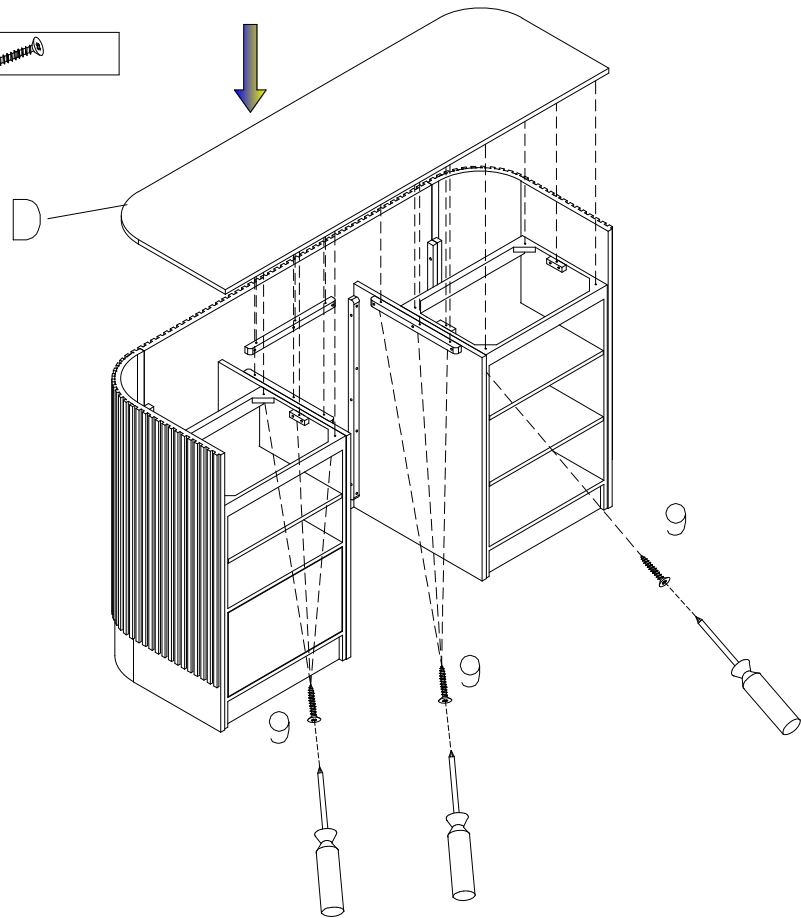
# STEP 4

9 Screw Ø8\*1" --18PCS



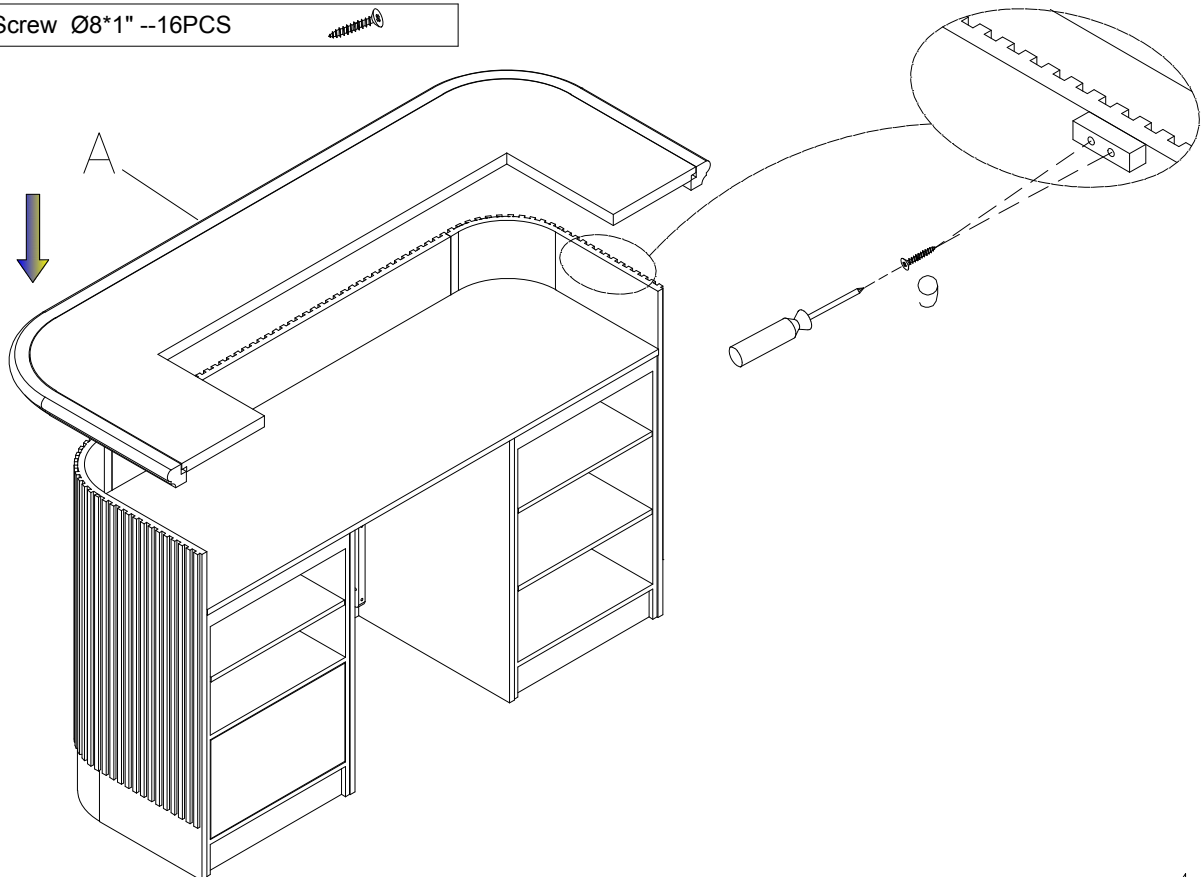
# STEP 5

9 Screw Ø8\*1" --21PCS

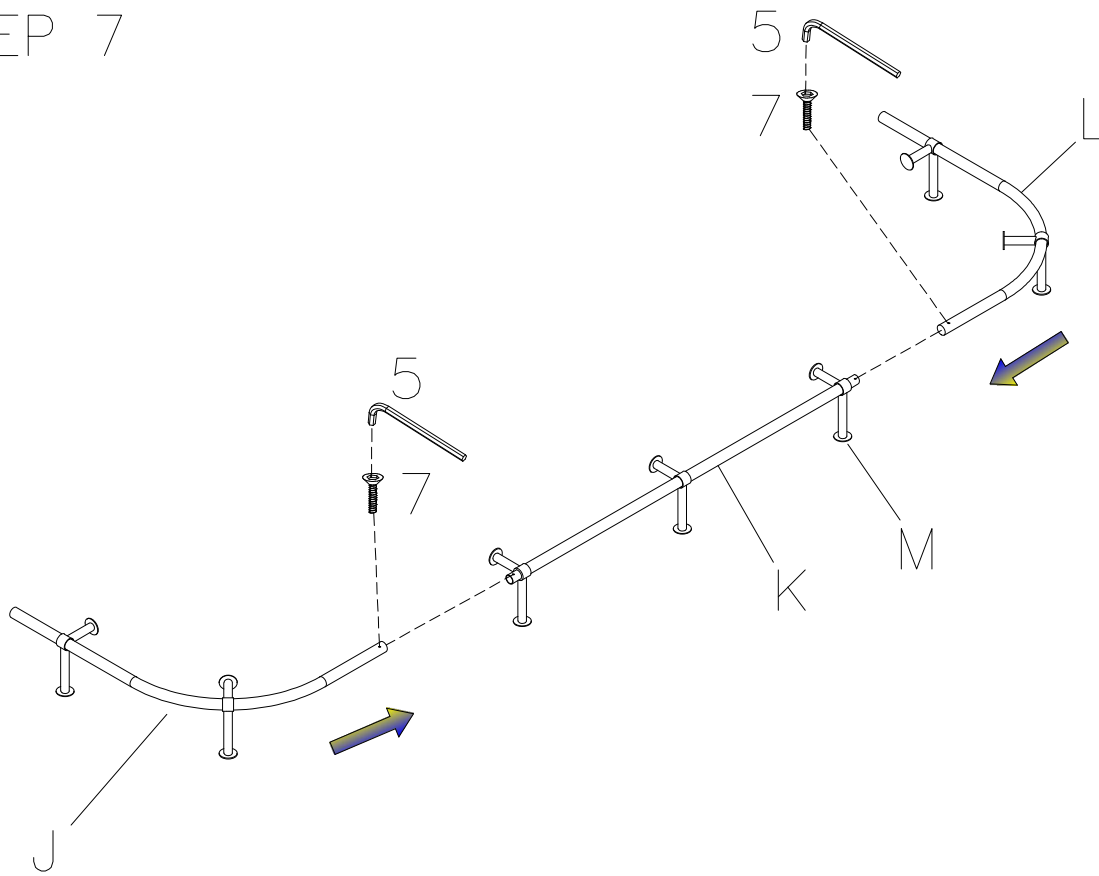


# STEP 6

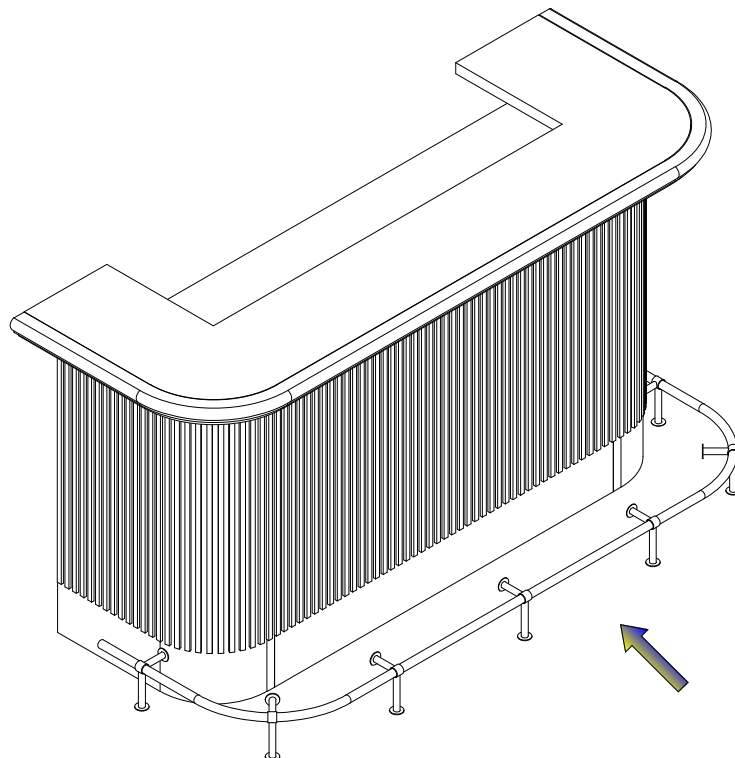
9 Screw Ø8\*1" --16PCS



# STEP 7



# STEP 8

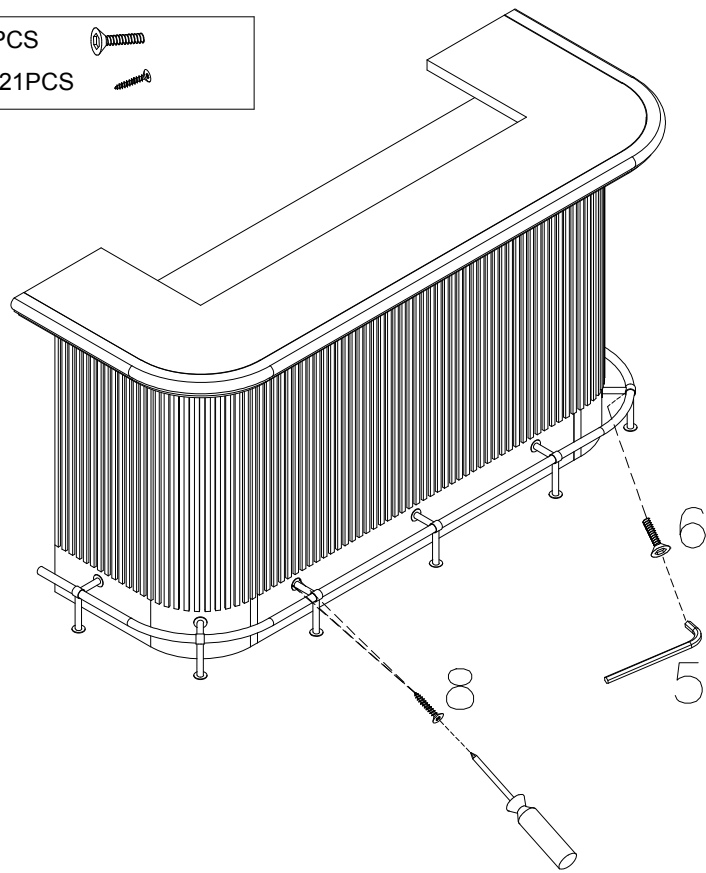


# STEP 9

6 Bolt M5\*15mm--7PCS



8 Screw 3.5\*16mm--21PCS



# STEP 10

