

ASSEMBLY INSTRUCTIONS



Bookcase

ASSEMBLY INSTRUCTIONS

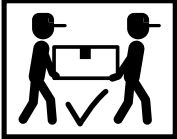
ASSEMBLY TIPS:

1. Remove hardware from box and sort by size.
2. Please check to see that all hardware and parts are present prior to start of assembly.
3. Please follow attached instructions in the same sequence as numbered to assure fast & easy assembly.



WARNING !

1. Don't attempt to repair or modify parts that are broken or defective. Please contact the store immediately.
2. This product is for home use only and not intended for commercial establishment.





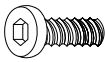
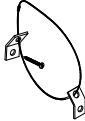




ASSEMBLY TIME 45 MINUTE

PARTS IDENTIFICATION

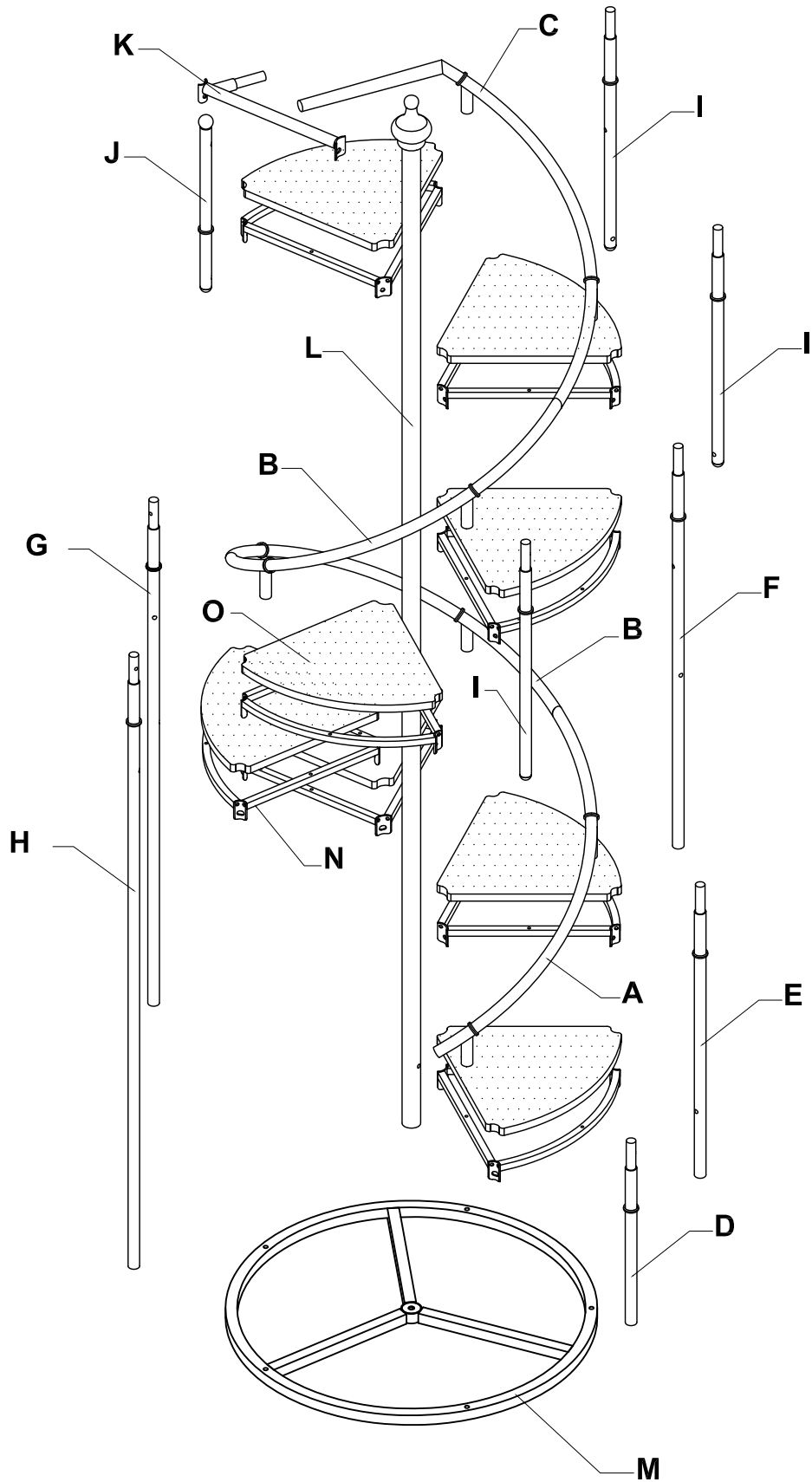
A Bottom Arc Post		1PC	I Upper Post		3PCS
B Middle Arc Post		2PCS	J Top Post		1PC
C Top Arc Post		1PC	K Connecting Bar		1PC
D Bottom Post 1		1PC	L Center Post		1PC
E Bottom Post 2		1PC	M Base		1PC
F Bottom Post 3		1PC	N Frame		8PCS
G Bottom Post 4		1PC	O Shelf		8PCS
H Bottom Post 5		1PC			

HARDWARE IDENTIFICATION

1	BOLT (3/16"x1/2"-BLK)		38PCS	5	WASHER (ϕ 16mm-BLK)		1PC
2	BOLT (M4x19mm-BLK)		24PCS	6	ALLEN KEY (4x22x60mm-BLK)		1PC
3	BOLT (1/4"x3/4"-BLK)		1PC	7	ANTI - TIP KIT		1PC
4	BOLT (1/4"x1-1/4"-BLK)		5PCS	8	CONTROL BUTTON (ϕ 13mm)		5PCS


NOTE:

Phillips head screw driver is required in the assembly process; however, manufacturer does not provide this item.



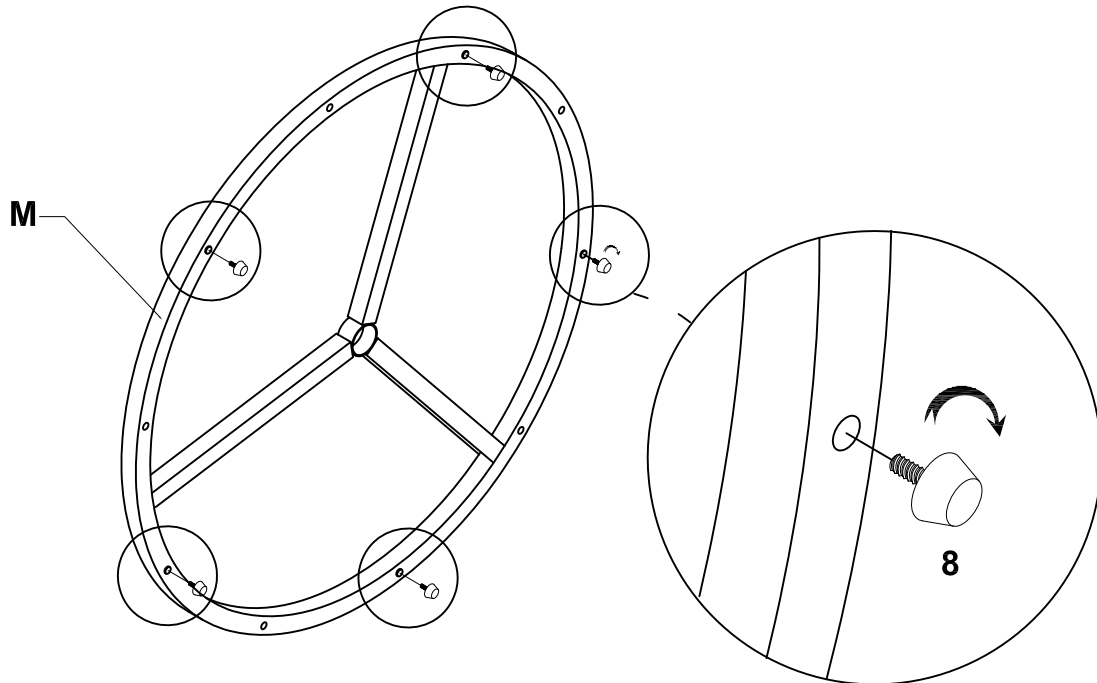
ASSEMBLY INSTRUCTIONS

STEP 1:




8		5PCS
---	---	------

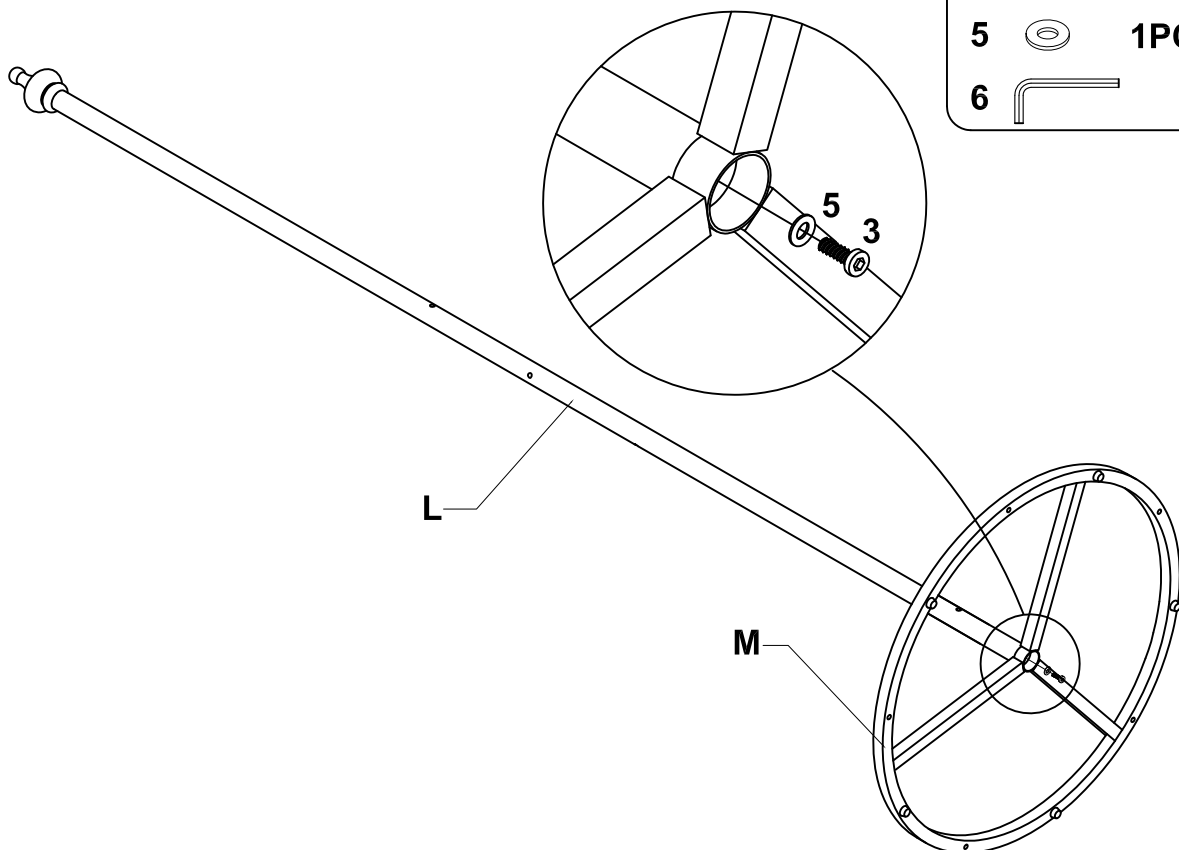
ASSEMBLY

Do not fully tighten all bolts until assembly is complete.
This will help all parts to assemble properly.




STEP 2:

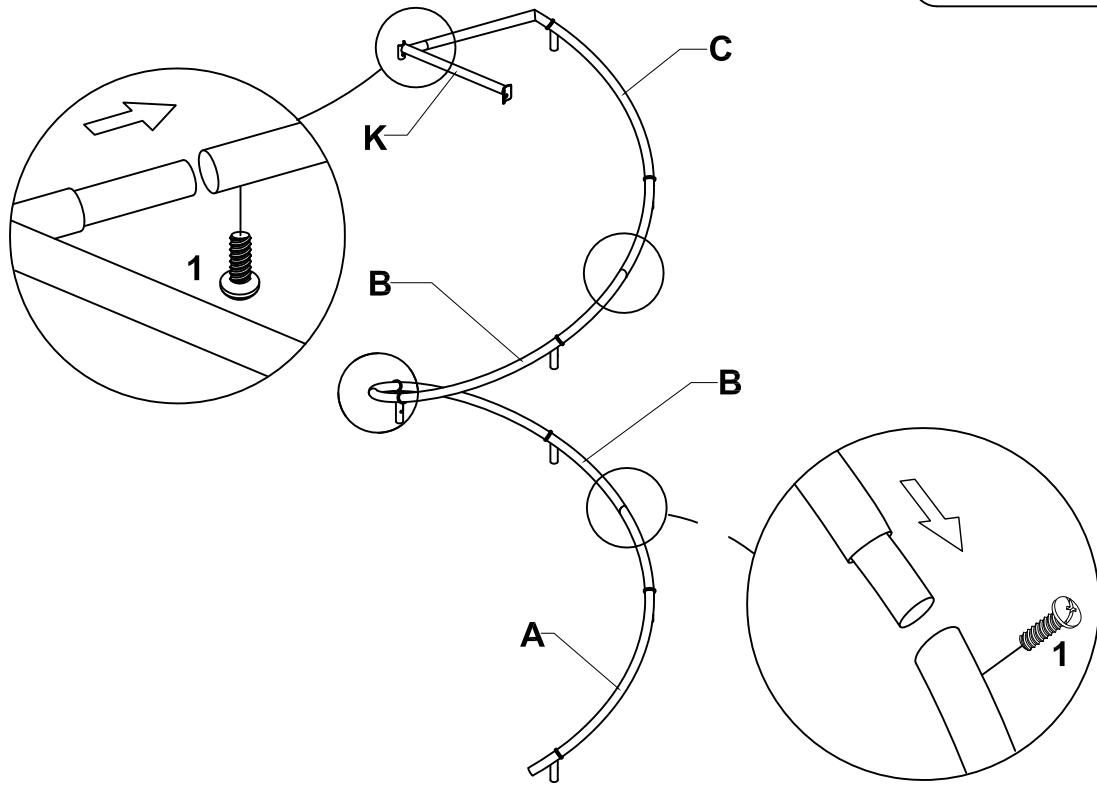
3		1PC
5		1PC
6		




ASSEMBLY INSTRUCTIONS

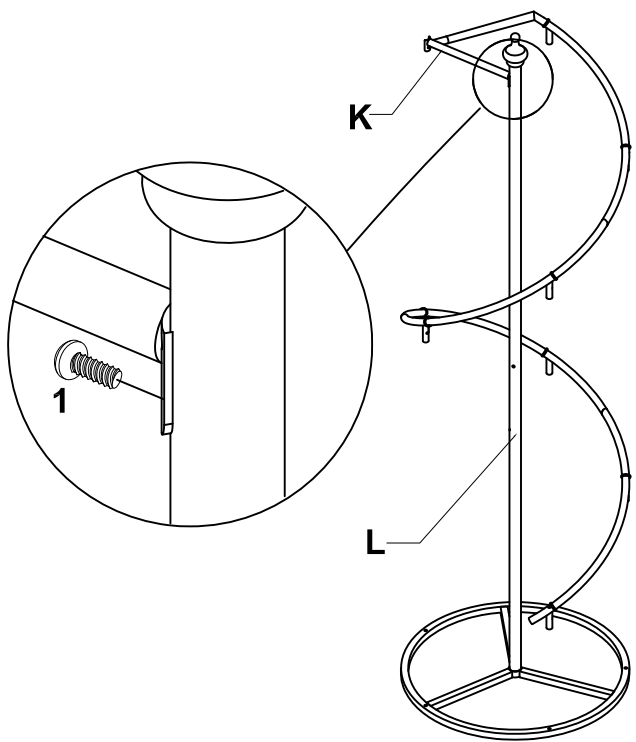
STEP 3:

1  4PCS




STEP 4:

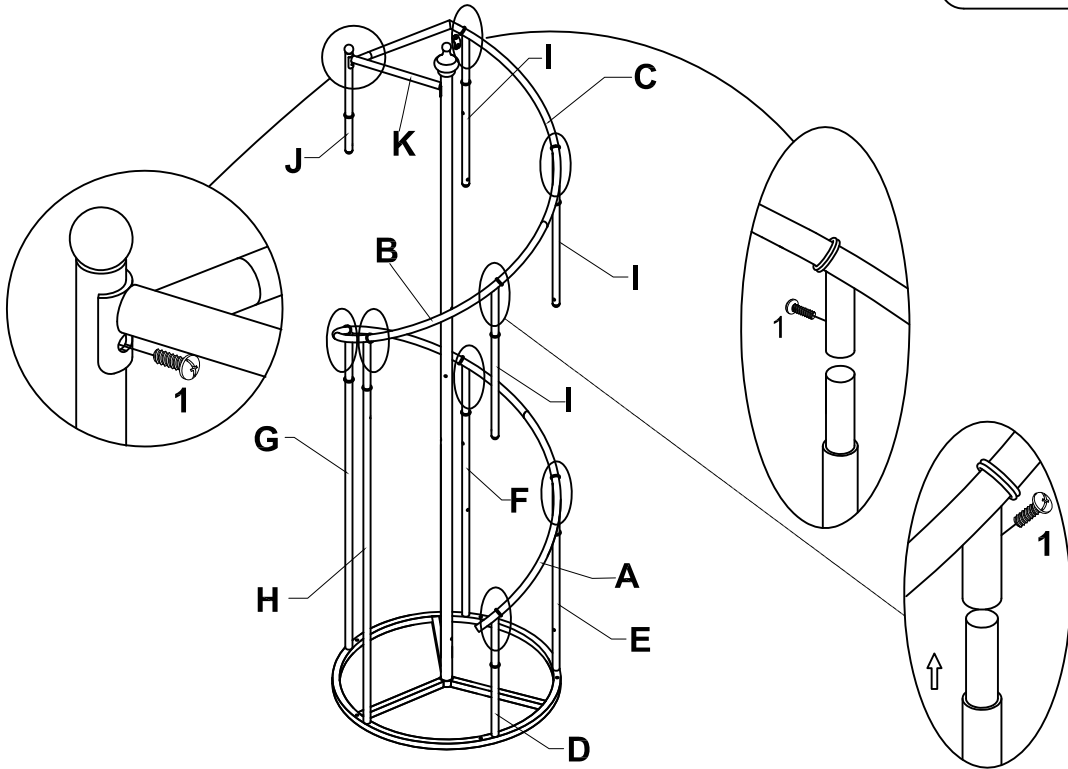
1  1PC




ASSEMBLY INSTRUCTIONS

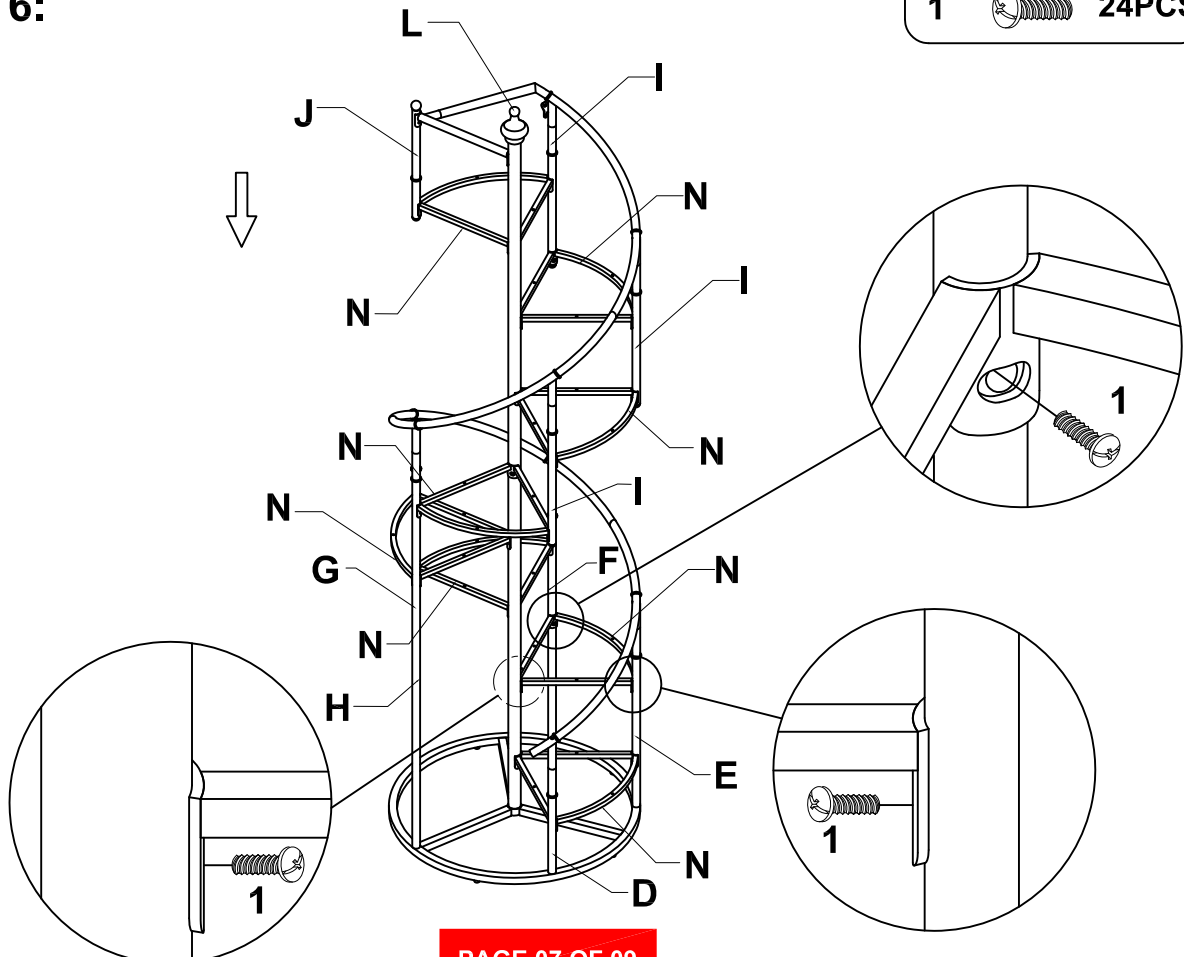
STEP 5:

1  9PCS




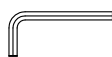
STEP 6:

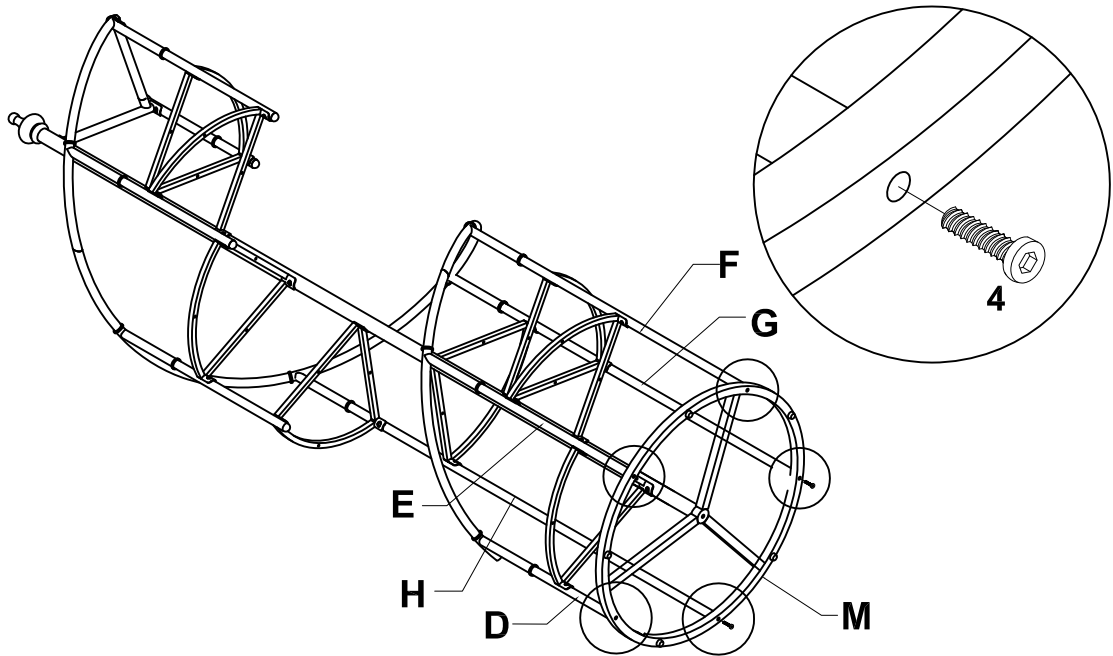
1  24PCS




ASSEMBLY INSTRUCTIONS

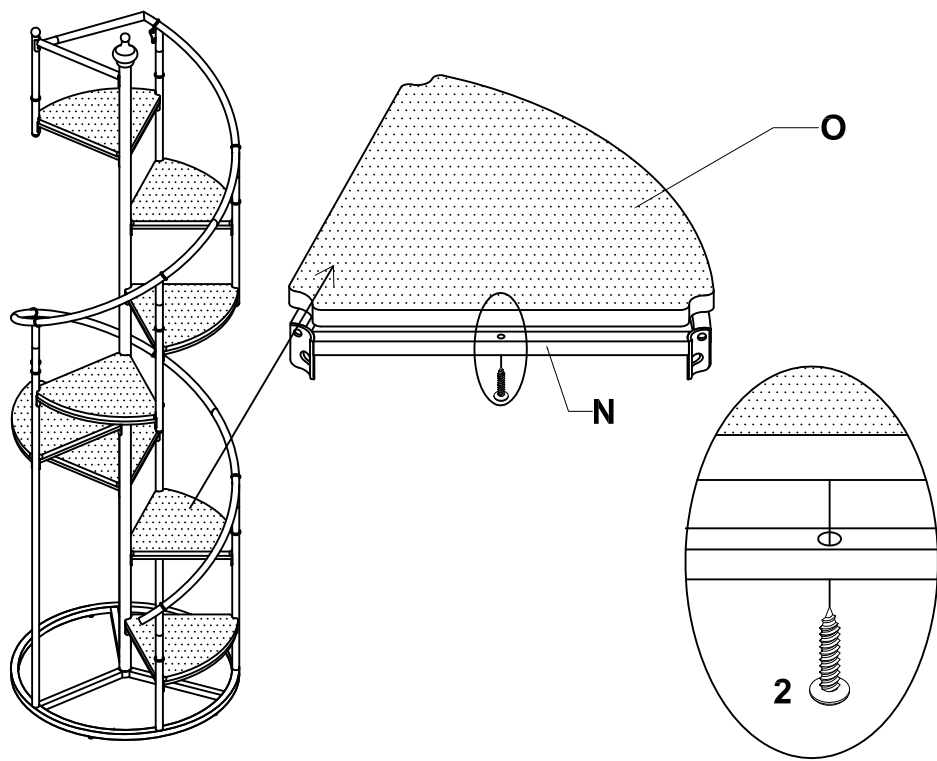
STEP 7:

- 4  5PCS
- 6  1PC



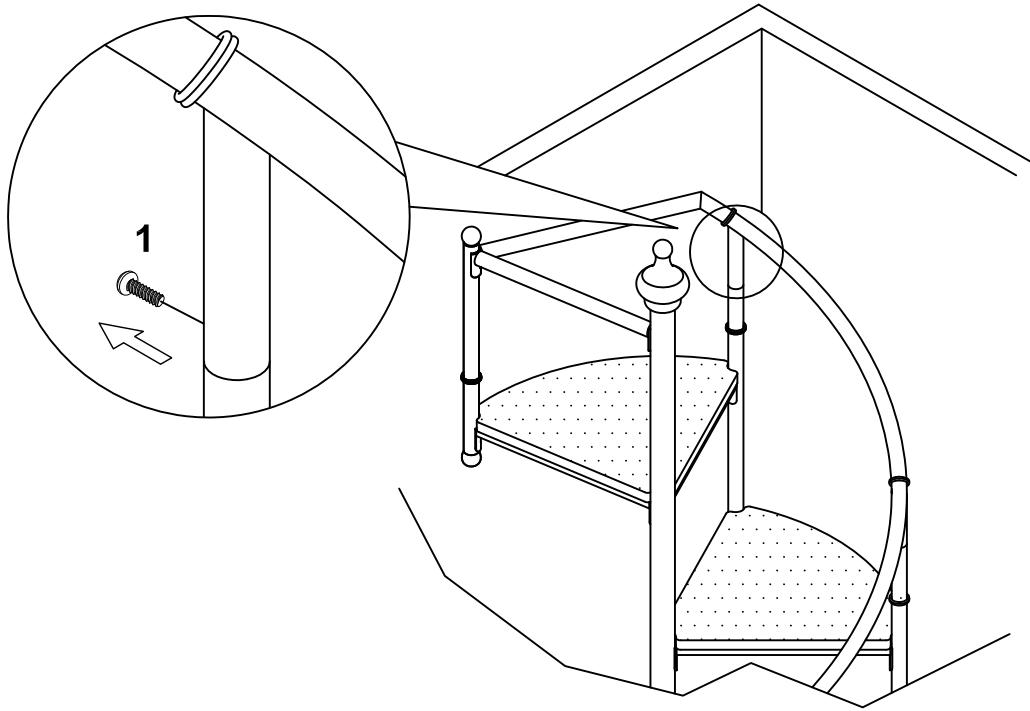
STEP 8:

- 2  24PCS

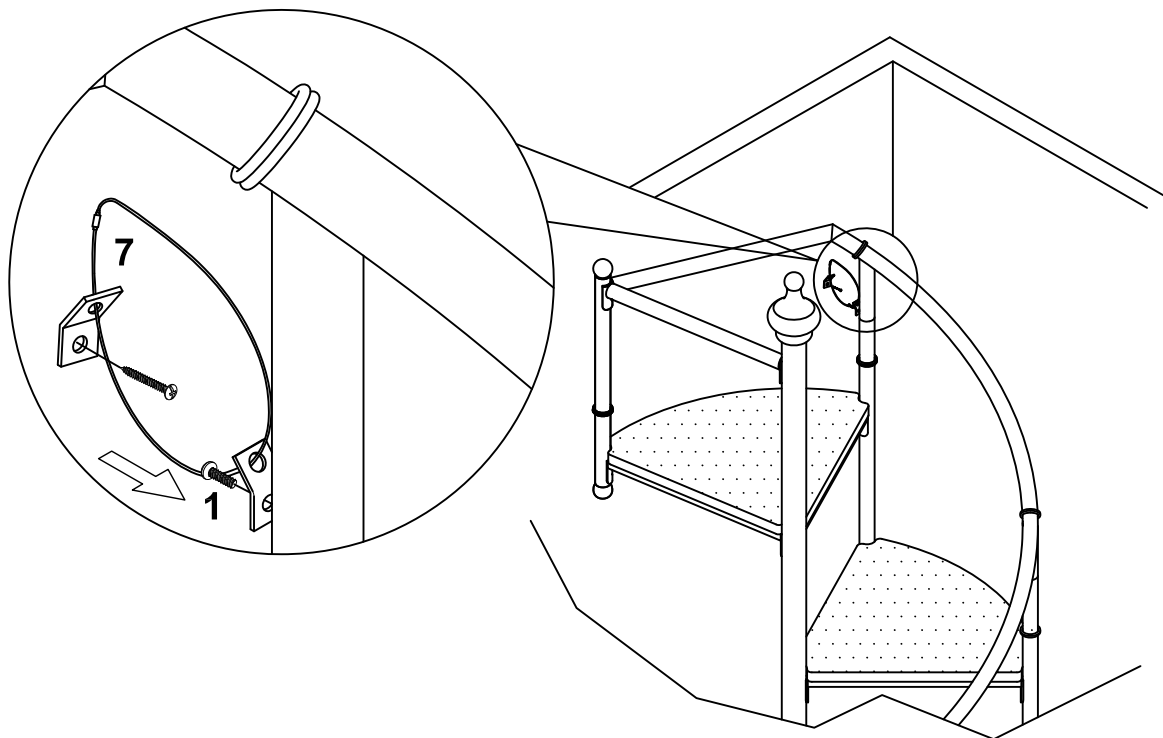
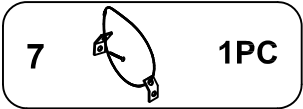


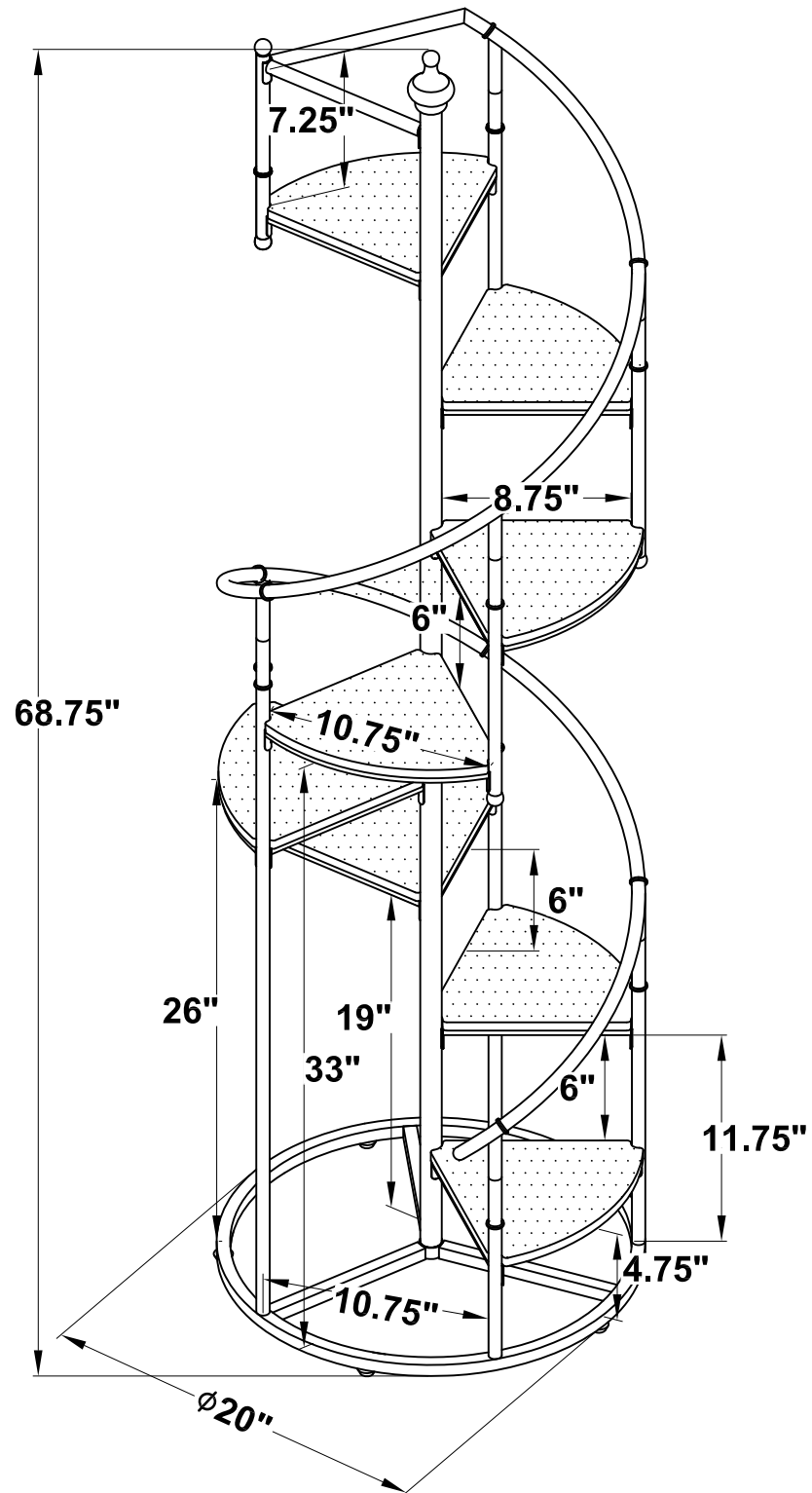
ASSEMBLY INSTRUCTIONS

STEP 9:



STEP 10:





Note : Dimension tolerance $\pm 5\%$