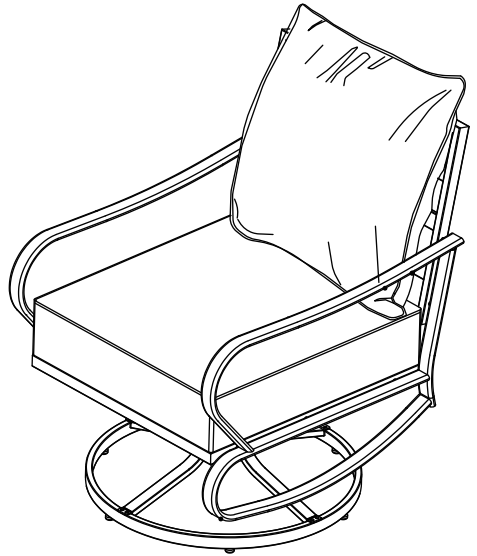
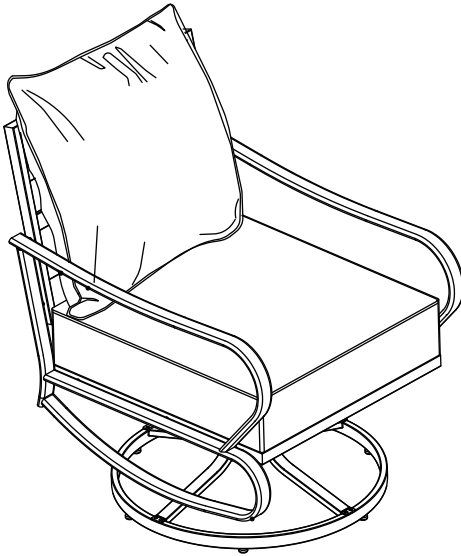


# METAL SWIVEL CHAIR



# NOTICE


---

**Please keep these instructions for future reference.**

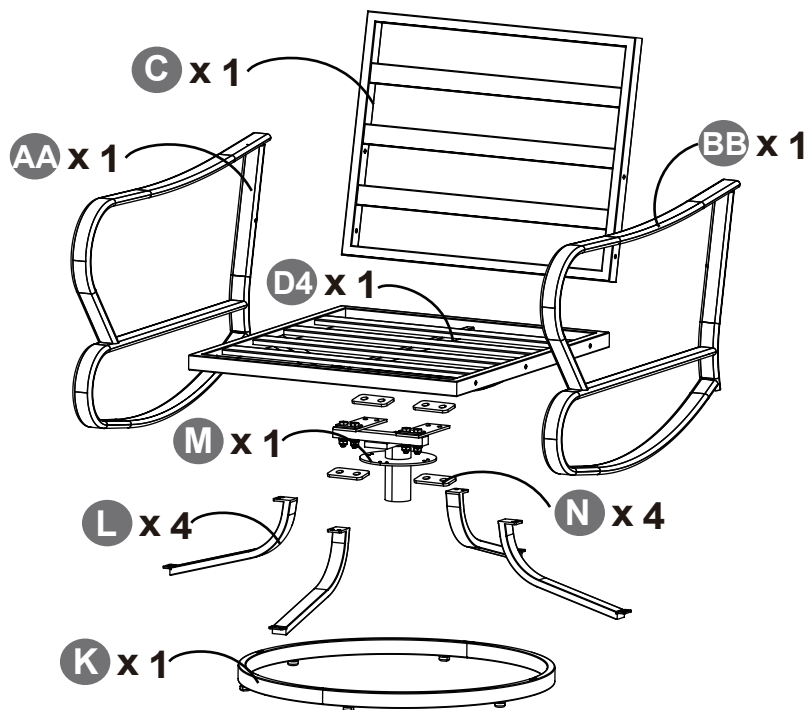
**Dear Customer**

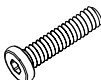

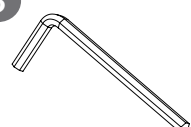
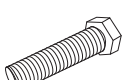



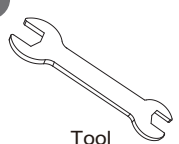


- Thank you for your purchase. When you receive the product, please make sure that all the parts are intact. Then follow the entire installation instructions to install!
- Please install under viewing the instruction, if you have some problem below, contact our customer service first.
  - A . The outer box is damaged
  - B . The product is damaged / bent / cracked while you open the box
  - C . The parts / accessories / assembly tools are missing
  - D . The instructions are not clear and can not be referred
  - E . The product has functional problems
  - F . Other aspects that you are not satisfied with

Please feel free to contact us for help. Our after-sales team service we will reply within 24 hours and will do our best to resolve the problem for you.

 **When installing furniture, please do not tighten the screws all the way in one step (up to 60% is sufficient). Align all the holes first and gradually tighten them.**

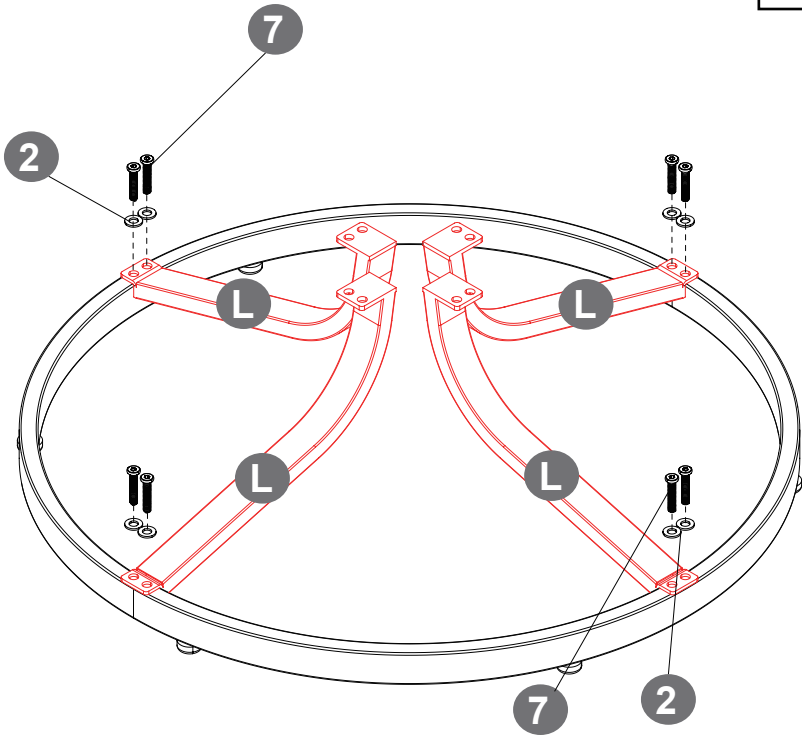
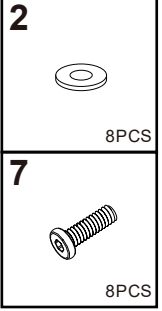
# PART LIST



<p><b>1</b></p>  <p>M6*35MM</p> <p>x10</p>	<p><b>2</b></p>  <p>M6</p> <p>x26</p>	<p><b>3</b></p>  <p>Tool</p> <p>x1</p>	<p><b>4</b></p>  <p>M8*40MM</p> <p>x4</p>
<p><b>5</b></p>  <p>M8</p> <p>x4</p>	<p><b>6</b></p>  <p>M8</p> <p>x4</p>	<p><b>7</b></p>  <p>M6*15MM</p> <p>x16</p>	<p><b>8</b></p>  <p>Tool</p> <p>x2</p>
<p><b>12</b></p>  <p>x4</p>	<p><b>11</b></p>  <p>Waterproof Cover</p> <p>x1</p>		



# STEP

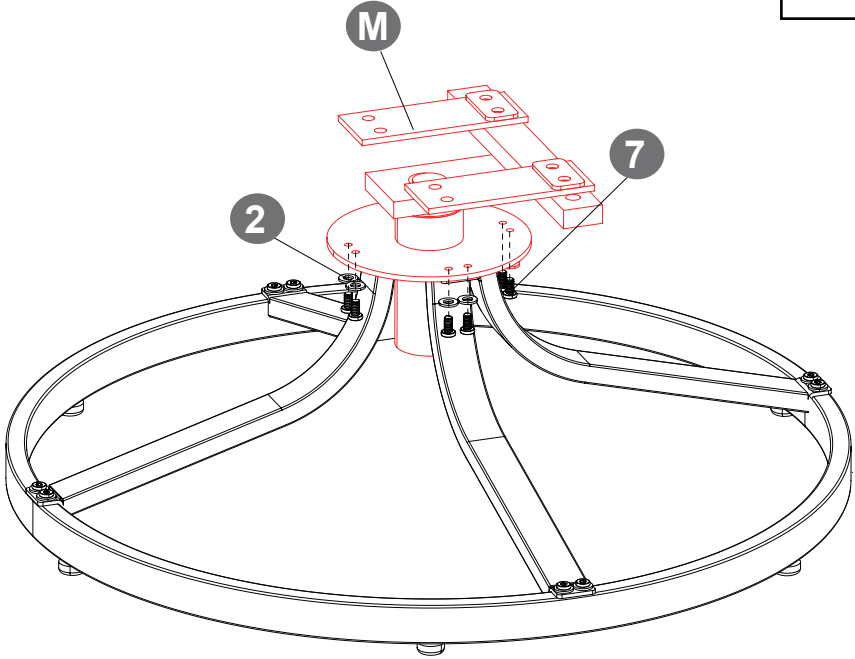
1



# STEP

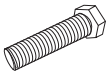



2

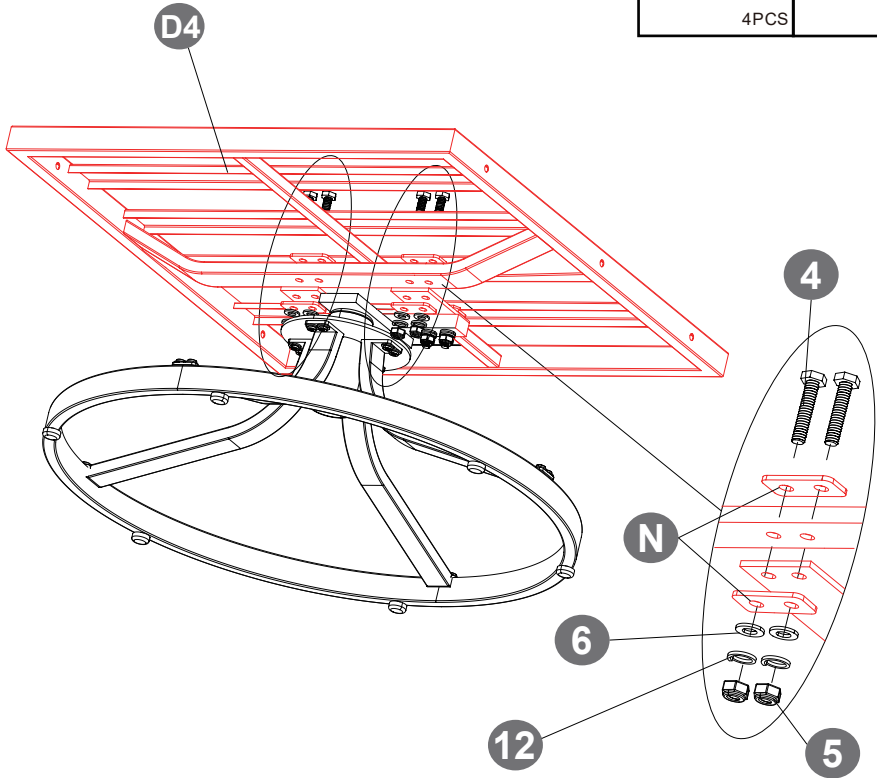
2		8PCS
7		8PCS



# STEP

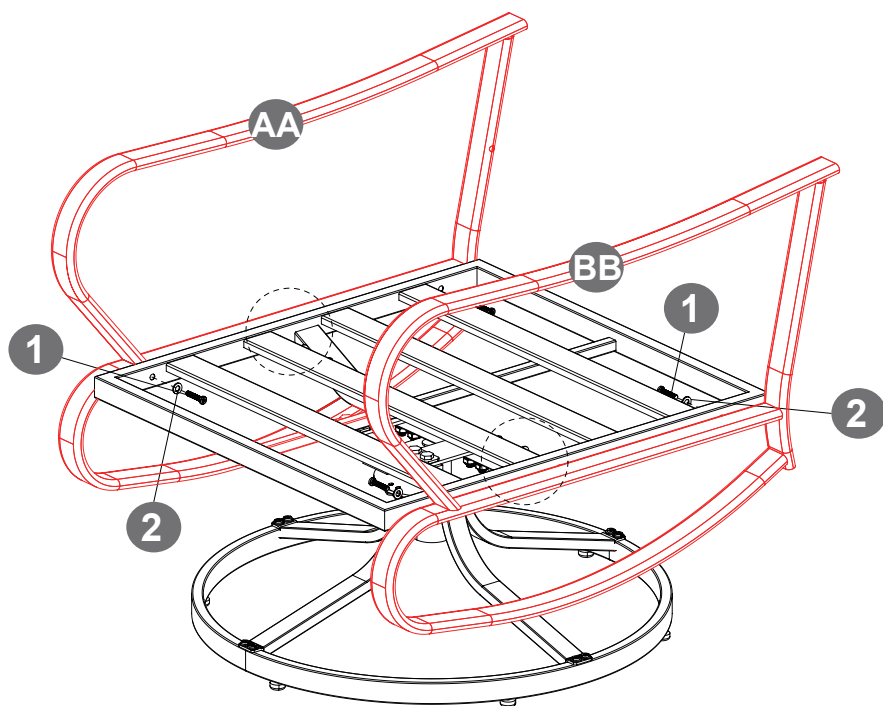
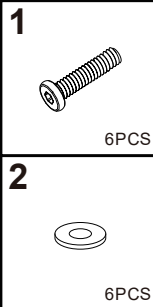
3

<b>4</b>  4PCS	<b>5</b>  4PCS
<b>6</b>  4PCS	<b>12</b>  4PCS



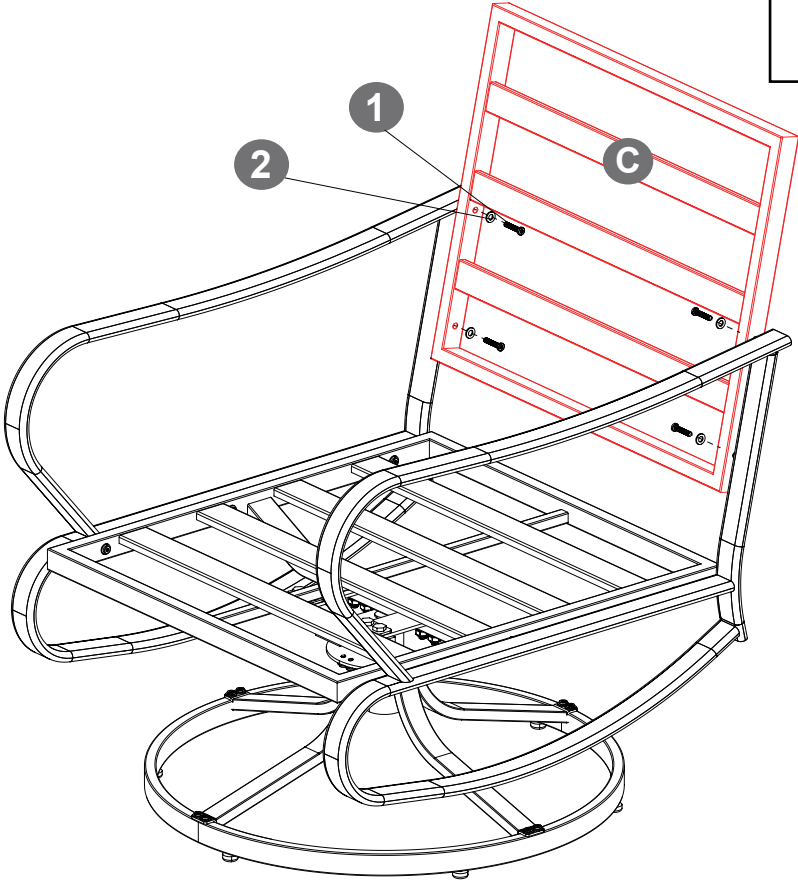
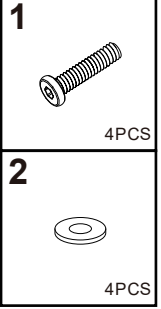
# STEP

4



# STEP

5



# STEP

6

