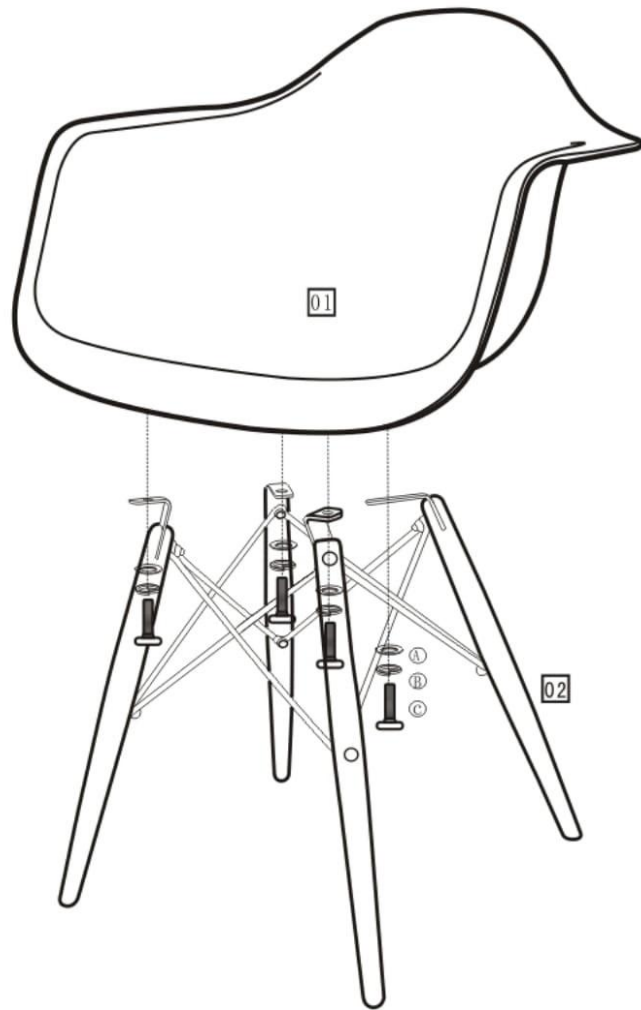


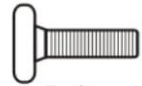


# ASSEMBLY INSTRUCTION

## COMPONENT PARTS



## FITTINGS

- A

X4  
 Regular washer
- B

X4  
 Lock washer
- C

X4  
 Bolt

## COMPONENT CHECKLIST

| PART | No. | Qty. |   |
|------|-----|------|---|
| Seat | 01  | 1    |   |
| tube | 02  | 1    |  |

## TOOLS REQUIRED



Allen key (supplied)

### Step1

Please place the seat and the feet upside down

### Step2

Please put 2 screws diagonally and rotate them into the holes loosely. A should go closest to the chair. B should go closest to the head of the bolt. Please be kindly noted that we can not tighten the screws at the moment.

### Step3

Please load the remaining 2 screws also diagonally

### Step4

Please push the metal bars on the shell until the holes match with each other

### Step5

Tighten these 2 screws together with the previous 2 screws.

### Step6

Please place the chair upside down