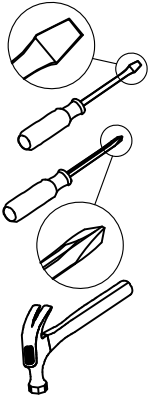


Installation & Assembly



As this item contains many parts, please read the installation instruction carefully before installation . Please use tools properly and carefully.

Before You Start

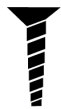
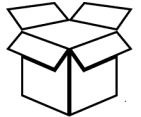


- ✓ Read through each step carefully and follow the proper order
- ✓ Separate and count all your parts and hardware
- ✓ Give yourself enough room for the assembly process
- ✓ Have the following tools: Flat Head Screwdriver, #2 Phillips Head Screwdriver and Hammer
- ✓ Caution: If using a power drill or power screwdriver for screwing, please be aware of to slow down and stop when screw is tight. Failure to do so may result in stripping the screw. (Assembly speed can be increased by using electric screwdriver)

Helpful Hints

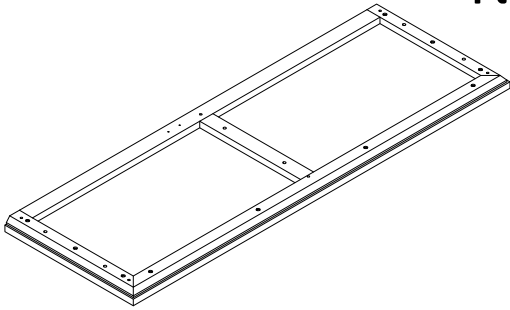
PEOPLE NEEDED FOR ASSEMBLY: 1-2

- Open your item in the area you plan to keep it to avoid excessive heavy lifting.
- Identify, sort and count the parts before attempting assembly.
- Compression dowels are lightly tapped in with a hammer.
- Slides are labeled with an **R** (right) and **L** (left) for proper placement.
- Make sure to always face the point on the top of the Cam Lock towards the outer edge.
- If there is a back panel in the package, please install it to make sure your unit is complete and sturdy.
- Please fix all the screws provided for the back panel which can enhance product stability. If it is difficult to fix it when tightening, it can be fixed with the help of a hammer and then tightened.
- Do NOT use harsh chemicals or abrasive cleaners on this item.
- Never push, pull, or drag your furniture.

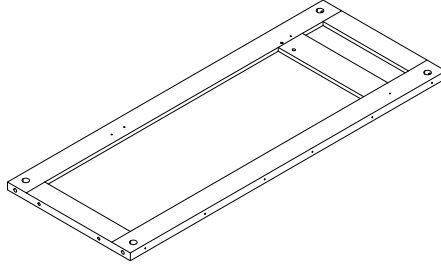


Board Identification

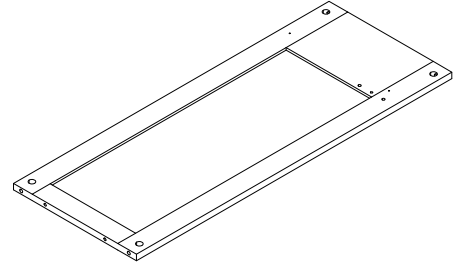
Not actual size



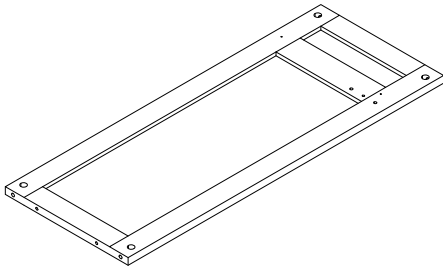
(A)
TOP
Qty:1



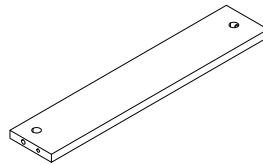
(B)
LEFT SIDE PANEL
Qty:1



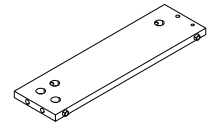
(C)
PARTITION
Qty:1



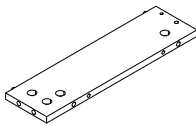
(D)
RIGHT SIDE PANEL
Qty:1



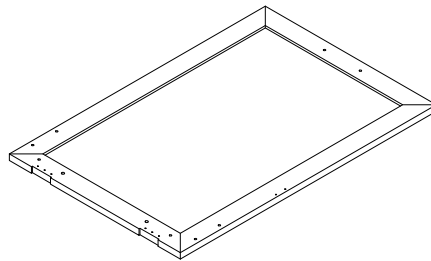
(E)
RAIL
Qty:2



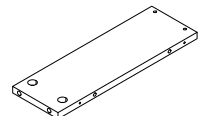
(F)
LEFT BASE PANEL
Qty:1



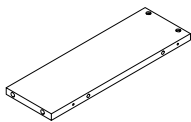
(G)
RIGHT BASE PANEL
Qty:1



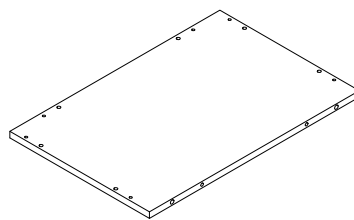
(I)
RIGHT DOOR
Qty:2



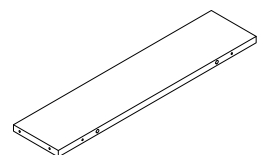
(J)
INNER LEFT SIDE PANEL
Qty:2



(K)
INNER RIGHT SIDE PANEL
Qty:2



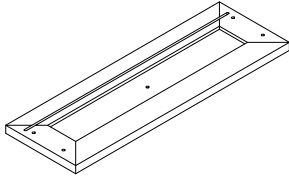
(L)
INNER BOTTOM
Qty:2



(M)
INNER BACK PANEL
Qty:2

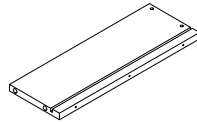
Board Identification

Not actual size



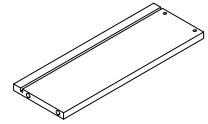
(N)

DRAWER FRONT
Qty:2



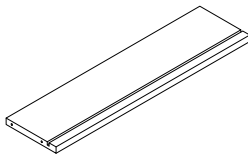
(O)

LEFT DRAWER SIDE
Qty:2



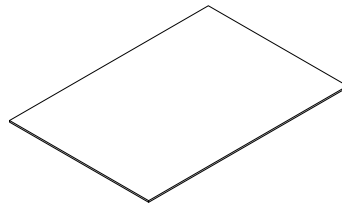
(P)

RIGHT DRAWER SIDE
Qty:2



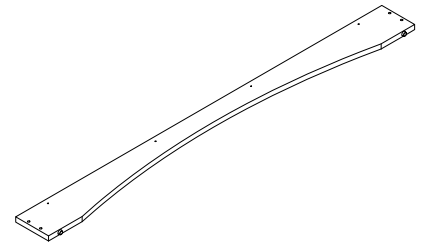
(Q)

DRAWER BACK
Qty:2



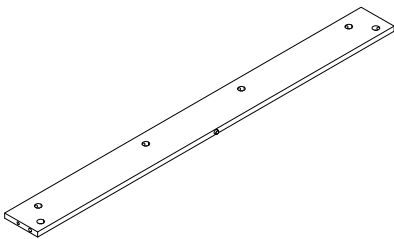
(R)

DRAWER BOTTOM
Qty:2



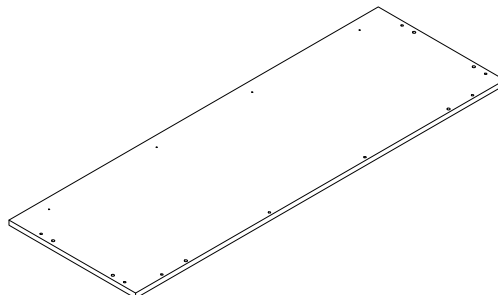
(S)

FRONT RAIL
Qty:1



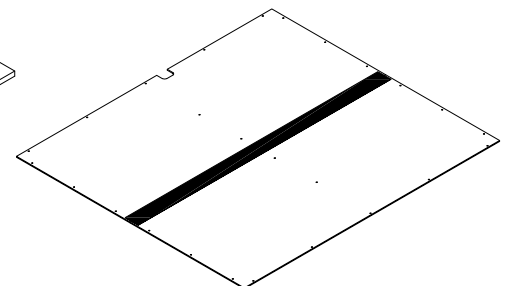
(T)

RAIL
Qty:1



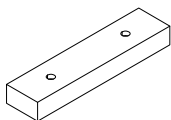
(V)

BOTTOM
Qty:1



(W)

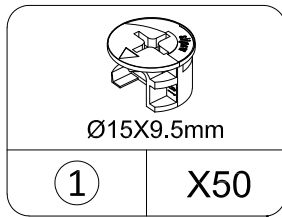
BACK PANEL
Qty:1



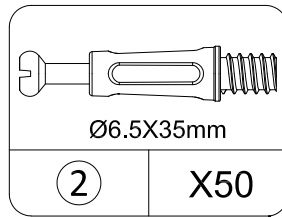
(Y)

SUPPORT BLOCK
Qty:2

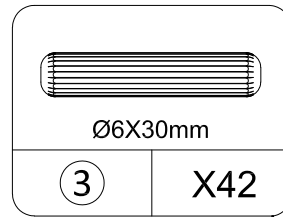
Part List



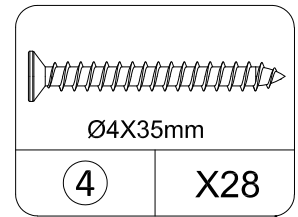
CAM LOCK
spare:2



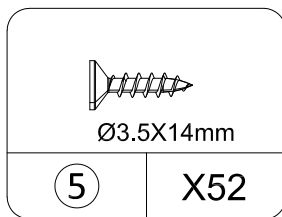
CAM BOLT
spare:2



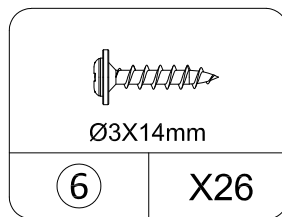
WOODEN DOWEL
spare:2



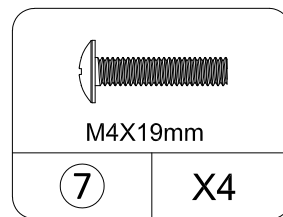
SCREW
spare:1



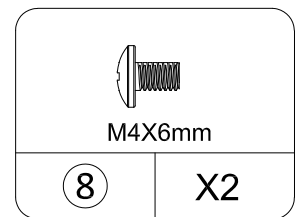
SCREW
spare:2



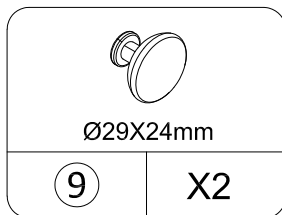
SCREW
spare:2



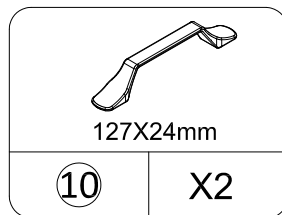
BOLT



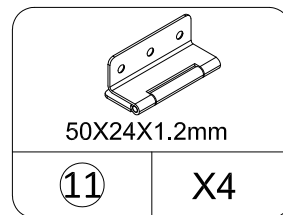
BOLT



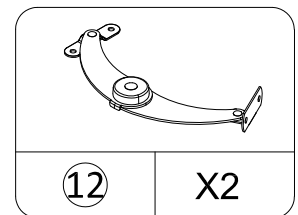
HANDLE



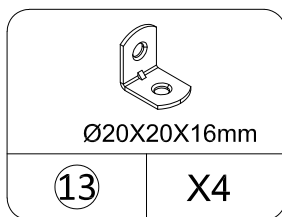
HANDLE



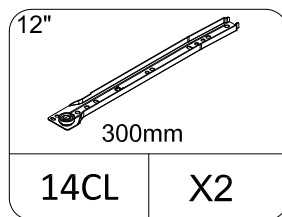
HINGLE



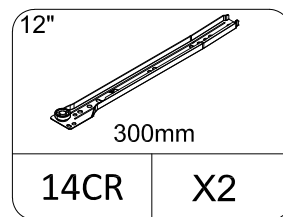
LEFT HINGE



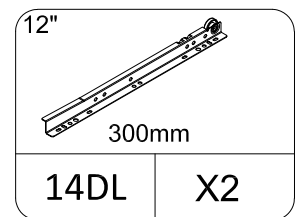
L -SHAPED IRON



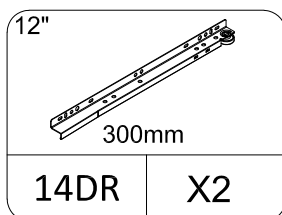
LEFT CABINET MEMBER



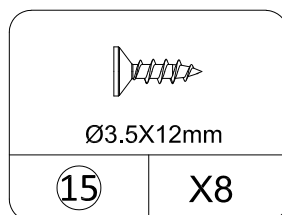
RIGHT CABINET MEMBER



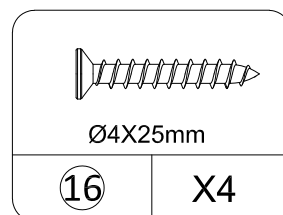
LEFT DRAWER RUNNER



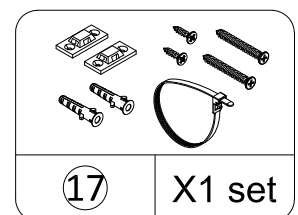
RIGHT DRAWER RUNNER



SCREW
spare:1



SCREW

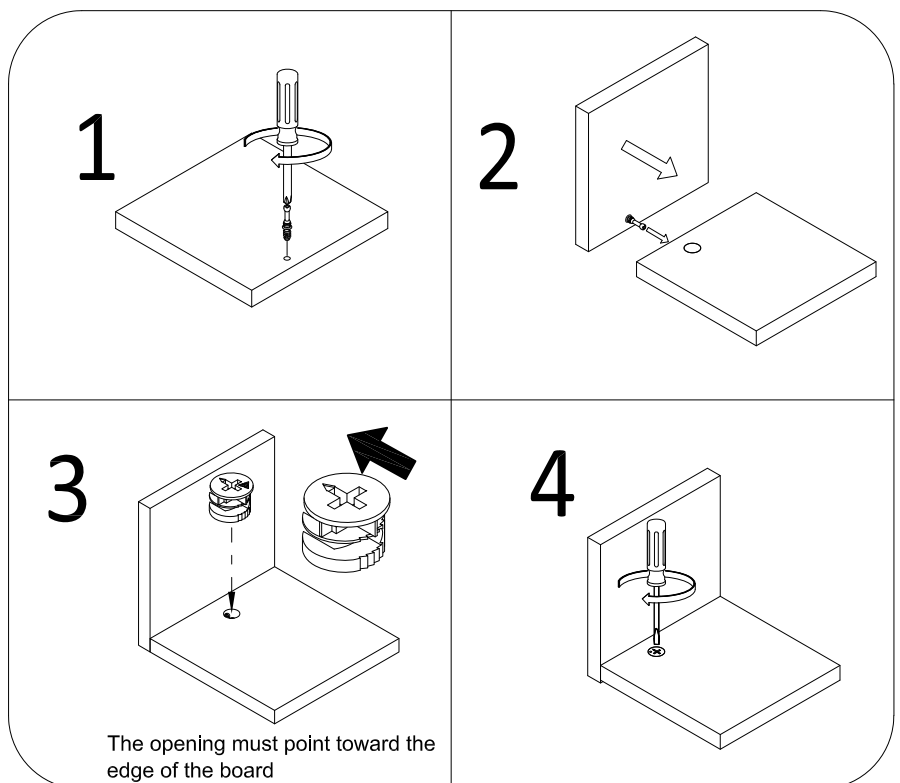


ANTI-TIPPING HARDWARE

Part List

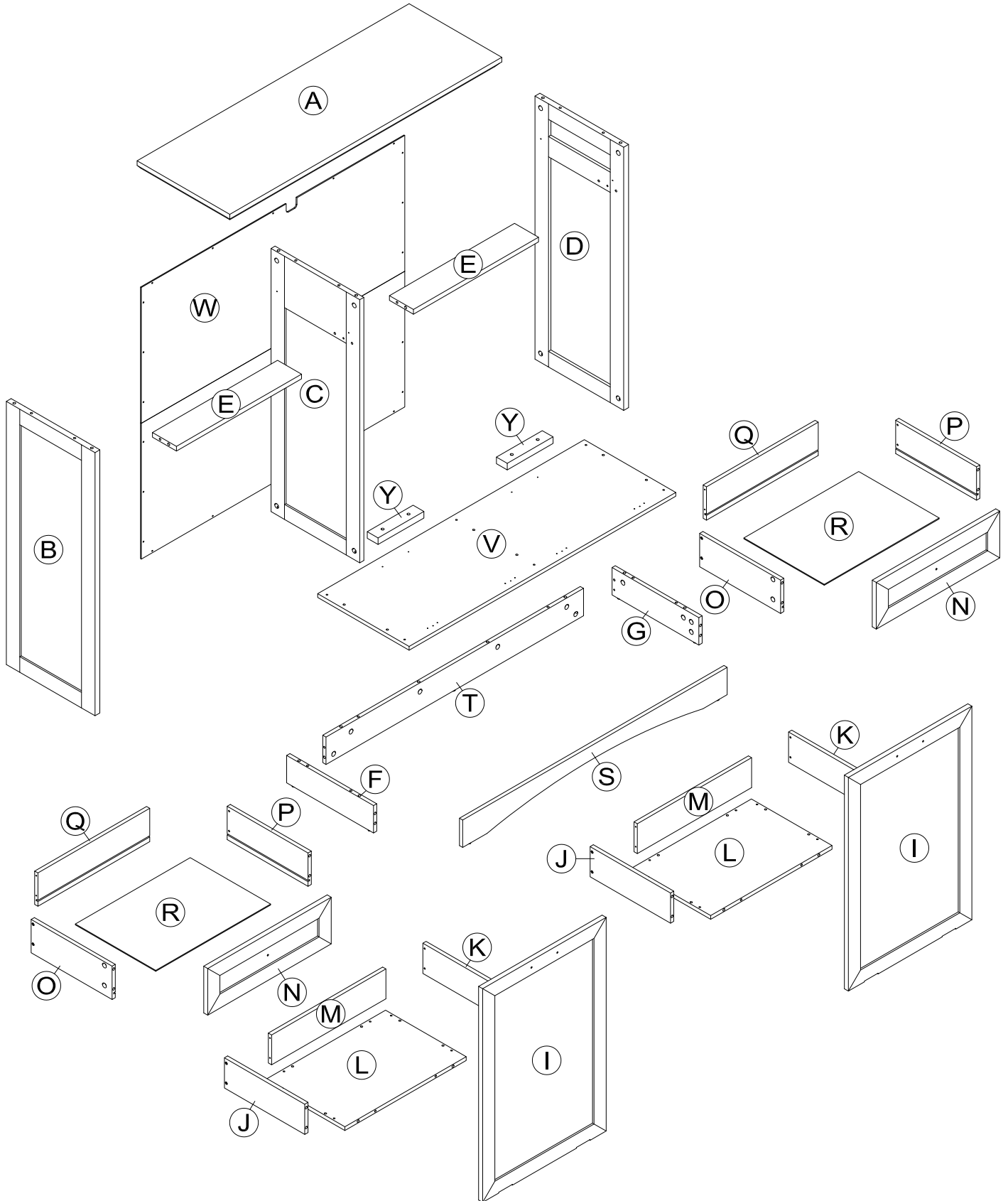
Cam Lock Fastening System

Insert the cam bolt into the hole first, then insert the cam lock and lock it.

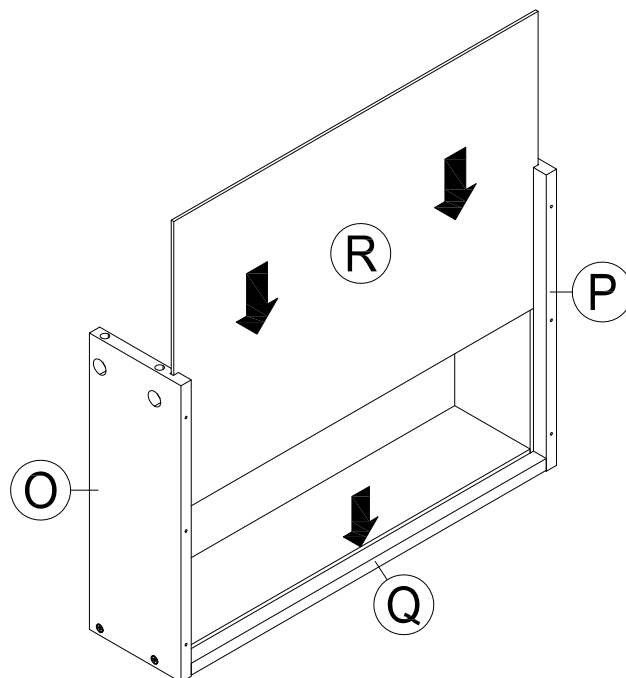
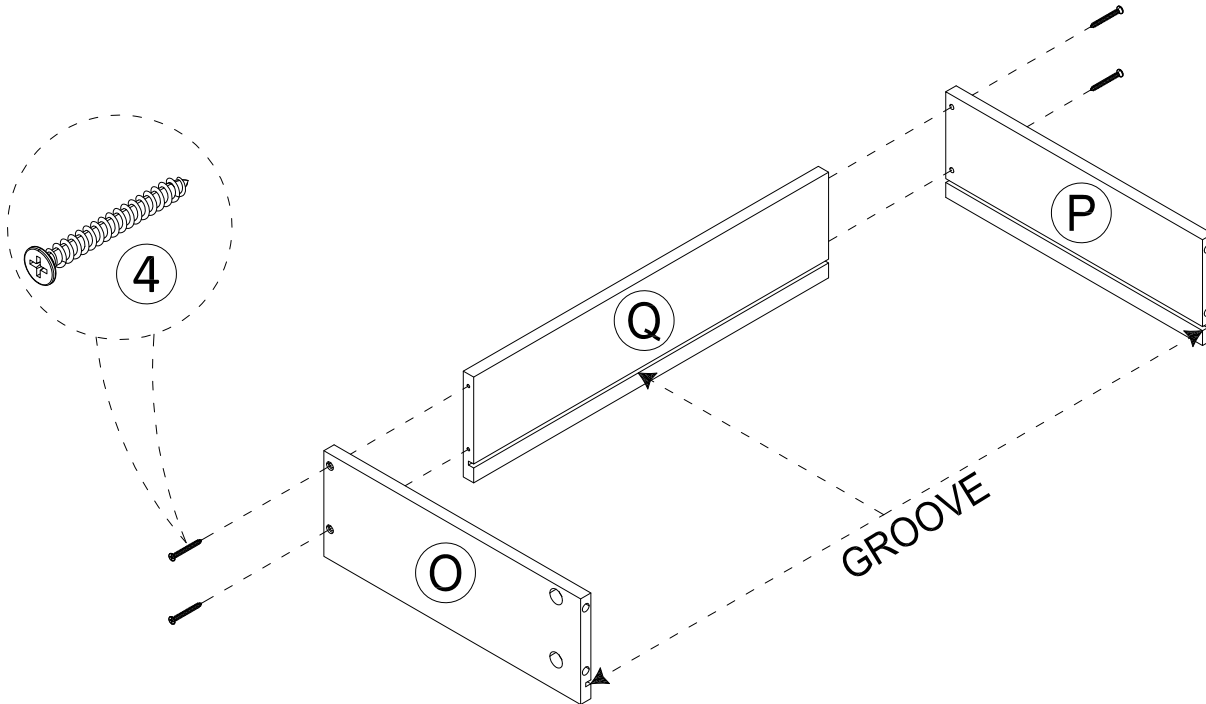
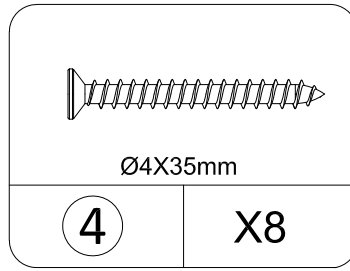
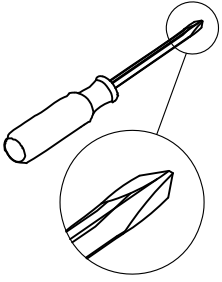


Board Identification

Not actual size

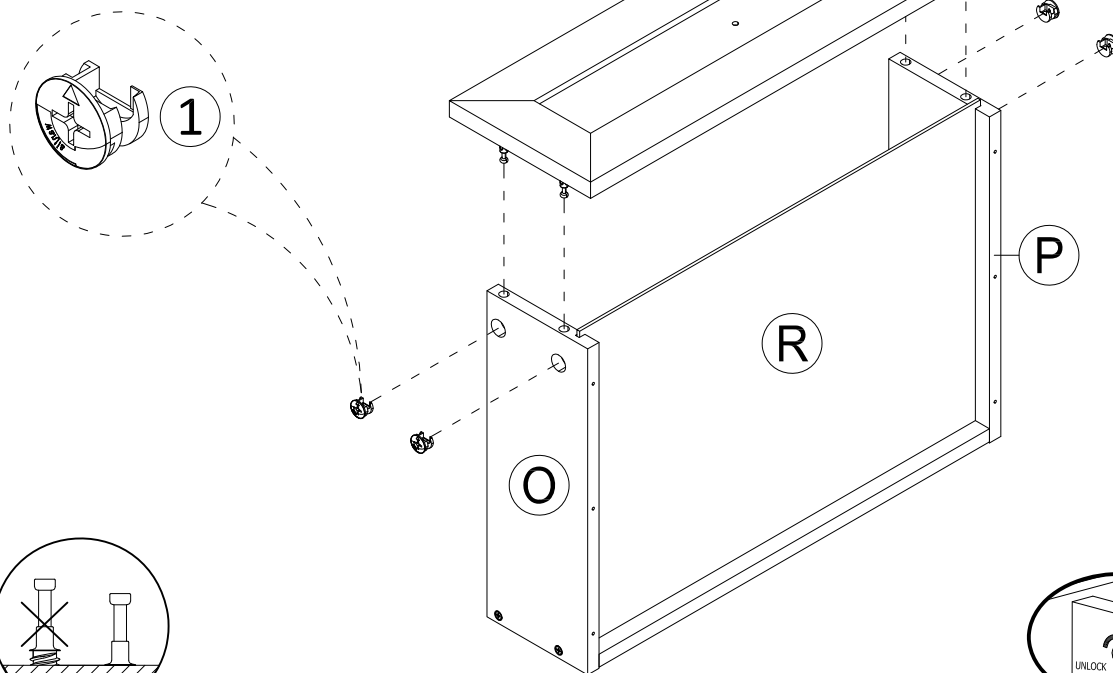
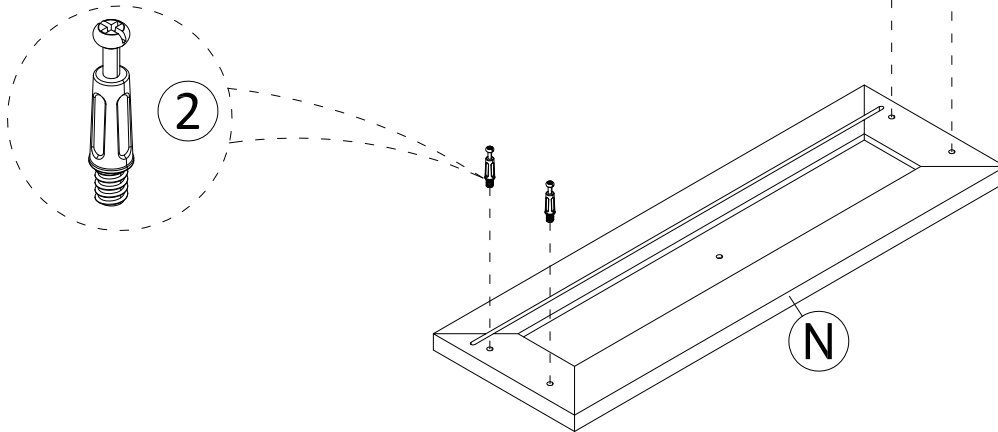
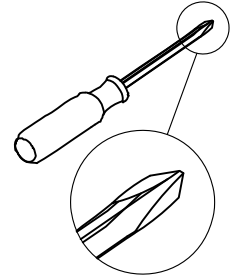
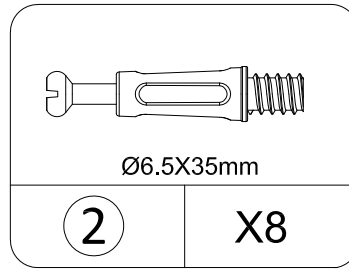
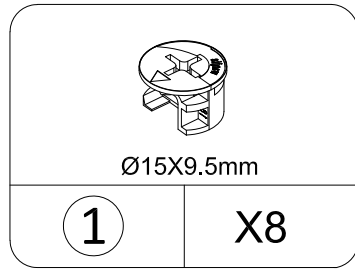
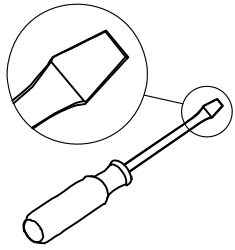


STEP 1

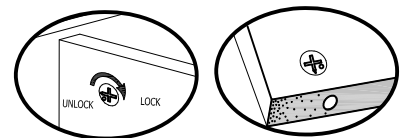
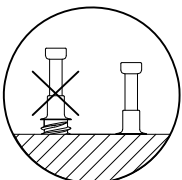


x 2

STEP 2

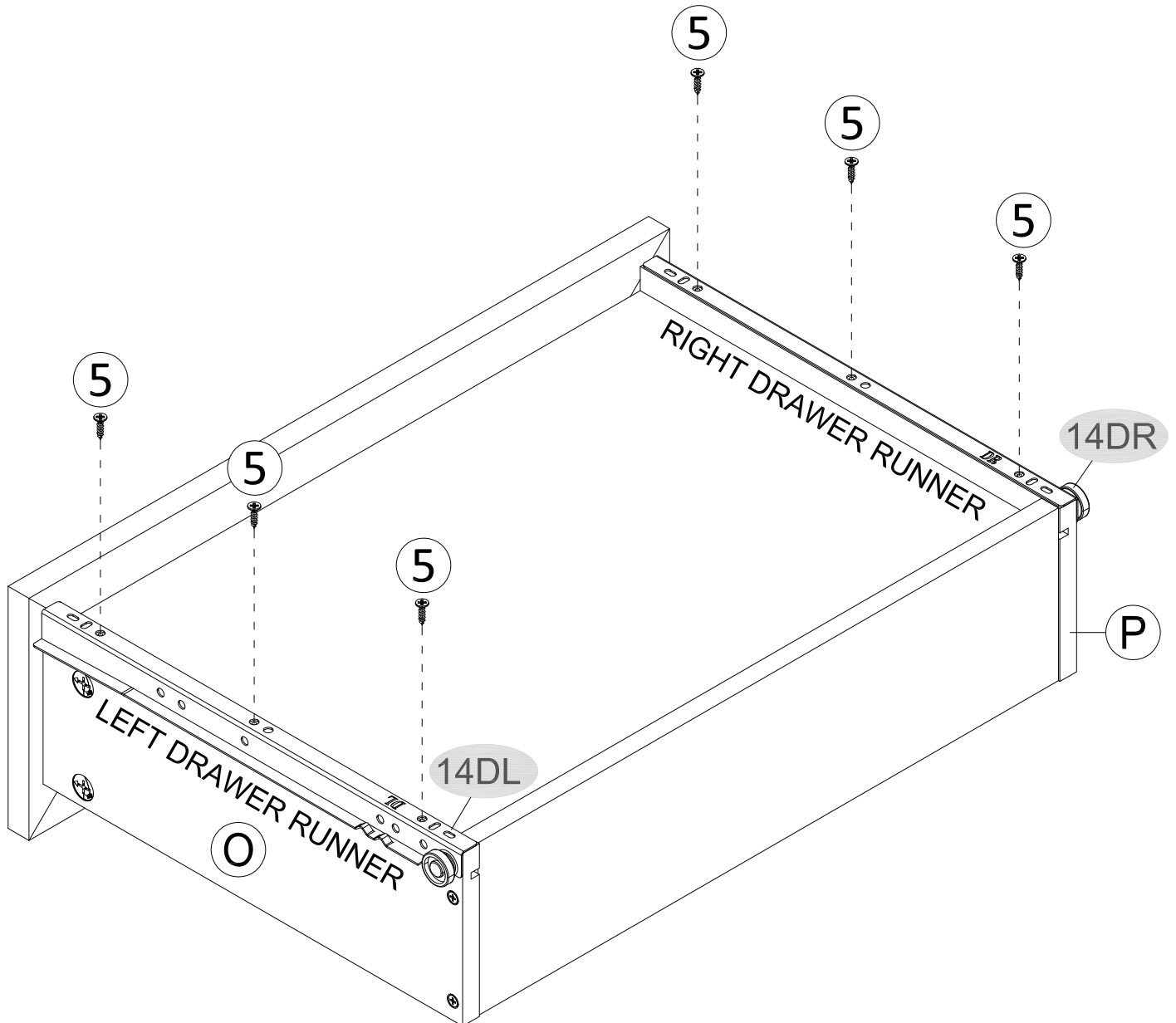
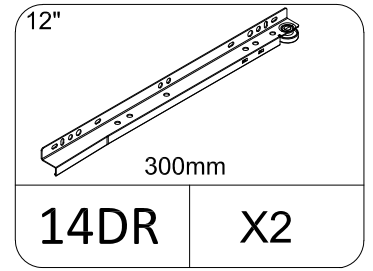
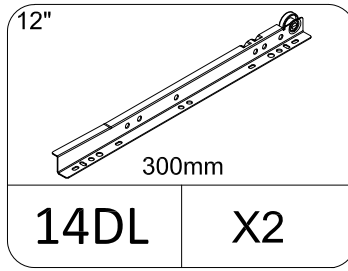
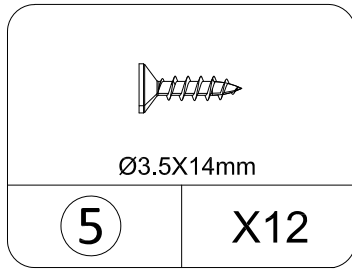
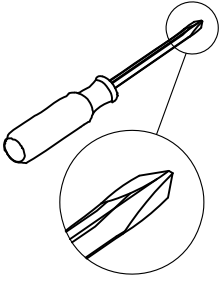


x 2



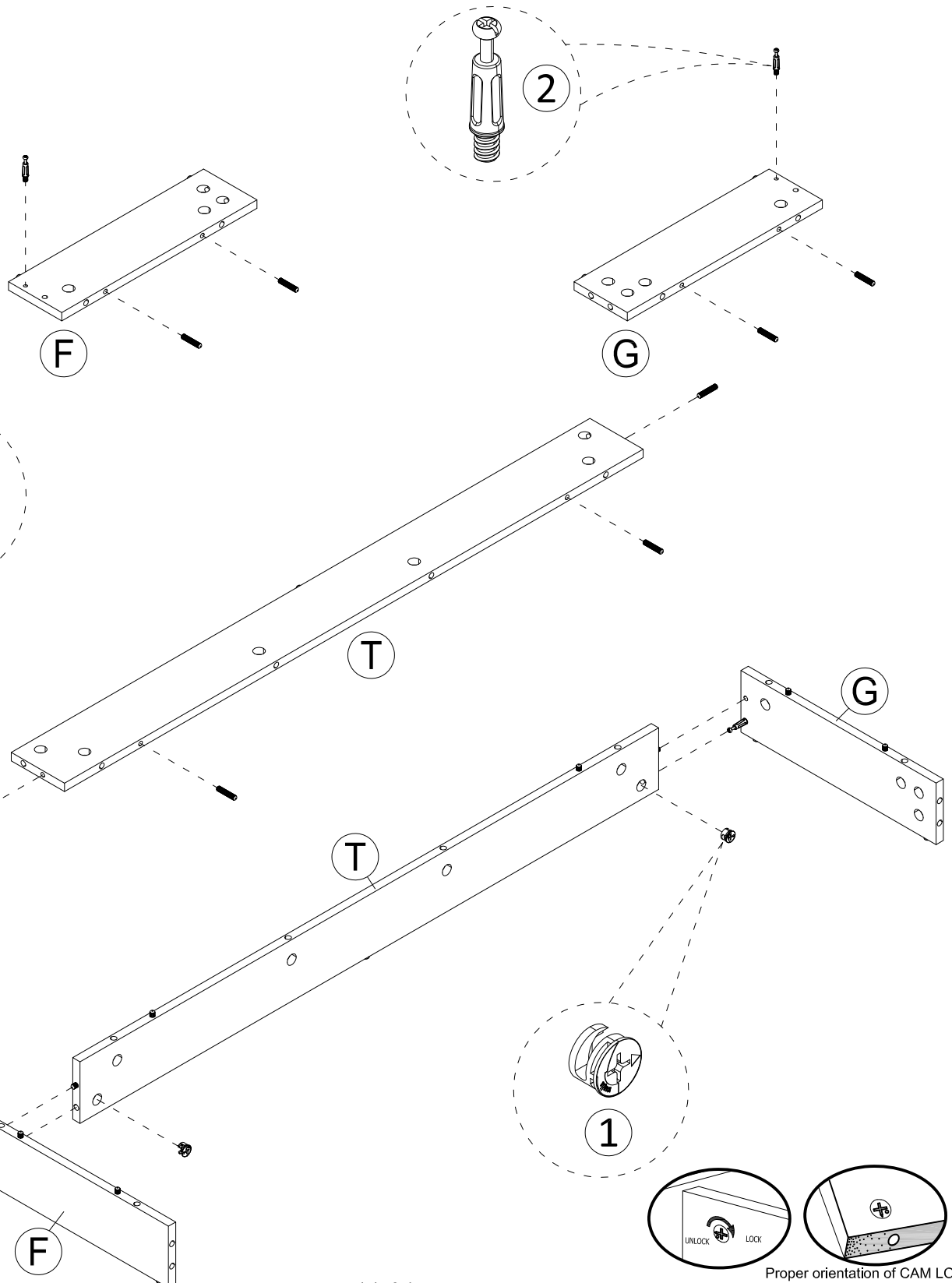
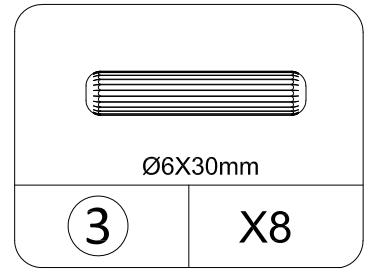
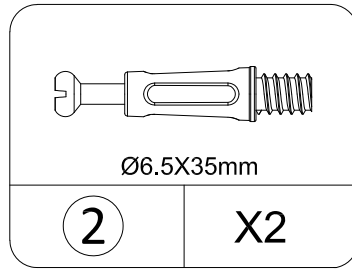
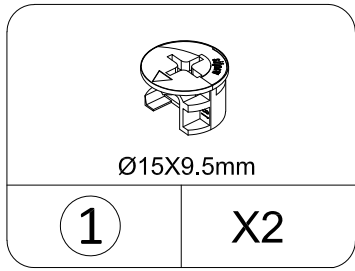
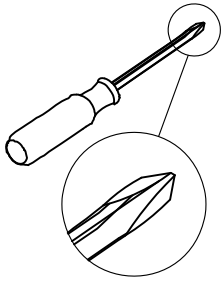
Proper orientation of CAM LOCK

STEP 3



x 2

STEP 4



STEP 5

Ø15X9.5mm

① X4

Ø6.5X35mm

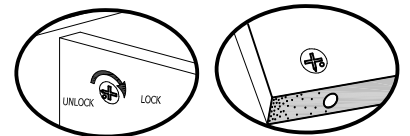
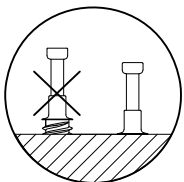
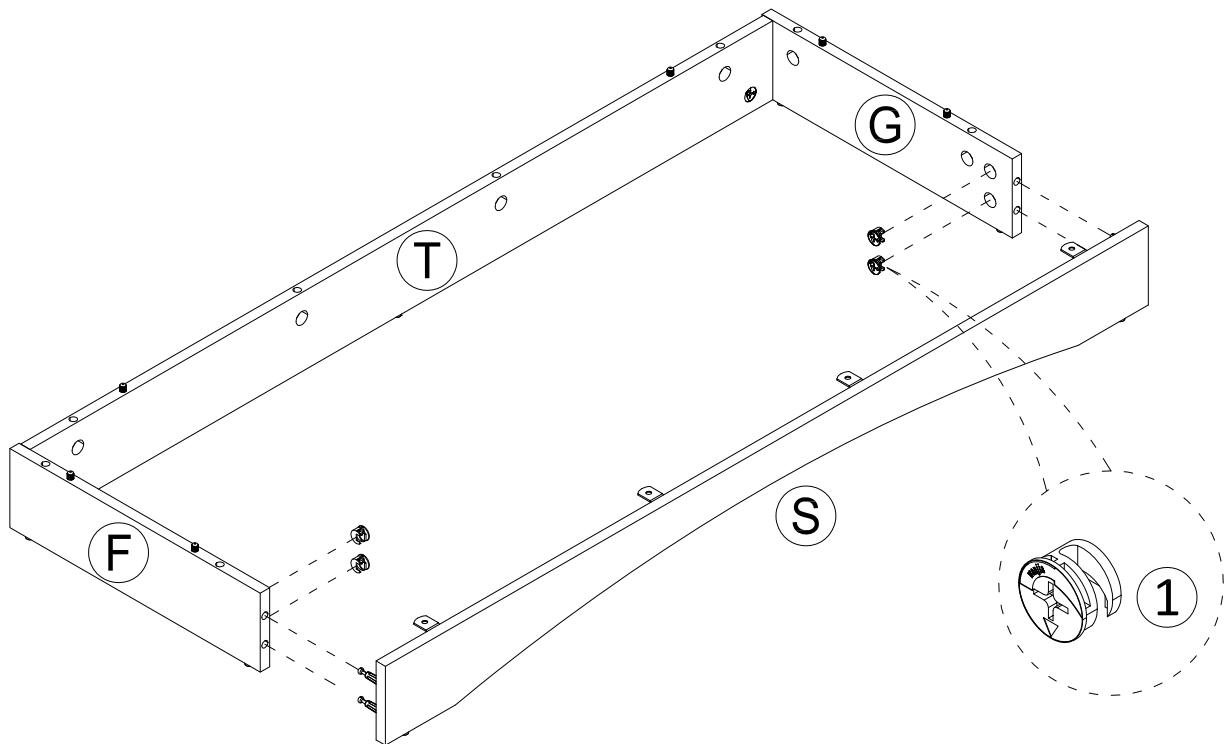
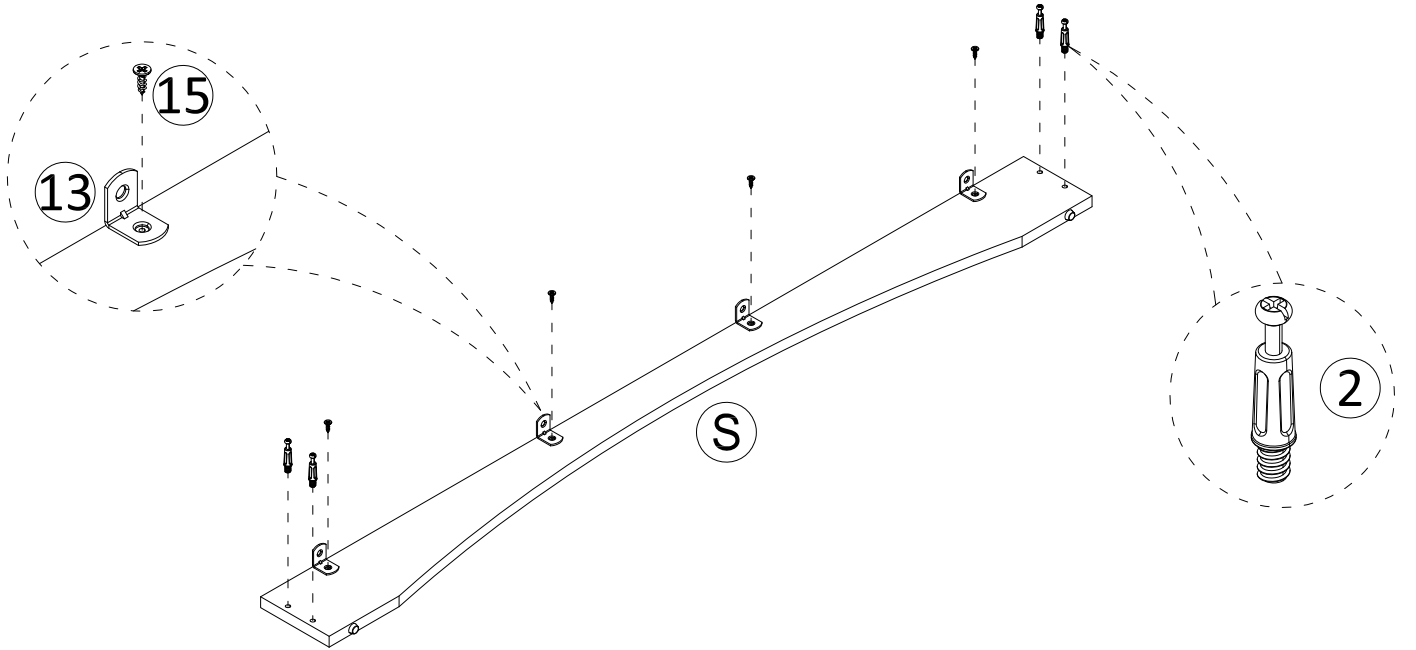
② X4

Ø3.5X12mm

⑮ X4

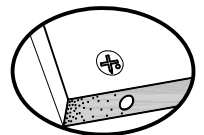
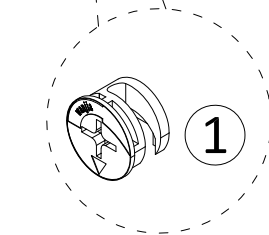
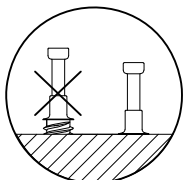
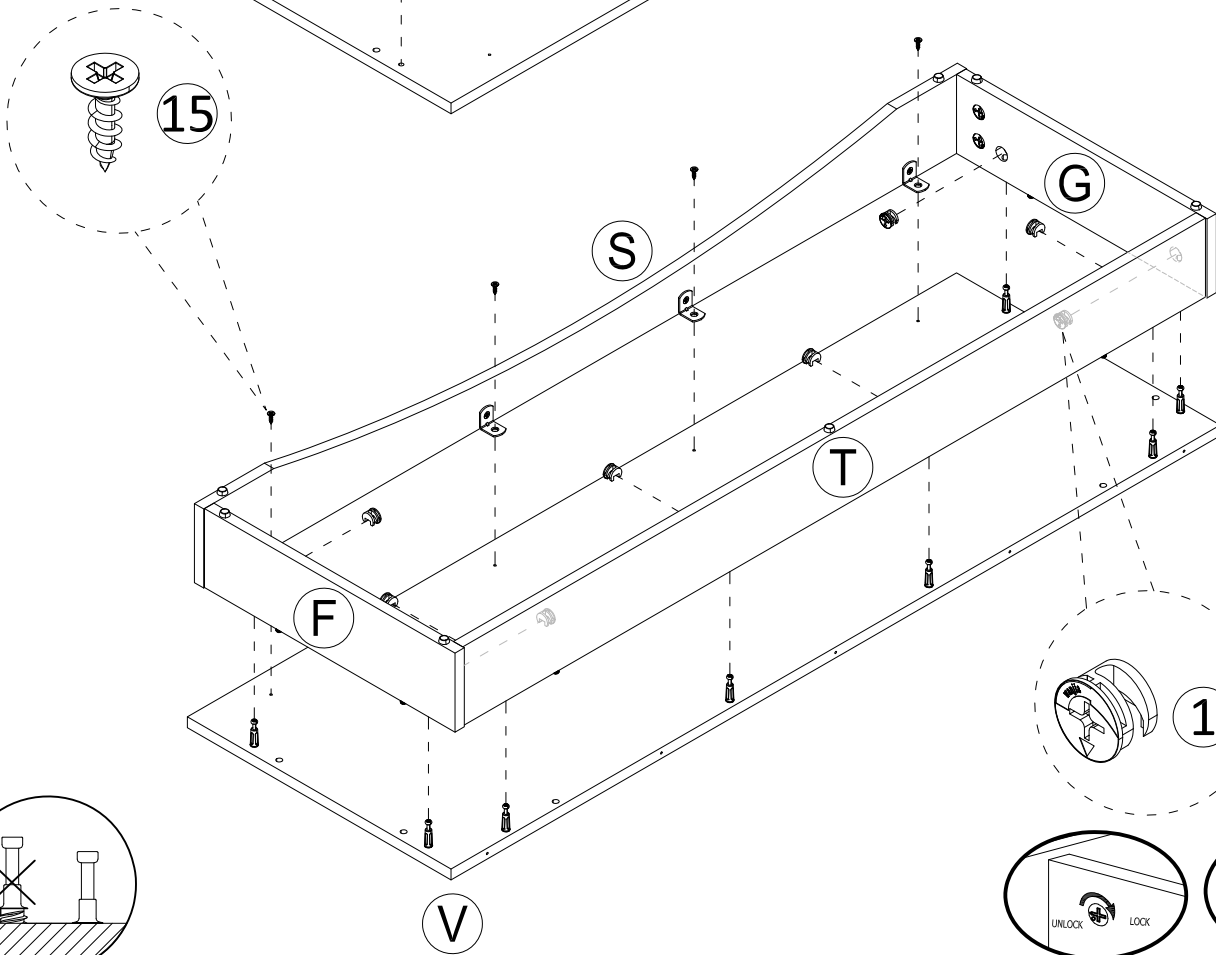
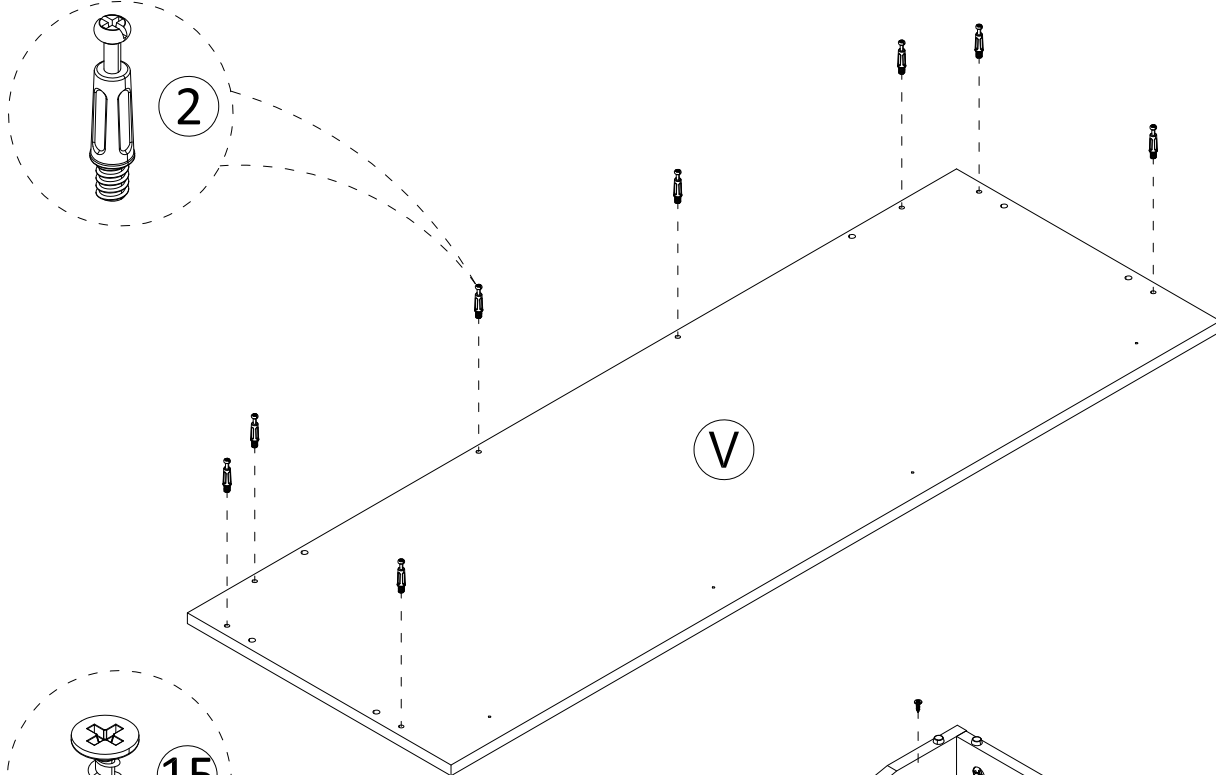
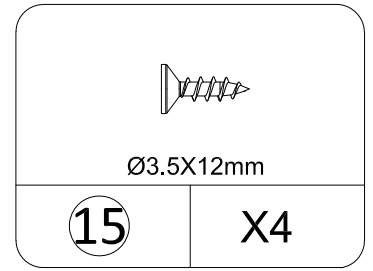
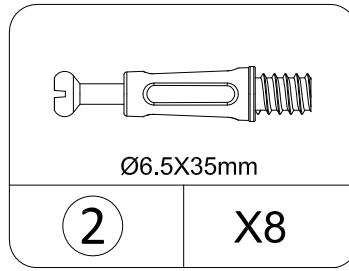
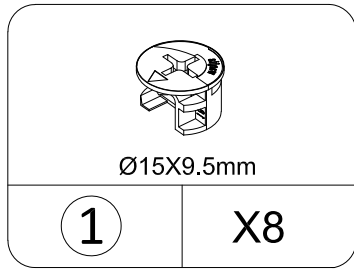
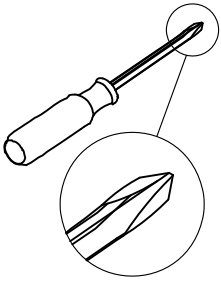
20X20X16mm

⑬ X4



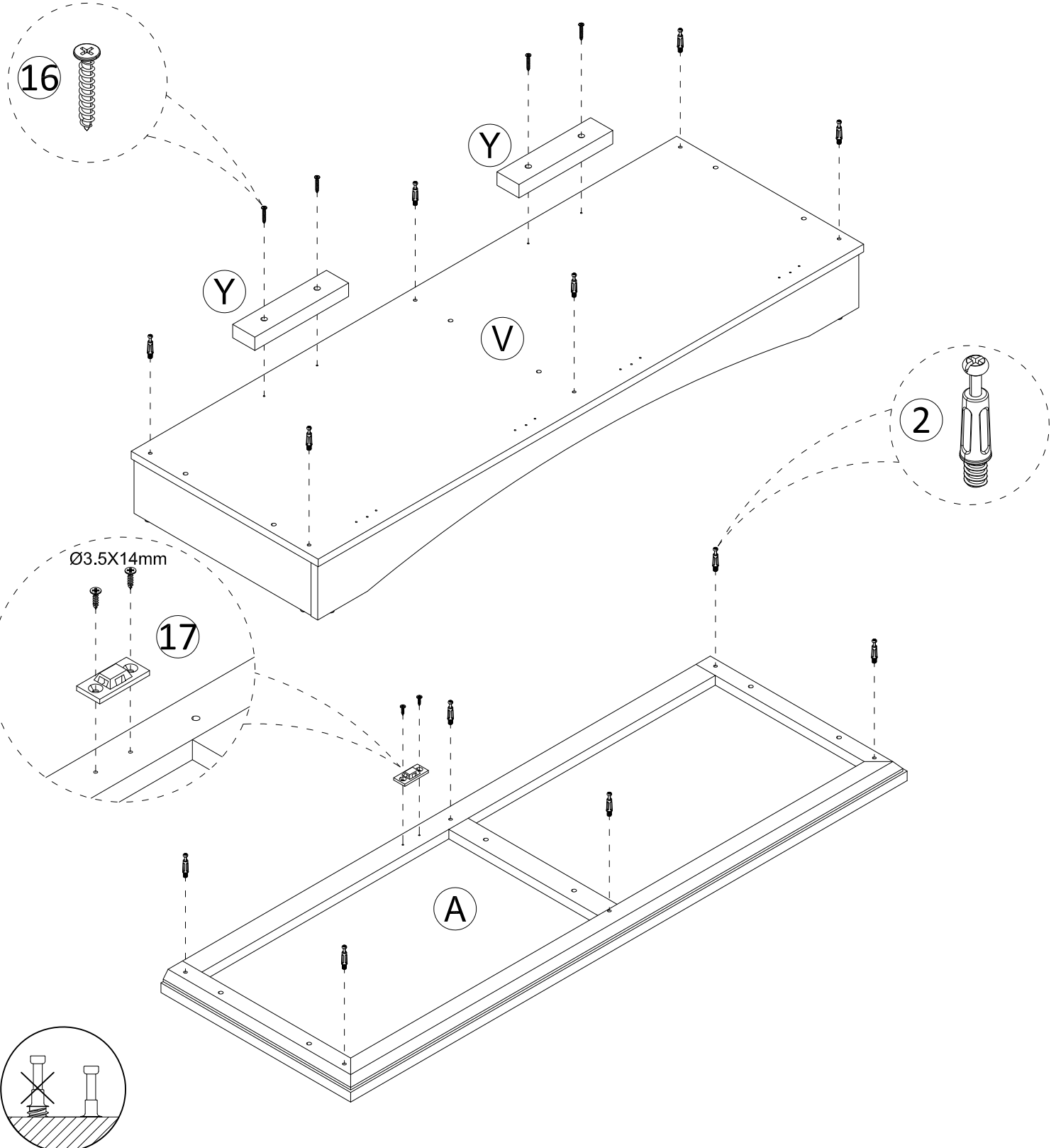
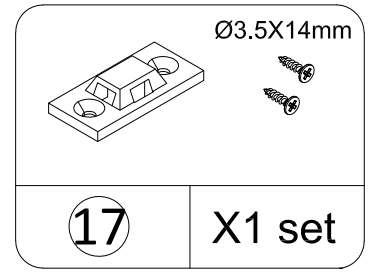
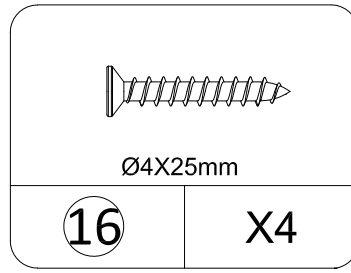
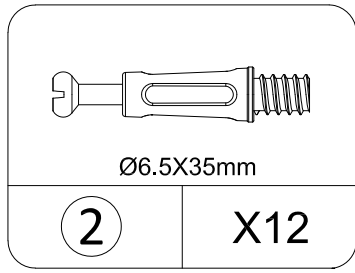
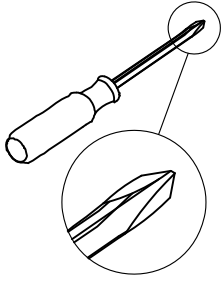
Proper orientation of CAM LOCK

STEP 6

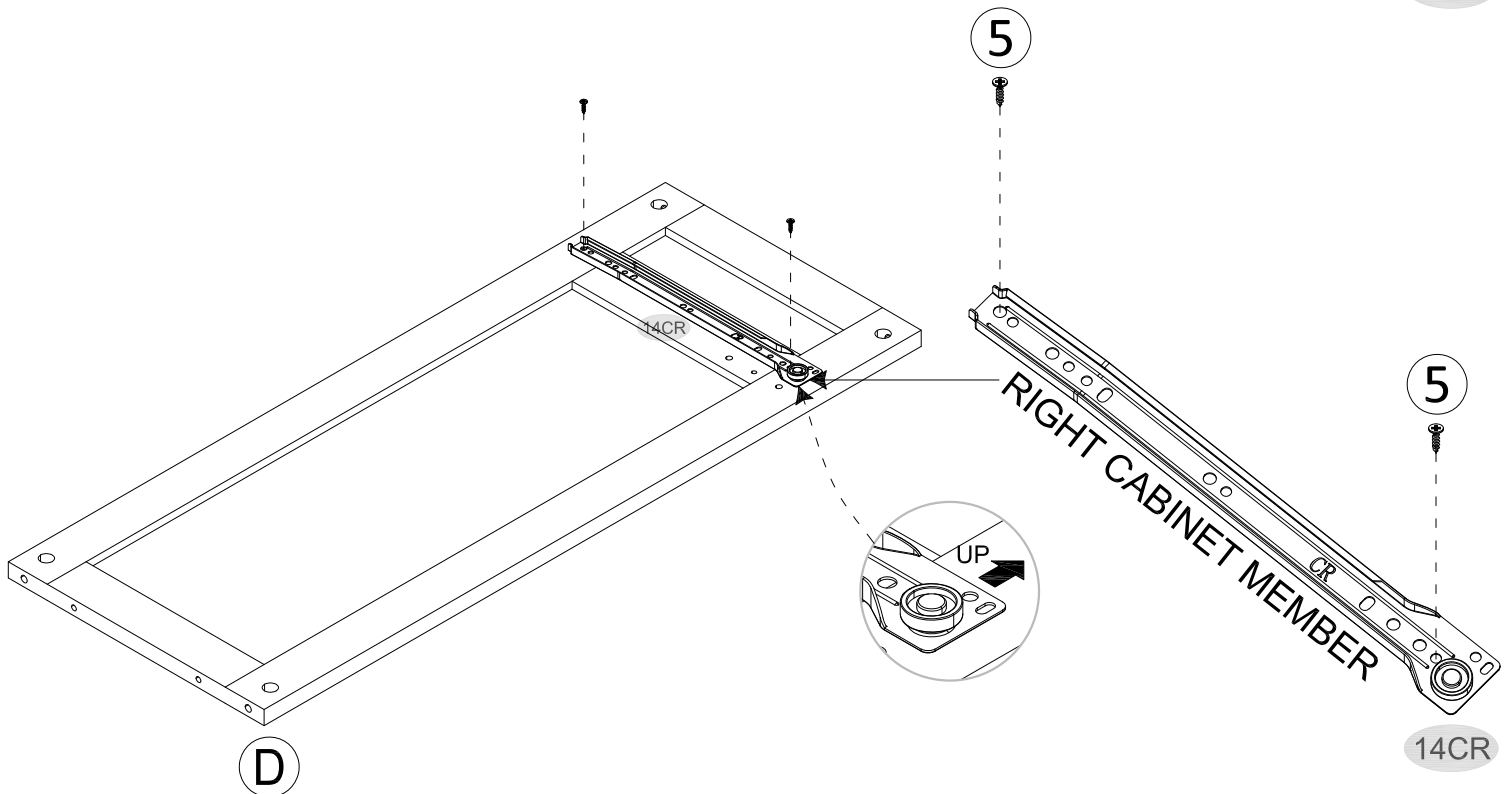
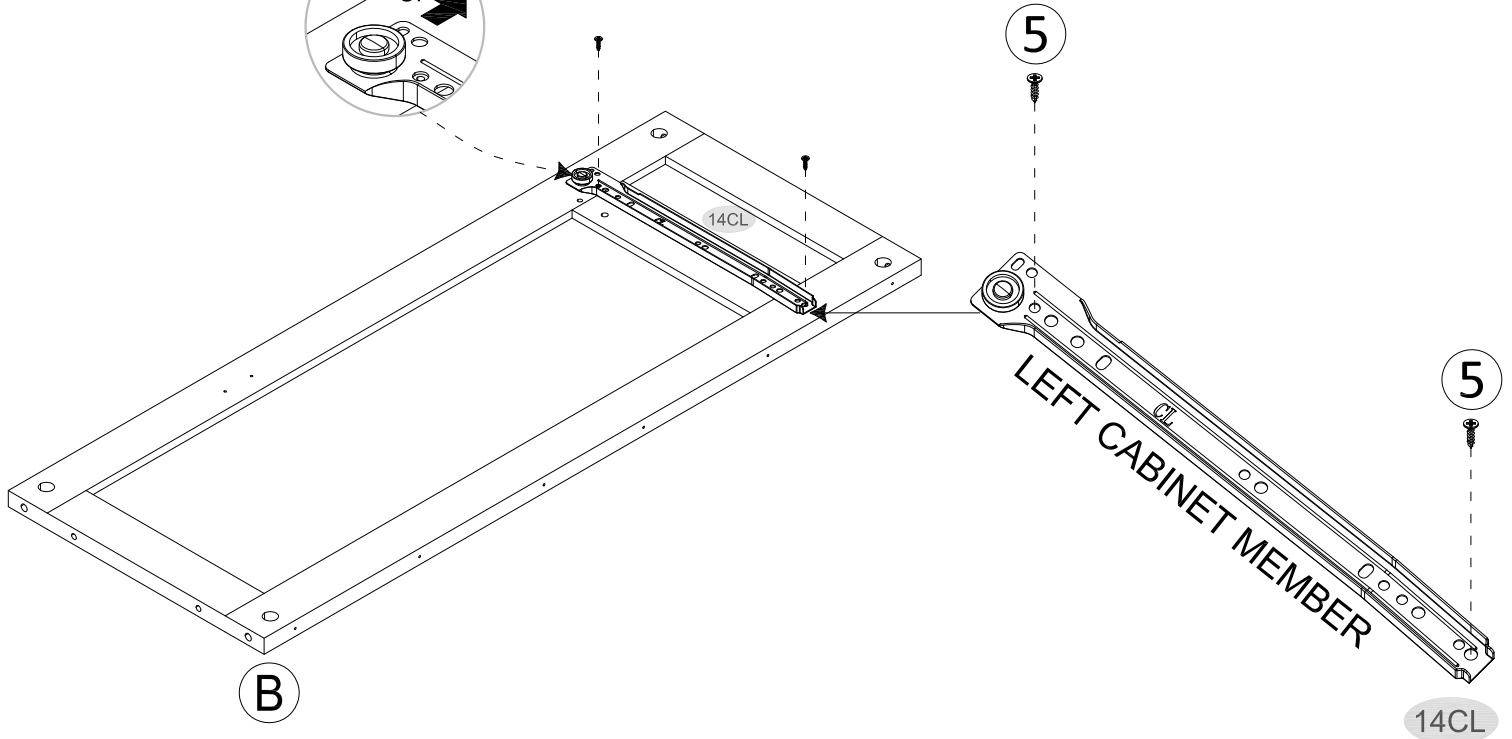
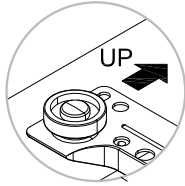
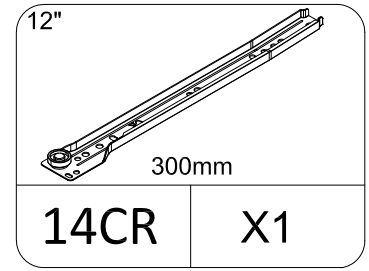
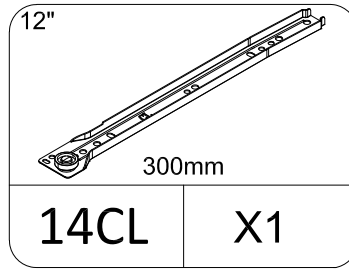
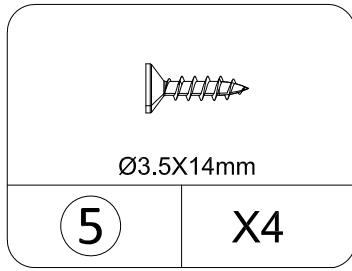
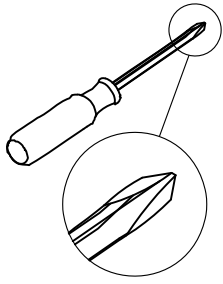


Proper orientation of CAM LOCK

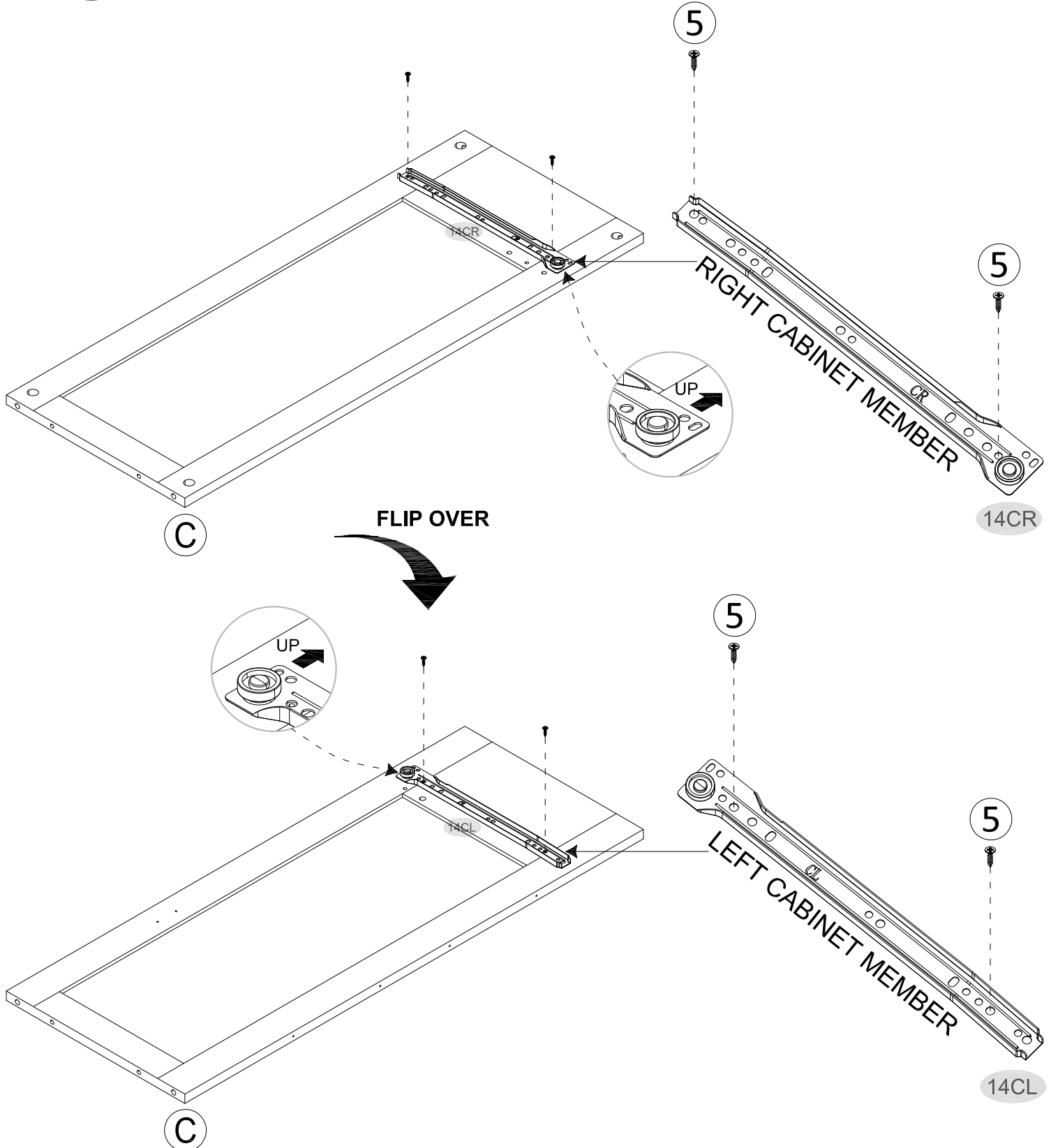
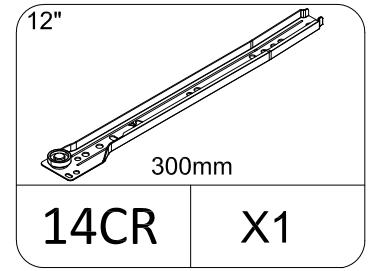
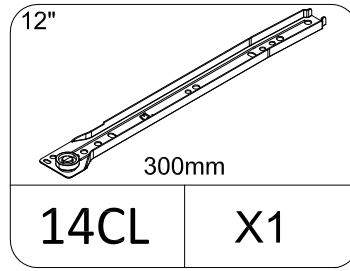
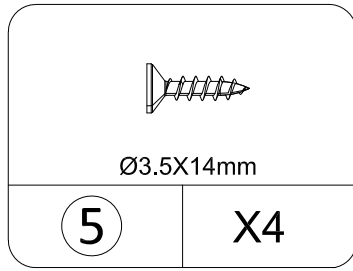
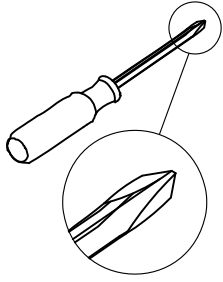
STEP 7



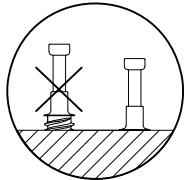
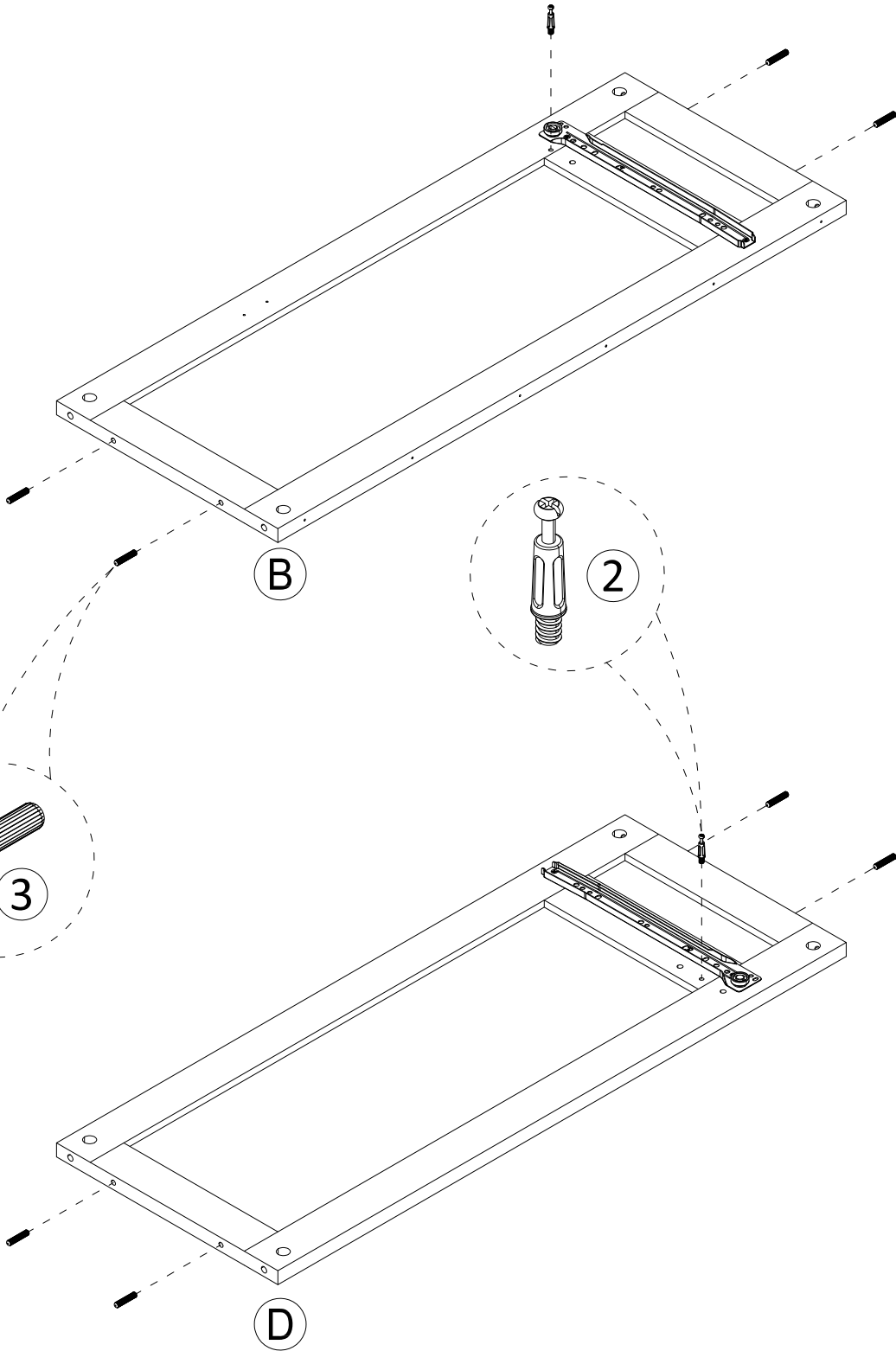
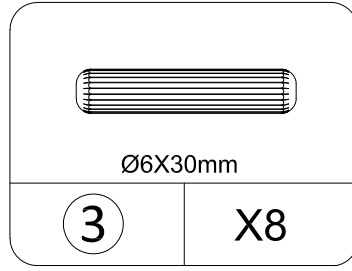
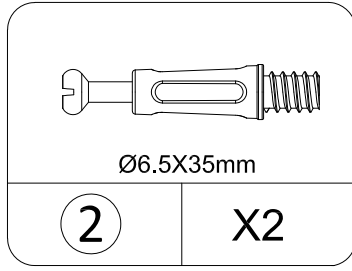
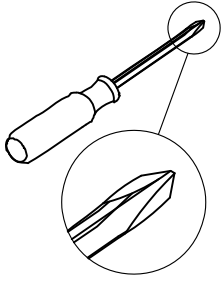
STEP 8



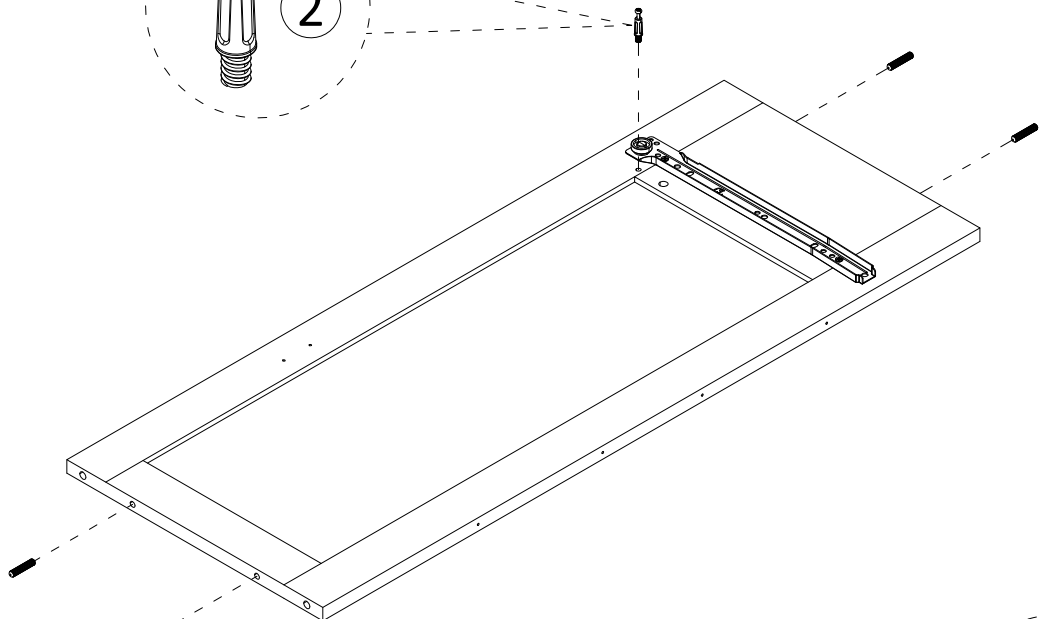
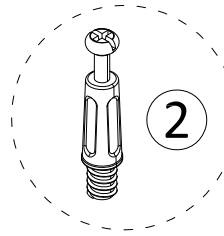
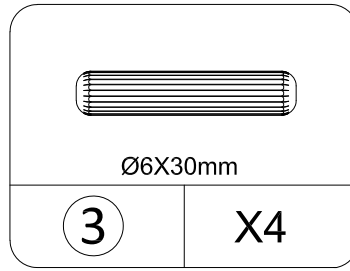
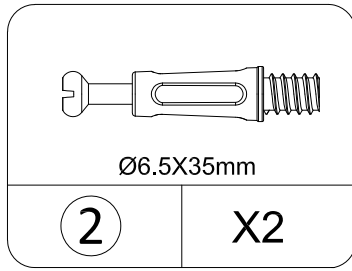
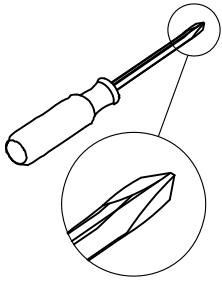
STEP 9



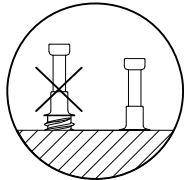
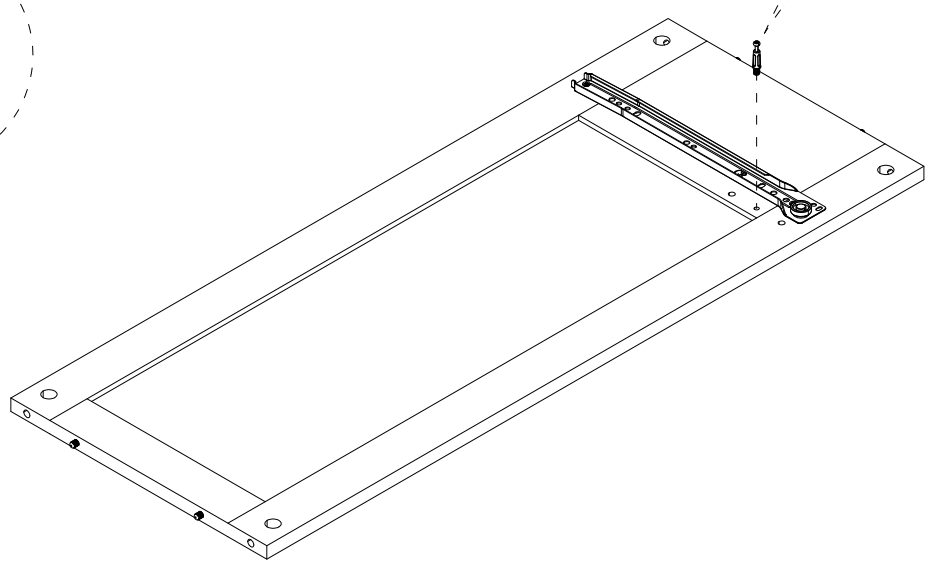
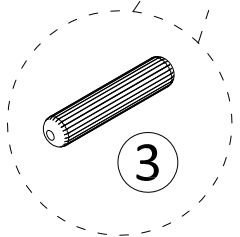
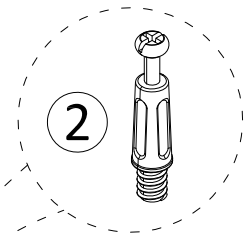
STEP 10



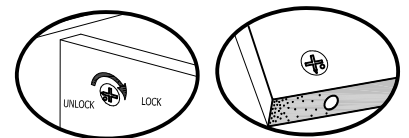
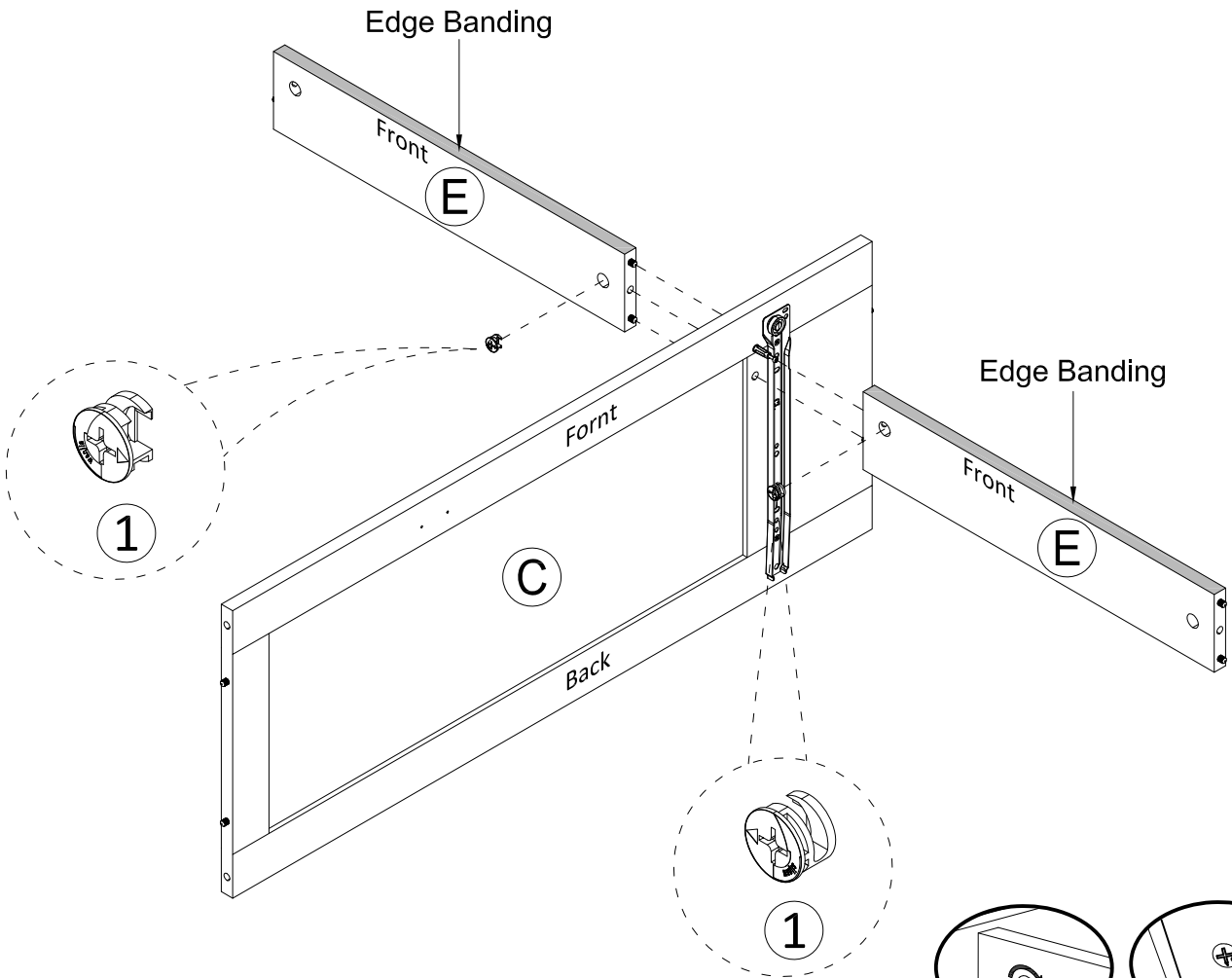
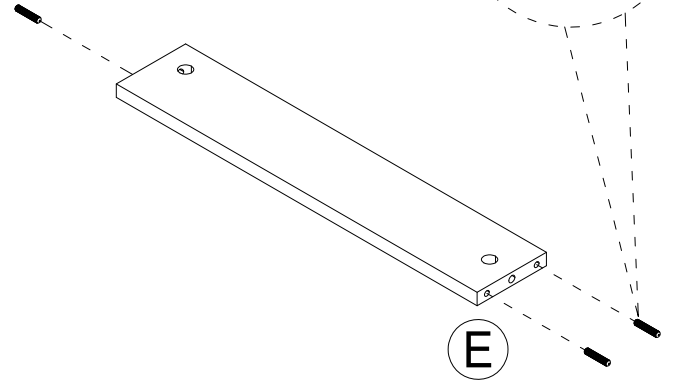
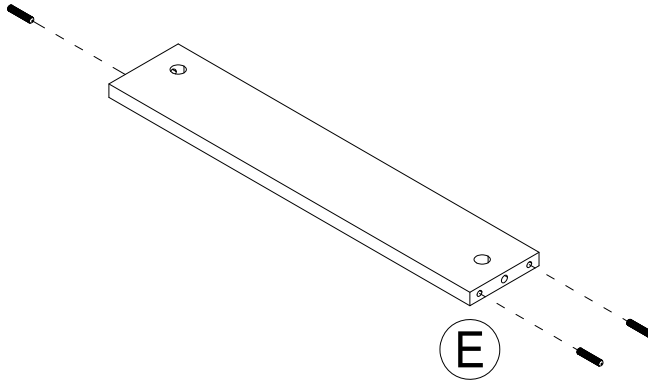
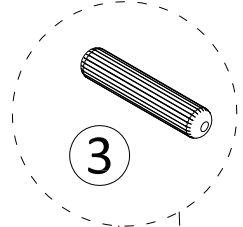
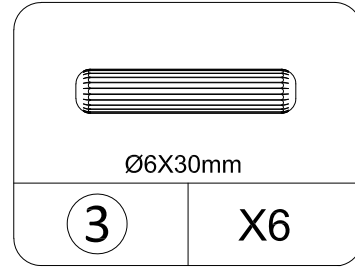
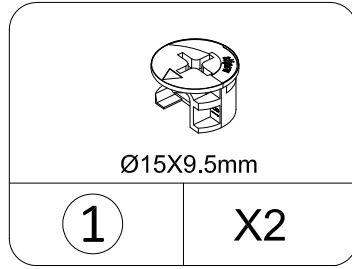
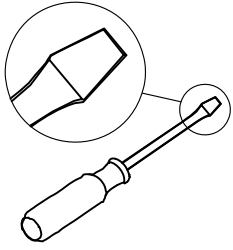
STEP 11



FLIP OVER

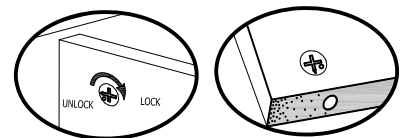
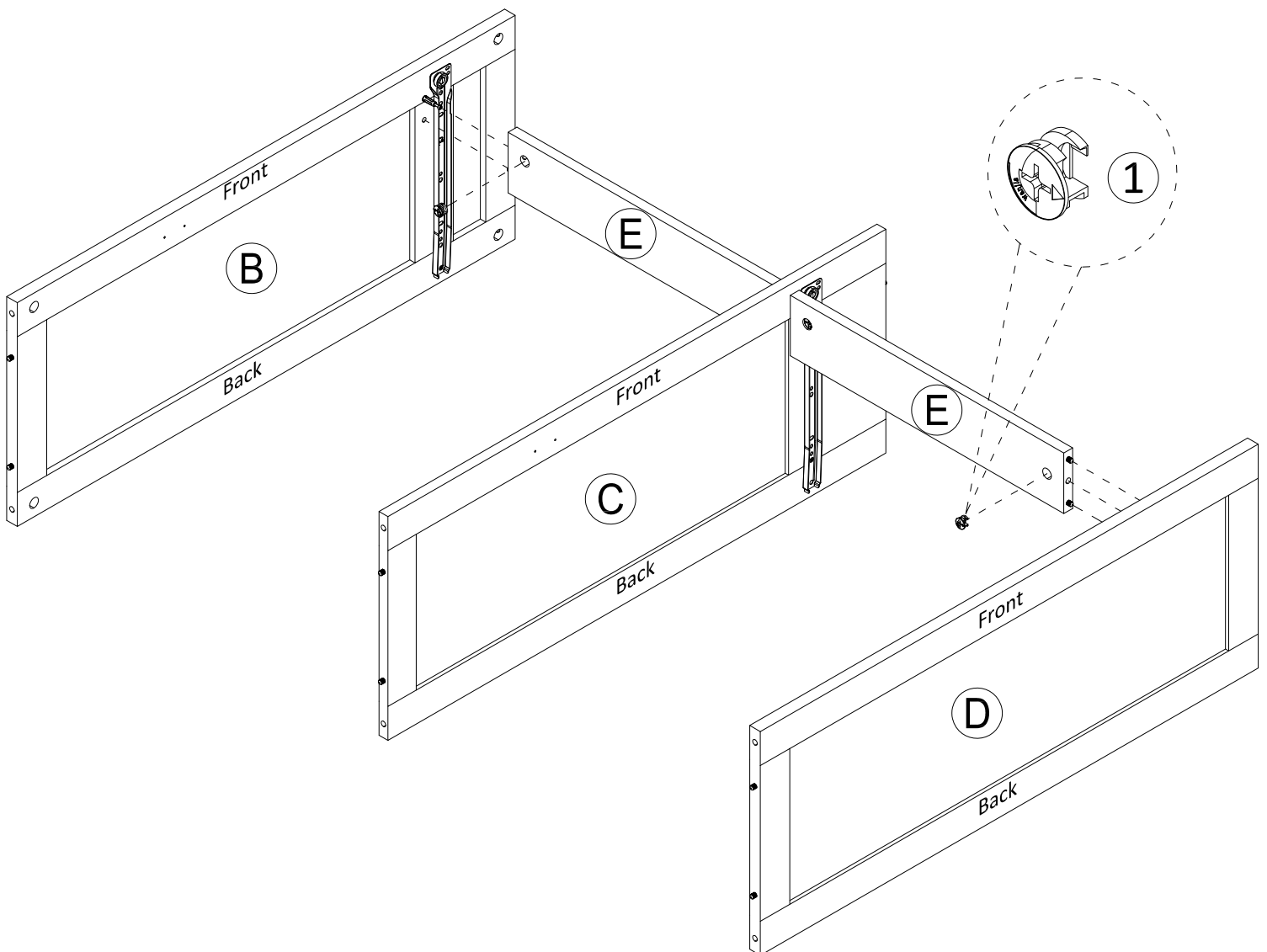
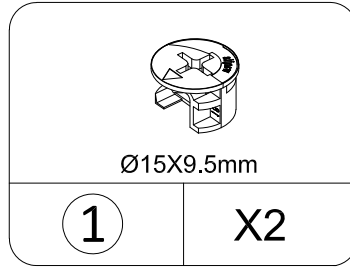
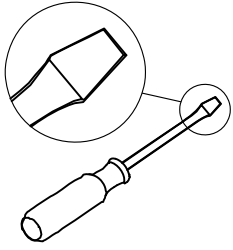


STEP12



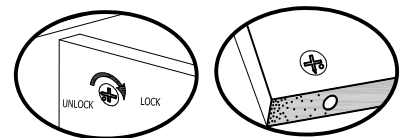
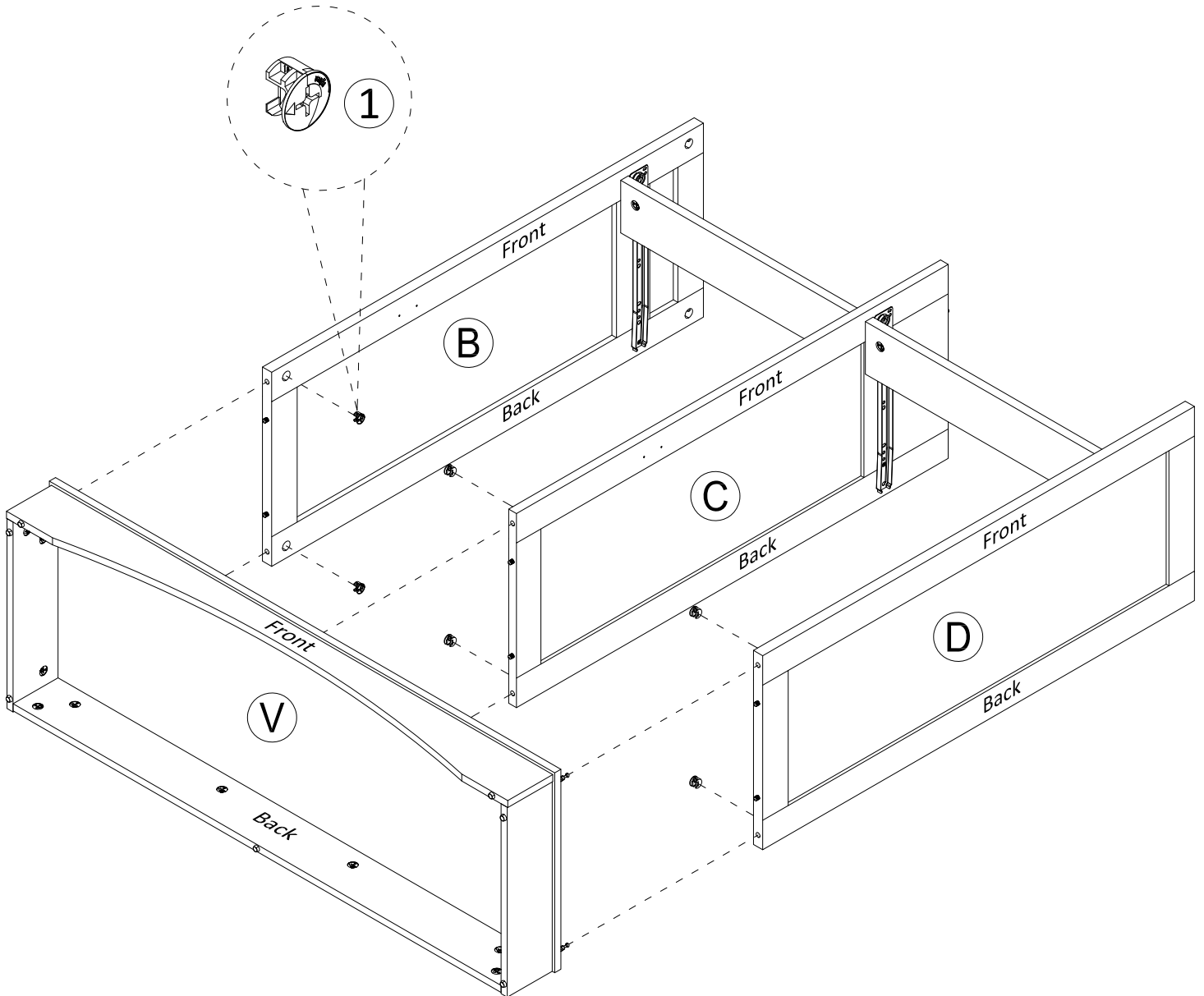
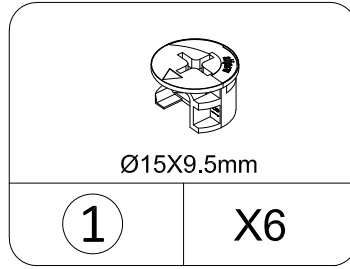
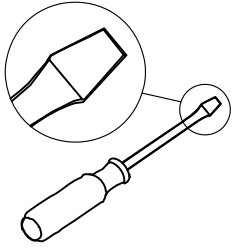
Proper orientation of CAM LOCK

STEP13



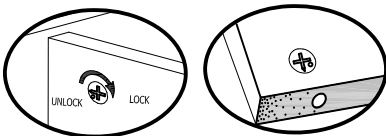
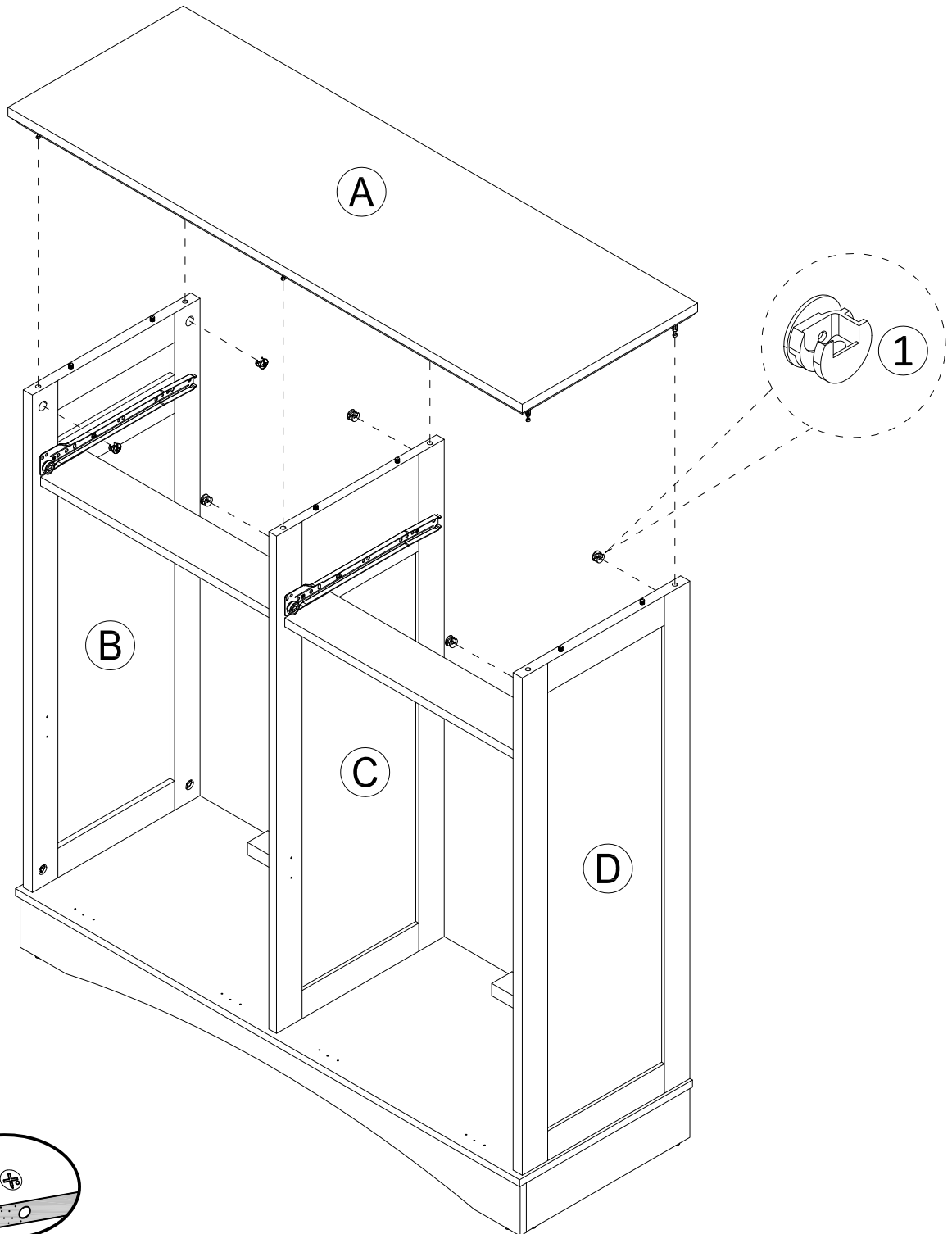
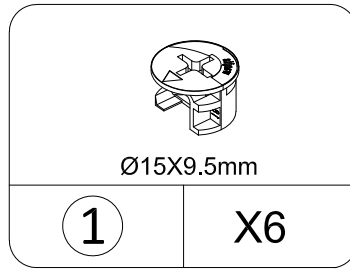
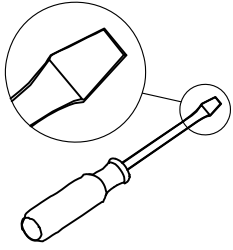
Proper orientation of CAM LOCK

STEP14



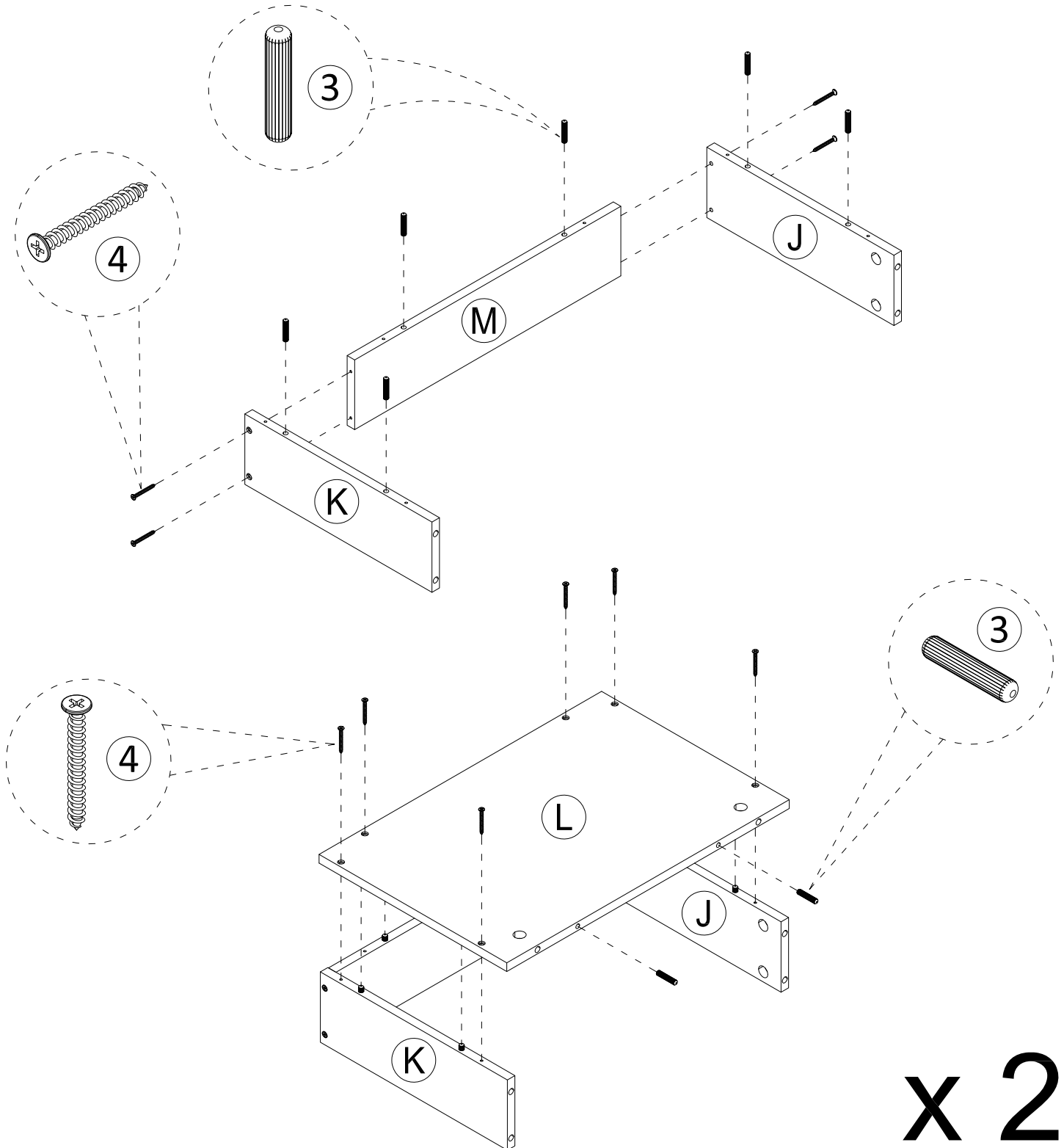
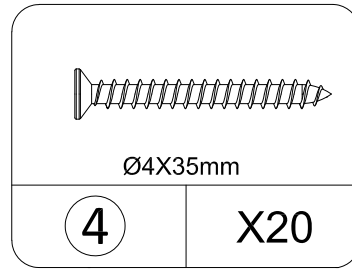
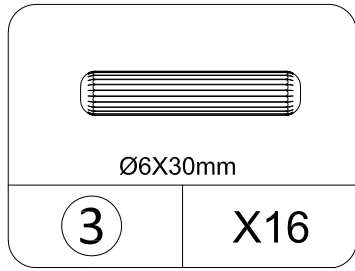
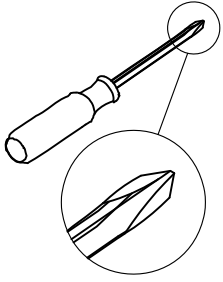
Proper orientation of CAM LOCK

STEP 15

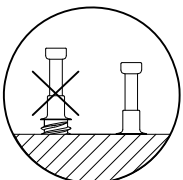
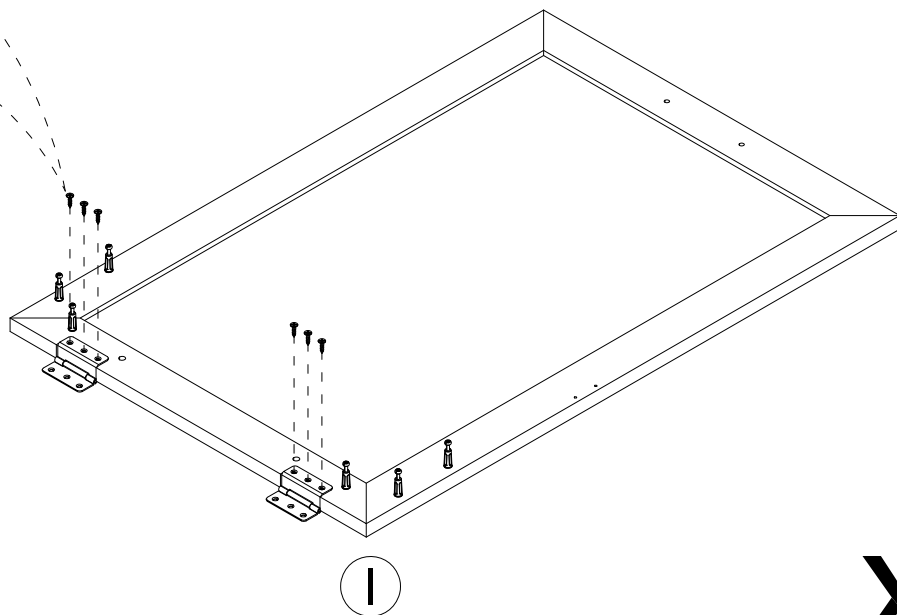
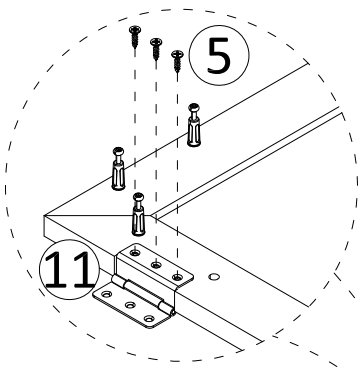
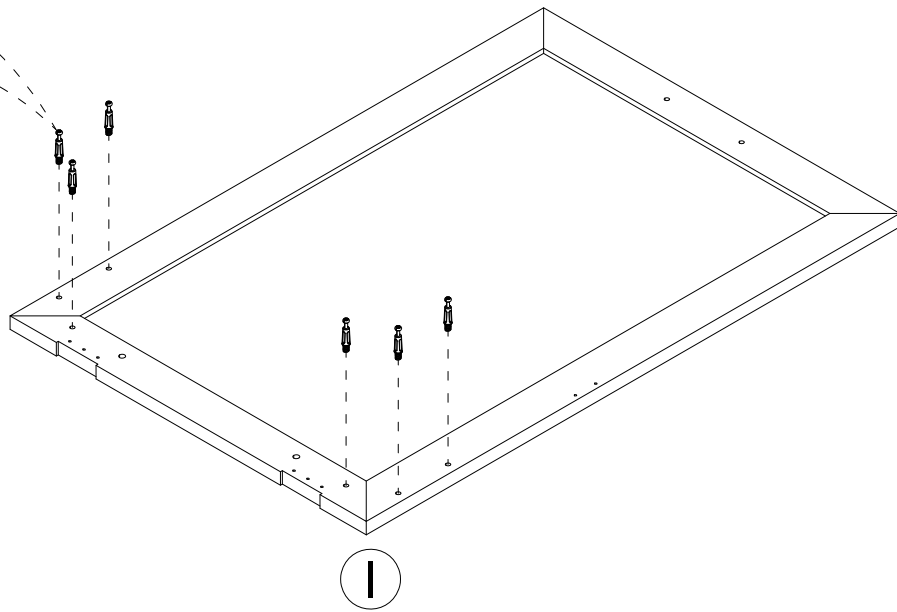
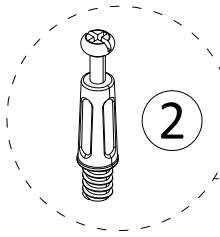
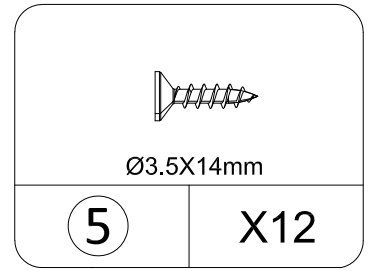
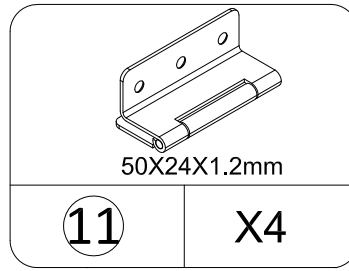
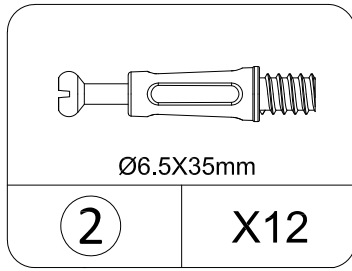
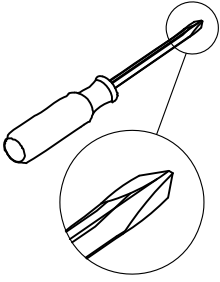


Proper orientation of CAM LOCK

STEP16

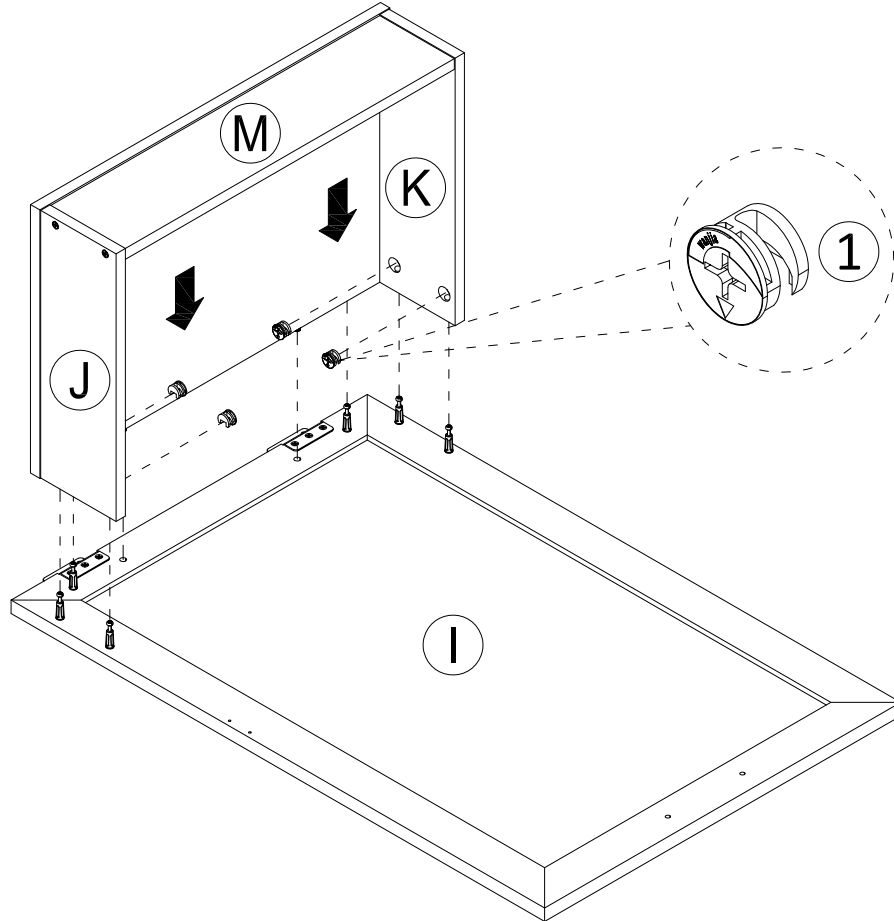
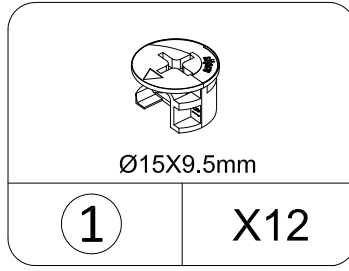
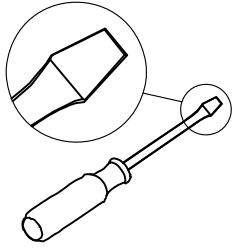


STEP 17

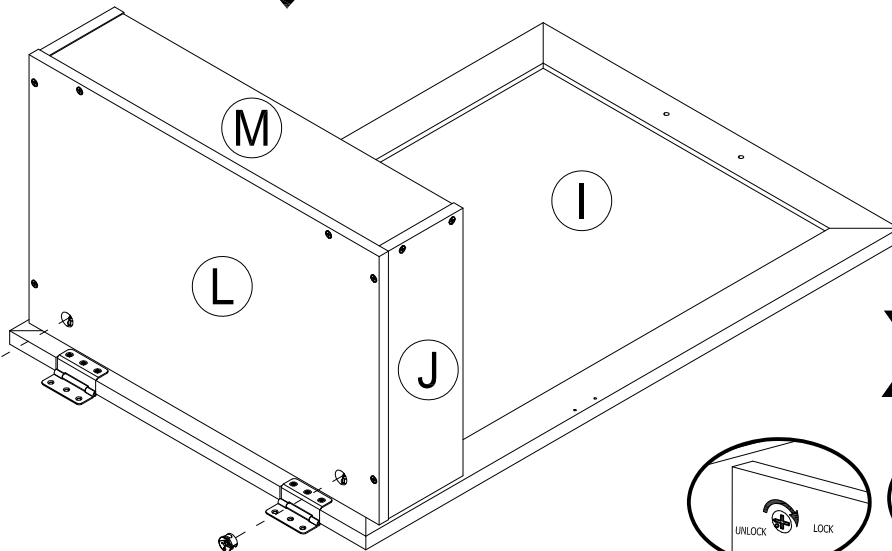
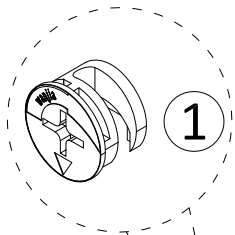


x 2

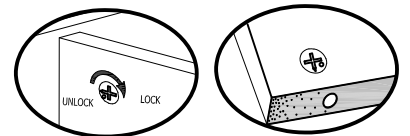
STEP18



FLIP OVER

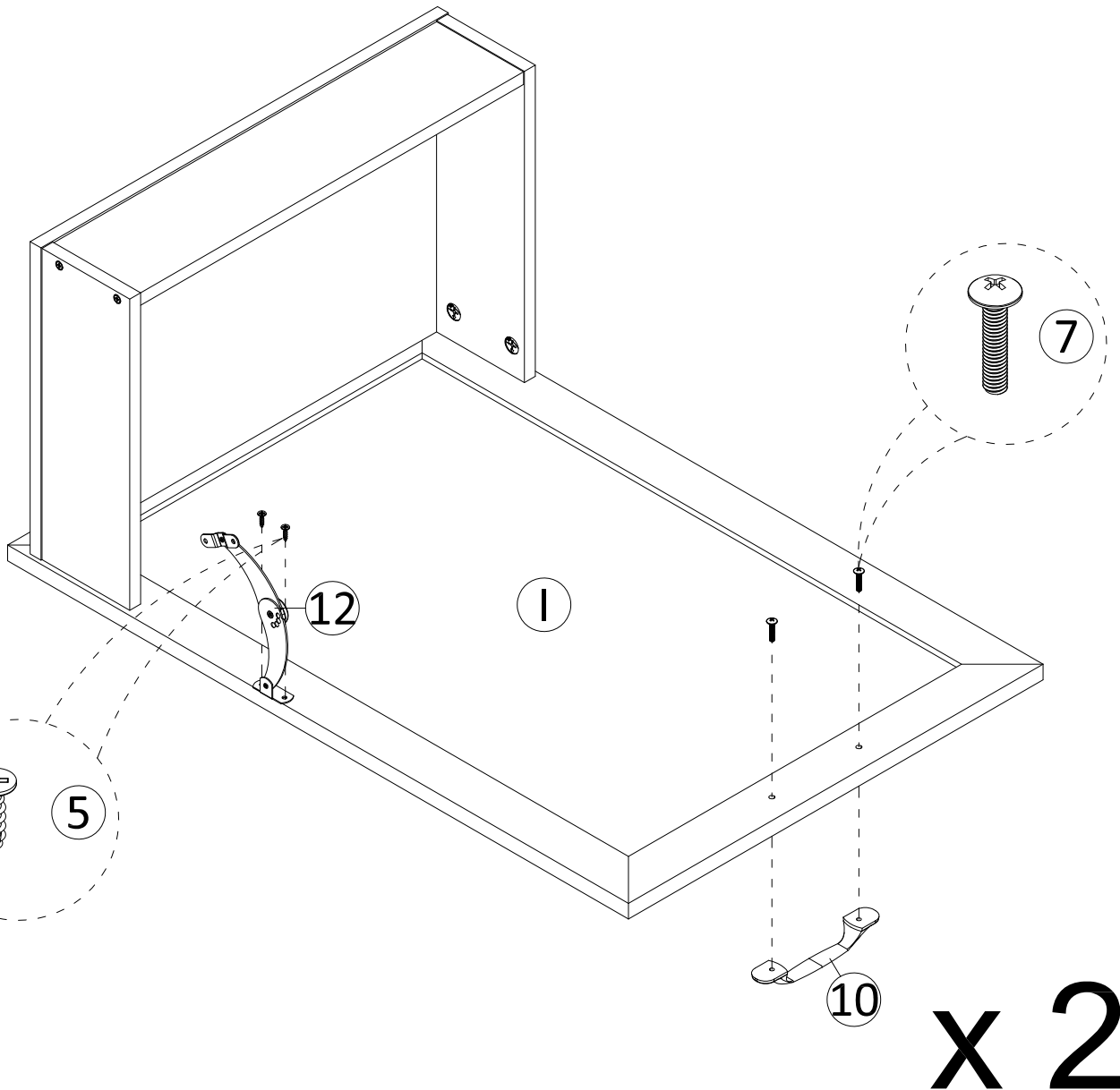
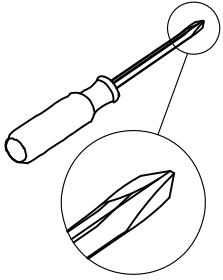
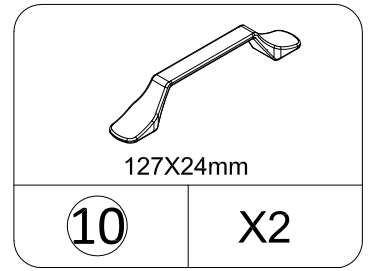
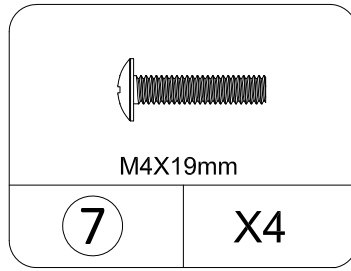
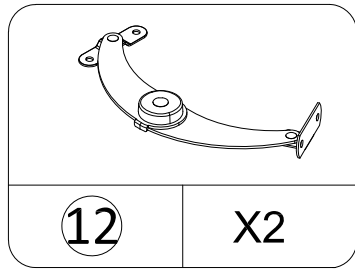
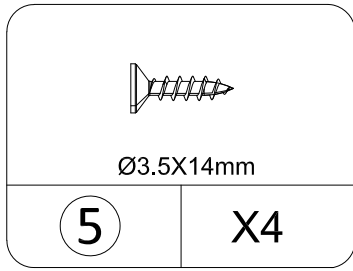


x 2

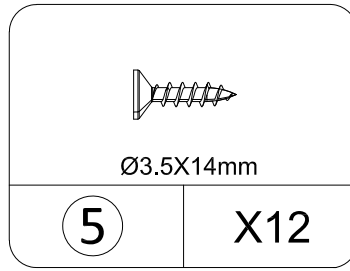
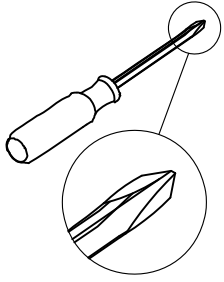


Proper orientation of CAM LOCK

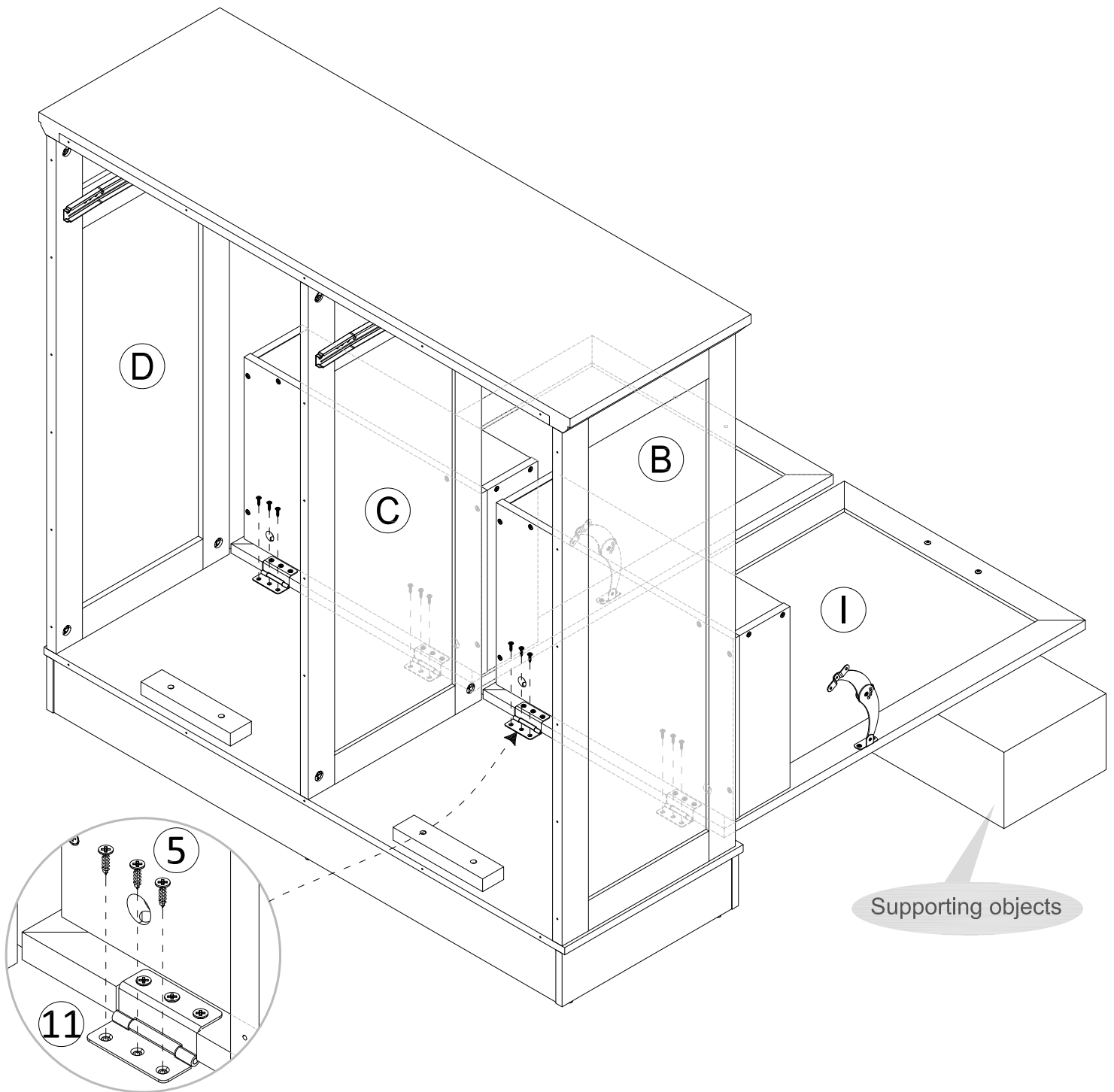
STEP 19



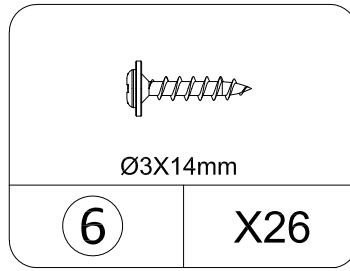
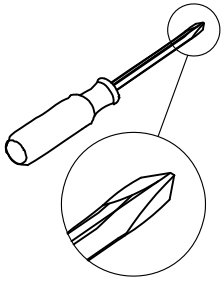
STEP 20



Find an object to pad under the door panel. Keeping the door panel level is more suitable for your installation.

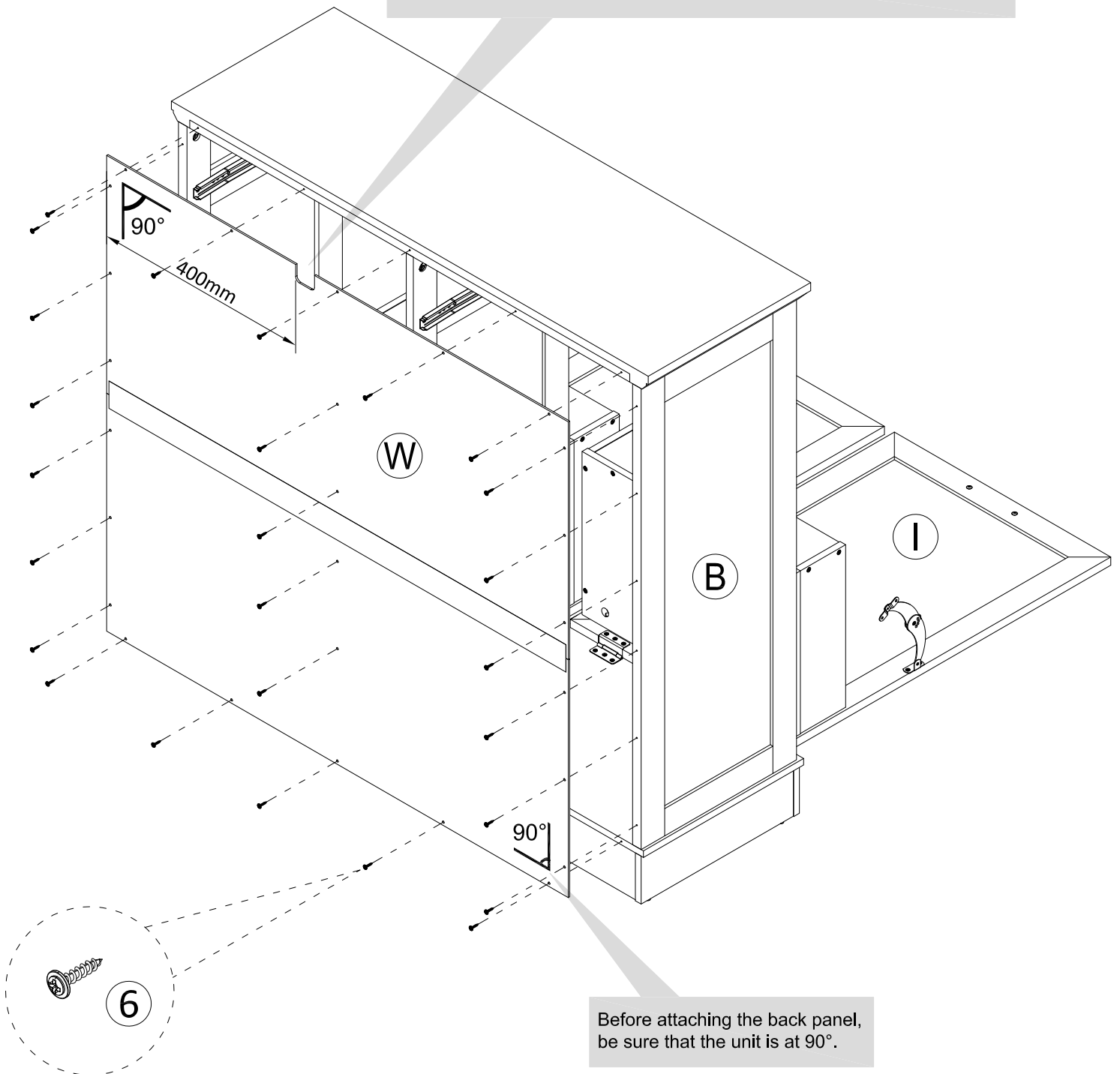


STEP 21

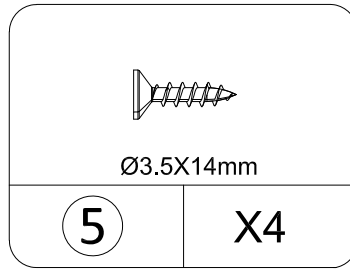
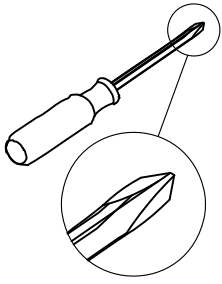


THIS STEP REQUIRES 2 PEOPLE

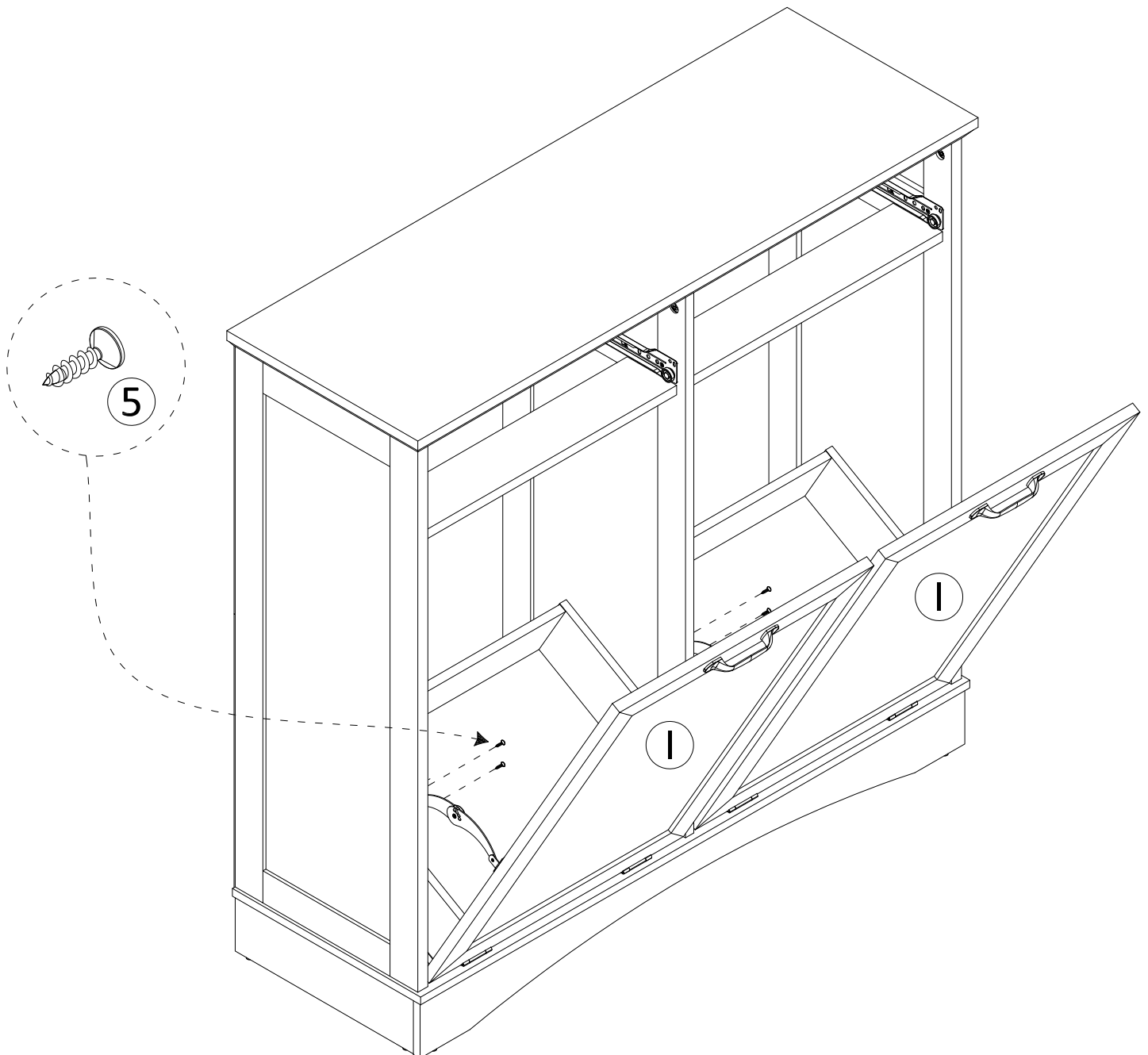
Note: The slot holes on the backplane (W) are 400mm away from the edge and facing the left side of the back of the cabinet, as shown in the figure.



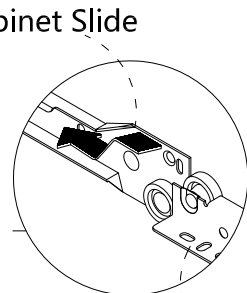
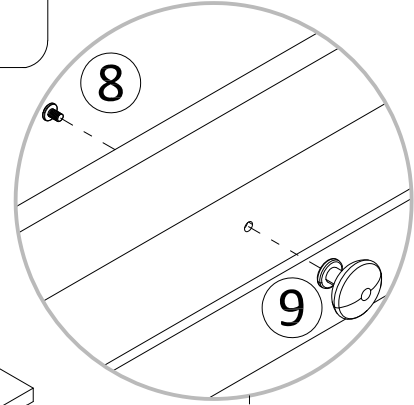
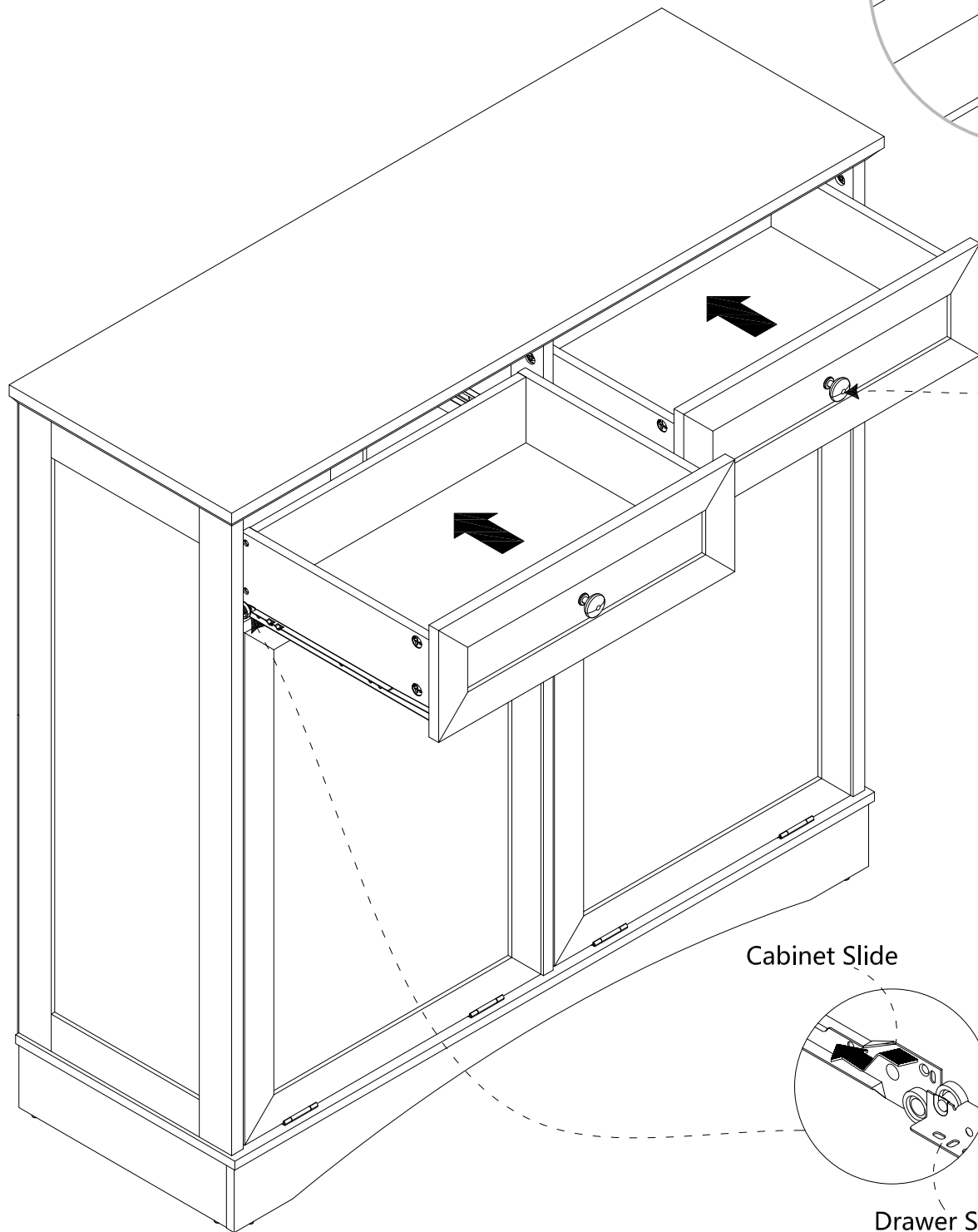
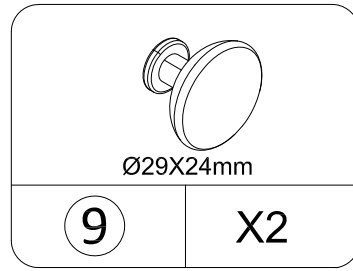
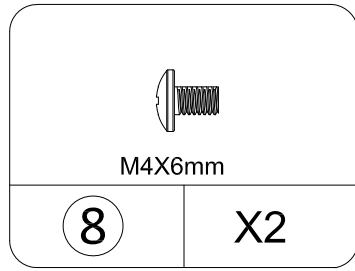
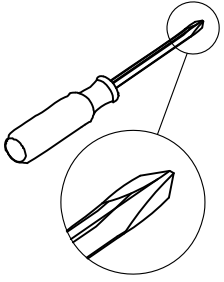
STEP 22



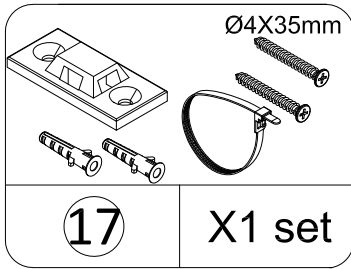
THIS STEP REQUIRES 2 PEOPLE



STEP 23



STEP24

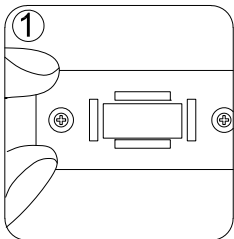


We have included a set of tipping restraint hardware for this unit. You must install this hardware to prevent accidents or injuries that can result from the unit falling. When properly installed, this restraint can provide protection against the unexpected tipping of the unit due to small tremors, bumps or climbing. We strongly recommend mounting this hardware to a wall stud and your unit.

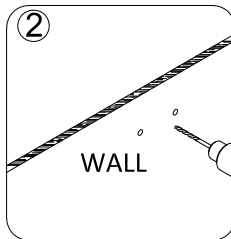
NOTE: The tipping restraint hardware included is for wooden stud wall construction. It must be attached to a wall stud. Depending upon your wall construction different anchor hardware may be required. Please contact your local hardware store for assistance. Young children can be seriously injured by tipping furniture. You must install the tipping restraint hardware with the unit to prevent the unit from tipping, causing any accidents or damage. The tipping restraints are intended only as a deterrent and are not a substitute for proper adult supervision. The tipping restraints are not earthquake restraints. If you wish to add the extra security of earthquake restraints, they must be purchased and installed separately.



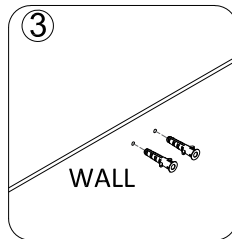
Install the tipping restraint hardware



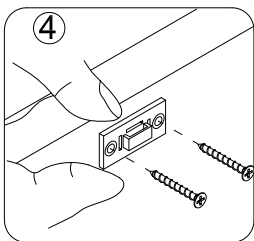
1. make mark on the wall



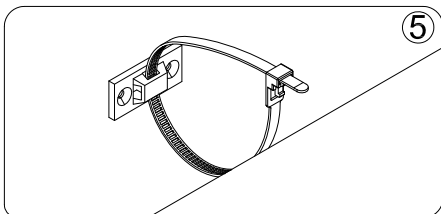
2. drill two Ø6 holes on the wall



3. put two anchors in the holes



4. fix the device on the wall by the long screws



5. Push the cabinet close to the wall so that the two bases are close to each other, and then put on nylon tie to tighten it.

