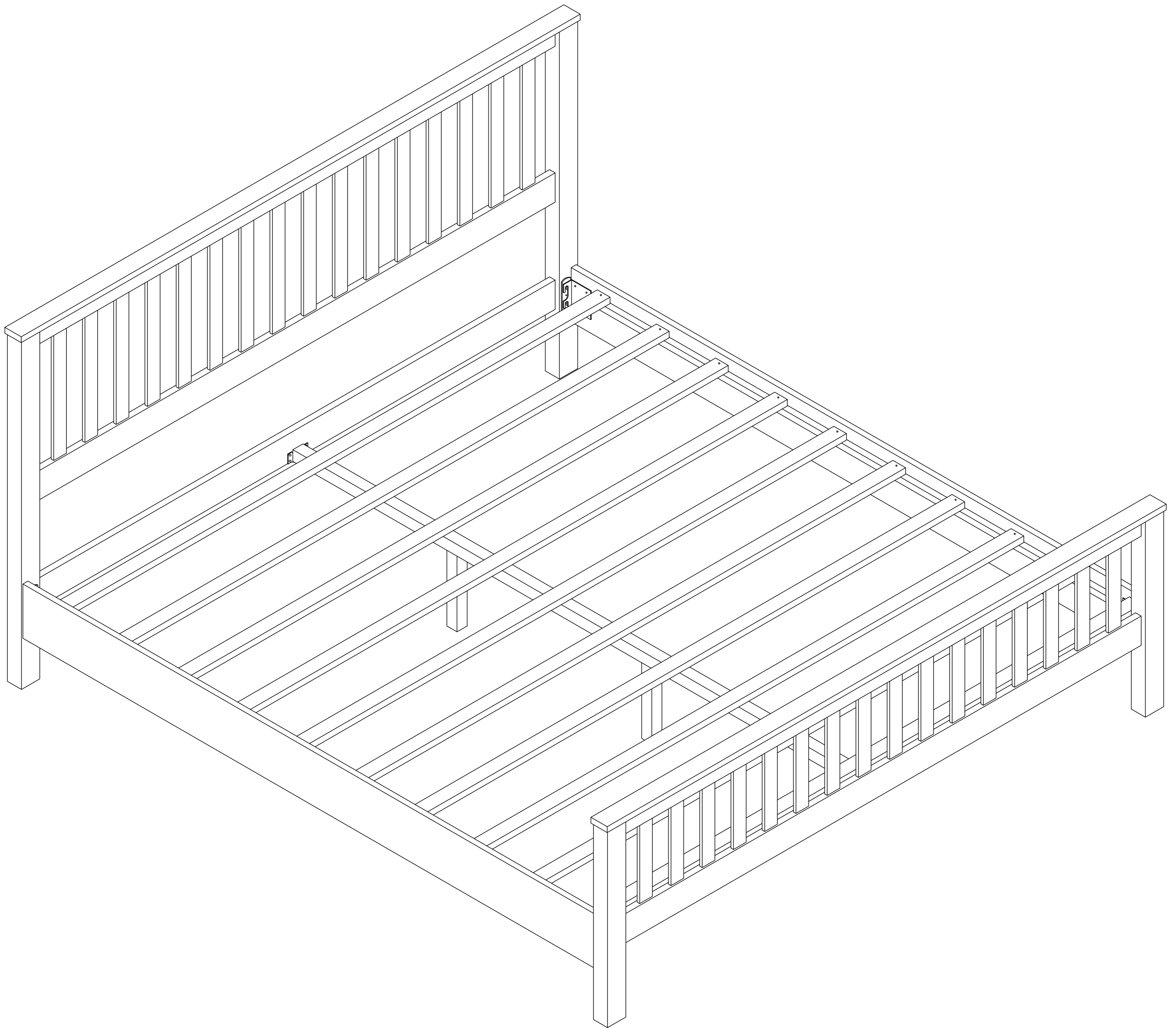


# ASSEMBLY INSTRUCTIONS

**Item No : WF294588AAG**

**Description : KING BED**

Thank you for purchasing this quality product. Be sure to check all packing material carefully for small part that may have come loose inside carton during shipment.



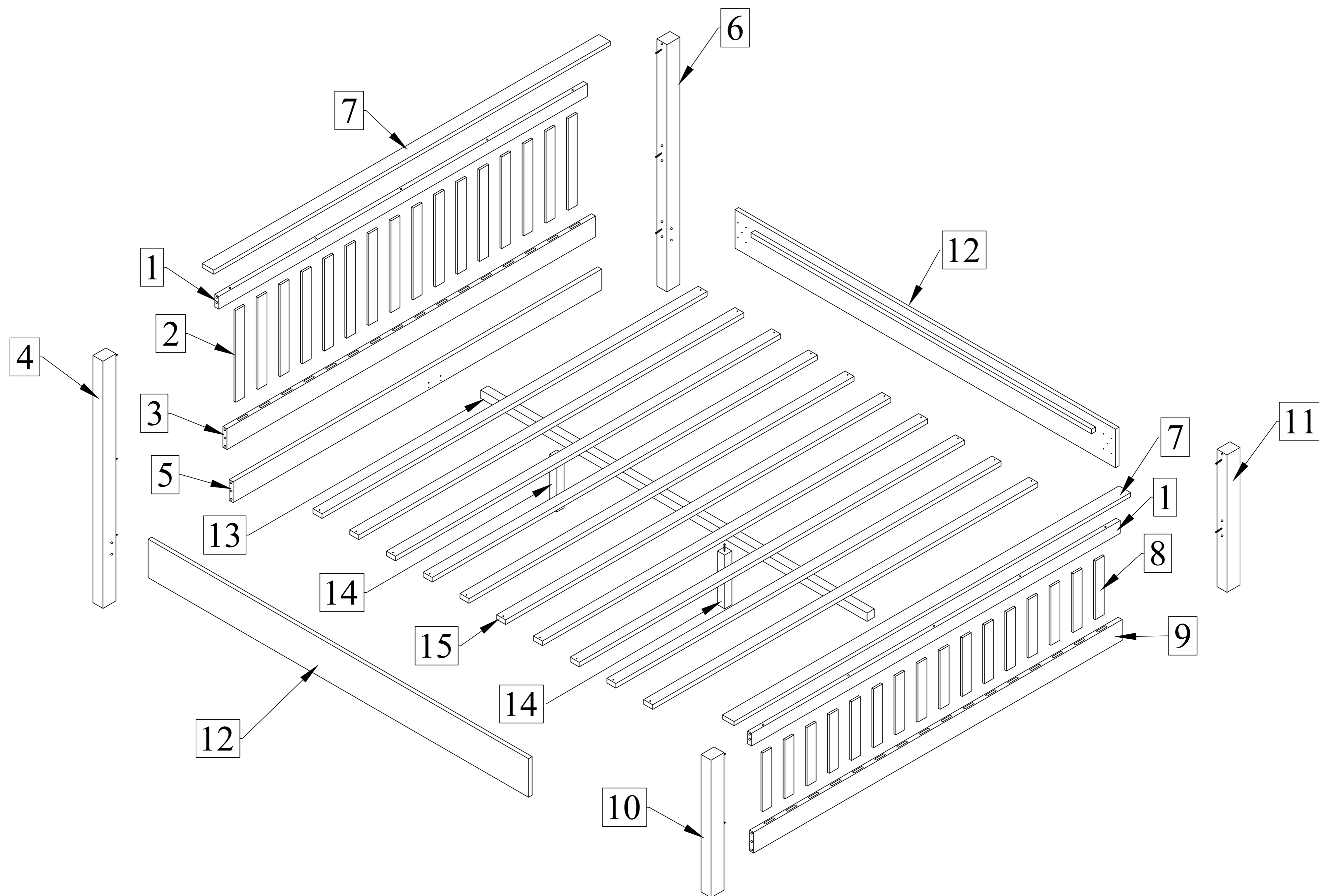
**WF294588AAG**

# ASSEMBLY INSTRUCTIONS

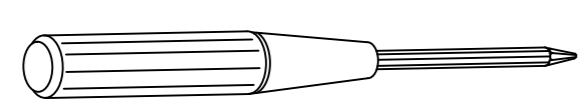
Item No : WF294588AAG

Description : KING BED

Thank you for purchasing this quality product. Be sure to check all packing material carefully for small part that may have come loose inside carton during shipment.



### TOOLS REQUIRED (Not provided)



Screwdriver

### Hardware List

No.	Description	Sketch	Quantity
A	Wood Dowel M8x30MM		16PCS
B	U Bracket		2PCS
C	Screw M3.5 x 16MM		44PCS
D	Minifix + Cap		10SETS
E	Iron Plate		4PCS
F	Bed Bracket - 2L2R		4PCS
G	Hex Nut		10PCS
H	Spring Washer		10PCS
I	Spanner		1PC
J	Bolt		8PCS
K	Allen Key M5		1PC
L	Screw M4 x 32MM		20PCS

### Part List

No.	Description	Sketch	Quantity
1	Upper Slats Support		2PCS
2	HB Slats		16PCS
3	Lower Slats Support - HB		1PC
4	HB Pillar - L		1PC
5	HB Support Rail		1PC
6	HB Pillar - R		1PC
7	Top Panel		2PCS
8	FB Slats		16PCS
9	Lower Slats Support - FB		1PC
10	FB Pillar - L		1PC
11	FB Pillar - R		1PC
12	Bed Side Rail		2PCS
13	Center Support Rail		1PC
14	Center Support Leg		2PCS
15	Bed Slats		10PCS

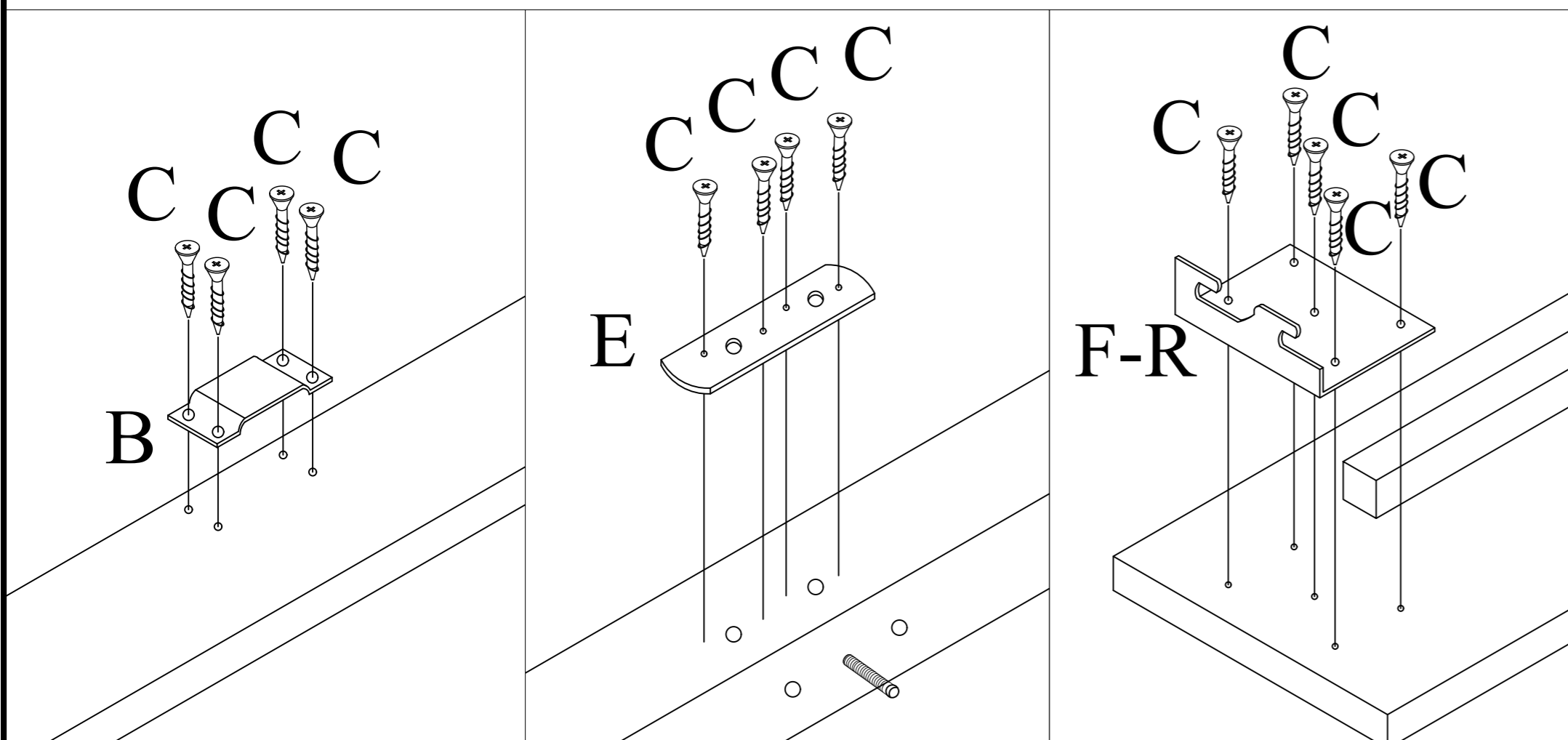
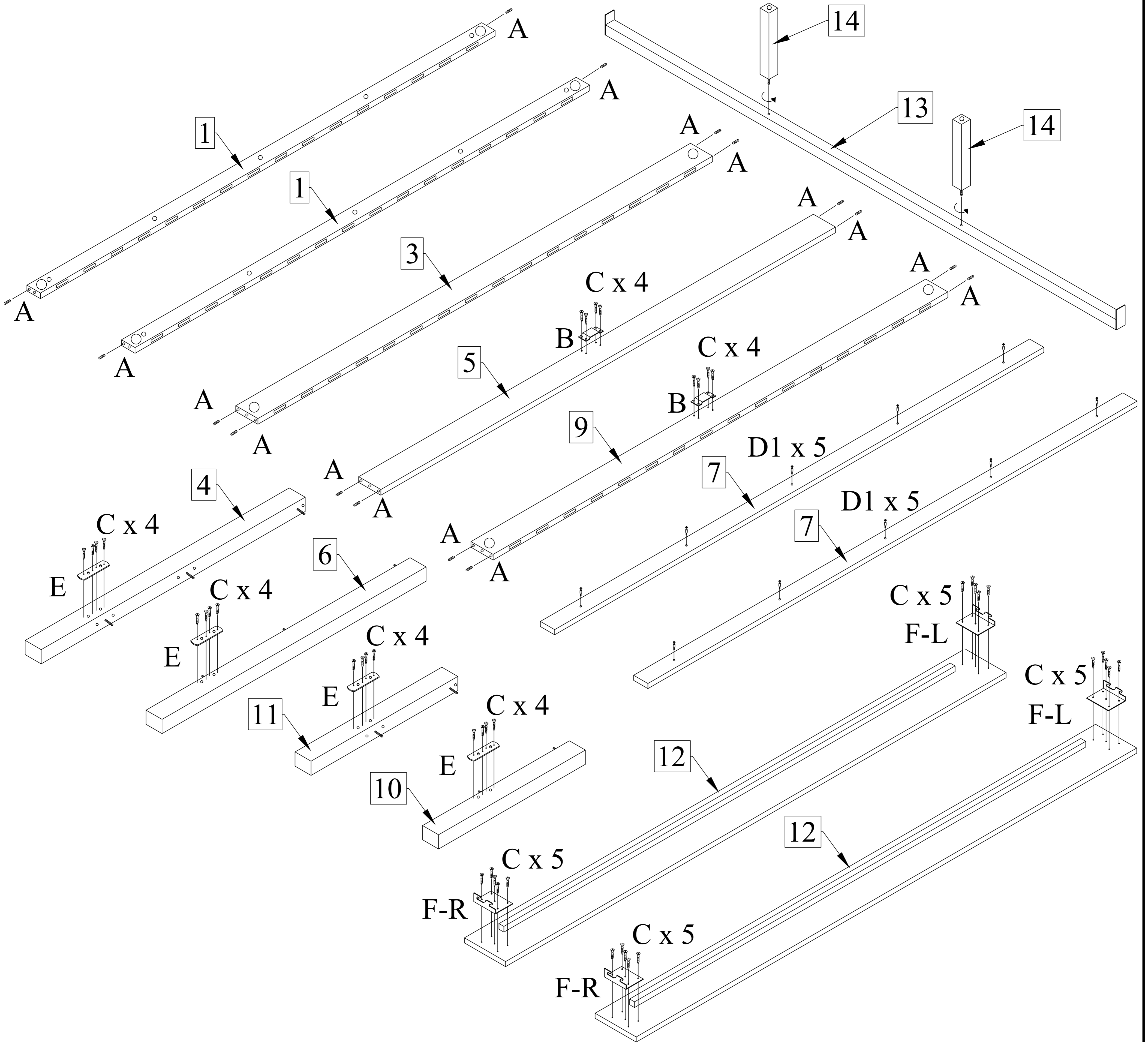
# ASSEMBLY INSTRUCTIONS

Item No : WF294588AAG

Description : KING BED

Thank you for purchasing this quality product. Be sure to check all packing material carefully for small part that may have come loose inside carton during shipment.

Step 1 : Attach Wood Dowel M8 x 30MM (A) to Upper Slats Support (1), Lower Slats Support - HB (3), HB Support Rail (5) and Lower Slats Support - FB (9). Attach U Bracket (B), Iron Plate (E), and Bed Bracket (F) to parts (4,5,6,9,10,11,12) accordingly using Screw M3.5 x 16MM (C). Attach Minifix (D) to Top Panel (7).



A	Wood Dowel M8x30MM		16PCS
B	U Bracket		2PCS
C	Screw M3.5x16MM		44PCS
D	Minifix	D1	10PCS
E	Iron Plate		4PCS
F	Bed Bracket - 2L2R	FL  FR	4PCS

# ASSEMBLY INSTRUCTIONS

Item No : WF294588AAG

Description : KING BED

Thank you for purchasing this quality product. Be sure to check all packing material carefully for small part that may have come loose inside carton during shipment.

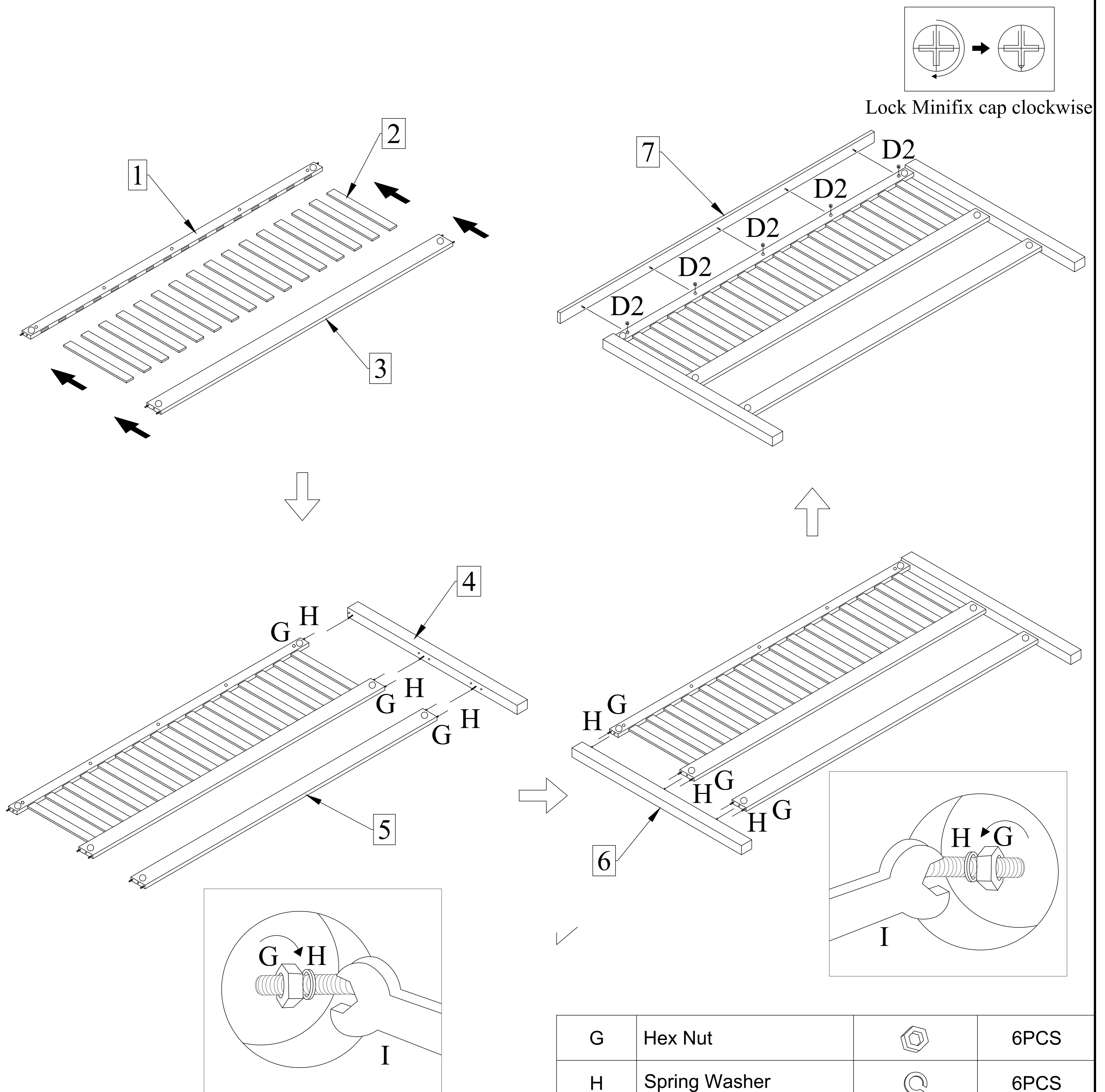
## Step 2 :Headboard (HB) assembly.



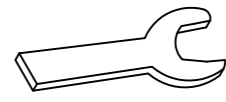

First slot in HB slats (2) to Upper Slats Support (1), then slot the Lower Slats Support - HB (3) in.

Attach the connected parts and HB Support Rail (5) to HB Pillar - L (4) and lock with Hex Nut (G) and Spring Washer (H) using Spanner (I) provided.

Attach the connected parts again to HB Pillar - R (6) and lock with Hex Nut (G) and Spring Washer (H) using Spanner (I) provided.

Finally, connect Top Panel (7) to the Headboard and lock with Minifix Cap (D2)



G	Hex Nut		6PCS
H	Spring Washer		6PCS
I	Spanner		1PC
D	Minifix Cap	D2 	5PCS

# ASSEMBLY INSTRUCTIONS

Item No : WF294588AAG

Description : KING BED

Thank you for purchasing this quality product. Be sure to check all packing material carefully for small part that may have come loose inside carton during shipment.

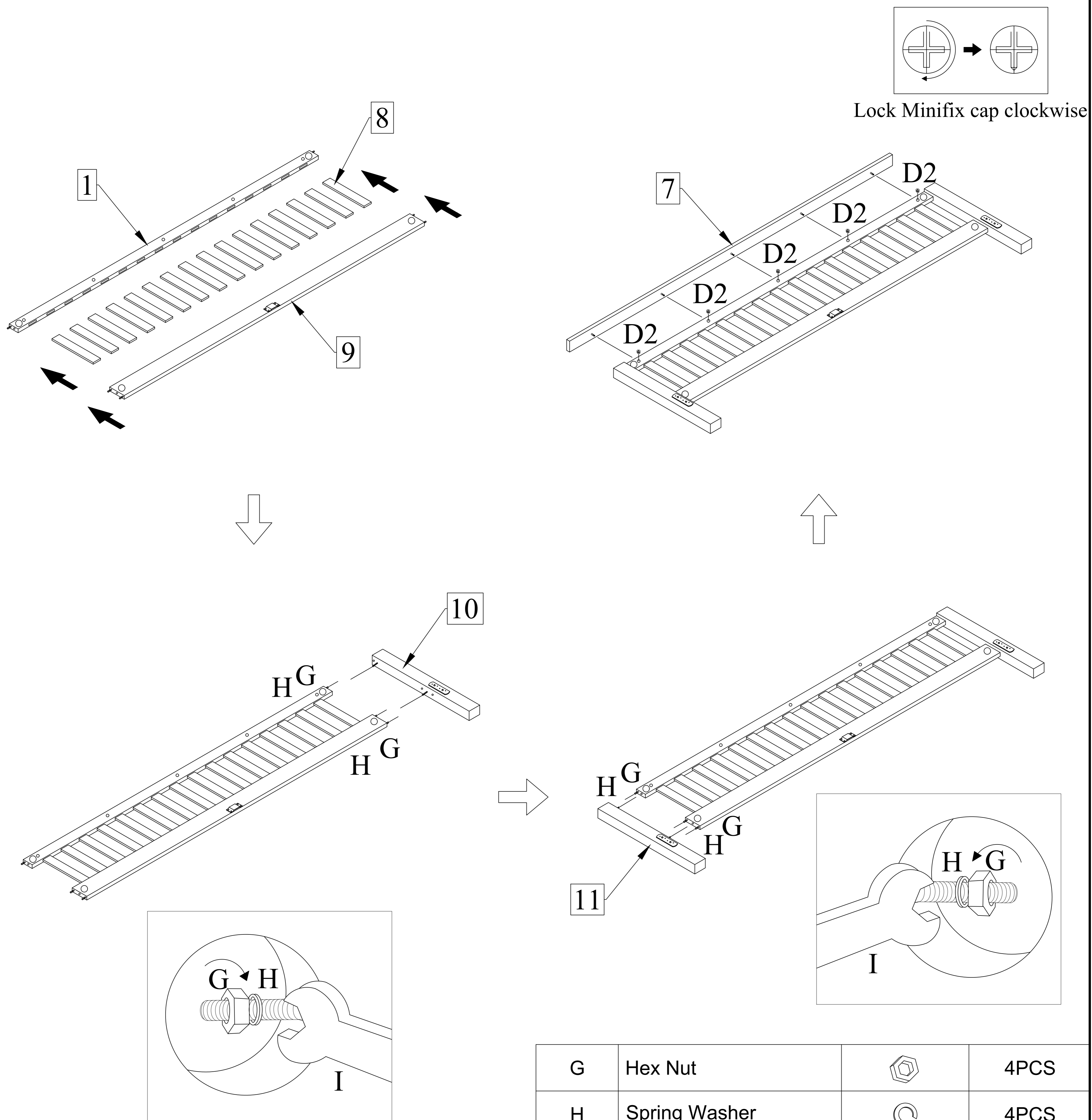
## Step 3 :Footboard (FB) assembly.



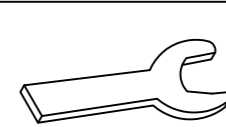

First slot in FB slats (8) to Upper Slats Support (1), then slot the Lower Slats Support - FB (9) in.

Attach the connected parts to FB Pillar - L (10) and lock with Hex Nut (G) and Spring Washer (H) using Spanner (I) provided.

Attach the connected parts again to FB Pillar - R (11) and lock with Hex Nut (G) and Spring Washer (H) using Spanner (I) provided.

Finally, connect Top Panel (7) to the Footboard and lock with Minifix Cap (D2)



G	Hex Nut		4PCS
H	Spring Washer		4PCS
I	Spanner		1PC
D	Minifix Cap	D2 	5PCS

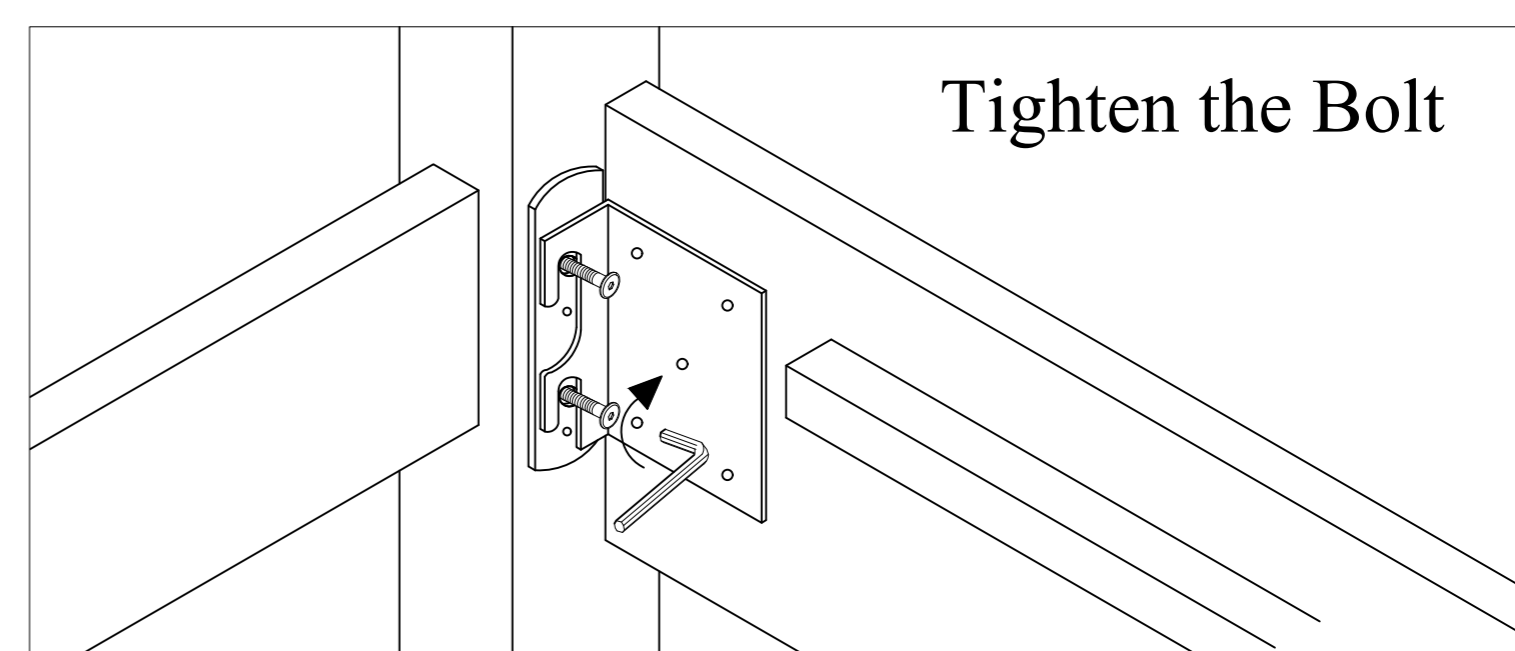
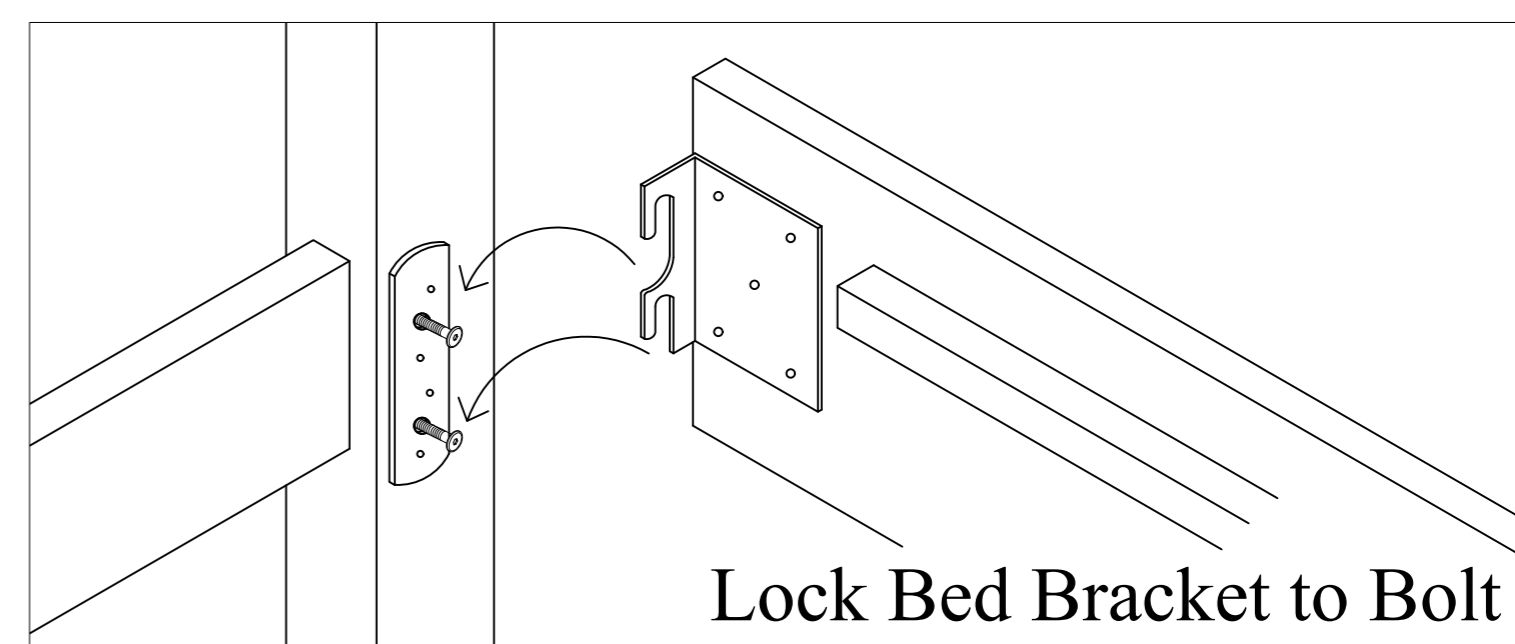
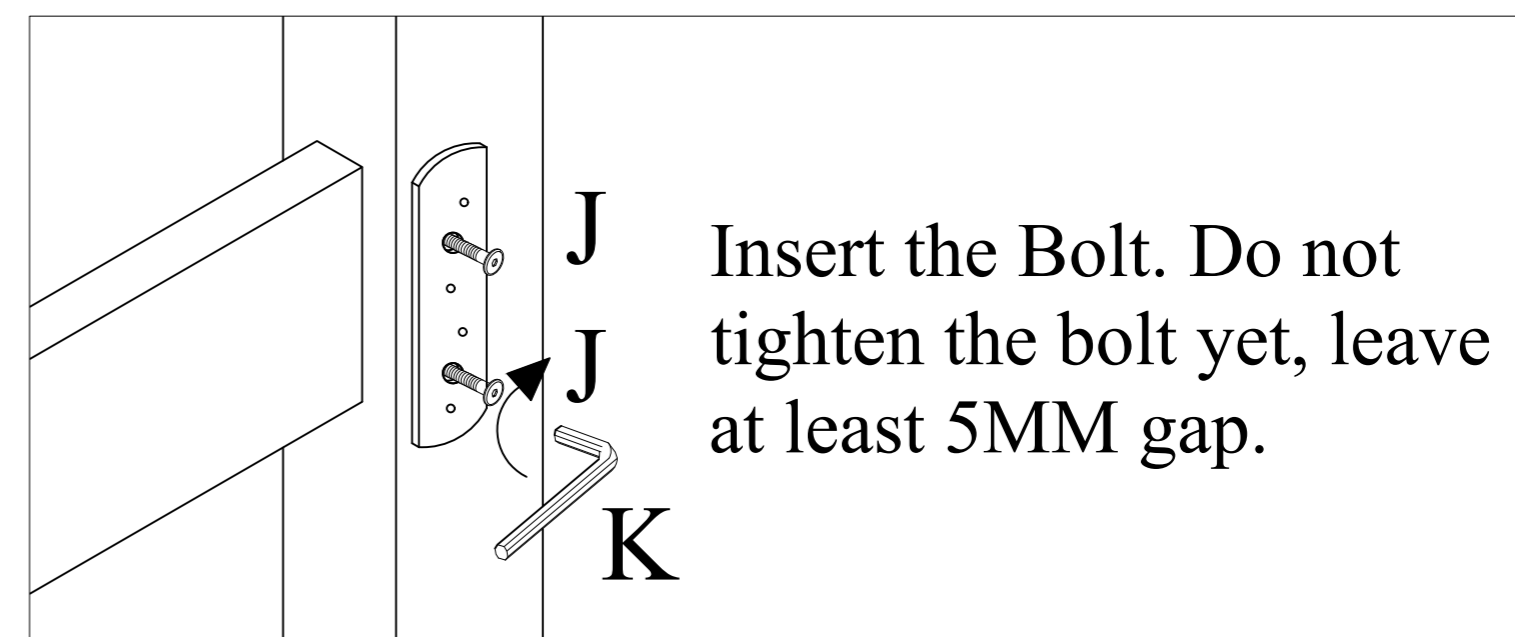
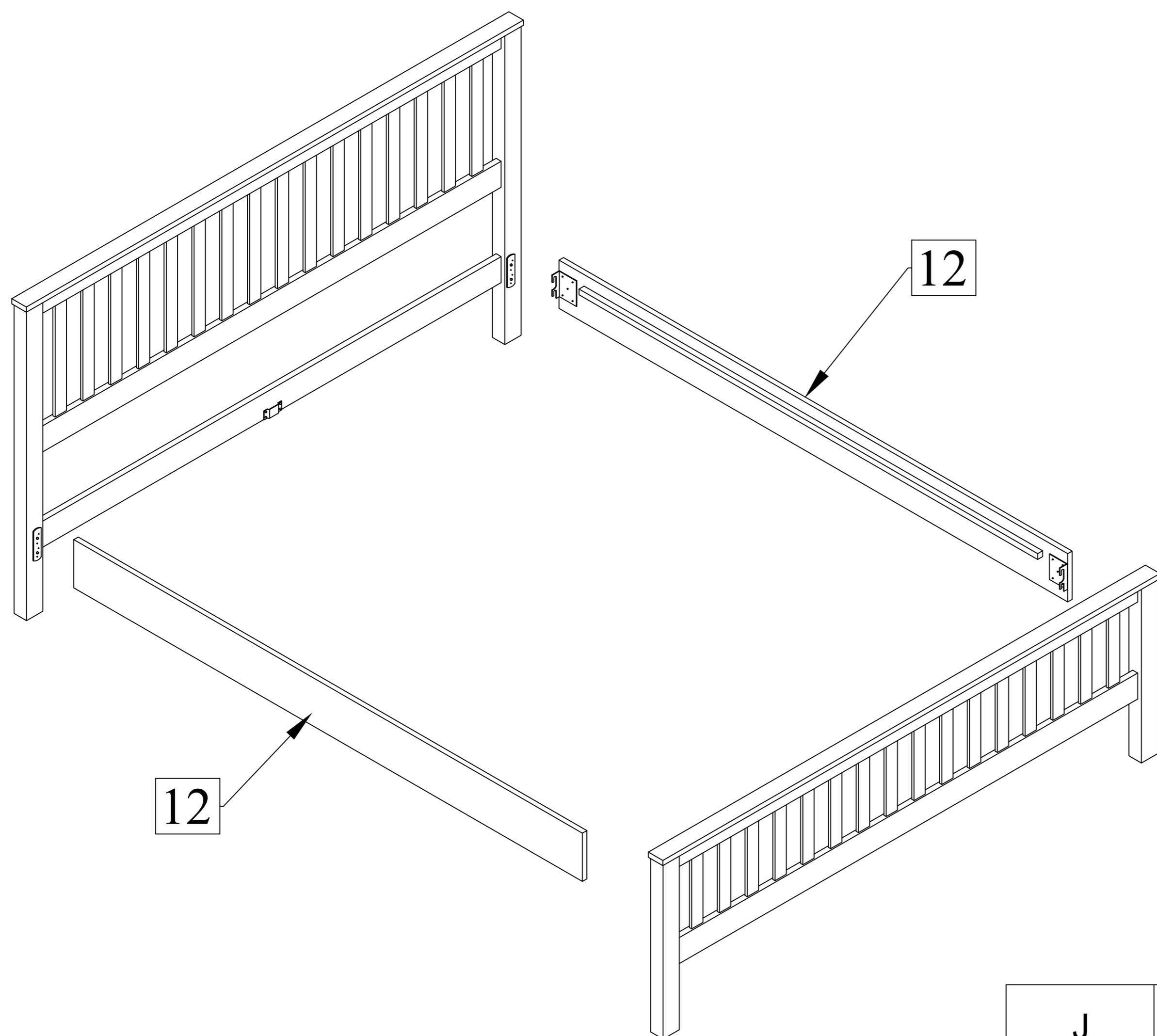
# ASSEMBLY INSTRUCTIONS

Item No : WF294588AAG

Description : KING BED

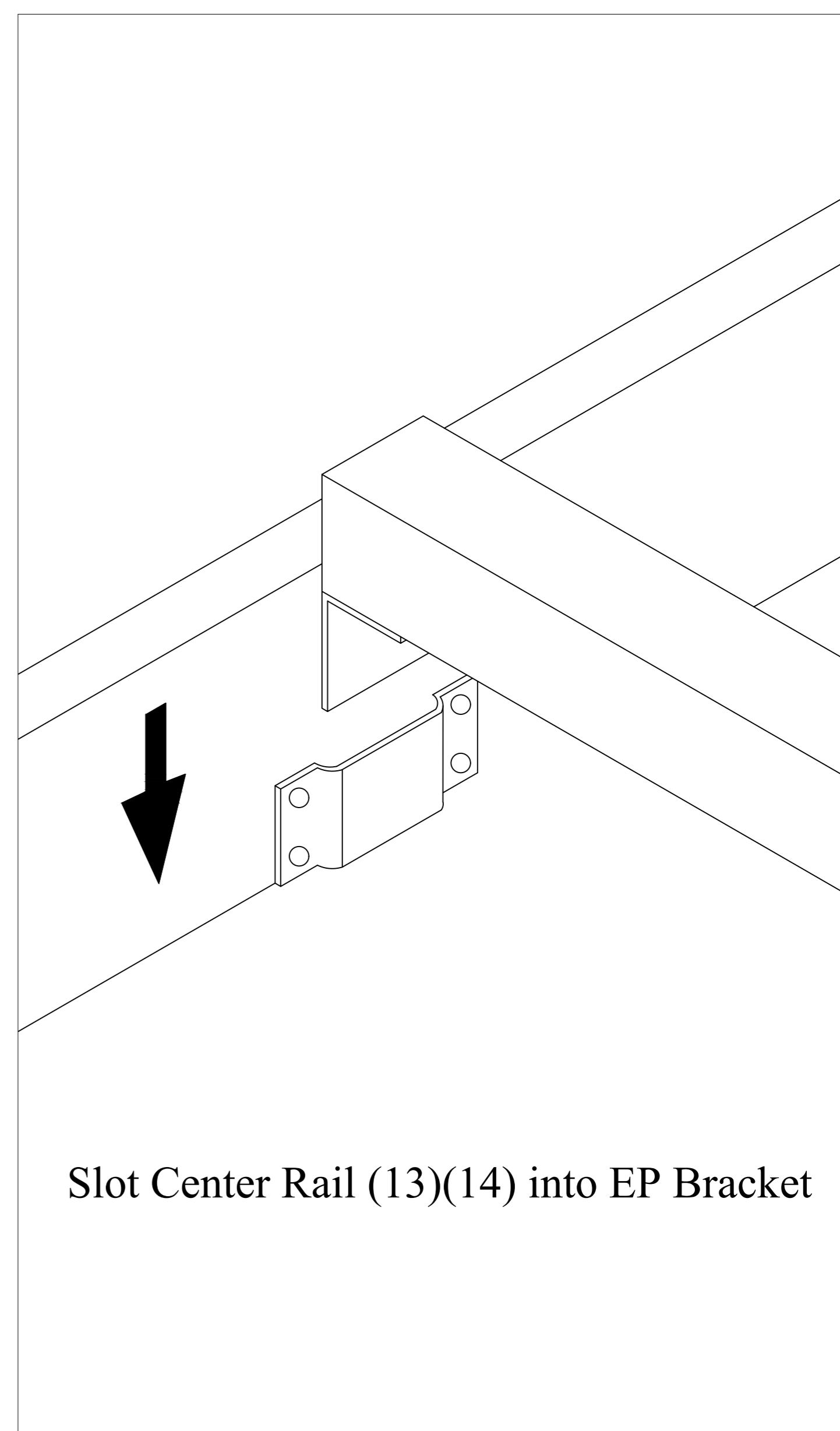
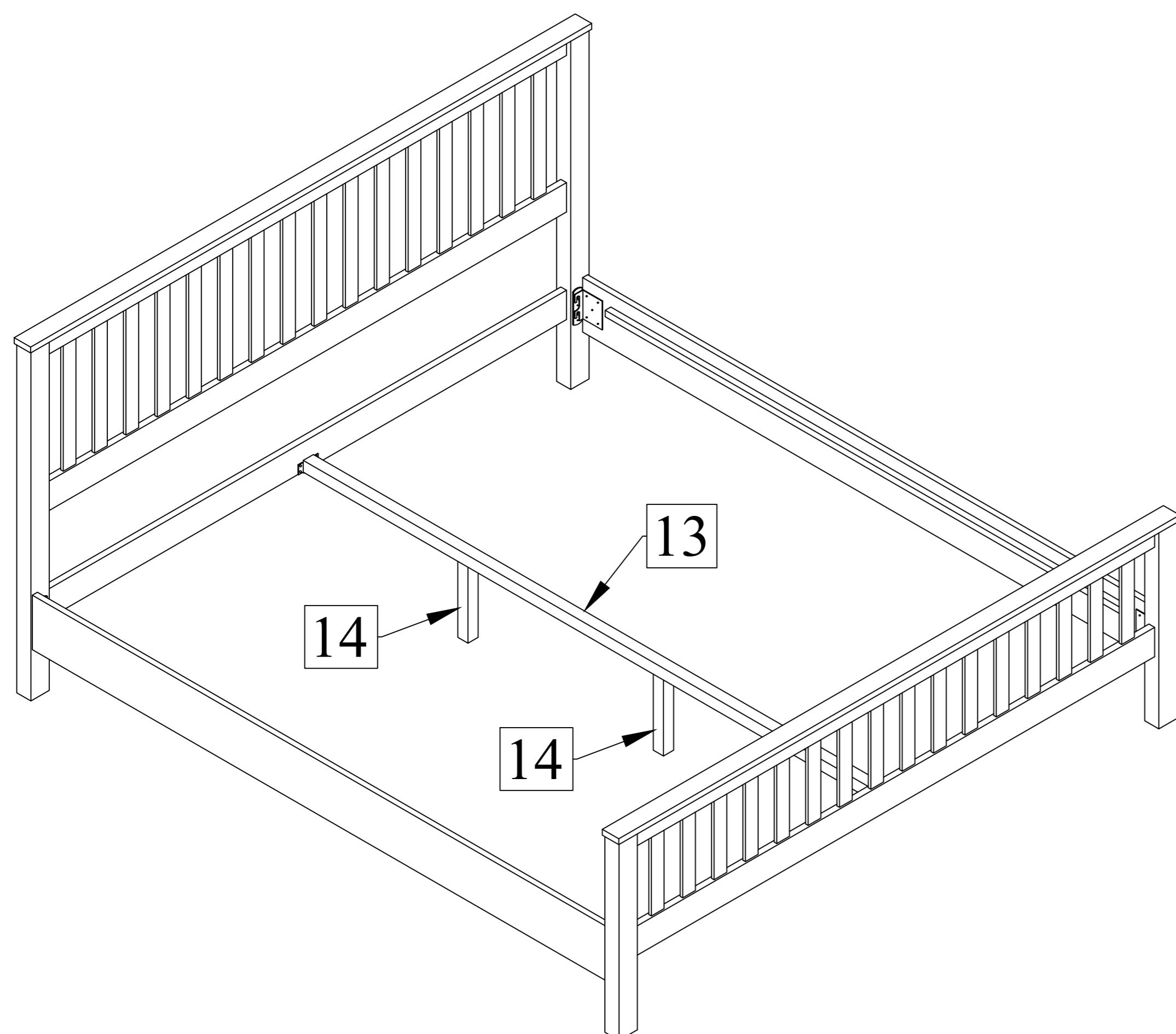
Thank you for purchasing this quality product. Be sure to check all packing material carefully for small part that may have come loose inside carton during shipment.

Step 4 : Connect Bed Side Rails (12) to Headboard and Footboard with Bolt (J) using Allen Key M5 (K)



J	Bolt		8PCS
K	Allen Key M5		1PC

Step 5 : Attach the Center Support Rail (13)(14) to the bed.



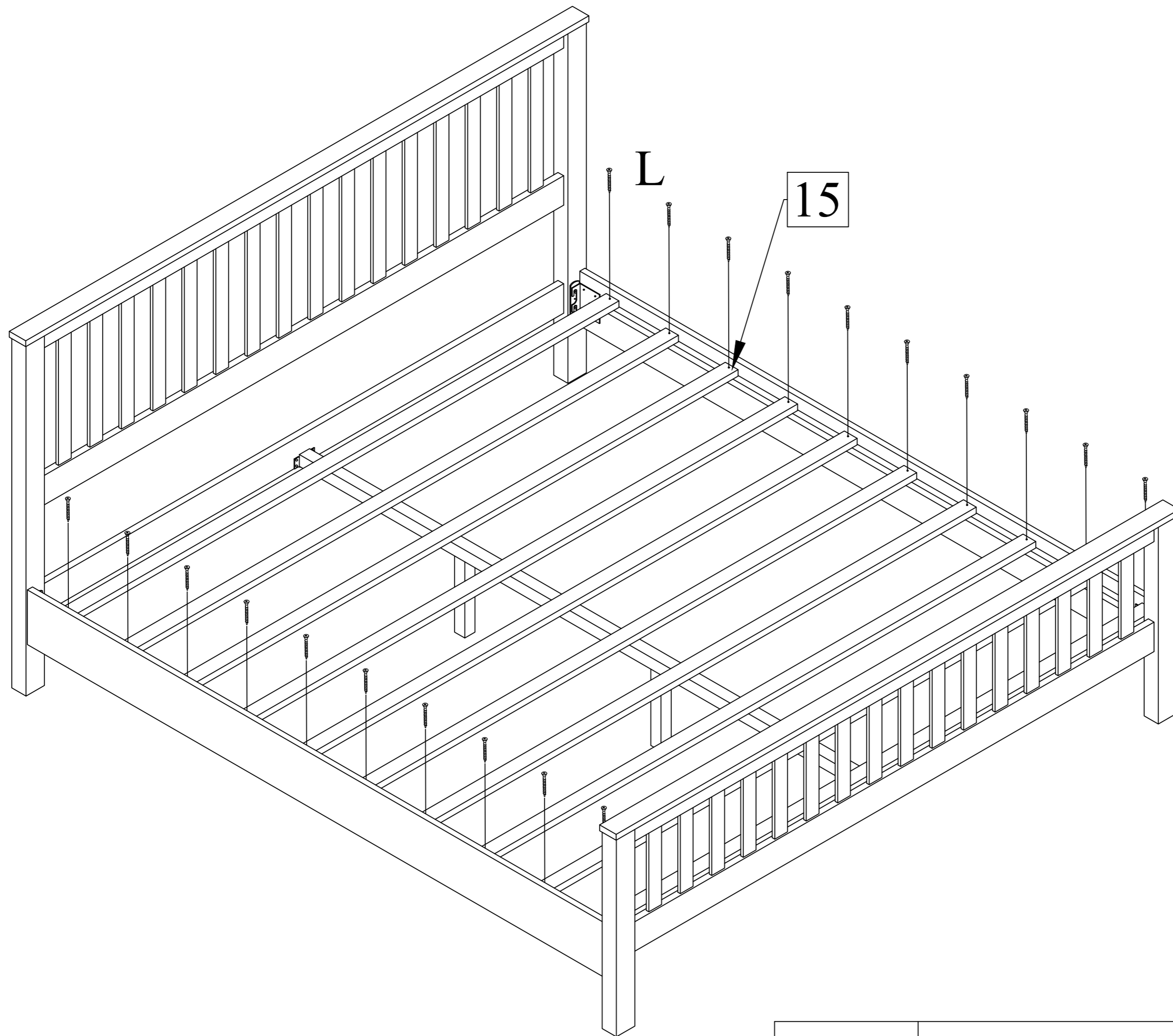
# ASSEMBLY INSTRUCTIONS

Item No : WF294588AAG

Description : KING BED

Thank you for purchasing this quality product. Be sure to check all packing material carefully for small part that may have come loose inside carton during shipment.

Step 6 : Attach Bed Slats (15) to the bed using Screw M4 x 32MM (L).



L

Screw M4 x 32MM



20PCS

Completed assembly.

