

# Counter Stool

Assembly Instructions  
Instrucciones De Asamblea  
Instructions d'Assemblée

## PARTS



A



x4

B



C



D



E



M6\*22MM  
4PCS+1EXT

F



M6\*20MM  
10PCS+1EXT

G



M6\*16MM  
2PCS+1EXT

H



x2

I



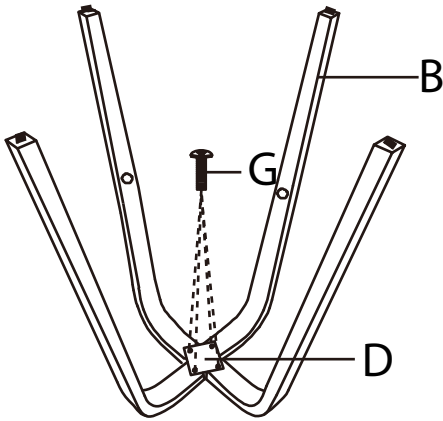
x4

J

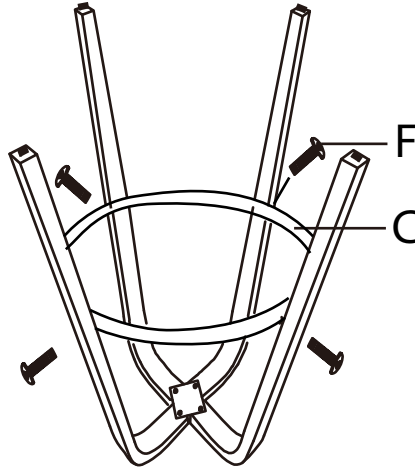


K

1

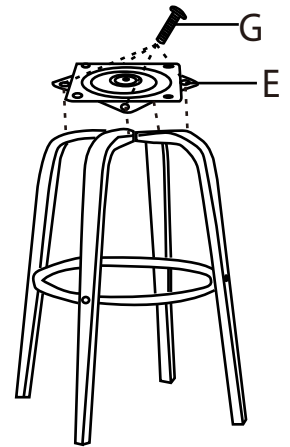
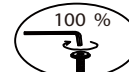


2



3

a)



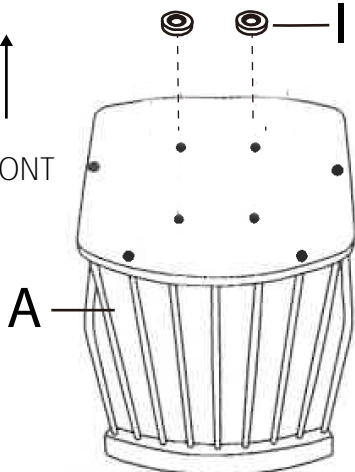
b)



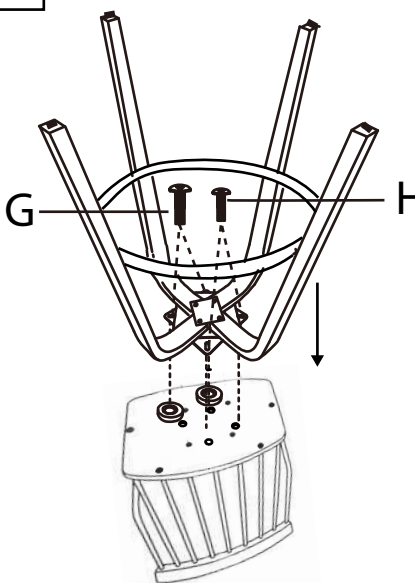
Step 1 & 2

4

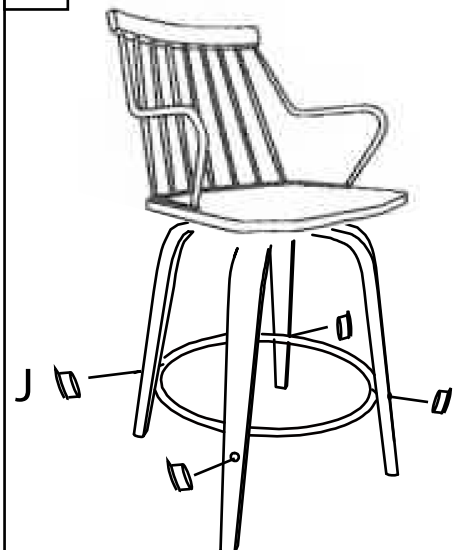
FRONT  
↑



5



6



Do not over tighten.  
Do not use power tools to assemble.