

ASSEMBLY INSTRUCTIONS

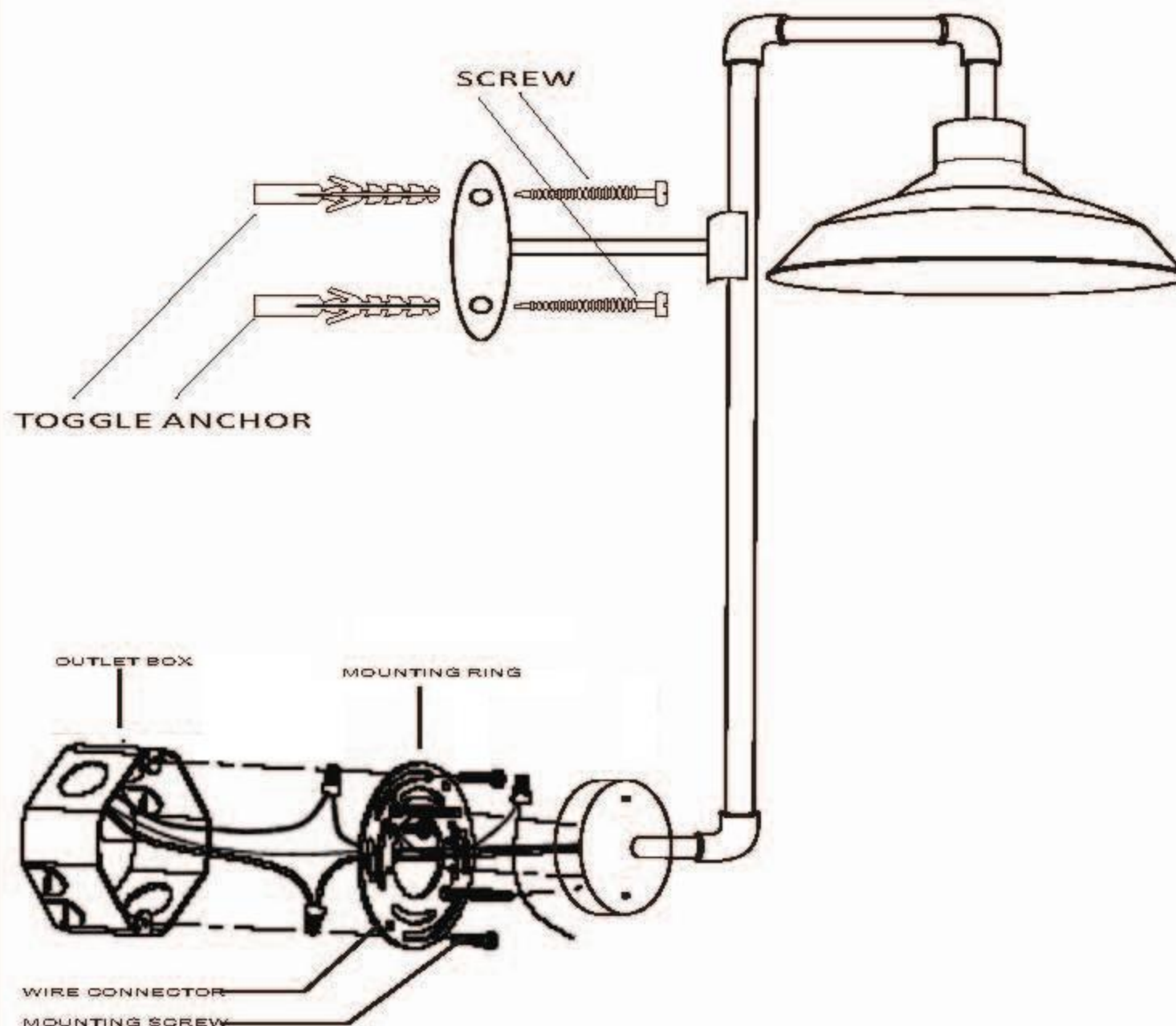
Components List

Item	Description	Quantity
A	OUTLET BOX (NOT INCLUDED)	0
B	MOUNTING RING	1

Hardware List (hardware included)

Item	Description	Quantity
C	MOUNTING SCREWS	2
D	WIRE CONNECTORS	2
E	TOGGLE ANCHOR	2
F	METAL SCREW	2
G	GROUND SCREW	1

Assembly Steps



AVERAGE ASSEMBLY TIME: 20 Minutes.

NOTE:

THE COMPONENTS FOR ASSEMBLY ARE PLACED ON THE BOX WITH A RED STICKER, MARKED AS HARDWARE.

Fixture installation:

Before installing the fixture, be sure that the electricity is shut off. Turning off the power using the light switch is not sufficient.

**** Consult a certified electrician for installment of this piece.**

Installation Instructions:

*Place the fixture & components on a soft surface to avoid scratching.

1. Screw the two mounting screws (C) in to the mounting ring (B). Mount the mounting ring (B) to the outlet box (A). Make sure the threads of the mounting screws (C) are facing outside when the mounting ring (B) is attached to the outlet box (A).

2. Wrap the ground wire from the fixture around the ground screw (G) on the mounting ring (B), and then connect the ground wire from the fixture to the ground wire from the outlet box (A). Connect the neutral wire from the fixture to the neutral wire from the outlet box (A). Connect the hot wire from the fixture to the hot wire from the outlet box (A).

3. Place the fixture body to the wall by aligning the protruding metal screws (F) all the way through the wall plate. Tighten the fixture to the wall by screwing the two metal screw (F).

4. On top small plate, tighten the fixture to wall by screwing toggle anchor (E).

5. Turn on the power at the circuit breaker or fuse box. Turn the light switch on to activate the fixture.

Wiring Information

Hot Wire : Red Label
 Neutral Wire : Green Label
 Ground Wire : Yellow Label