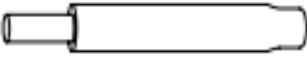



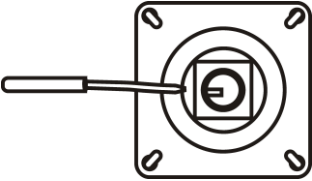

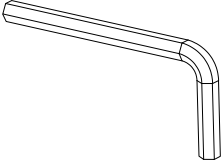


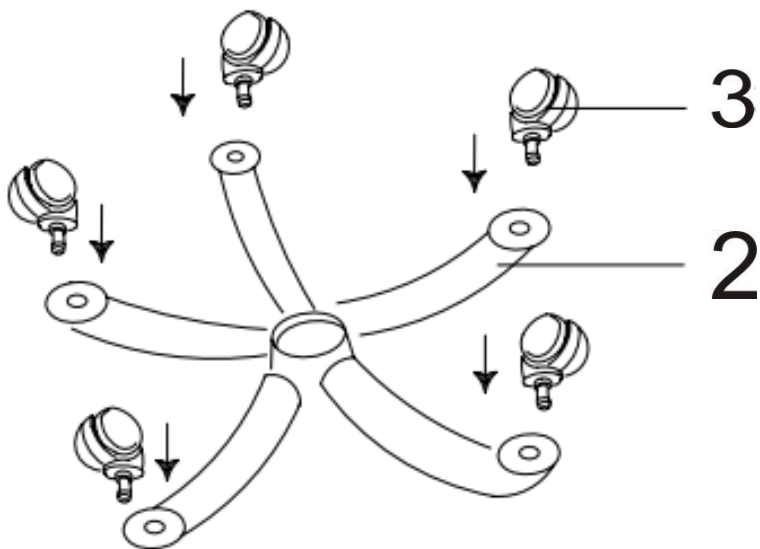
# OFFICE CHAIR



## ASSEMBLY INSTRUCTIONS

1	2	3
 <p><b>GAS LIFT</b> 1PC</p>	 <p><b>BASE</b> 1PC</p>	 <p><b>CASTER</b> 5PCS</p>
4	5	
 <p><b>SEAT</b> 1PC</p>	 <p><b>BRACKET W/HANDLE</b> 1PC</p>	
A	B	
 <p><b>BOLT</b> 4PCS</p>	 <p><b>WRENCH</b> 1PC</p>	

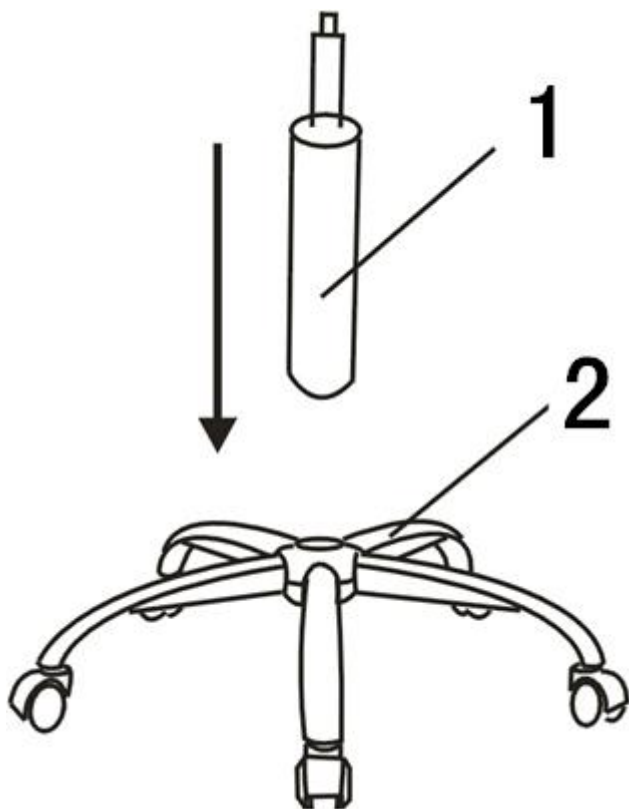
## STEP 1



\*Please put all parts on a soft surface to prevent scratches.

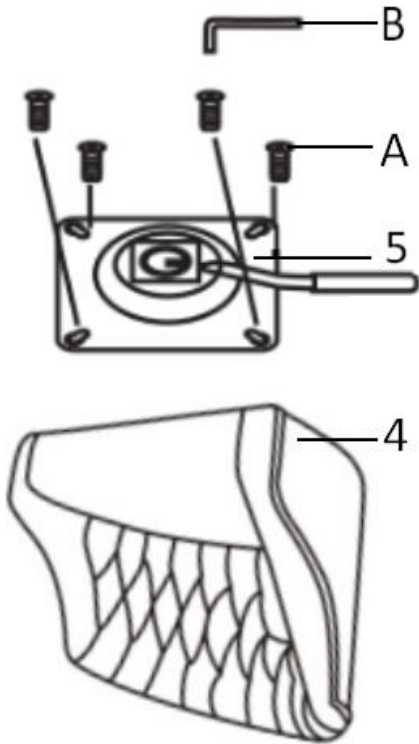
Insert caster (3) into base (2) carefully as shown.

## STEP 2



Insert gas lift (1) into base (2) carefully as shown.

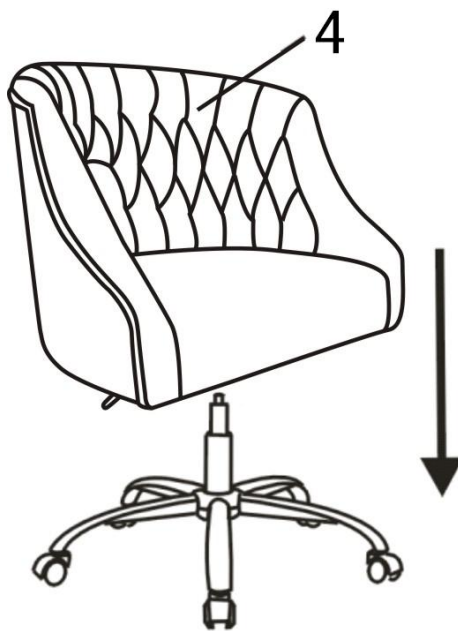
### STEP 3



Attach bracket w/handle (5) to seat (4) by using bolt (A) and wrench (B) as shown.

Tighten all bolts firmly!

### STEP 4



Insert gas lift (1) into seat (4) by applying moderate downwards force to the seat (4) in order to secure it to the base as shown.

Your office chair is completed.