

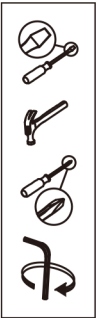
## USER'S MANUAL 2PCS Bar Stools

THIS INSTRUCTION BOOKLET CONTAINS **IMPORTANT** SAFETY INFORMATION. PLEASE READ AND KEEP FOR FUTURE REFERENCE.

---

---

# Before You Start

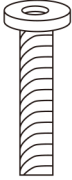


- Read each step carefully before starting. It is very important to ensure each step followed in correct order, otherwise assembly difficulties may occur.
- Most of board parts are labeled or stamped on the raw edges. Have a check to make sure all parts are included.
- Work in a spacious area, preferably on a carpet close to where the unit will be used.
- Keep the handtools close at hand. Do not use power tools to assemble your furniture. They may scratch or damage the parts.

---

# Parts List

Not actual size



A. Bolt M8x55mm  
9x2



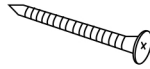
B. Washer  
9x2



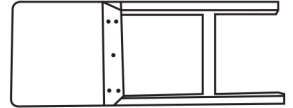
C. Spring Washer  
9x2



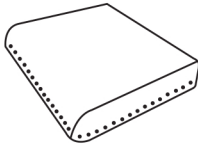
D. Allen Key  
1x2



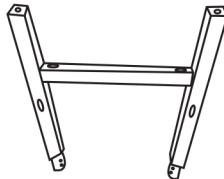
E. Screw M4x45  
4x2



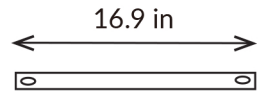
F. Backrest with Rear Legs  
1x2



G. Seat Deck  
1x2



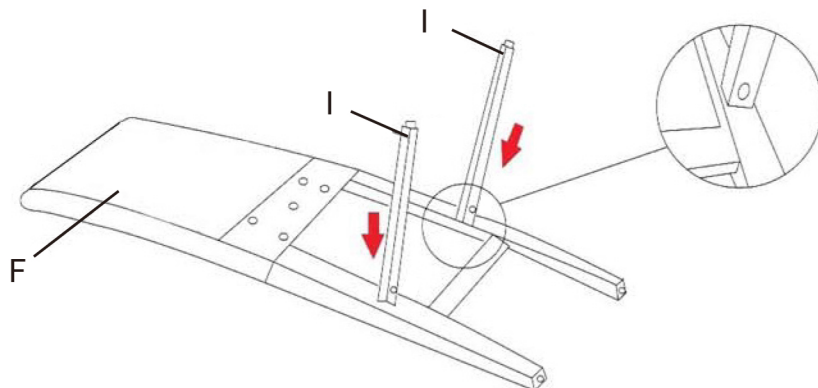
H. Front Legs  
1x2



I. Side Support Bar  
2x2

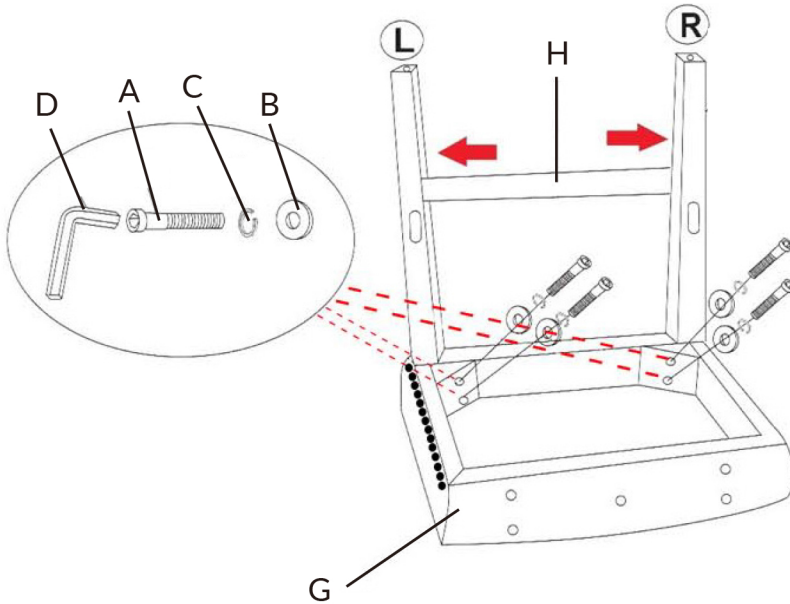
## **STEP 1**

Attach Side Support Bar (I) to Backrest with Rear Legs (F) making sure the holes on the Side Support Bar (I) are facing down, towards the bottom of Backrest with Rear Legs (F).



## STEP 2

Attach Front Legs (H) to Seat Deck (G) using Bolt (A), Spring Washer (C) and Washer (B). Tighten using provided Allen Key (D).

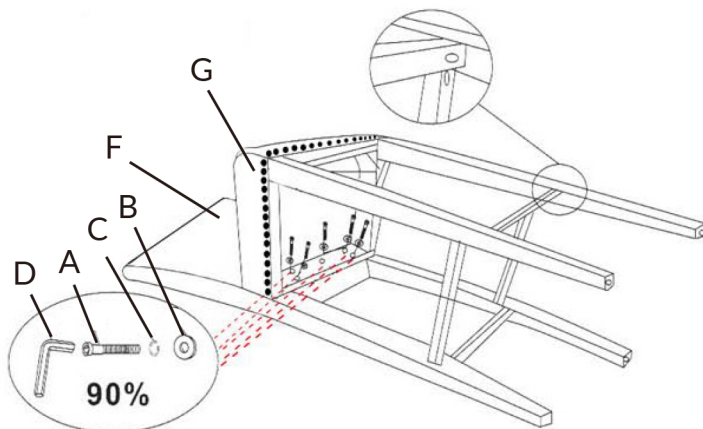


Put the screws in the holes, **tighten** the screws, but not too **tight**, 90% is ok.

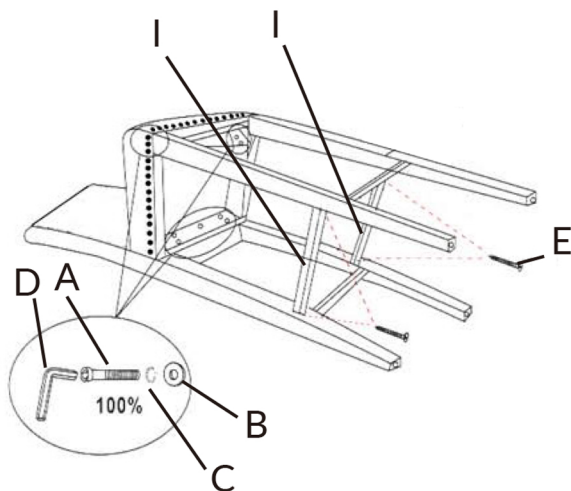
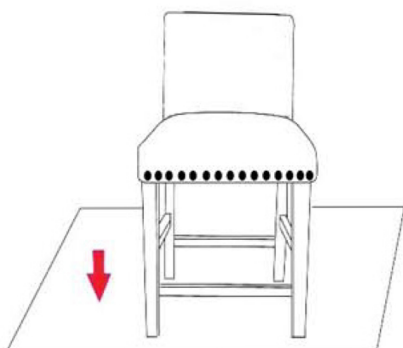
# STEP 3



Attach Seat Deck (G) to Backrest with Rear Legs (F) using Bolt (A), Spring Washer (C) and Washer (B). Tighten using provided Allen Key (D).

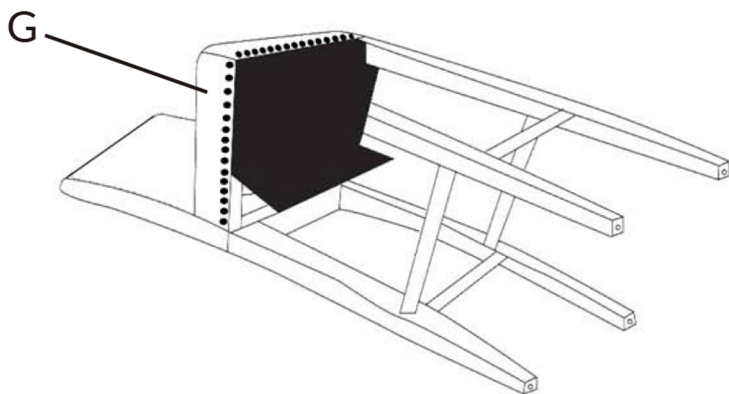


STEP 4

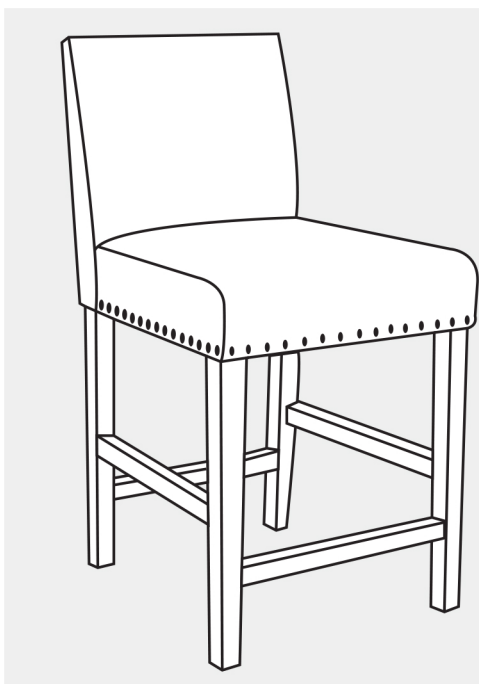


Then adjust the balance of the chair. **tighten** all the screws to 100%

STEP 5



STEP 6



---

## Care and Maintenance

Use a soft, clean cloth that will not scratch the surface when dusting.

Use of furniture polish is not necessary.

Should you choose to use polish, test first in an inconspicuous area.

Using solvents of any kind on your furniture may damage the finish.

Never use water to clean your furniture as it may cause damage to the finish.

Liquid spills should be removed immediately. Using a soft clean cloth, blot the spill gently. Avoid rubbing.

Check bolts/screws periodically and tighten them if necessary.

## Further advice about wood furniture care

It is best to keep your furniture in a climate-controlled environment.

Extreme temperature and humidity changes can cause fading, warping, shrinking and splitting of wood.

It is advised to keep furniture away from direct sunlight as sun may damage the finish.

Proper care and cleaning at home will extend the life of your purchase.

Following these important and helpful tips will enhance your furniture as it ages.