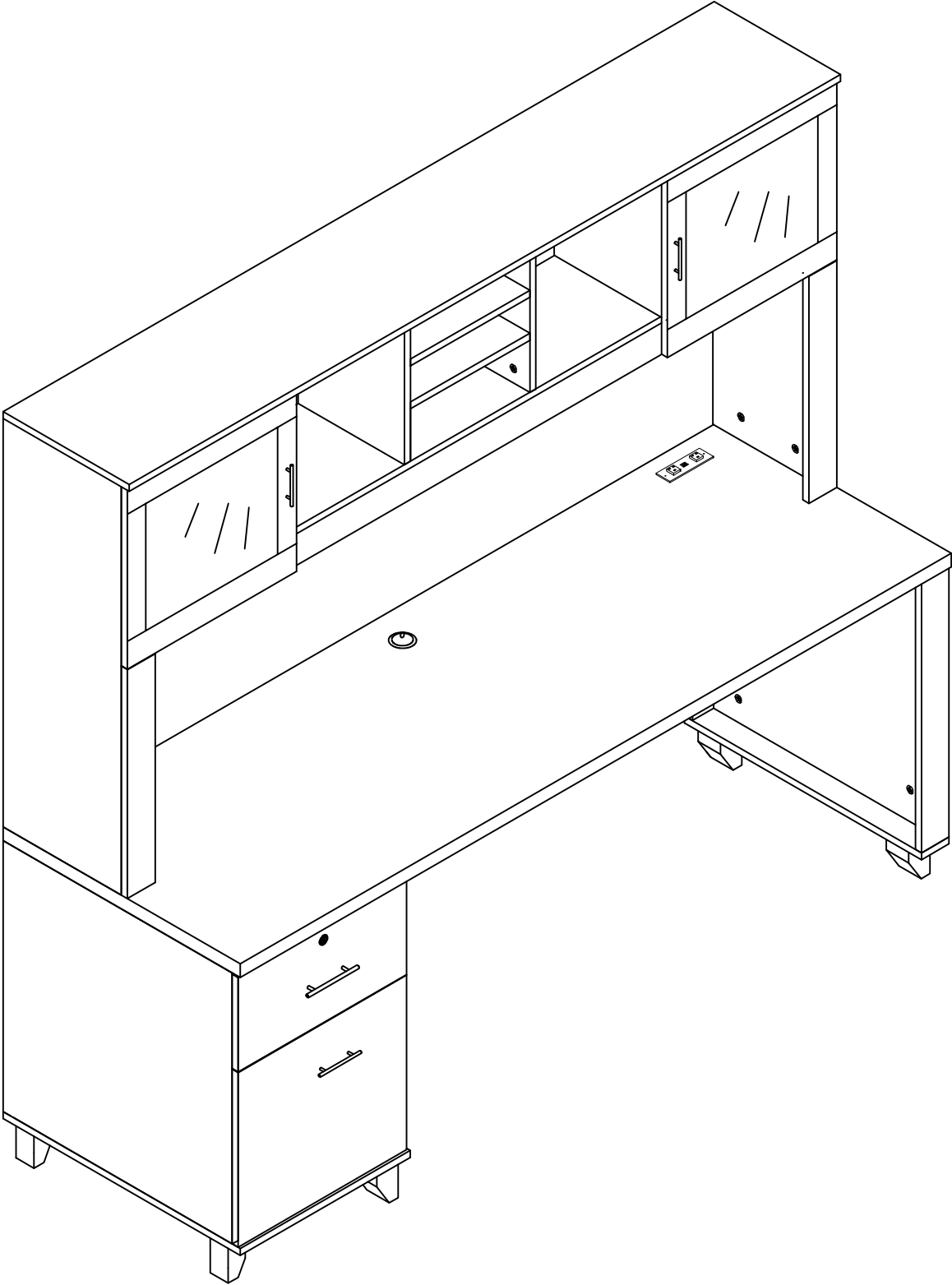
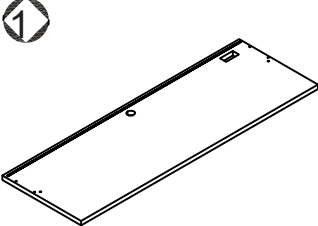
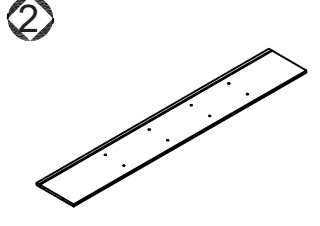
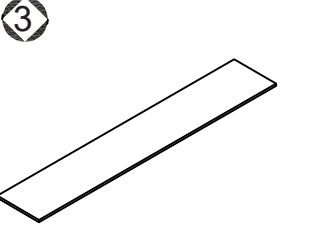
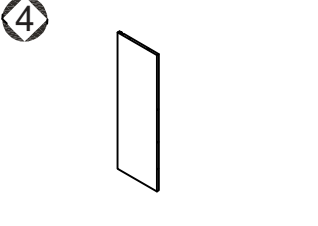
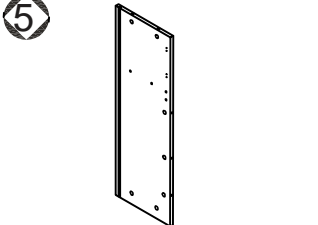
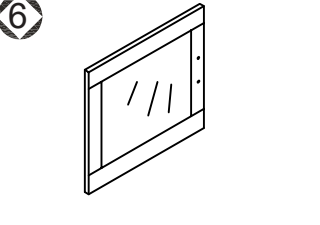
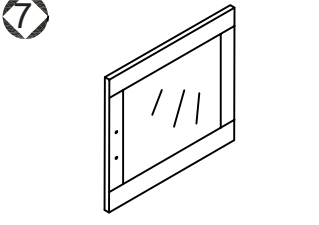
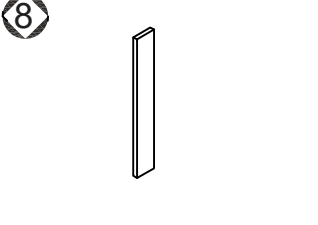
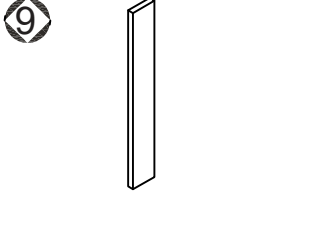
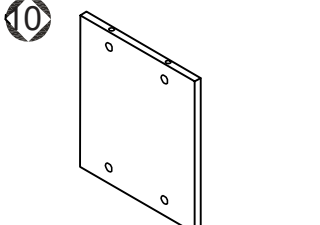
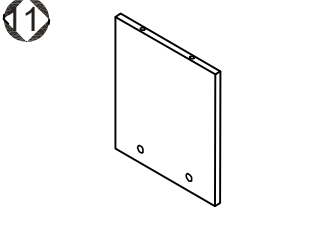
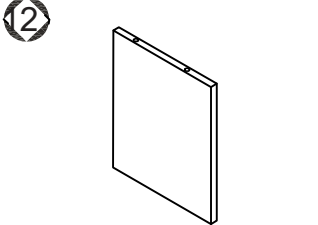
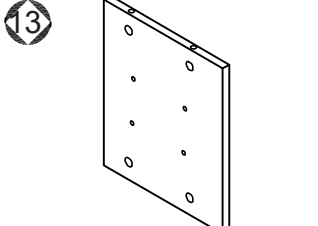
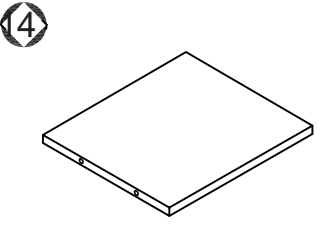
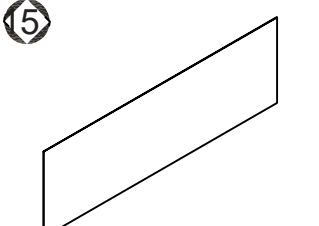
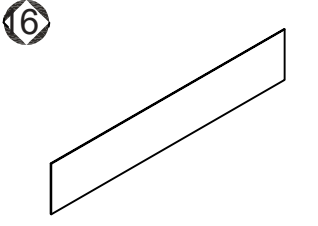
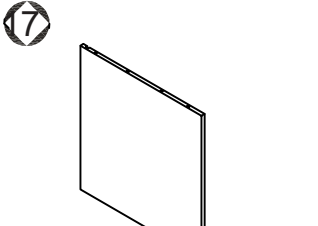
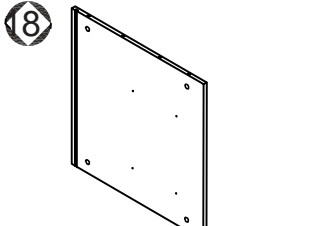
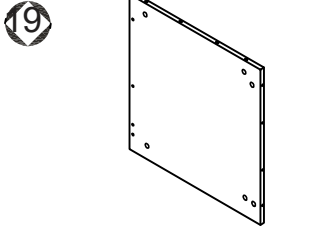
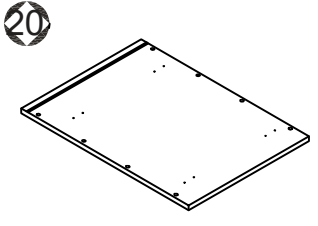
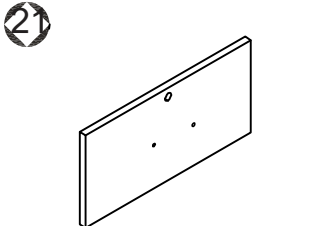
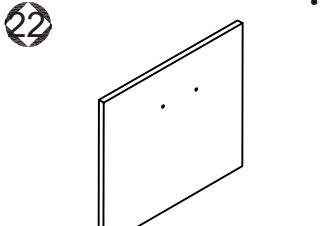
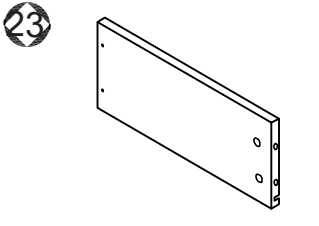
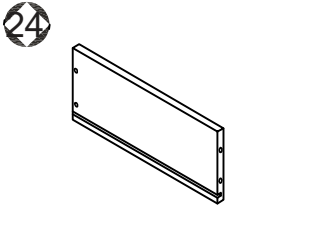


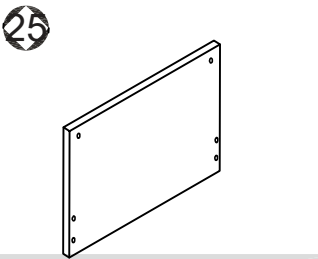
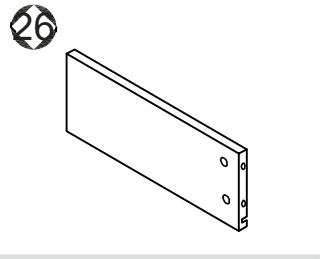
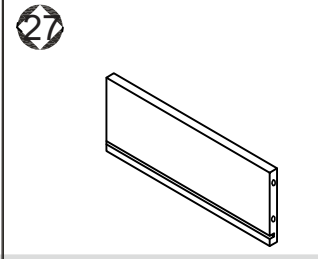
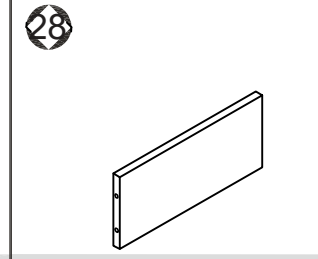
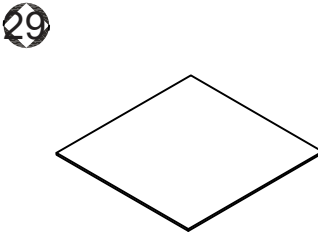
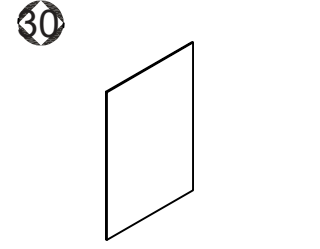
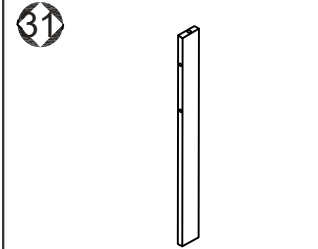
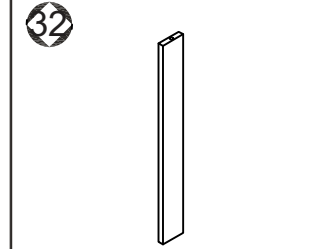
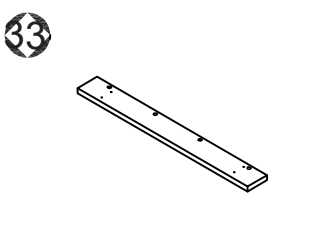
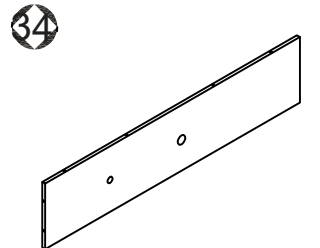
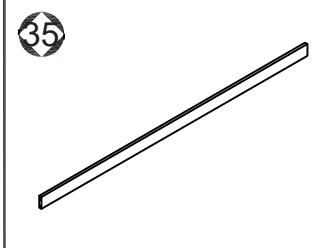
Installation & Assembly

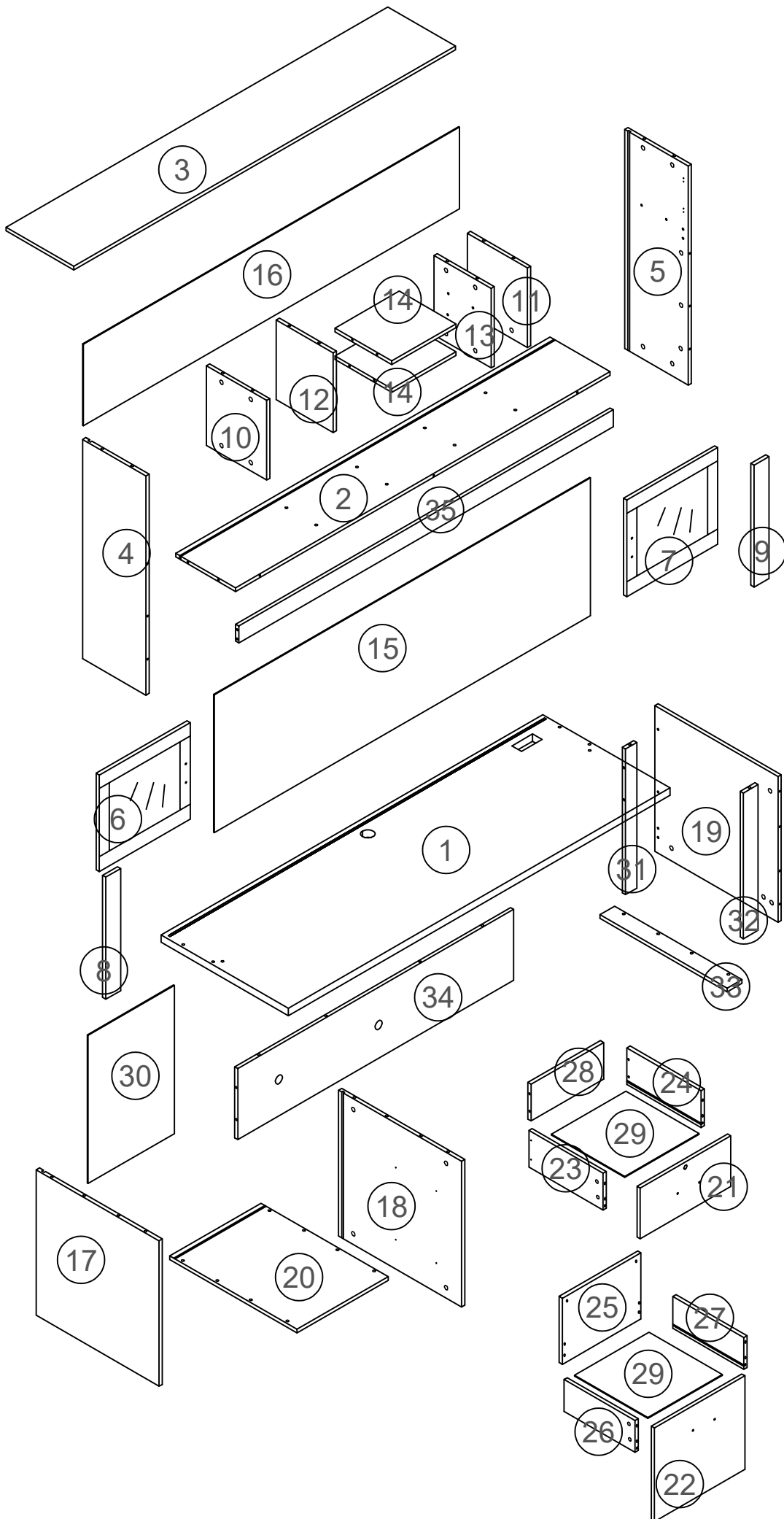


Part List

| | | | |
|---|---|--|---|
|  |  |  |  |
| Desktop panel(x1) | Bookshelf partition panel(x1) | Bookshelf top panel(x1) | Bookshelf left side panel(x1) |
|  |  |  |  |
| Bookshelf right side panel(x1) | Bookshelf left door panel(x1) | Bookshelf right door panel(x1) | Bookshelf left connect strip(x1) |
|  |  |  |  |
| Bookshelf right connect strip(x1) | Bookshelf partition panel(x1) | Bookshelf partition panel(x1) | Bookshelf partition panel(x1) |
|  |  |  |  |
| Bookshelf partition panel(x1) | Bookshelf partition panel(x2) | Bookshelf back panel(x1) | Bookshelf back panel(x1) |
|  |  |  |  |
| Drawer cabinet left side panel(x1) | Drawer cabinet right side panel(x1) | Desk right side panel(x1) | Drawer cabinet bottom panel(x1) |
|  |  |  |  |
| Top drawer front panel(x1) | Bottom drawer front panel(x1) | Top drawer right panel(x1) | Top drawer left panel(x1) |

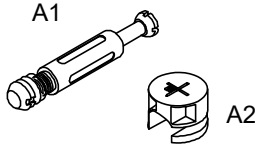
Part List

| | | | |
|--|--|---|---|
|  <p>25</p> |  <p>26</p> |  <p>27</p> |  <p>28</p> |
| Bottom drawer back panel(x1) | Bottom drawer right panel(x1) | Bottom drawer left panel(x1) | Top drawer back panel(x1) |
|  <p>29</p> |  <p>30</p> |  <p>31</p> |  <p>32</p> |
| Drawer bottom panel(x2) | Drawer cabinet back panel(x1) | Desk connect strip(x1) | Desk connect strip(x1) |
|  <p>33</p> |  <p>34</p> |  <p>35</p> | |
| Desk connect strip(x1) | Desk connect strip(x1) | Bookshelf connect strip(x1) | |



Hardware List

(A)



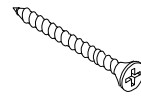
Cam bolt and lock x86

(B)



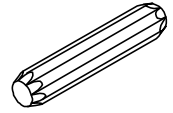
Short screw x38

(C)



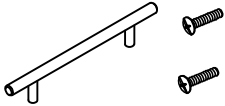
Long screw x20

(D)



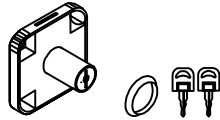
Long wood dowel x17

(E)



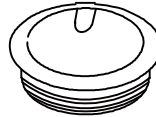
Handle x4

(F)



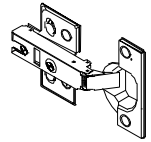
Lock x1

(G)



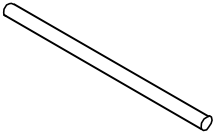
Hole cover x1

(H)



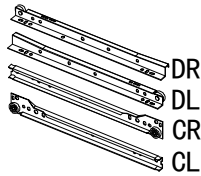
Hinge x4

(I)



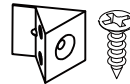
File hanging pole x2

(J)



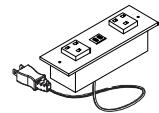
Drawer slider x2

(K)



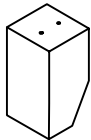
Backboard clamp x26

(L)



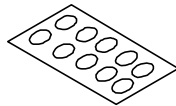
Power strip x1

(M)

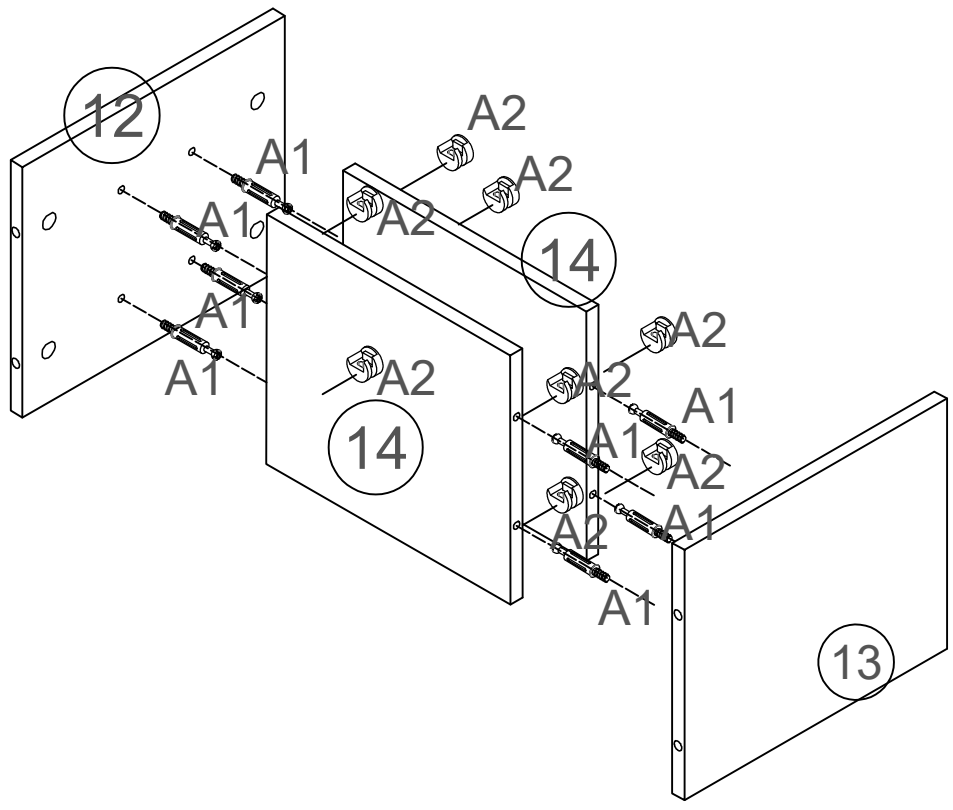




Wooden Leg x6

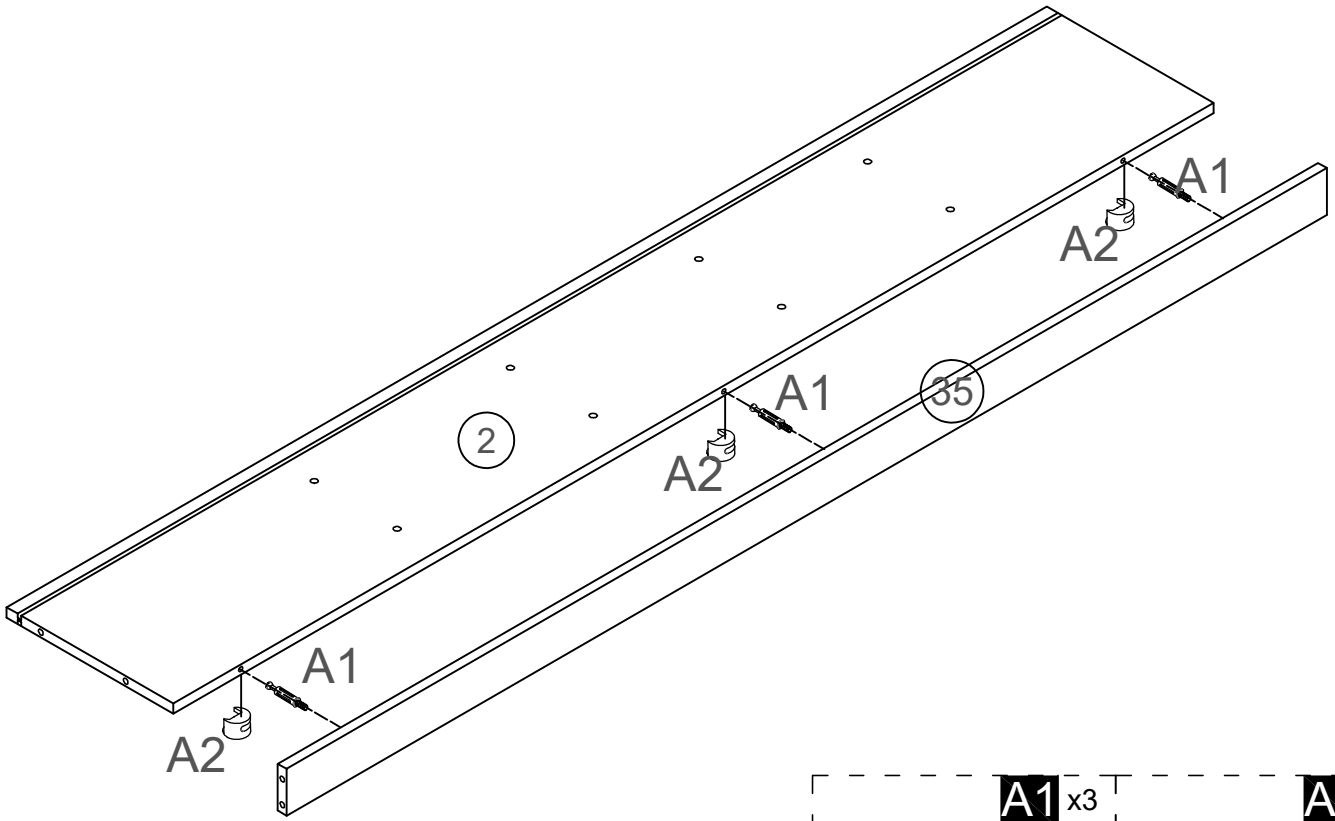
(O)





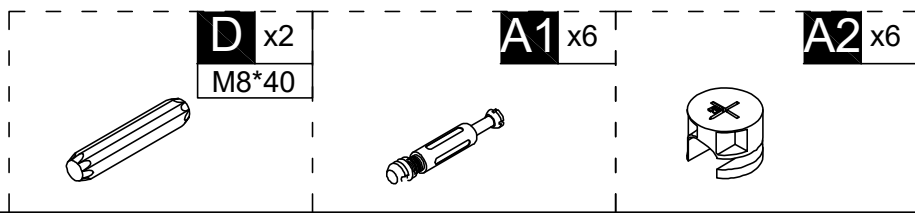
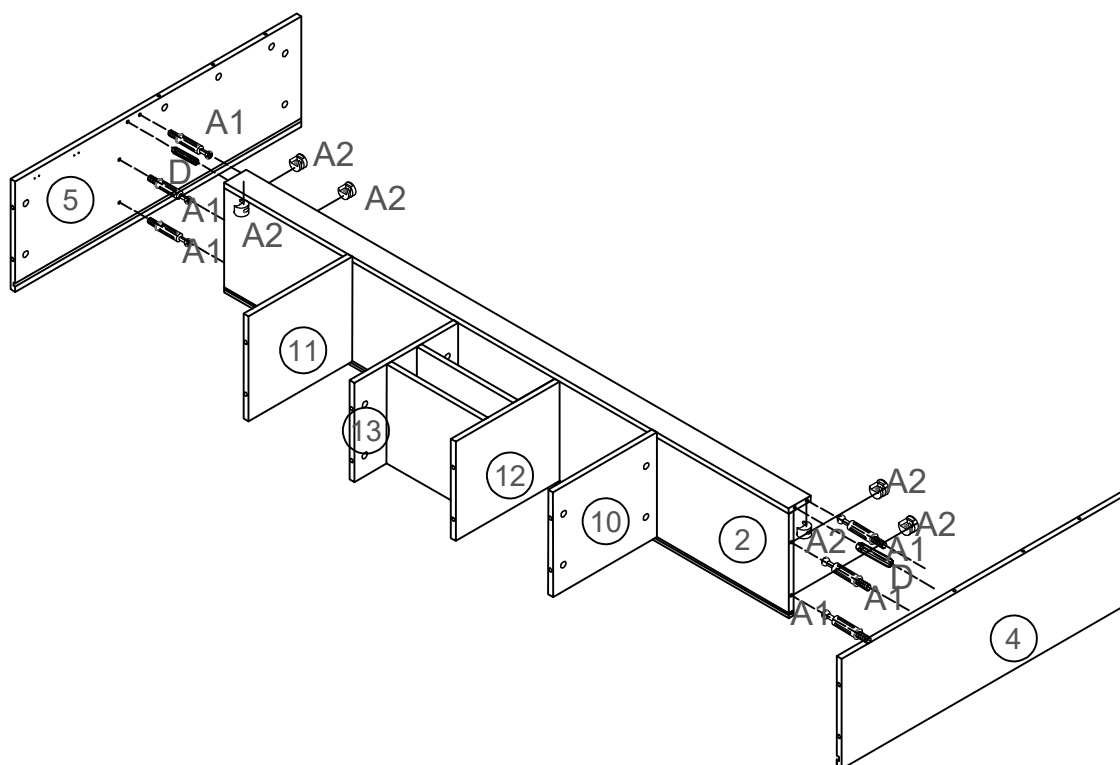
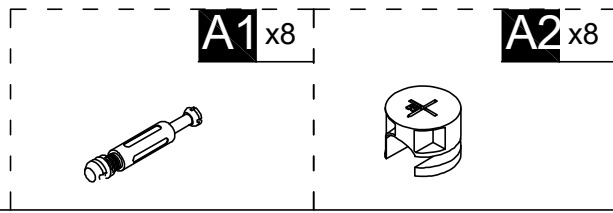
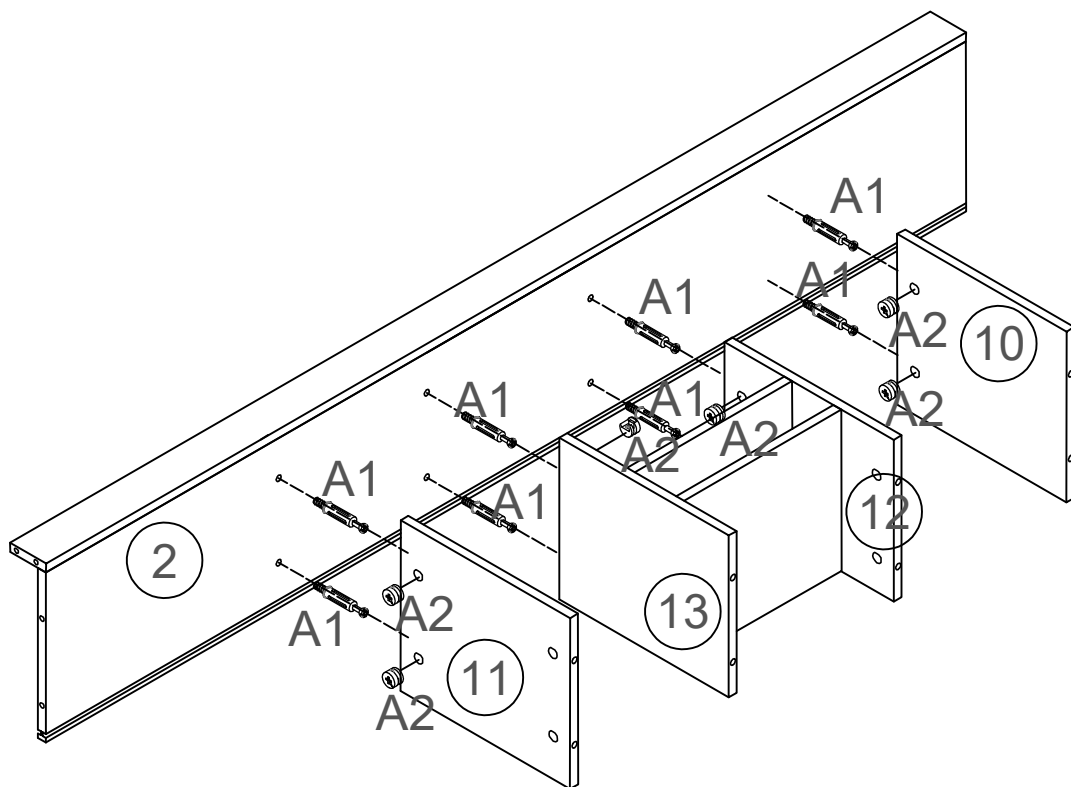
Stickers x86

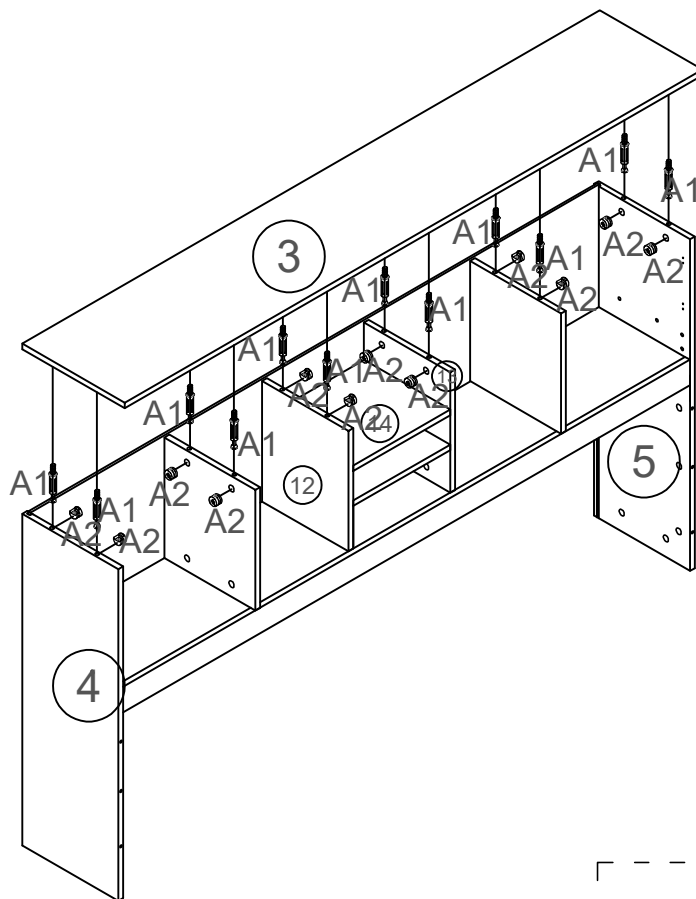
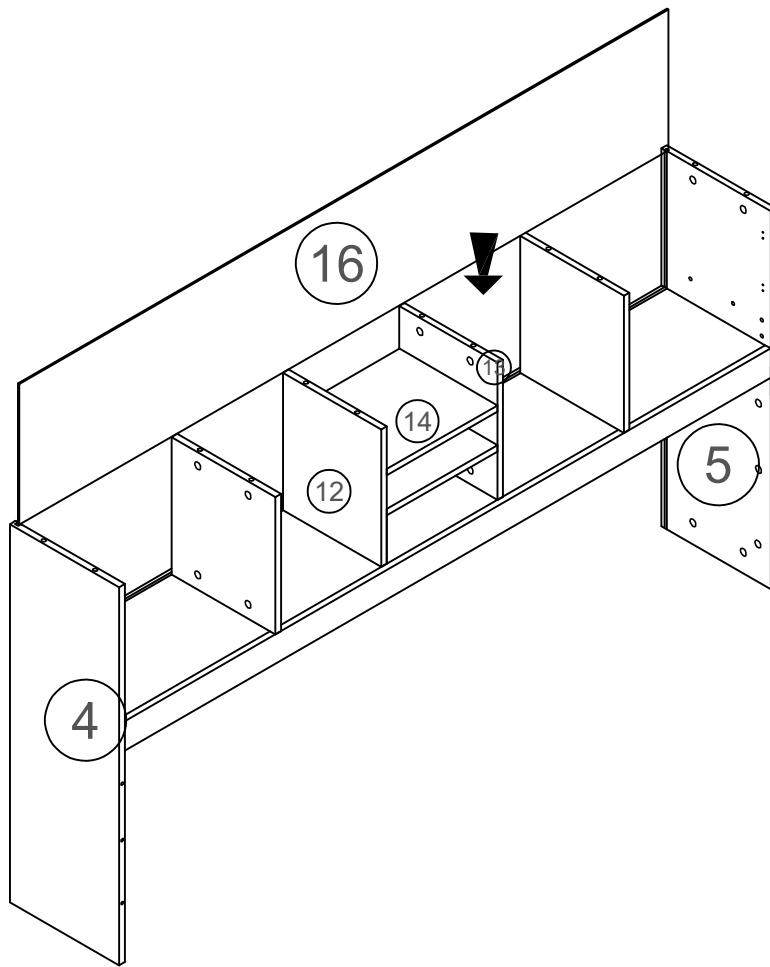




| | |
|--|--|
| A1 x8 | A2 x8 |
|  |  |

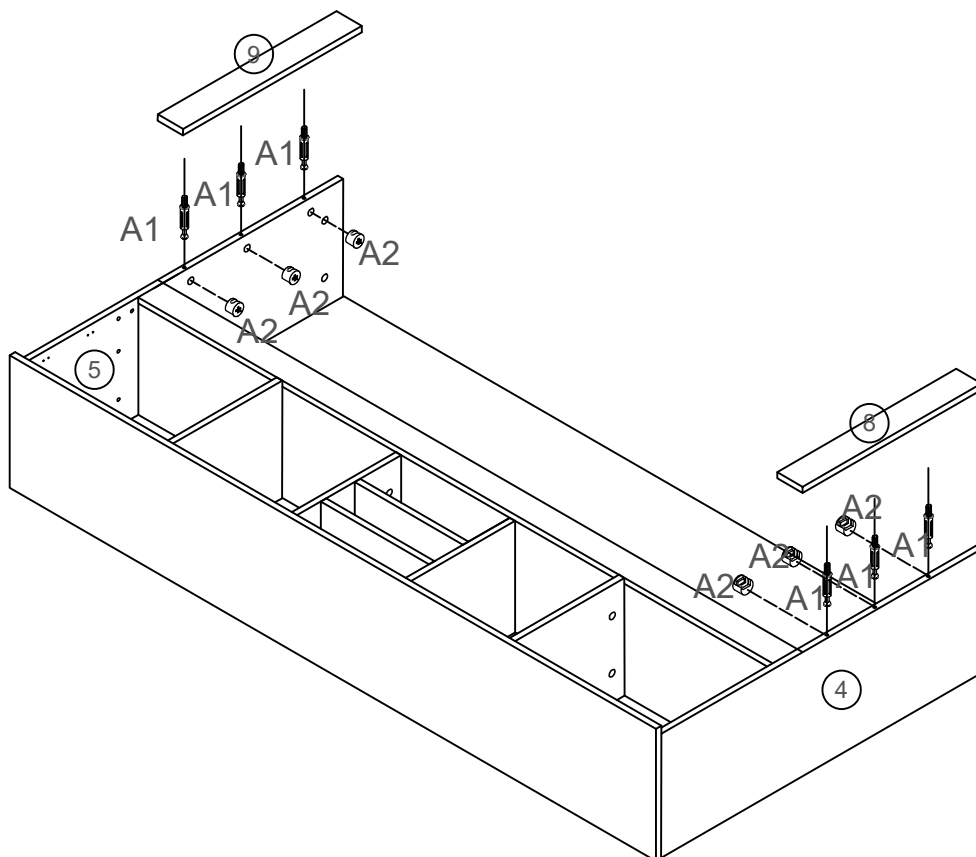
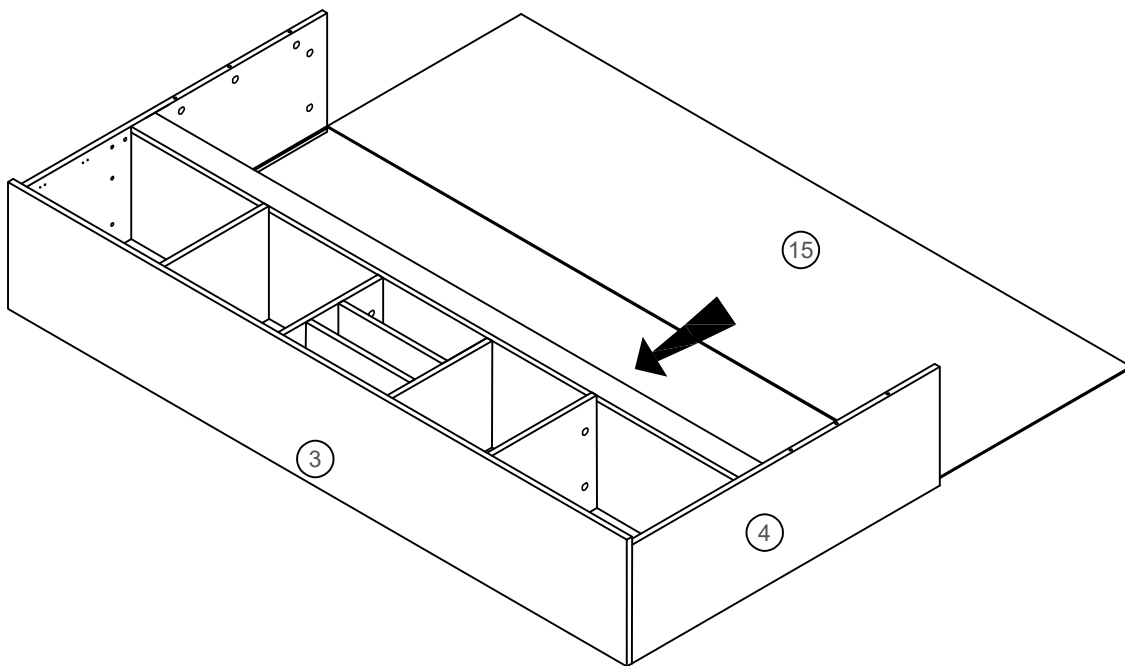


| | |
|---|---|
| A1 x3 | A2 x3 |
|  |  |





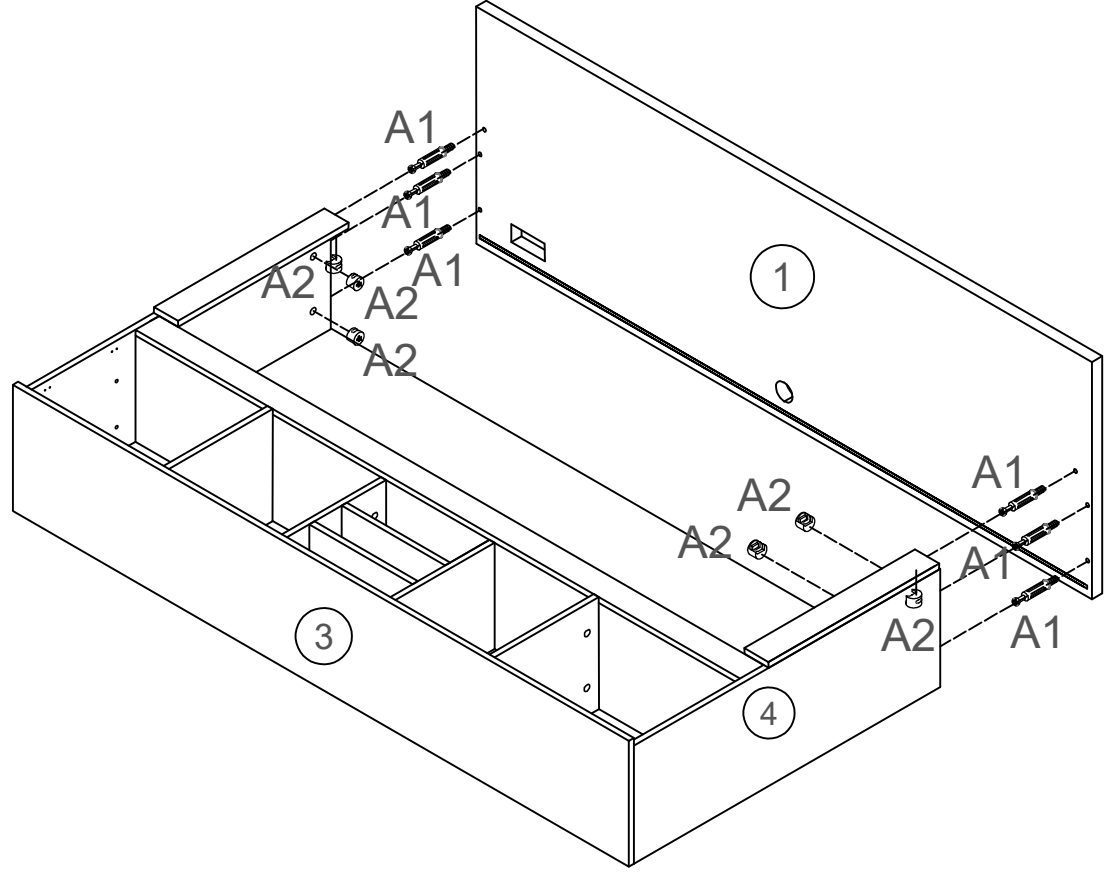
| | |
|---|---|
| A1 x12 | A2 x12 |
|  |  |



A1 x 6

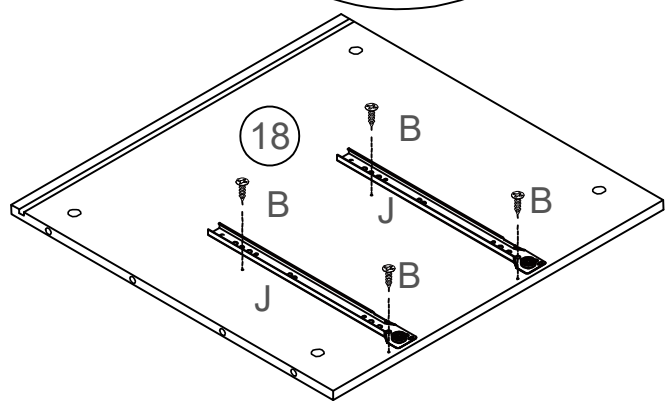
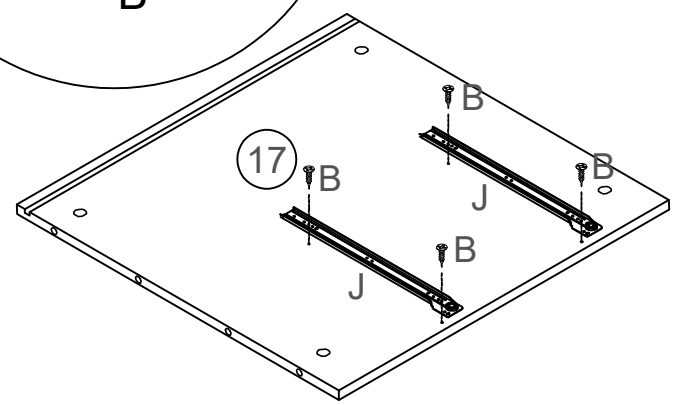
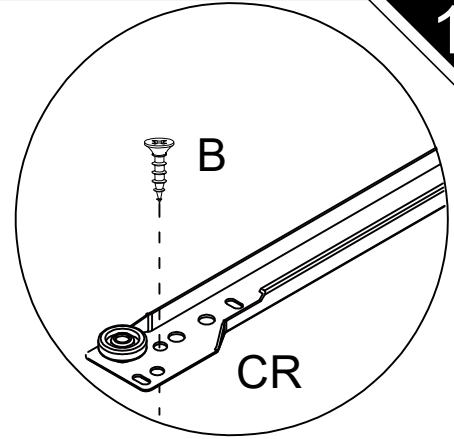
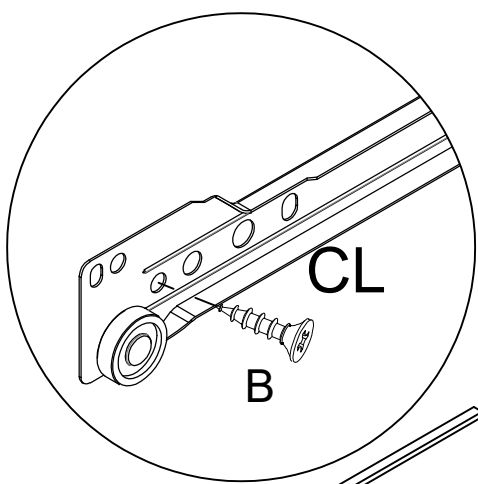
A2 x 6





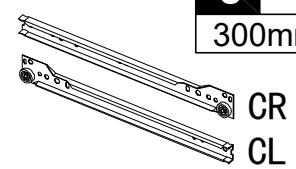
A1 x6

A2 x6

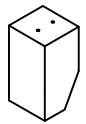
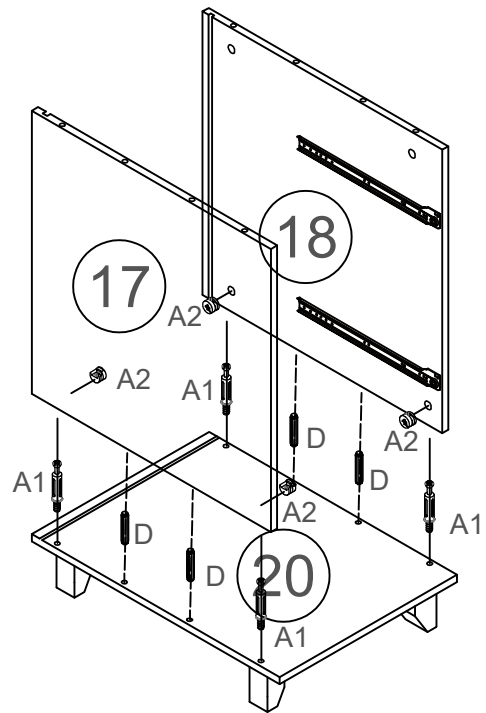
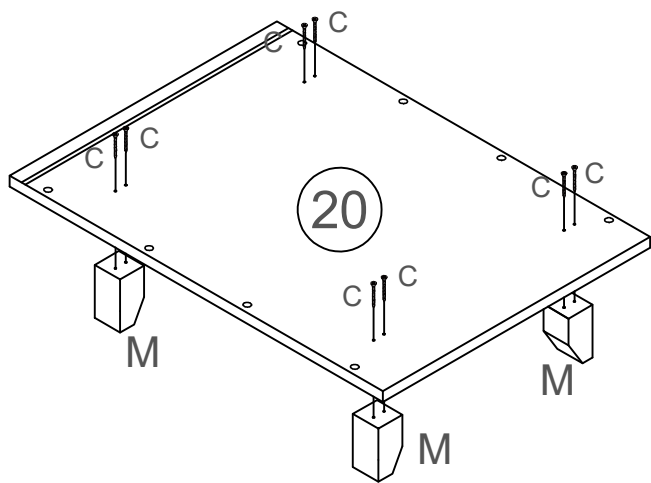


B x 8
M3.5*14

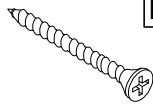
J x 2
300mm



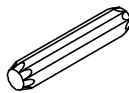
CR
CL



M x4



C x8
M3.5*35



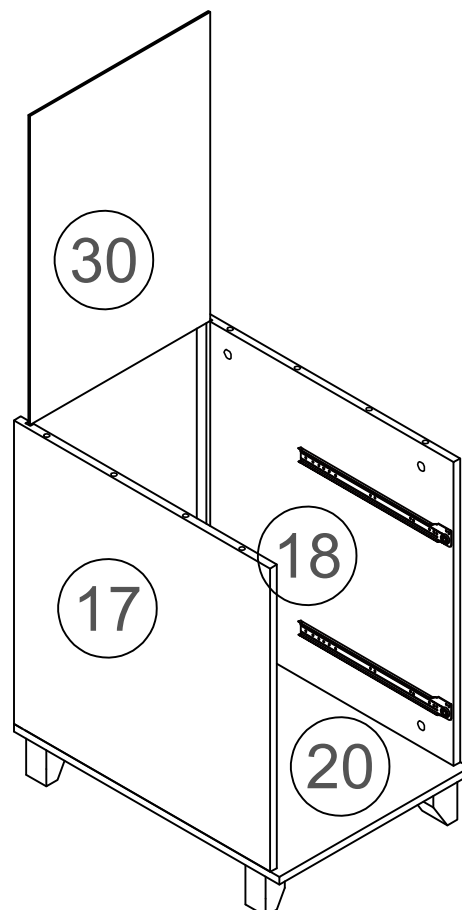
D x4
M8*40

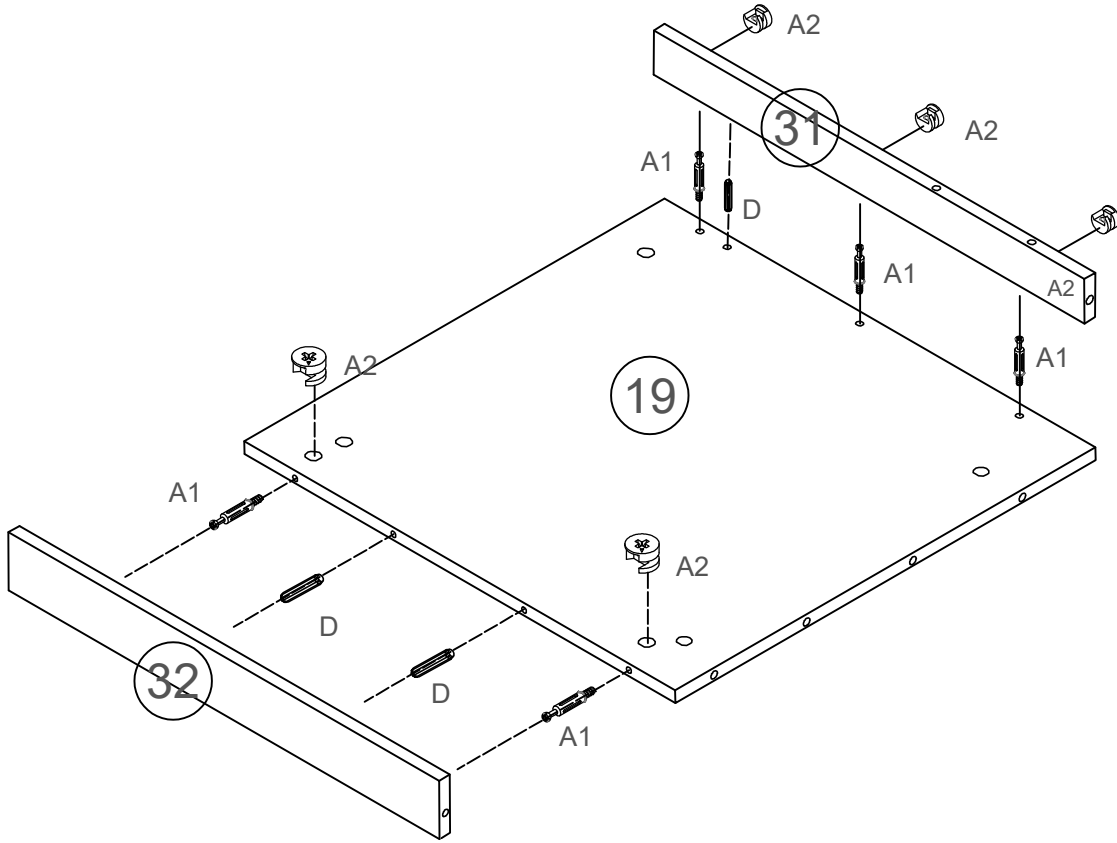


A1 x4

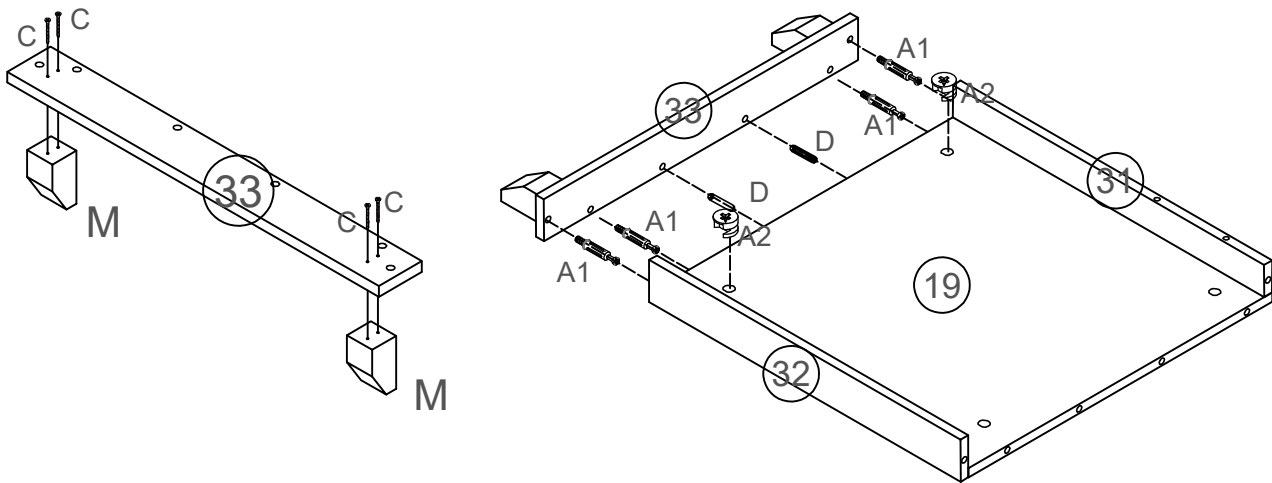


A2 x4

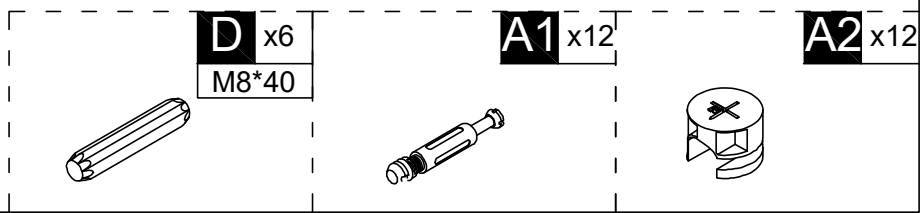
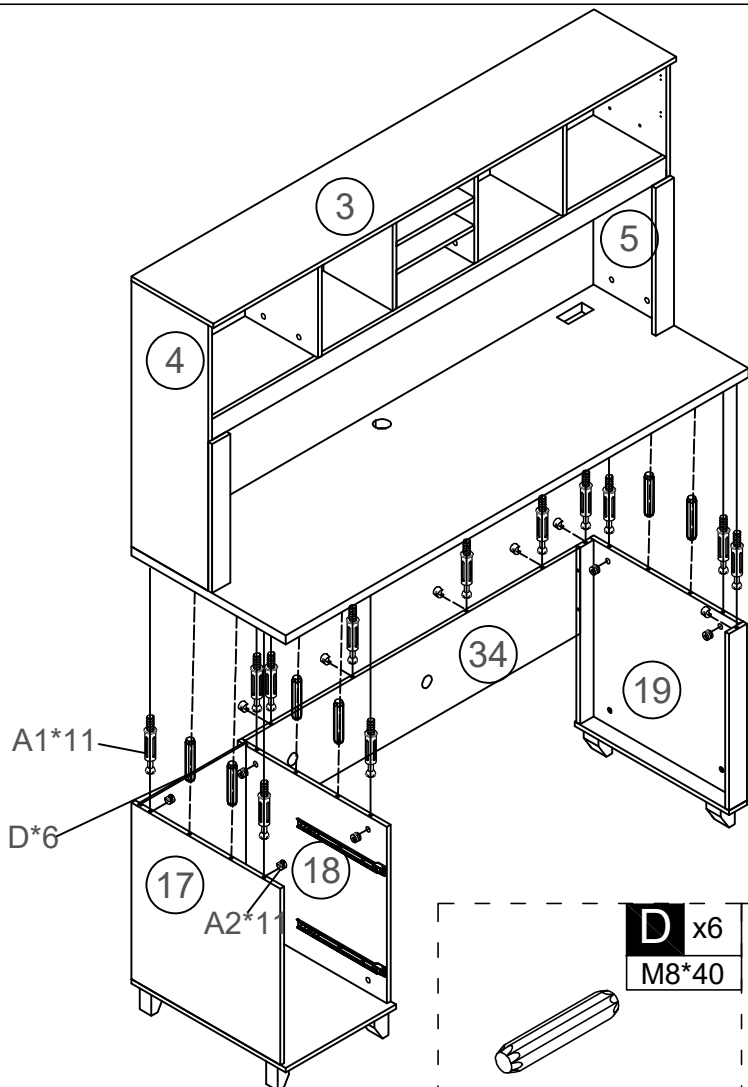
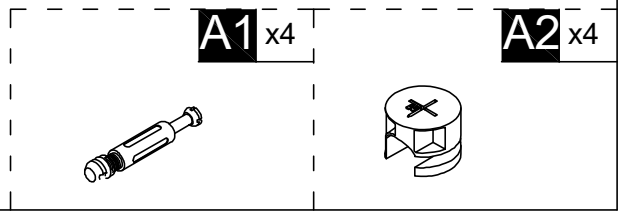
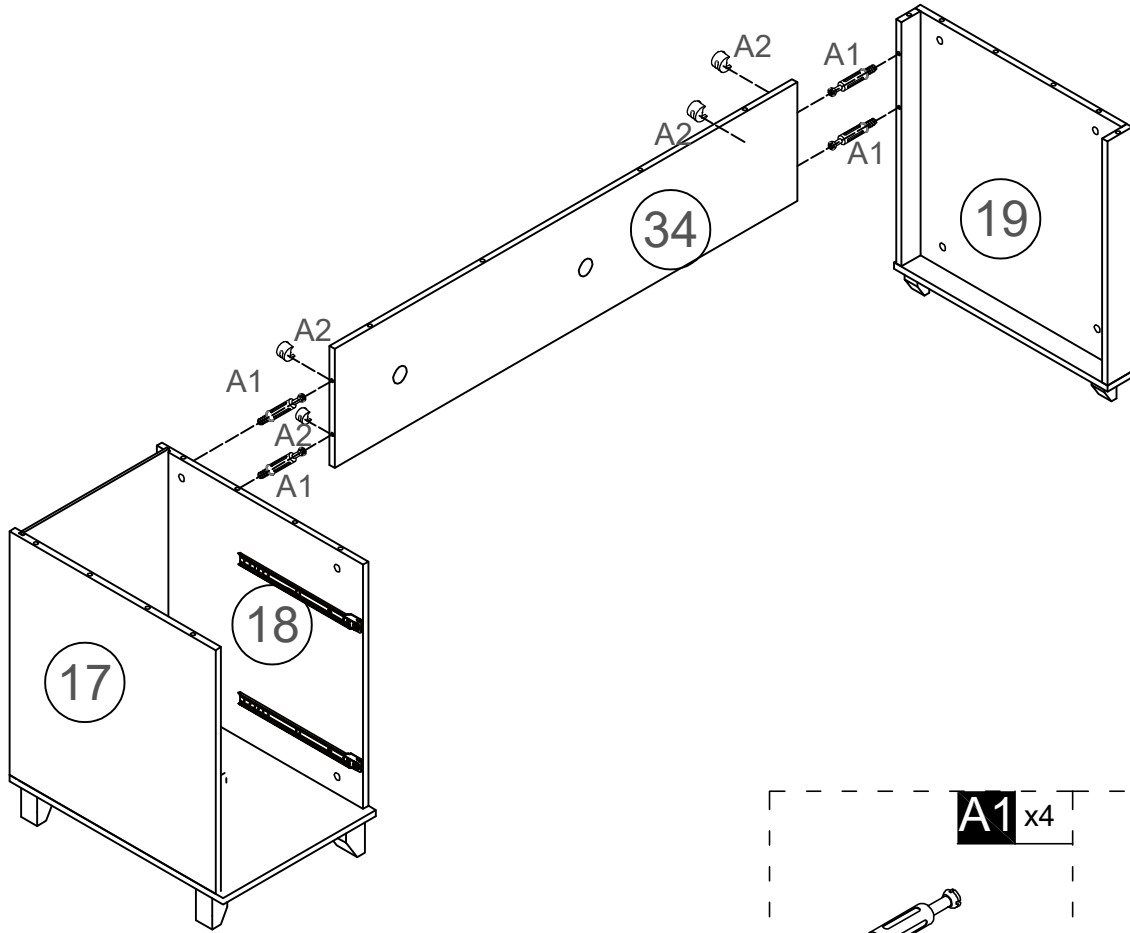


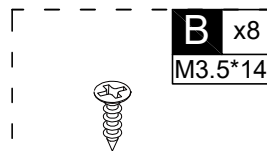
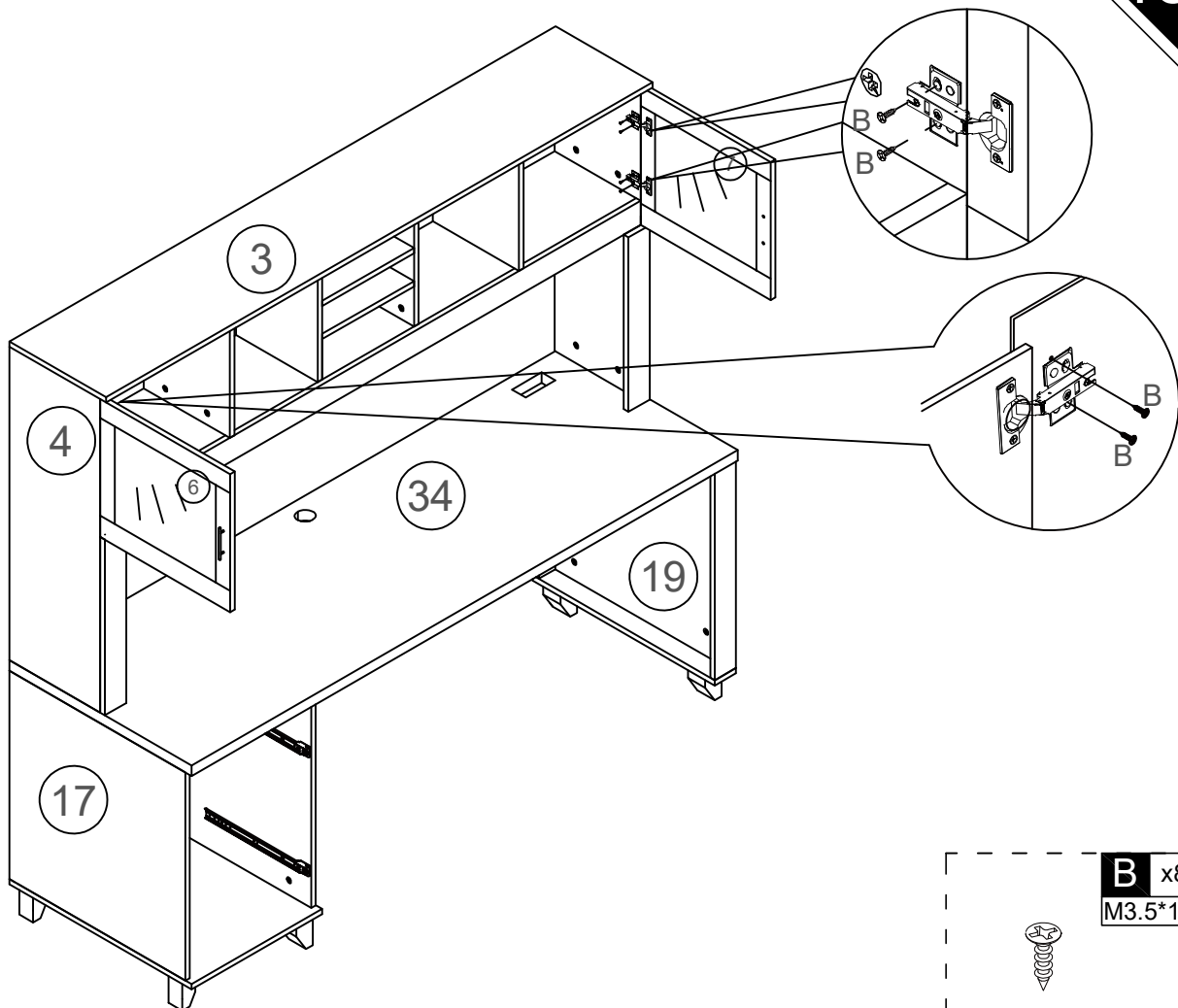
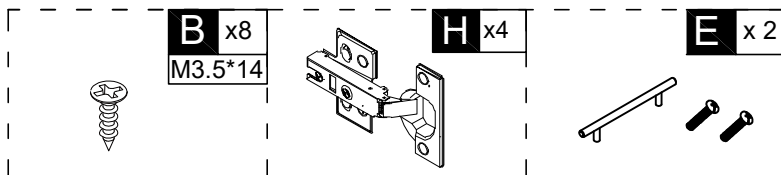
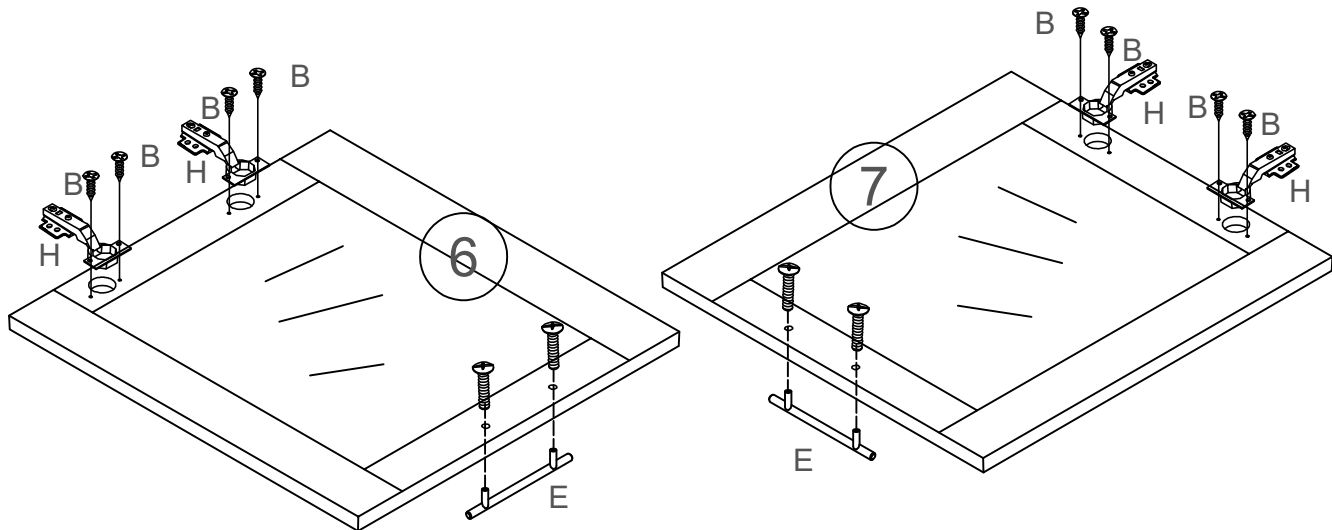


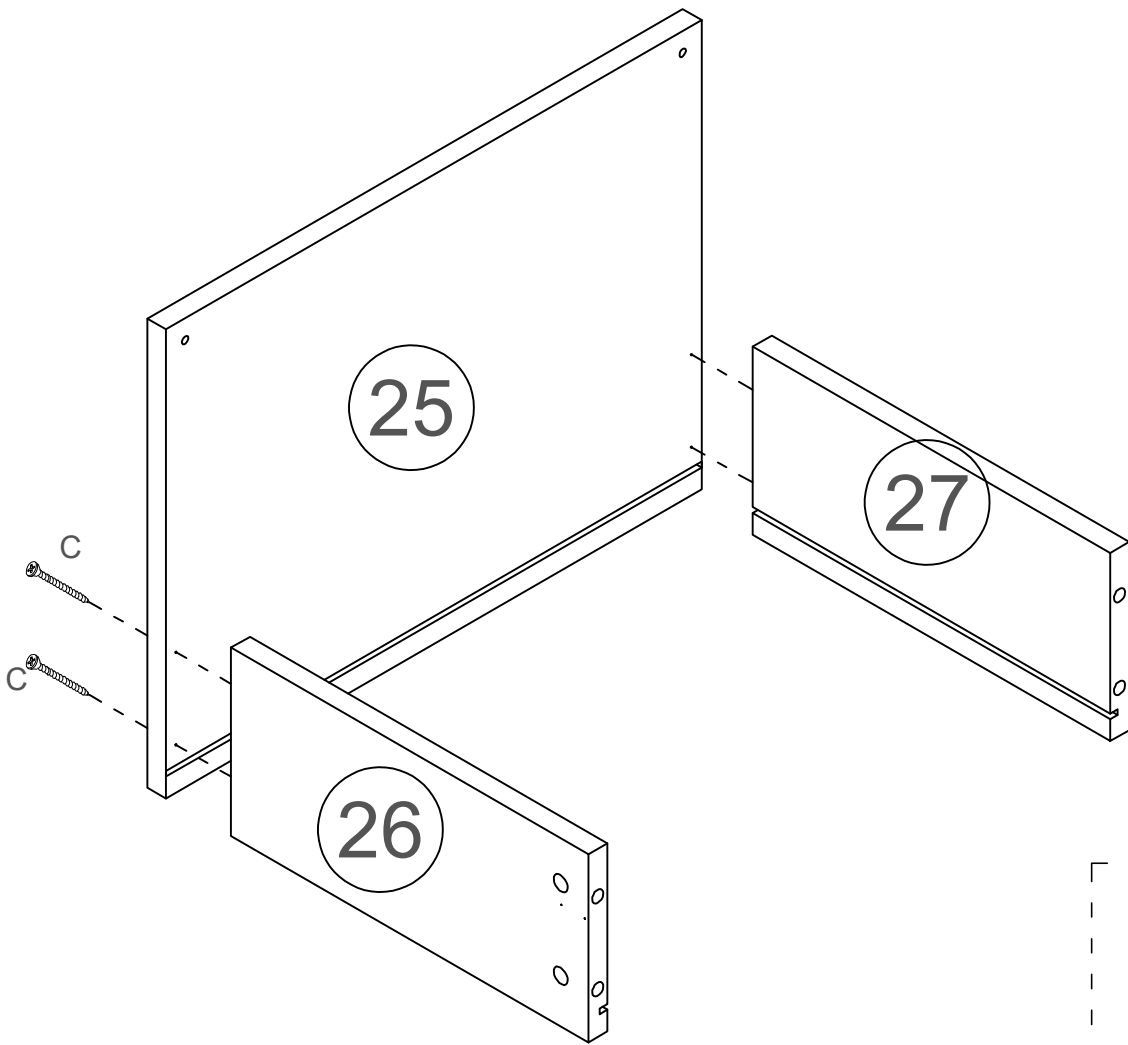
| | | |
|----------------------|--------------|--------------|
| D x3 M8*40 | A1 x5 | A2 x5 |
| | | |



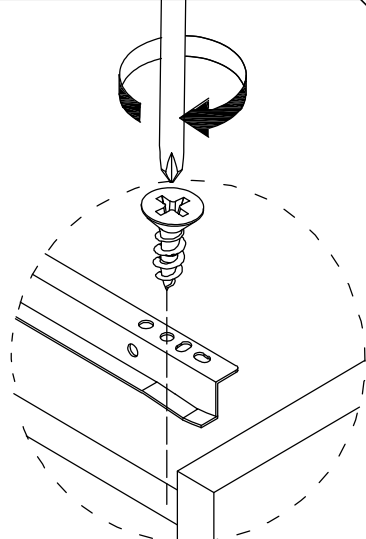
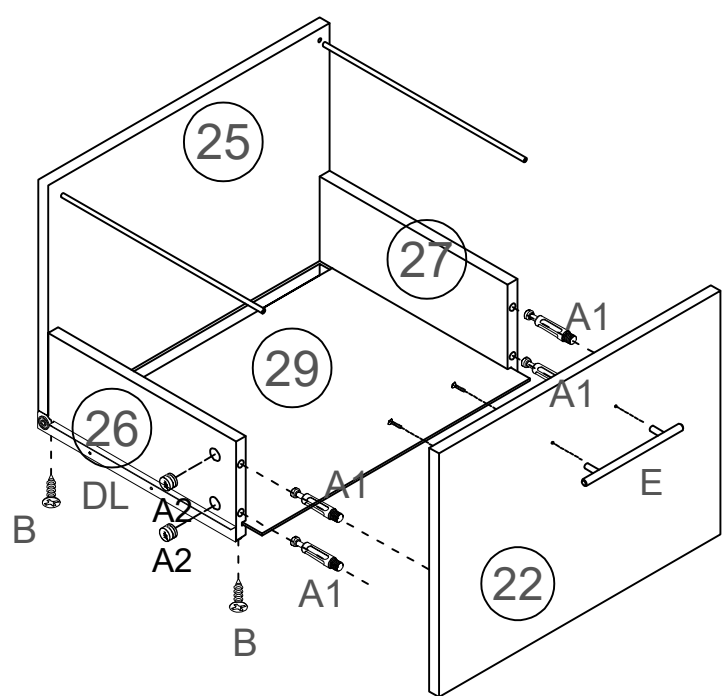
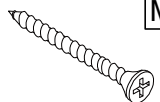
| | | | | |
|-------------|------------------------|----------------------|--------------|--------------|
| M x2 | C x4 M3.5*35 | D x2 M8*40 | A1 x4 | A2 x4 |
| | | | | |







C x4
M3.5*35



E x1



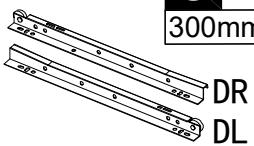
A1 x4



A2 x4

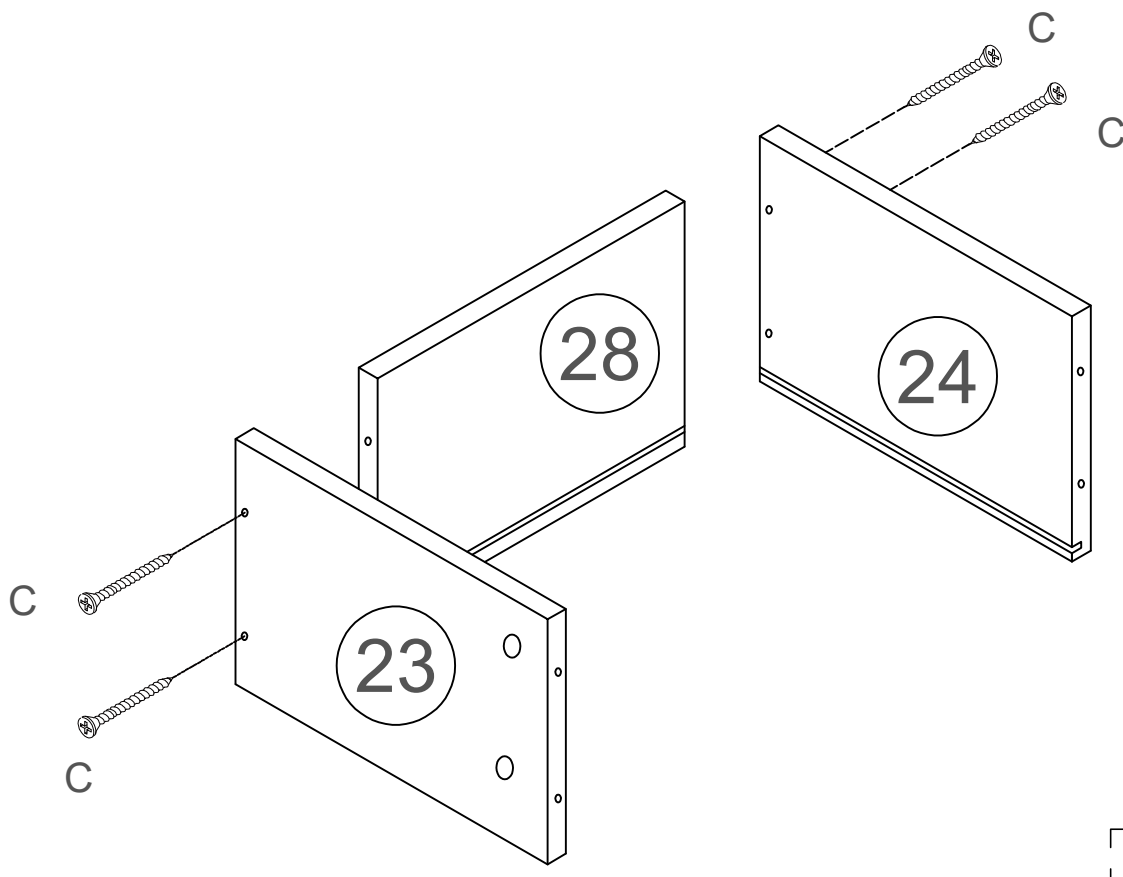


C x1
300mm

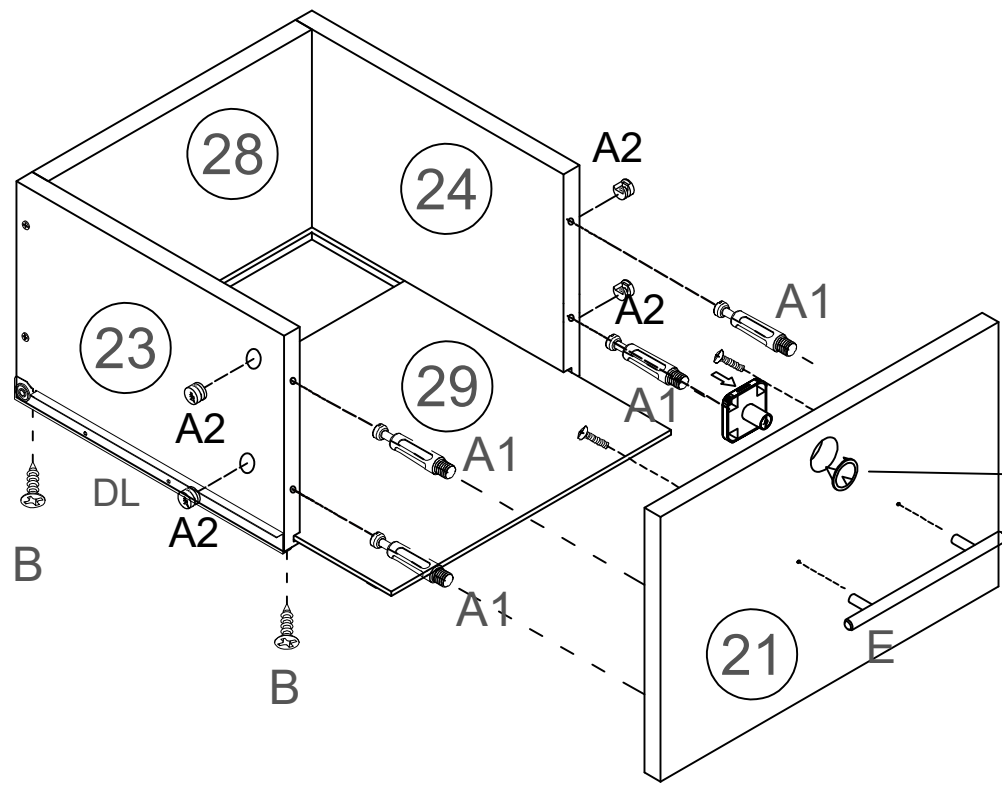
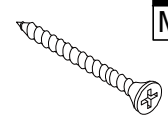


E x4
M3.5*14

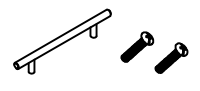




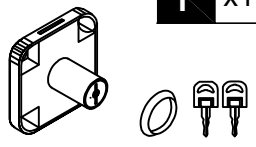
C x4
M3.5*35



E x1



F x1



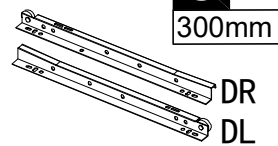
A1 x4



A2 x4



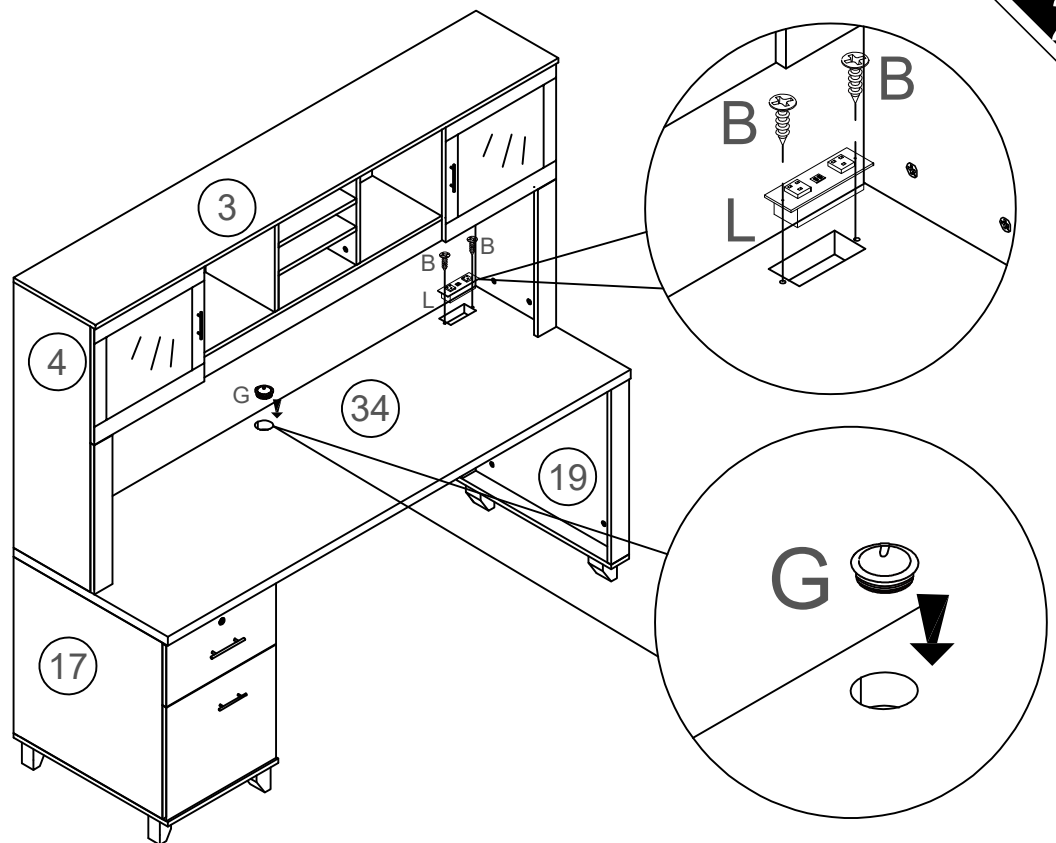
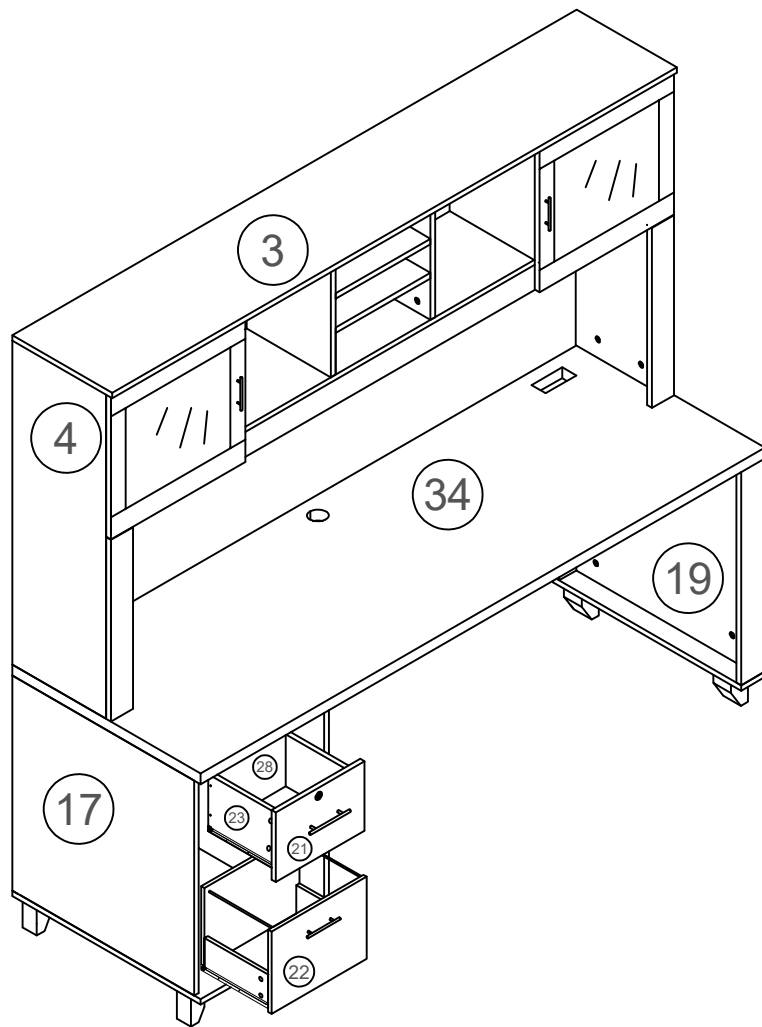
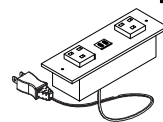
C x1
300mm

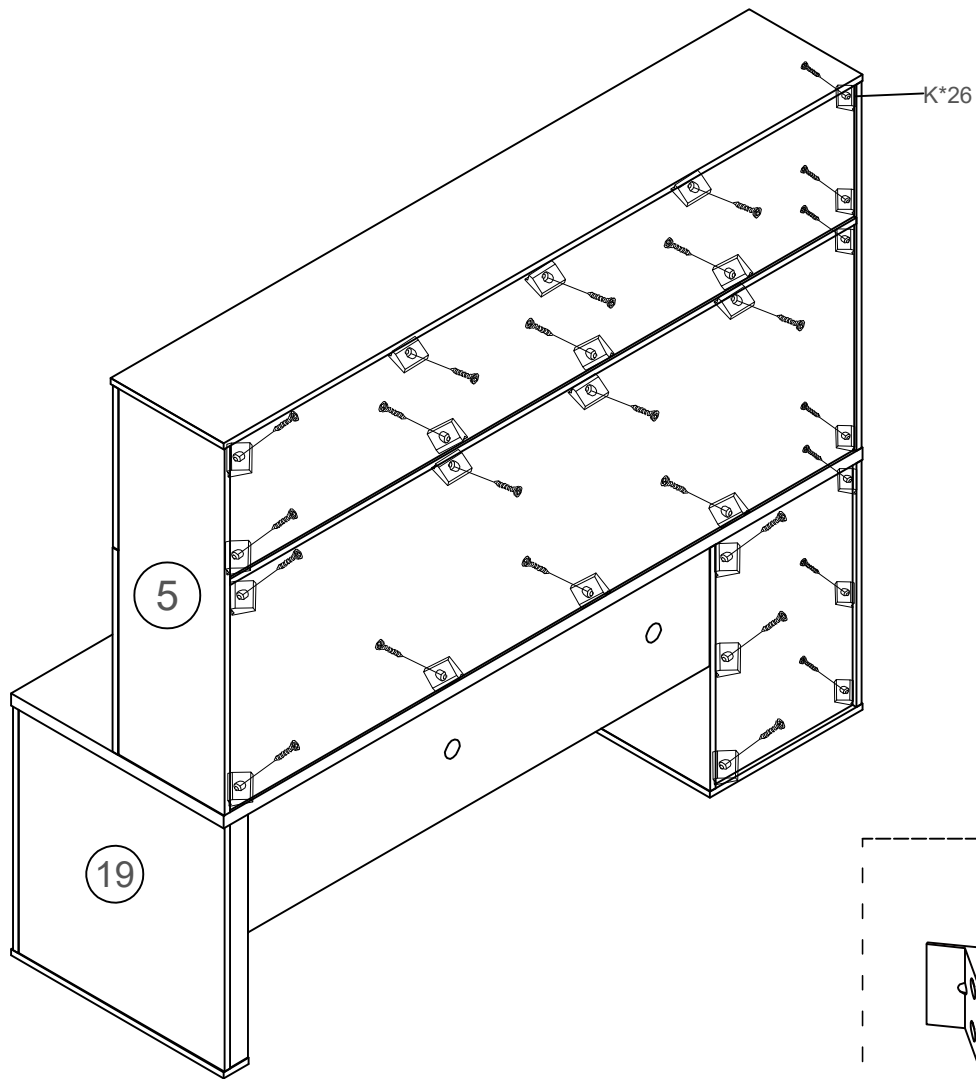


B x8
M3.5*14

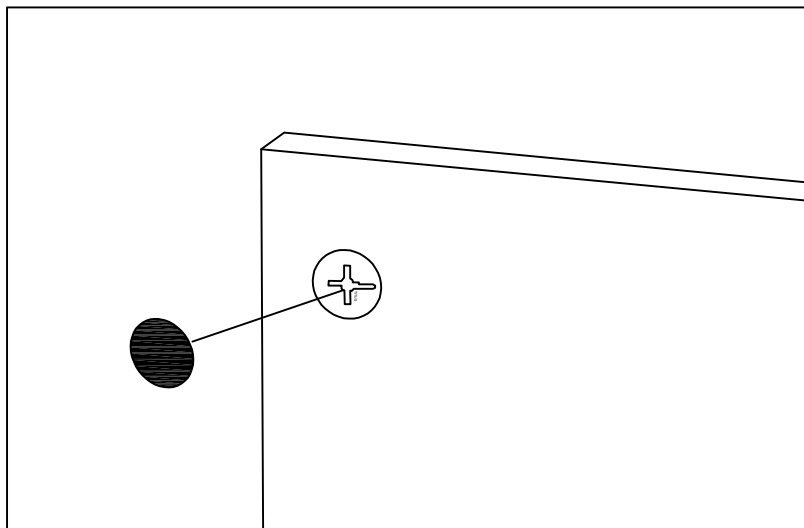
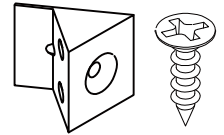


DR
DL

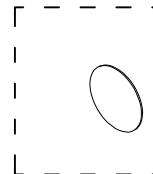
**G** x1**L** x1**B** x2
M3.5*14



K x26



O x86



EN: After installing the product, stick the number O on the perforated position