

# ASSEMBLY INSTRUCTION

Thank you for purchasing this quality product. Be sure to check all packing material carefully for small parts which may have come loose inside the carton during shipment. Separate, identify and count all parts and hardware. Compare with the parts list to be sure all parts are present.

**IMPORTANT : PLEASE READ INSTRUCTION BEFORE STARTING THE ASSEMBLY.**

**"DO NOT TIGHTEN SCREWS UNTIL COMPLETELY ASSEMBLED"**

**"DO NOT OVERTIGHT ANY HARDWARE"**

**WARNING : SMALL PARTS AND HARDWARE NOT FOR CHILDREN UNDER 3 YEARS. ADULT ASSEMBLY REQUIRED.**

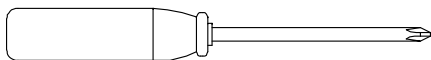
## TABLE OF CONTENTS

HARDWARES LIST	PAGE 2 - 3
PARTS LIST	PAGE 4 - 5
PARTS' LOCATION	PAGE 6
ASSEMBLY STEPS	PAGE 7 - 20
ASSEMBLY COMPLETED	PAGE 20

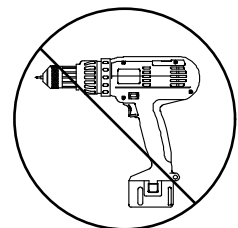
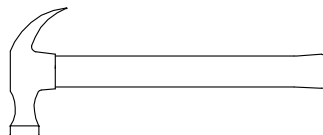
## ASSEMBLY TOOLS REQUIRED

Skip the power trip this time.

### 1. Screwdriver (not provide)




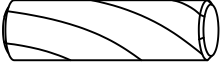
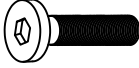



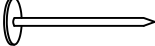


### 2. Hammer (not provide)



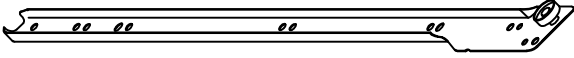
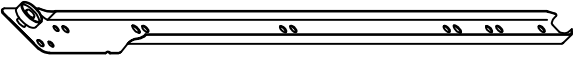


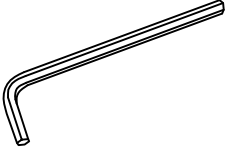
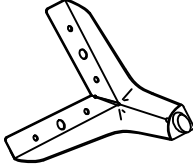
# ASSEMBLY INSTRUCTION

## HARDWARES LIST

ITEM	DESCRIPTION	DRAWING	QTY
A	MINIFIX CAM LOCK		27 PCS
B	MINIFIX CAM BOLT		27 PCS
C	WOOD DOWEL (M8 x 25MM)		14 PCS
D	WOOD DOWEL (M6 x 25MM)		16 PCS
E	JCBC SCREW M6 x 16MM		8 PCS
F	FLAT WASHER M6 x 19MM		8 PCS
G	TRUSS M-SCREW (20MM)		4 PCS
H	HANDLE		2 PCS
I	6/8" NAIL		16 PCS

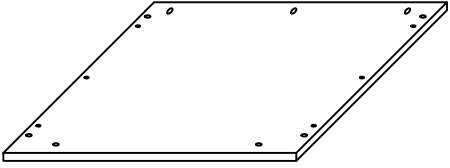
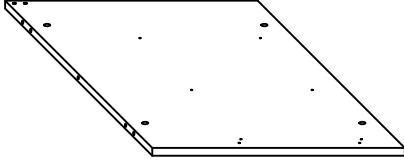
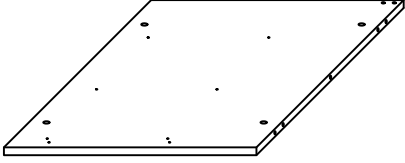
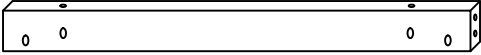

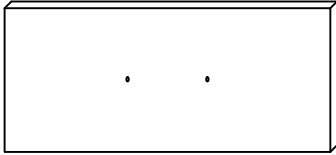
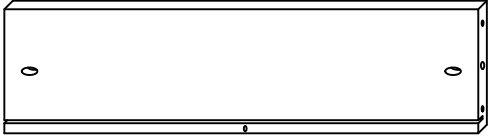
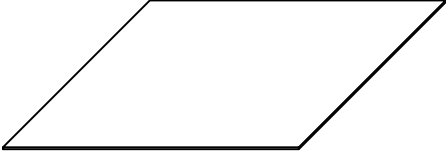
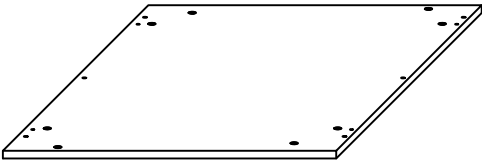
# ASSEMBLY INSTRUCTION

## HARDWARES LIST

ITEM	DESCRIPTION	DRAWING	QTY
J	LEFT DRAWER SLIDE		2 PCS
K	RIGHT DRAWER SLIDE		2 PCS
L	CSK SCREW M3 x 10mm		16 PCS
M	PLASTIC STRIP (H SHAPE)		1 PC
N	M4 ALLEN KEY (65MM)		1 PC
O	METAL SUPPORT LEG		4 PCS

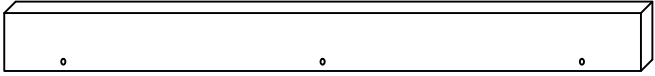
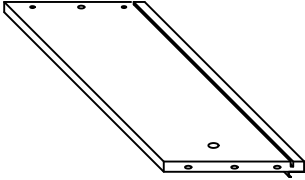
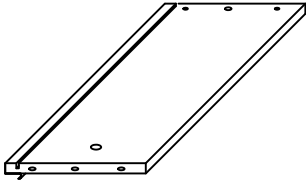
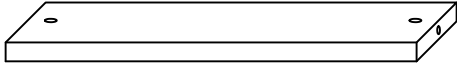
# ASSEMBLY INSTRUCTION

## PARTS LIST

ITEM	DESCRIPTION	DRAWING	QTY
N1	TOP PANEL		1 PC
N2	LEFT PANEL		1 PC
N3	RIGHT PANEL		1 PC
N4	TOP SUPPORT RAIL		1 PC
N6	BACK PANEL		2 PCS
N7	DRAWER HEAD		2 PCS
N8	DRAWER BACK PANEL		2 PCS
N9	DRAWER BOTTOM PANEL		2 PCS
N10	BOTTOM PANEL		1 PC

# ASSEMBLY INSTRUCTION

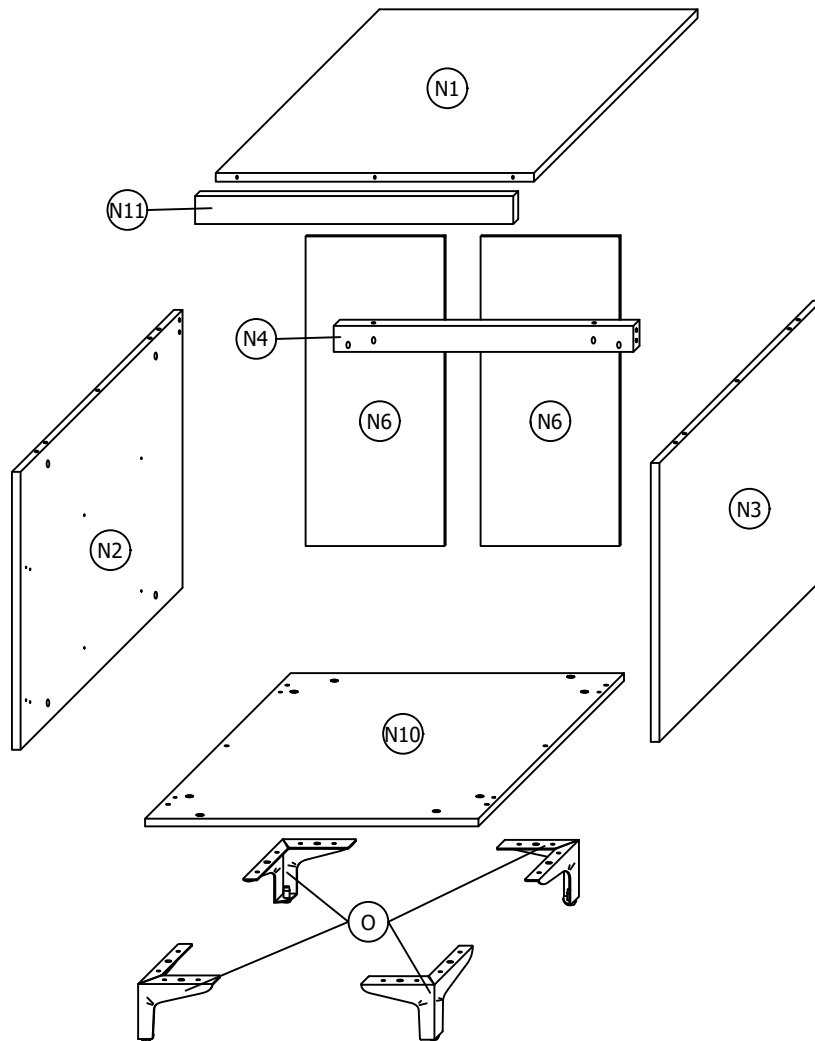
## PARTS LIST

ITEM	DESCRIPTION	DRAWING	QTY
N11	TOP FRAME		1 PC
19	DRAWER LEFT PANEL		2 PCS
20	DRAWER RIGHT PANEL		2 PCS
21	DRAWER BOTTOM SUPPORT RAIL		2 PCS

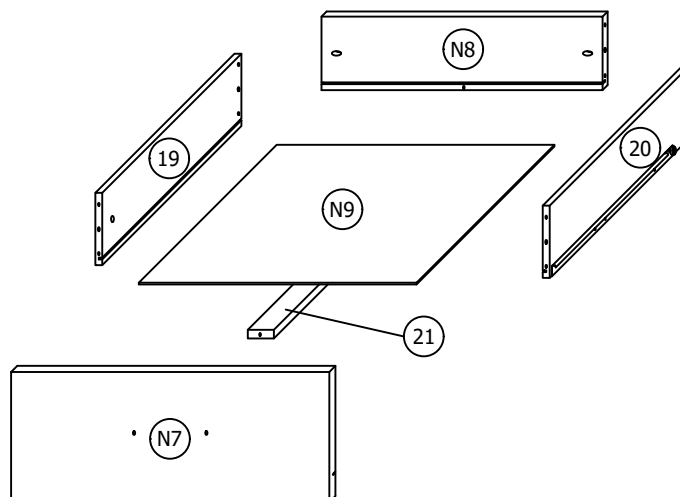
# ASSEMBLY INSTRUCTION

## PARTS ' LOCATION

NIGHTSTAND x 1 PC



DRAWER x 2 PCS

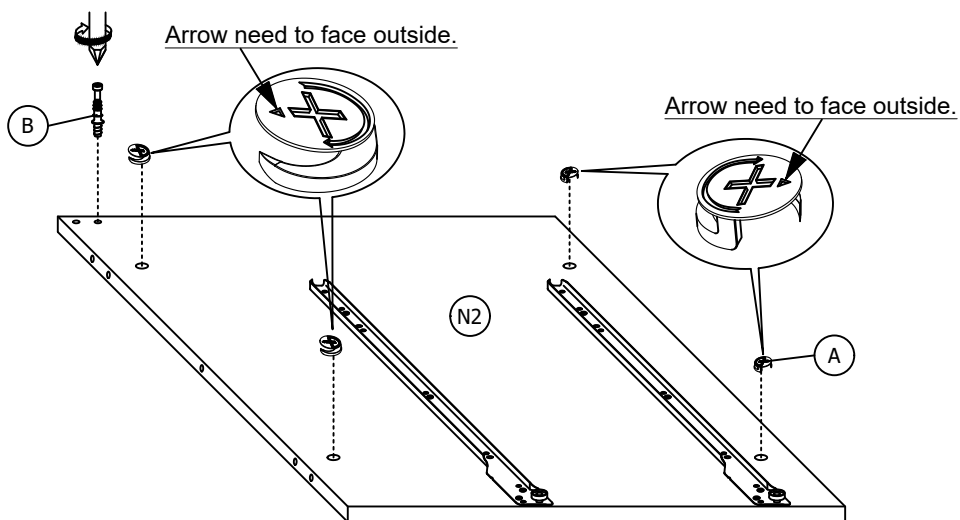
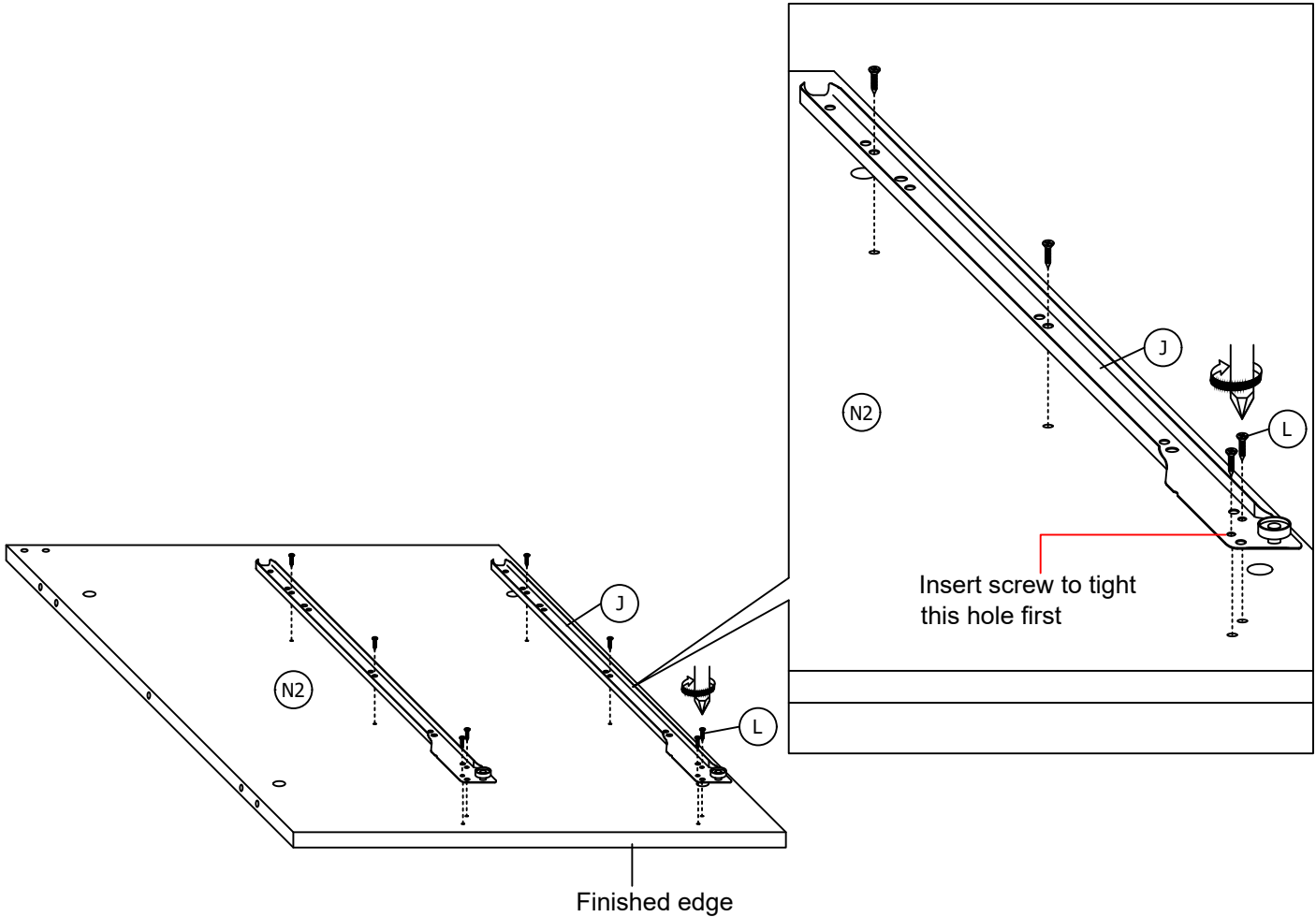


# ASSEMBLY INSTRUCTION

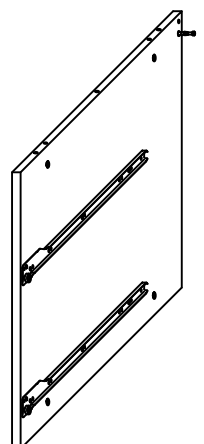
## ASSEMBLY STEPS

### STEP 1

Fix the 2 pieces (J) to the (N2) by using 8 pieces (L). Then insert 4 pieces (A) and 1 piece (B) as shown.



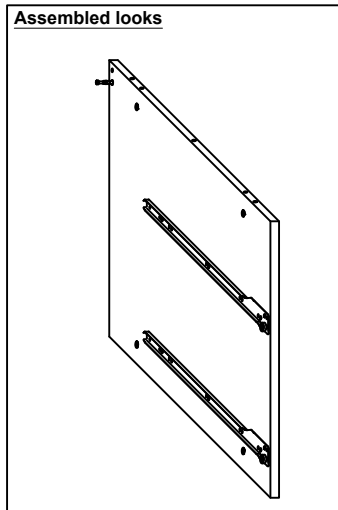
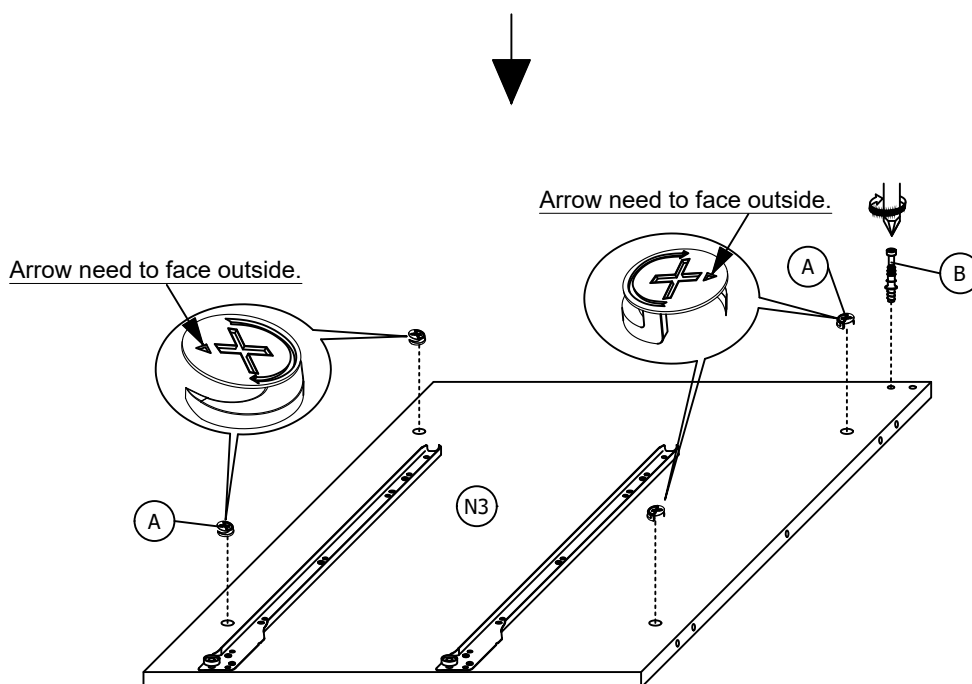
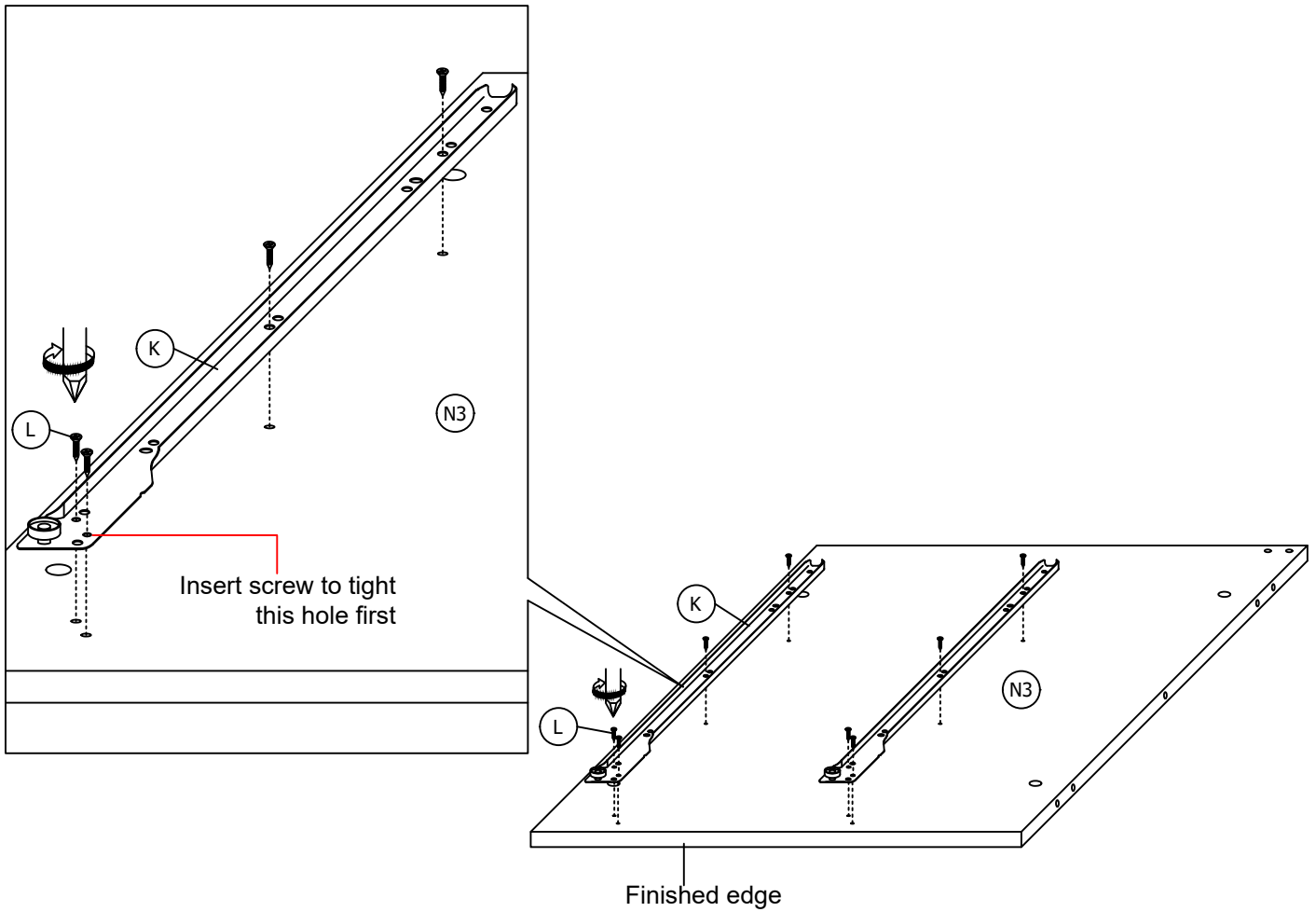
### Assembled looks



# ASSEMBLY INSTRUCTION

## STEP 2

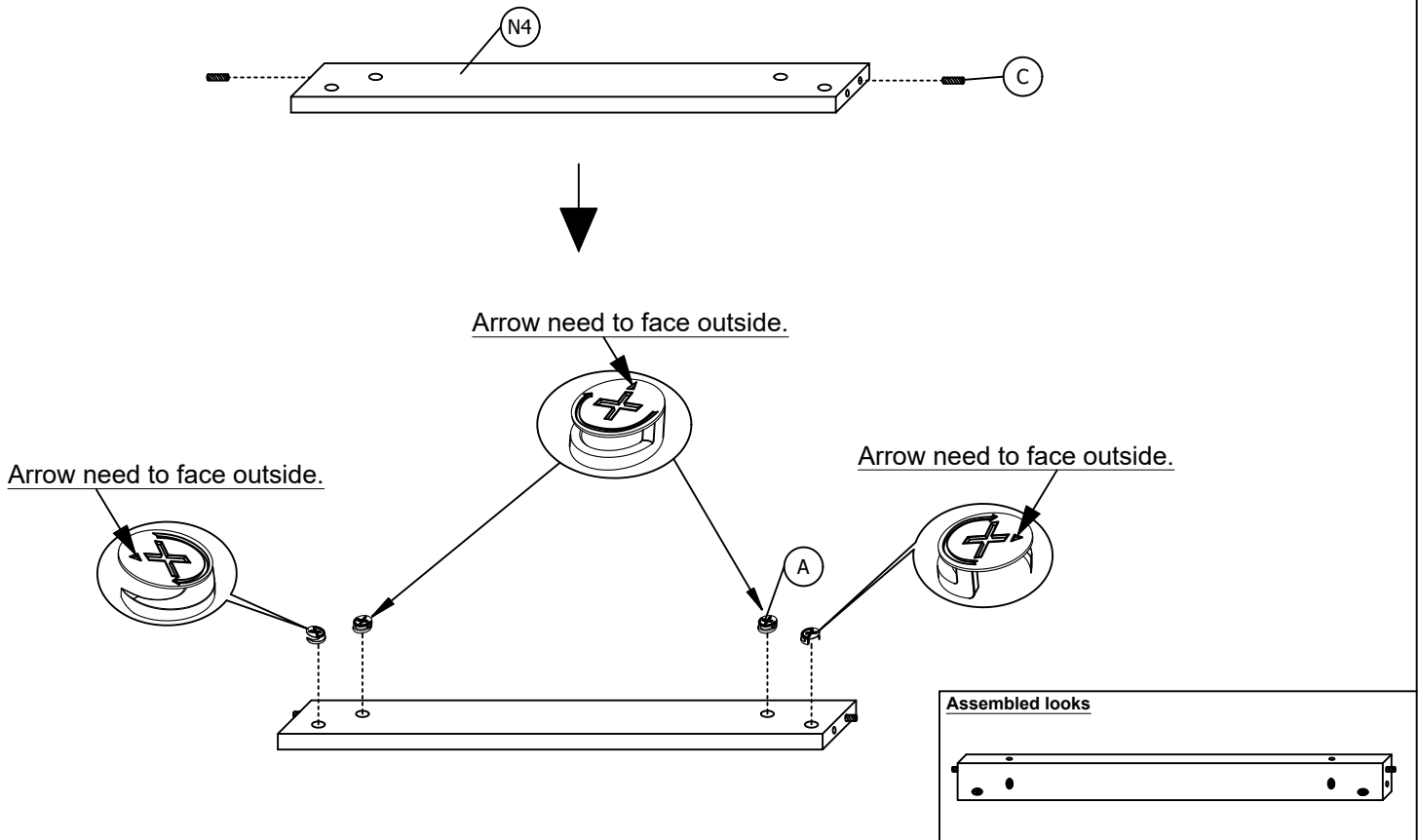
Fix the 2 pieces (K) to the (N3) by using the remaining 8 pieces (L). Then insert 4 pieces (A) and 1 piece (B) as shown.



# ASSEMBLY INSTRUCTION

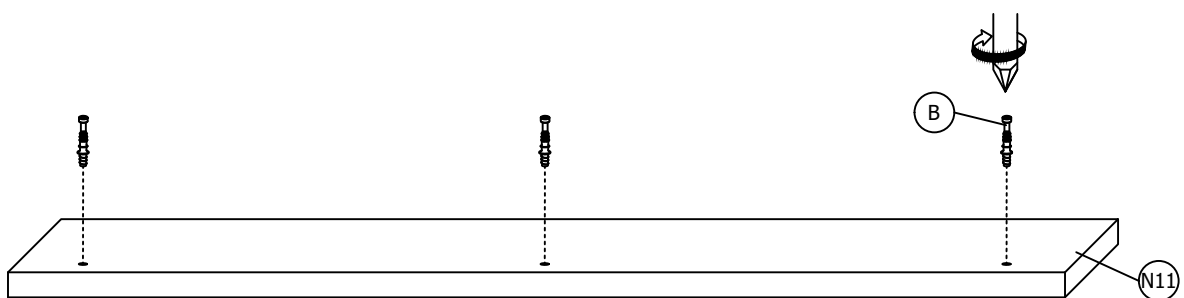
## STEP 3

Insert 4 pieces (A) and 2 pieces (C) to the (N4) as shown.



## STEP 4

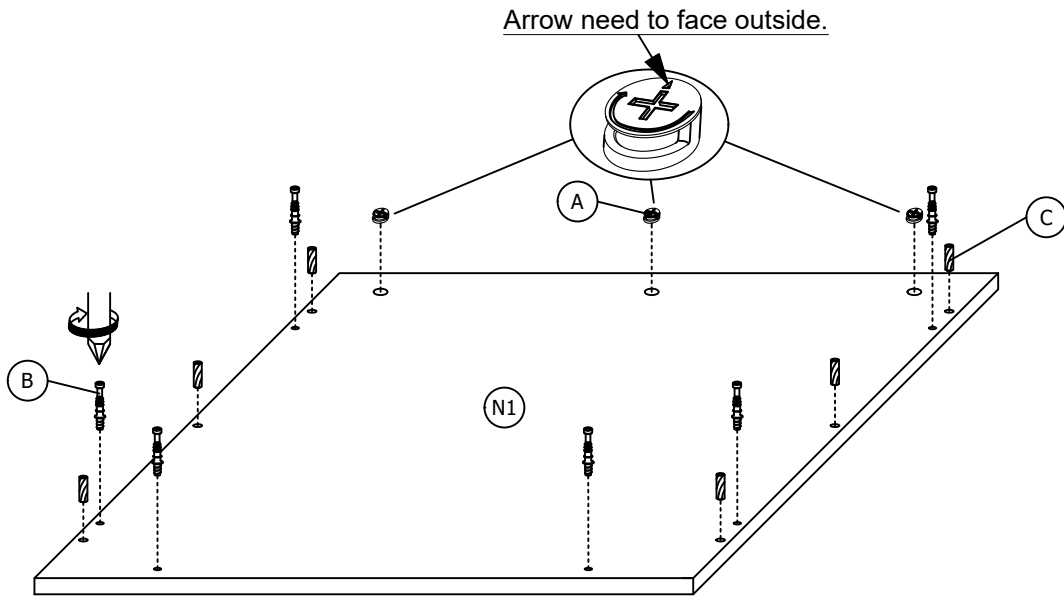
Insert 3 pieces (B) to the (N11) as shown.



# ASSEMBLY INSTRUCTION

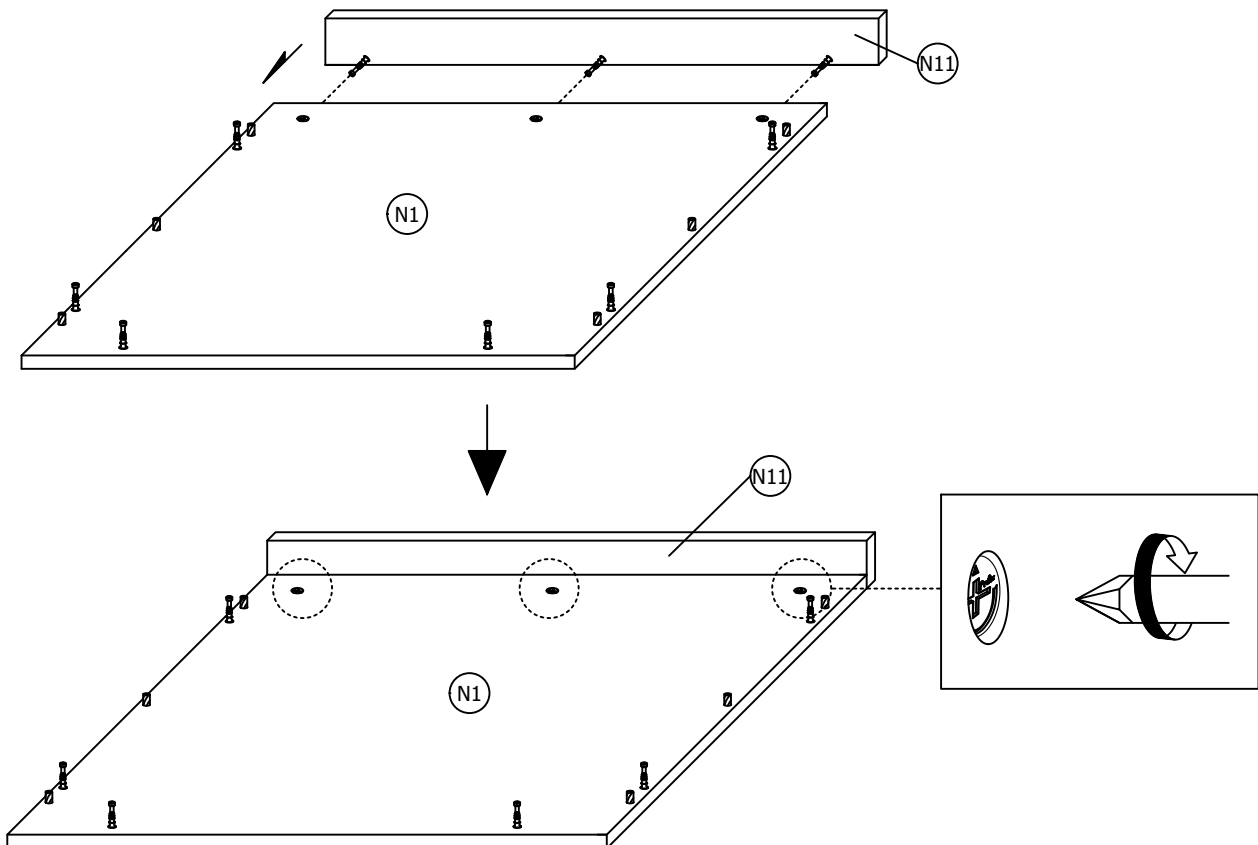
## STEP 5

Insert 3 pieces (A), 6 pieces (B) and (C) to the (N1) as shown.



## STEP 6

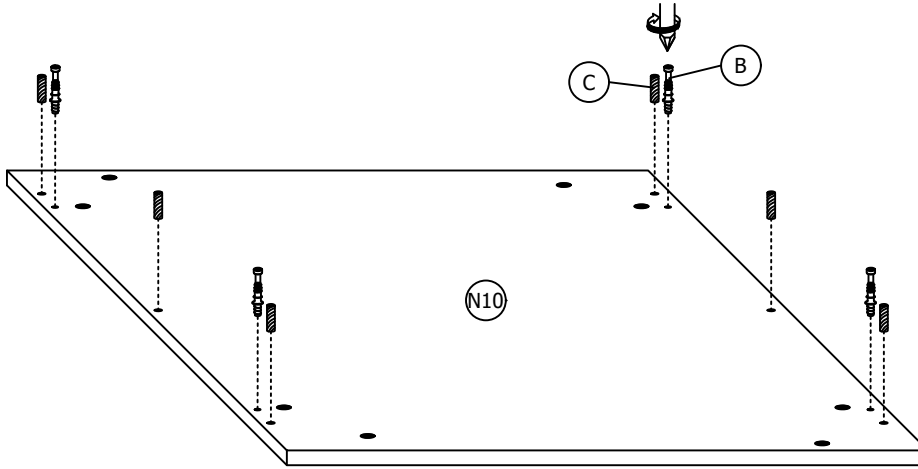
Combine the (N1) and (N11) then tighten the 3 pieces (A)-(pre insert in previous step) as shown.



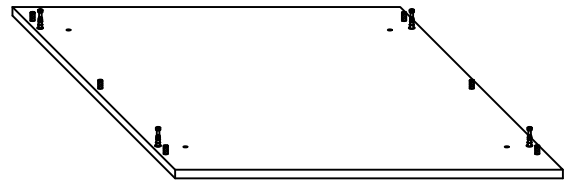
# ASSEMBLY INSTRUCTION

## STEP 7

Insert 4 pieces (B) and 6 pieces (C) to the (N10) as shown.

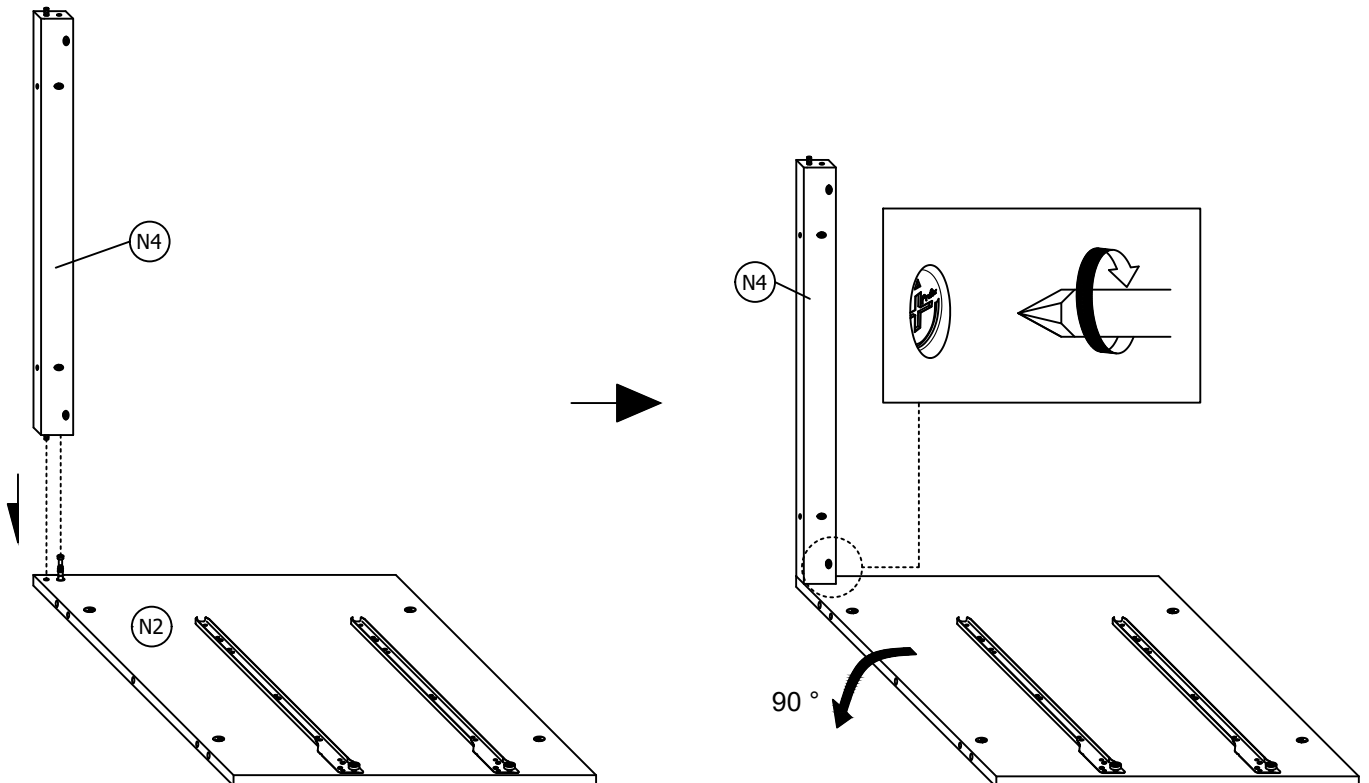


Assembled looks



## STEP 8

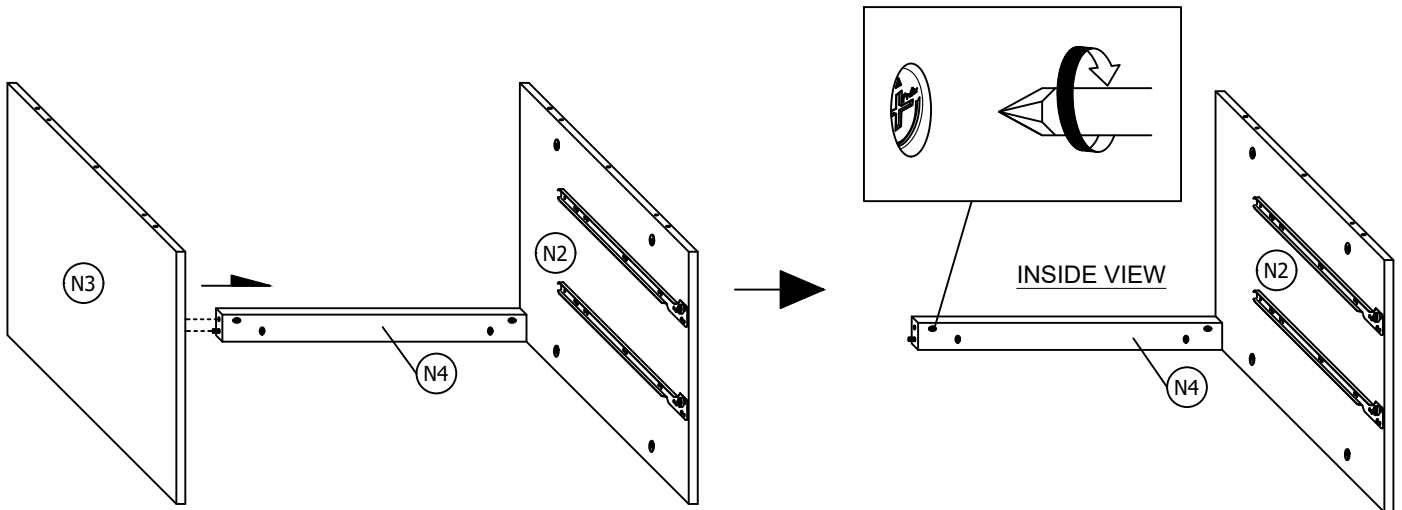
Combine the (N4) to the (N2) and tighten the 1 piece (A)-(pre insert in step 3) as shown.



# ASSEMBLY INSTRUCTION

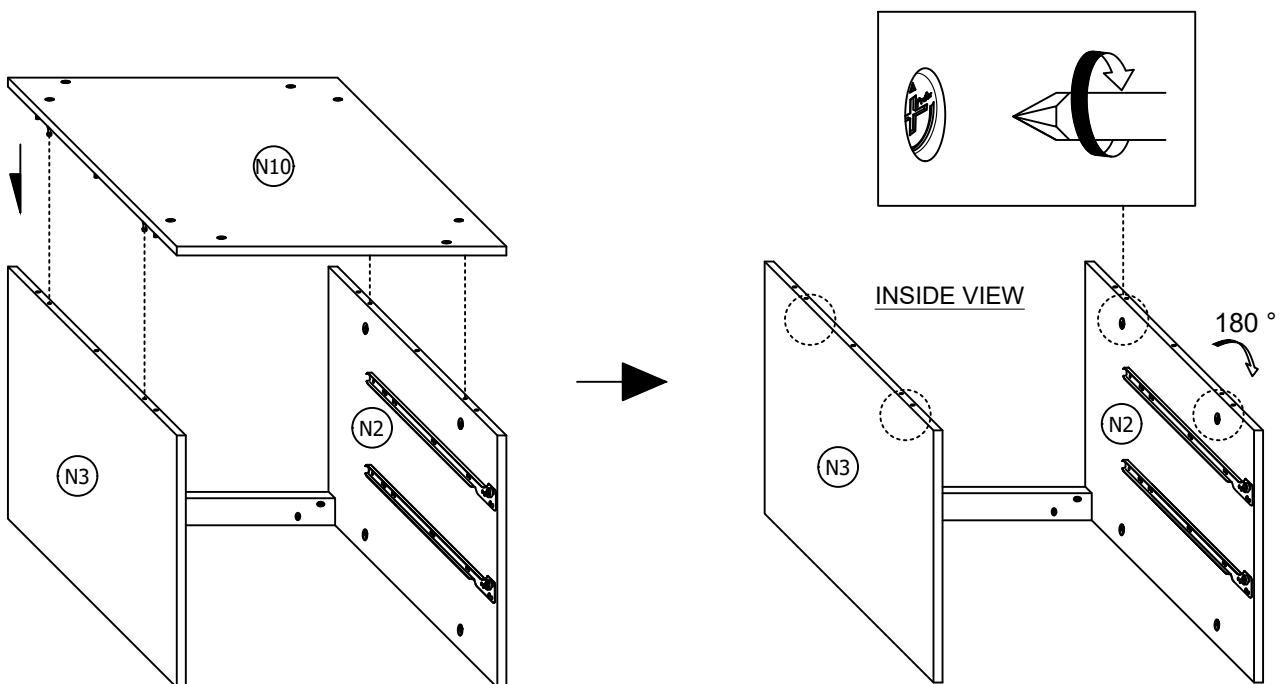
## STEP 9

Combine the (N3) to the (N4) and tighten the another 1 piece (A)-(pre insert in step 3) as shown.



## STEP 10

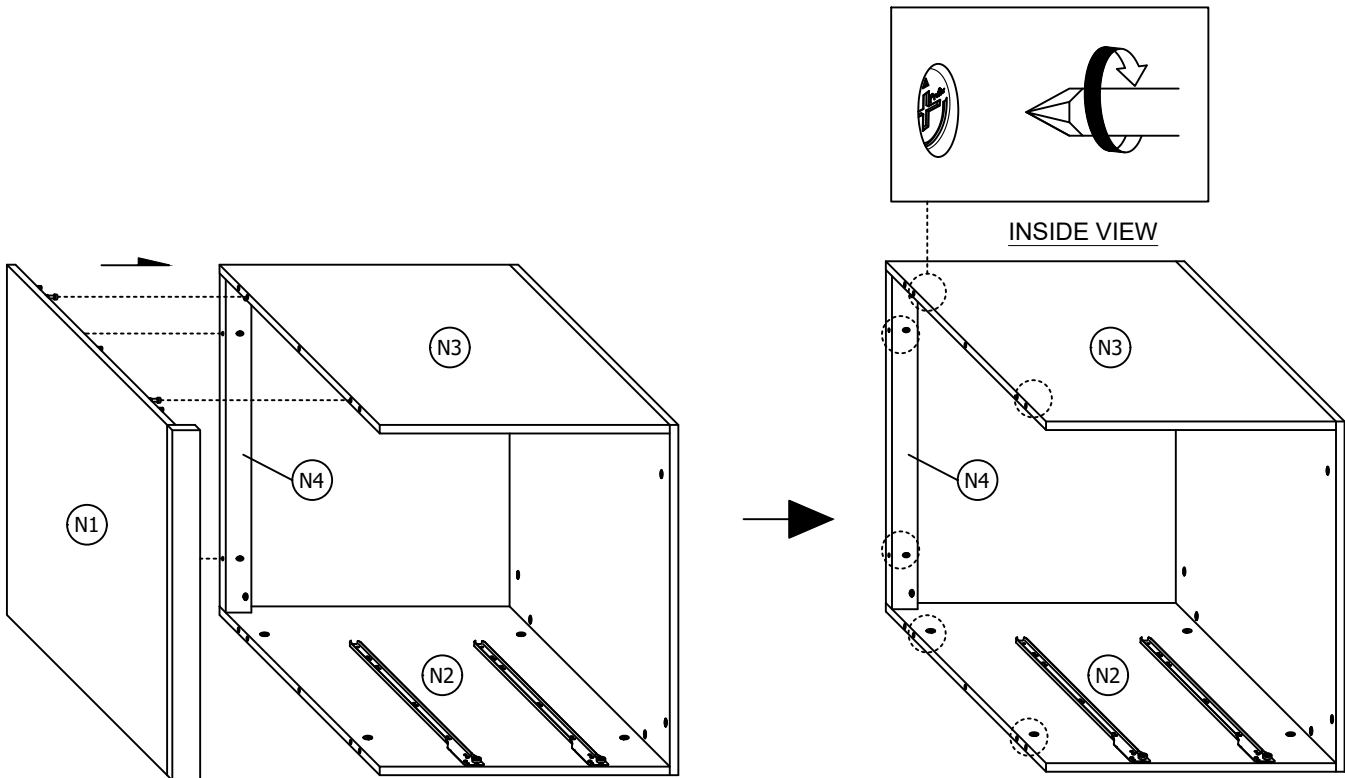
Combine the (N10) to the (N2) and (N3) then tighten the 4 pieces (A)-(pre insert in step 1 and 2) as shown.



# ASSEMBLY INSTRUCTION

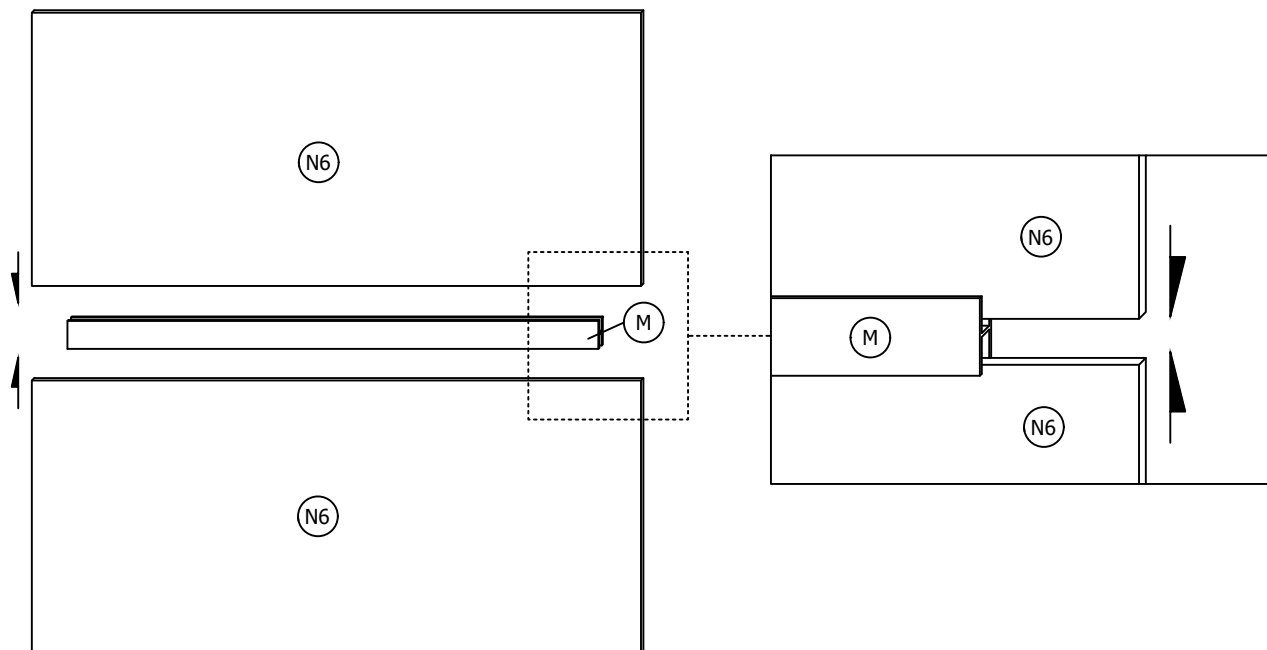
## STEP 11

Combine the (N1) to the frame then tighten the remaining 6 pieces (A)-(pre insert in step 1 to 3) as shown.



## STEP 12

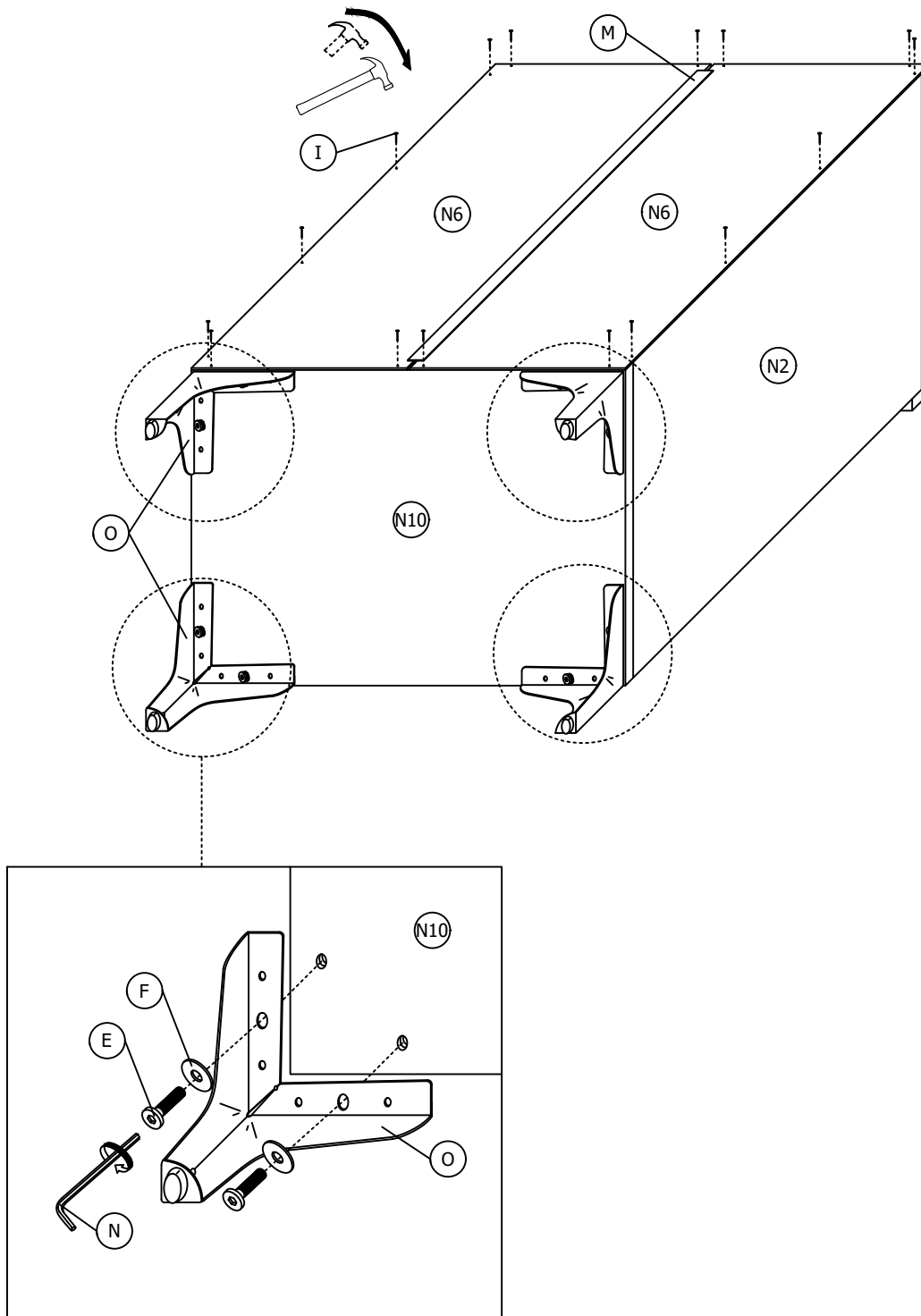
Put the (N6) to the gap of (M) as shown. Direction of the side with colored paper must be the same.



# ASSEMBLY INSTRUCTION

## STEP 13

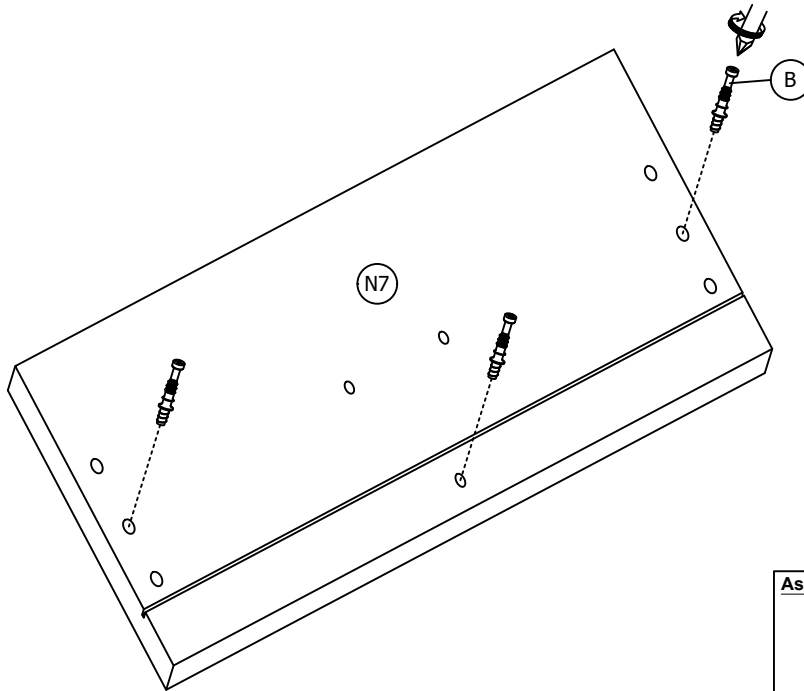
Insert the 16 pieces (I) to fix the (N6) as shown. Colored paper face to outside.  
To prevent blocking (N1) and (N10), make sure the (M) at the middle of (N6), do not over high or lower.  
Insert the 8 pieces (E),(F) to combine (O) to the (N10).



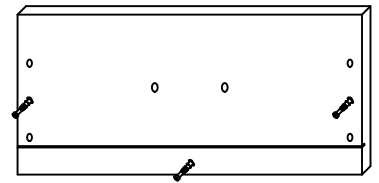
# ASSEMBLY INSTRUCTION

## STEP 14

Insert 3 pieces (B) to the (N7) as shown. This step needs to be **done twice**.

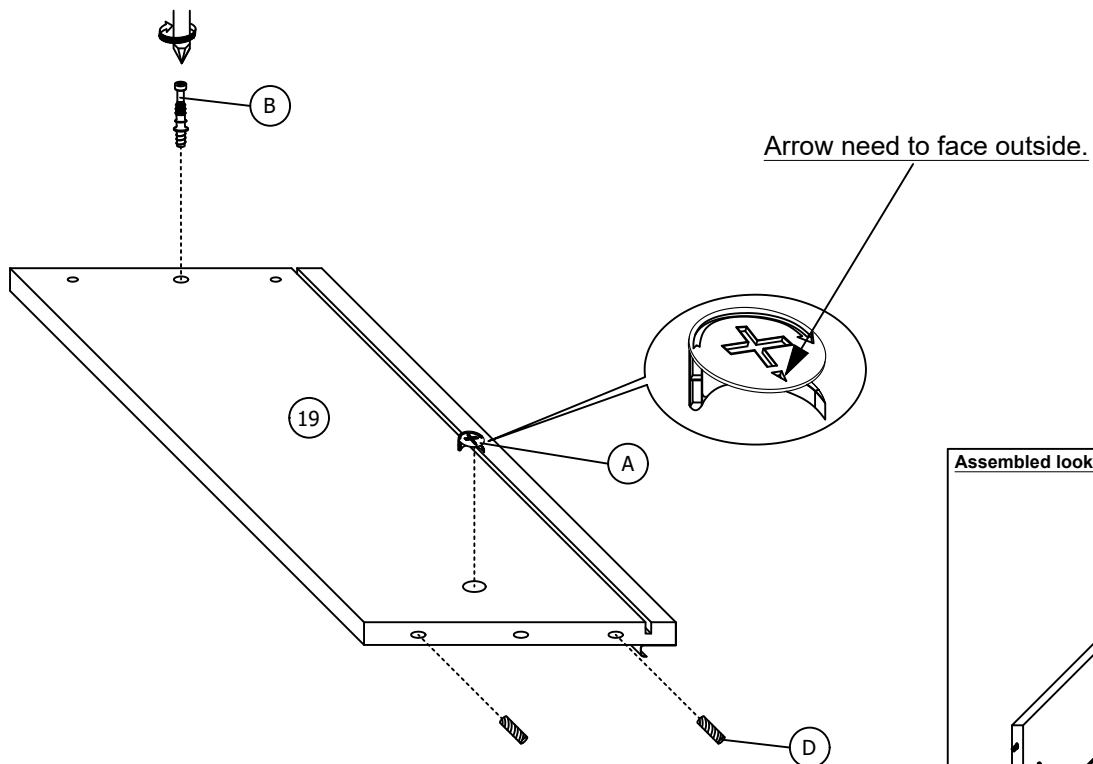


Assembled looks

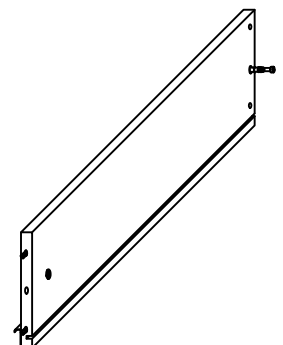


## STEP 15

Insert 1 piece (A), (B) and 2 pieces (D) to (19) as shown. This step needs to be **done twice**.



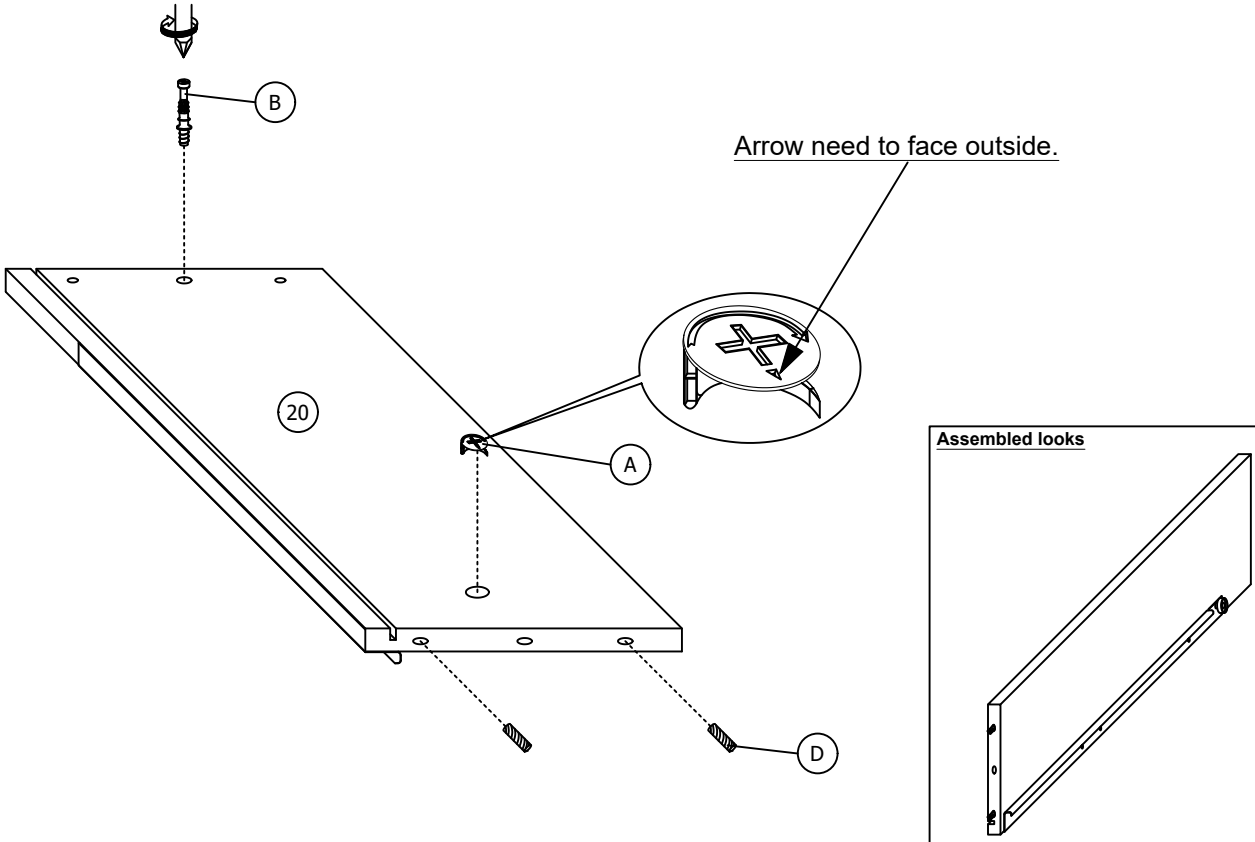
Assembled looks



# ASSEMBLY INSTRUCTION

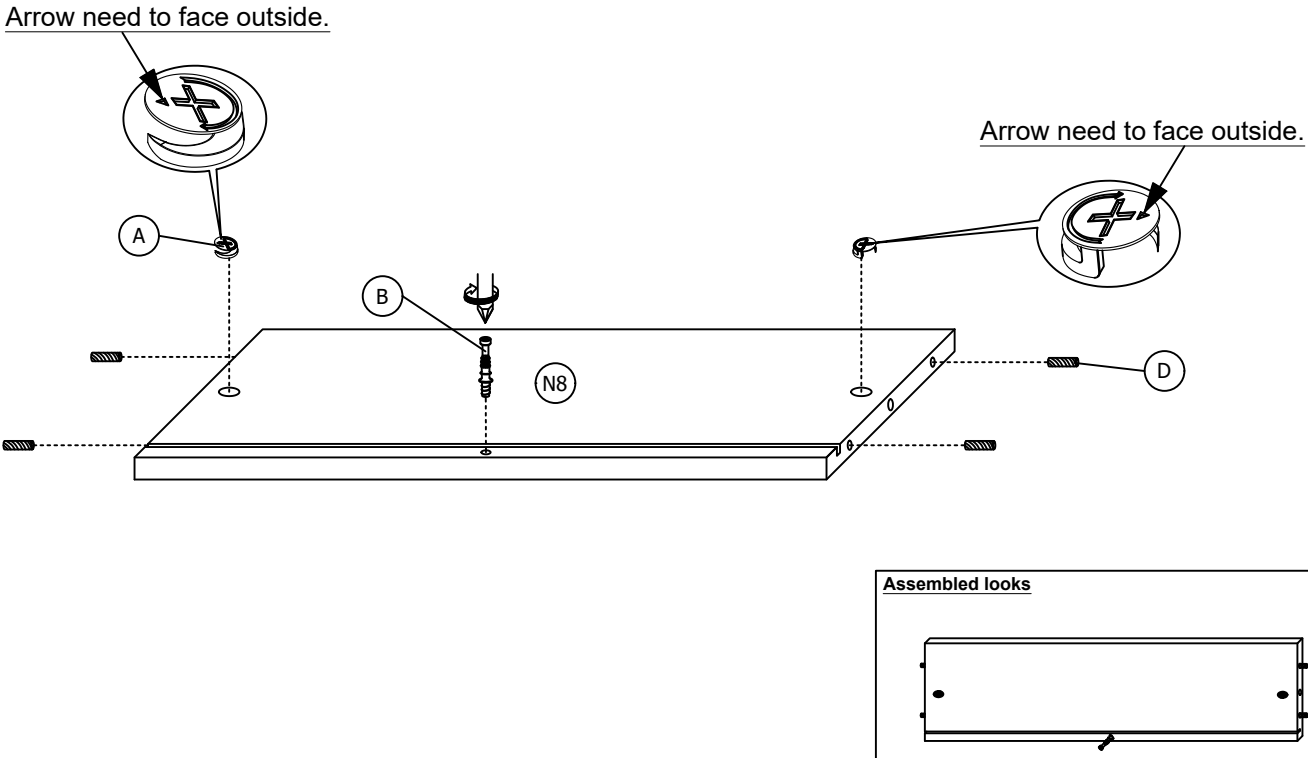
## STEP 16

Insert 1 piece (A),(B) and 2 pieces (D) to (20) as shown.This step needs to be **done twice**.



## STEP 17

Insert 2 pieces (A) , 1 piece (B) and 4 pieces (D) to (N8) as shown.This step needs to be **done twice**.

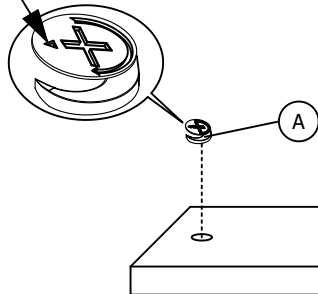


# ASSEMBLY INSTRUCTION

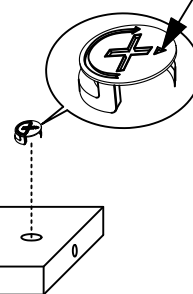
## STEP 18

Insert 2 pieces (A) to (21) as shown. This step needs to be **done twice**.

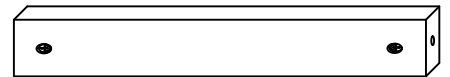
Arrow need to face outside.



Arrow need to face outside.

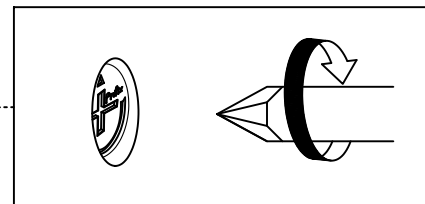
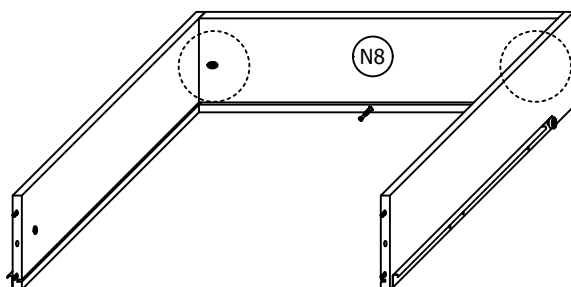
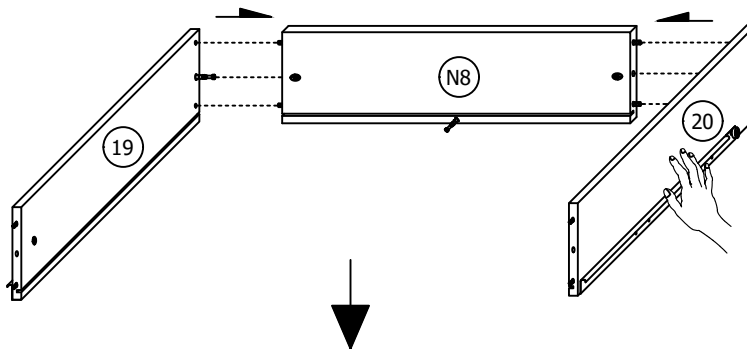


Assembled looks



## STEP 19

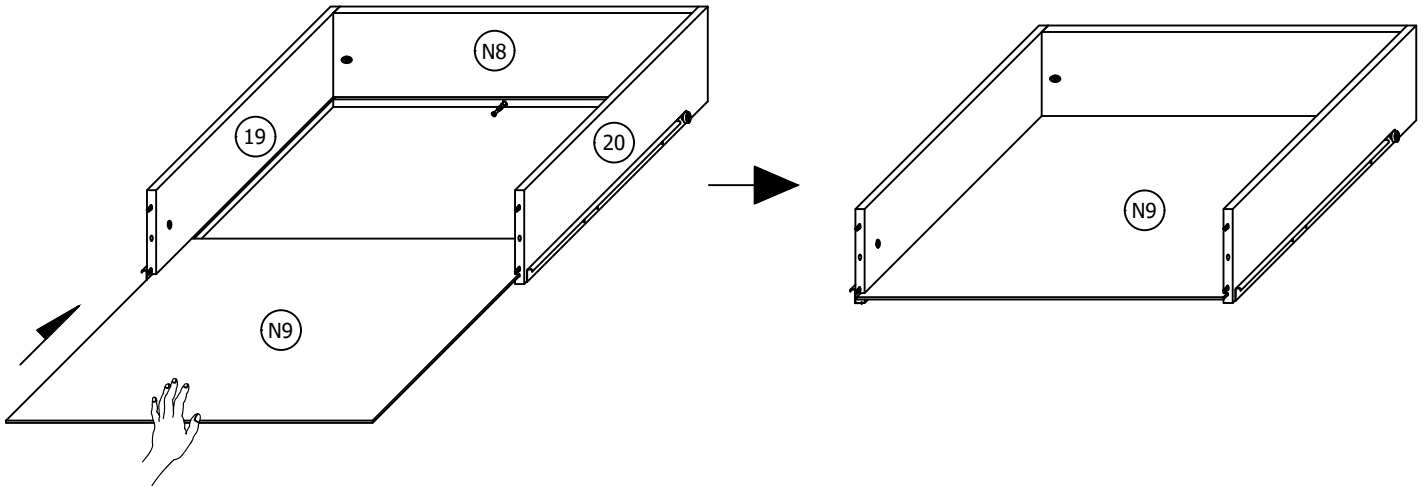
Combine the (19) and (20) to the (N8) . Then tighten the 2 pieces (A)-(pre-insert in step 17) as shown. This step needs to be **done twice**.



# ASSEMBLY INSTRUCTION

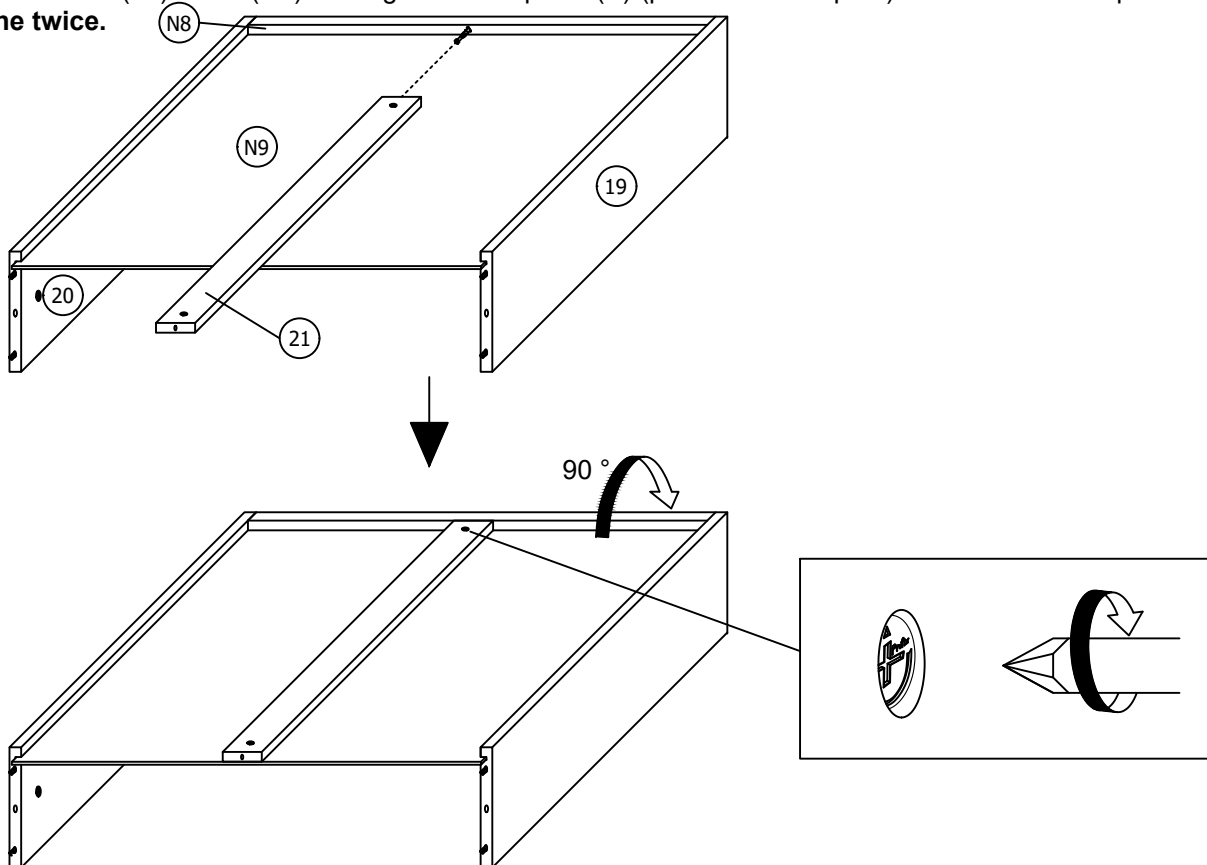
## STEP 20

Put the (N9) into the gap of (19),(20) and (N8) as shown. This step needs to be **done twice**.



## STEP 21

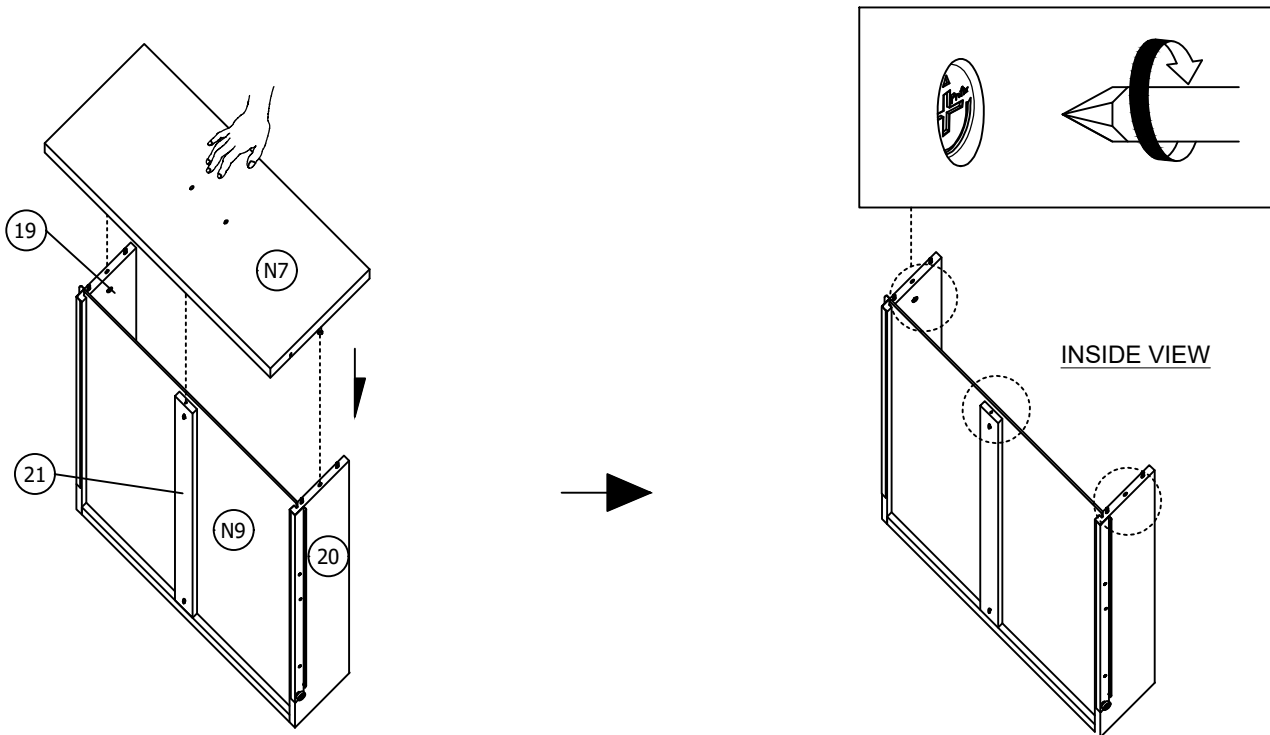
Combine the (21) to the (N8) then tighten the 1 piece (A)-(pre-insert in step 18) as shown. This step needs to be **done twice**.



# ASSEMBLY INSTRUCTION

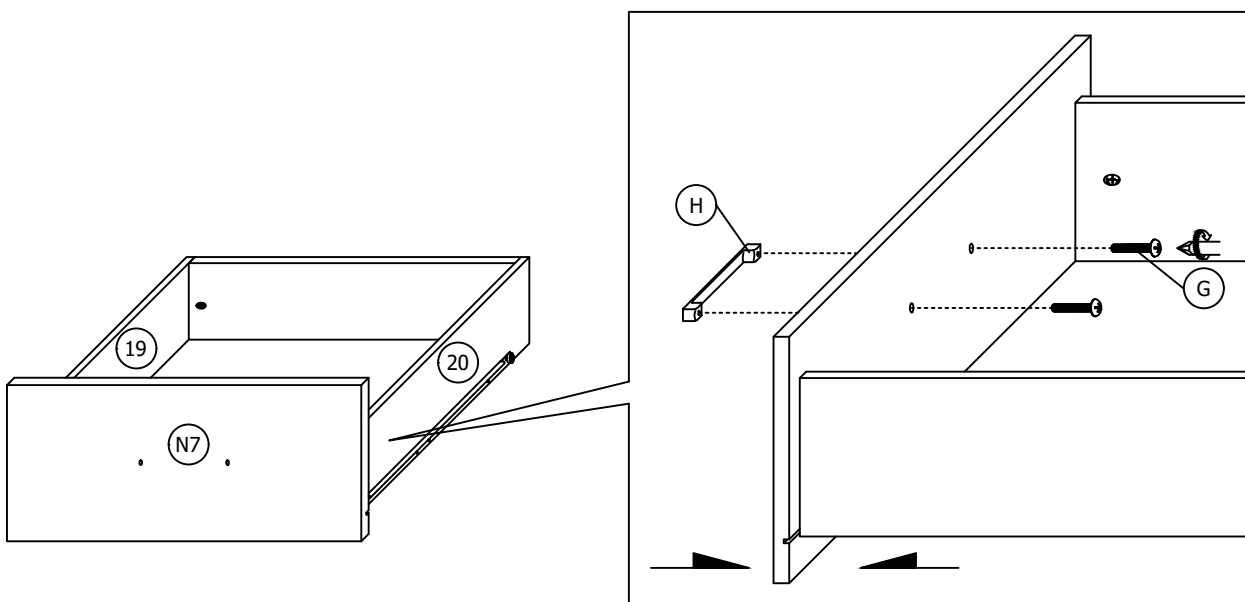
## STEP 22

Combine the (N7) to the drawer frame. Then tighten the 3 pieces (A)-(pre-insert in step 15,16 and 18) as shown. This step needs to be **done twice**.



## STEP 23

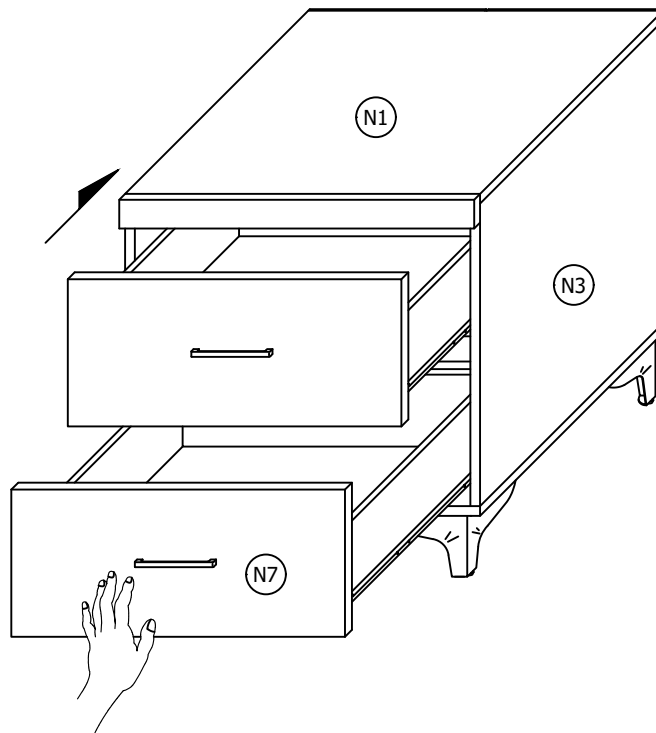
Insert 2 pieces (G) fix the (H) as shown. This step needs to be **done twice**.



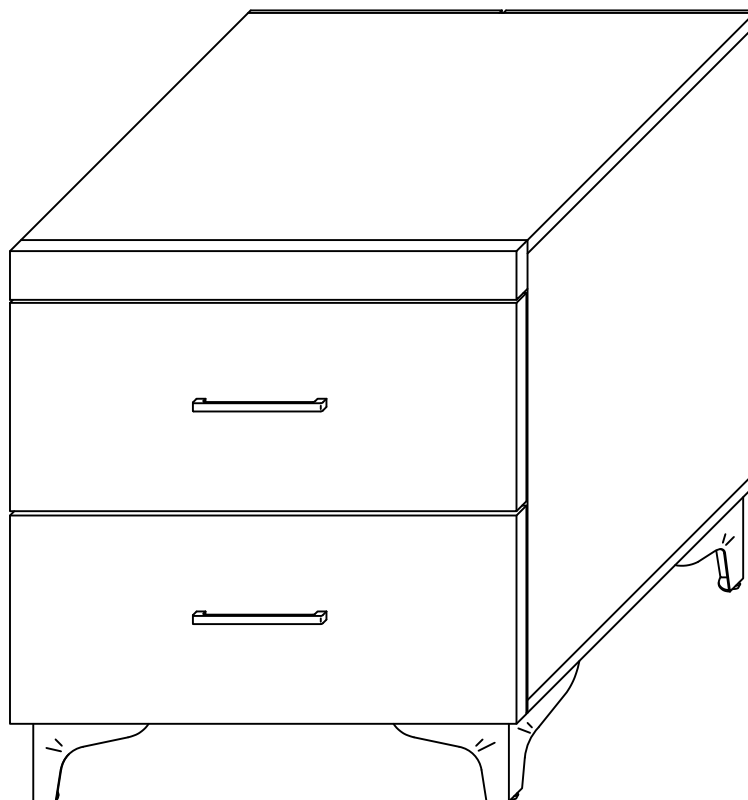
# ASSEMBLY INSTRUCTION

## STEP 24

Align the position then push the 2 pieces drawer to inside exactly by your hand as shown.



## STEP 25



**ASSEMBLY COMPLETED**