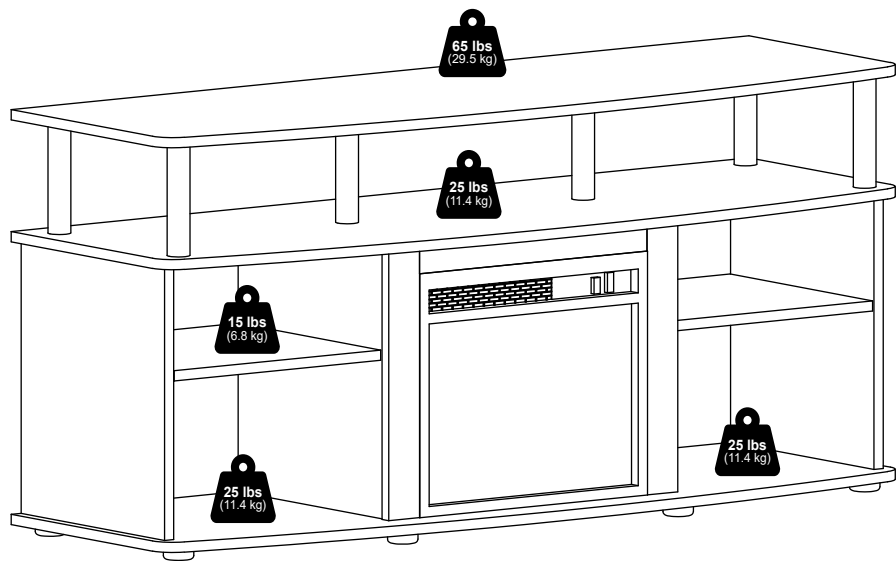
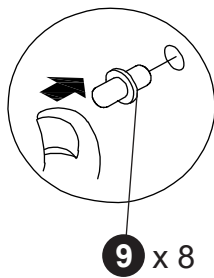
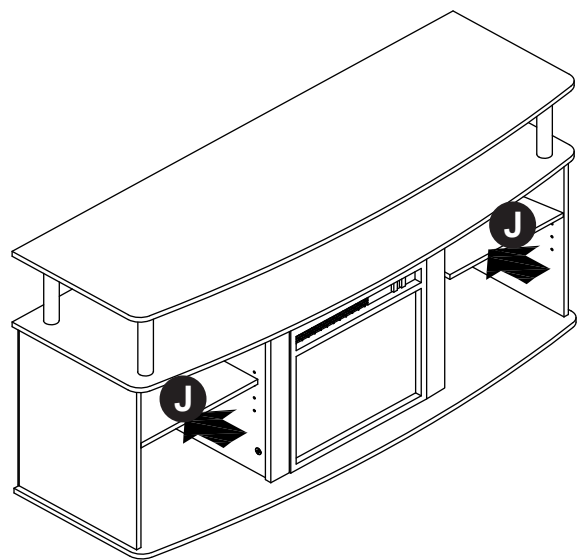
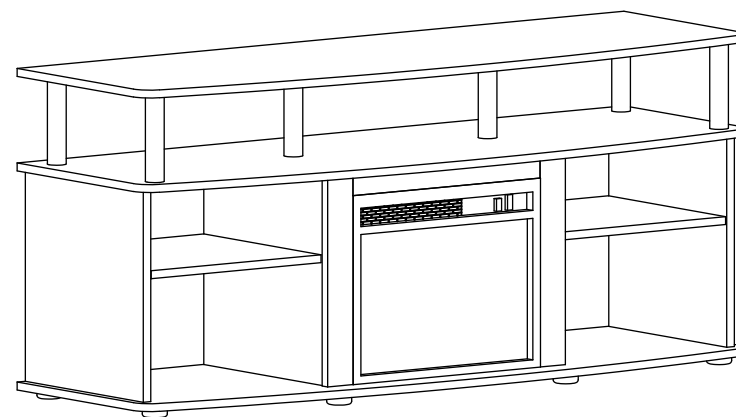
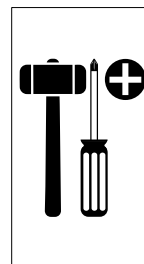
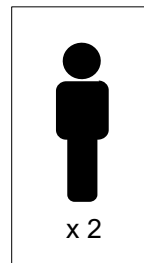
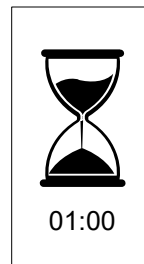


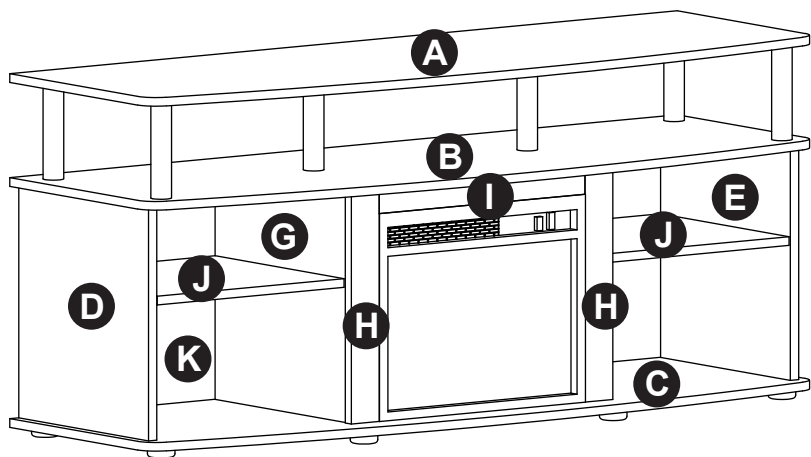
14

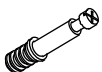

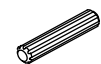






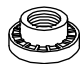
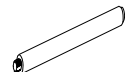

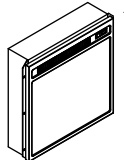




12

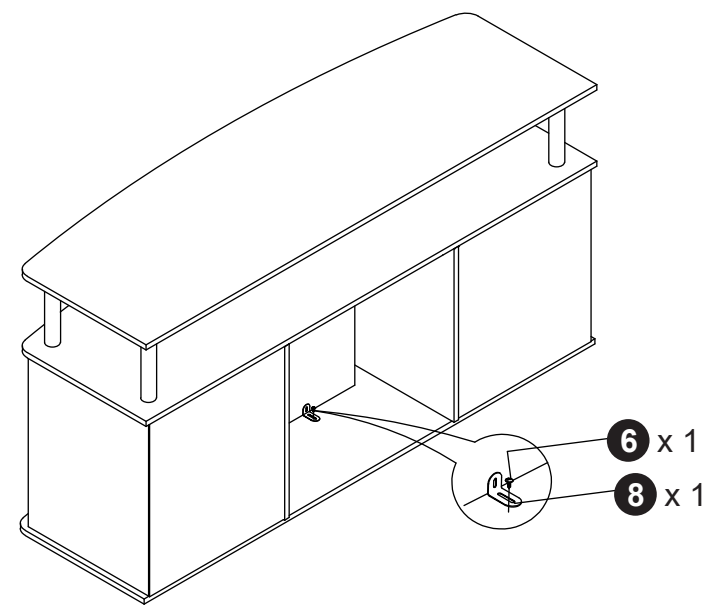


1

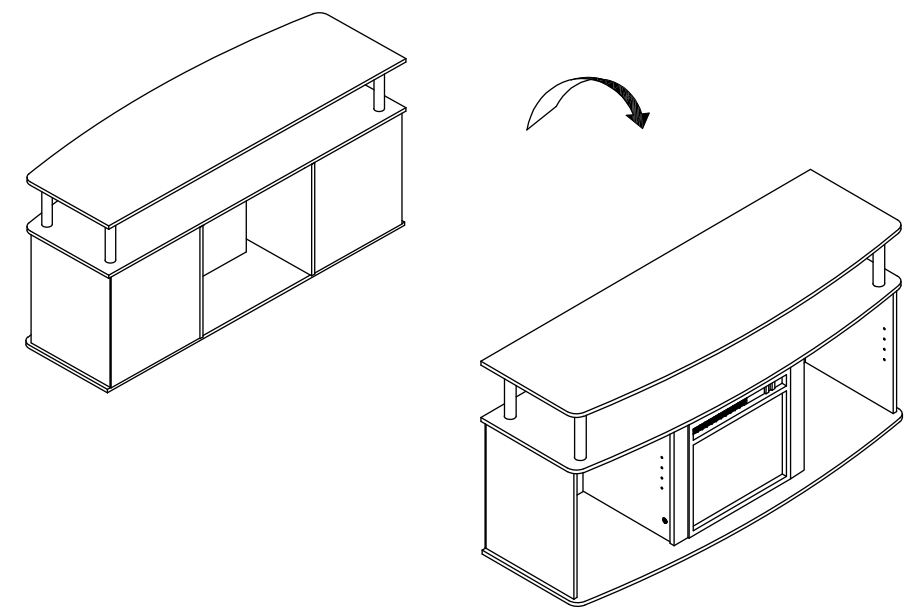


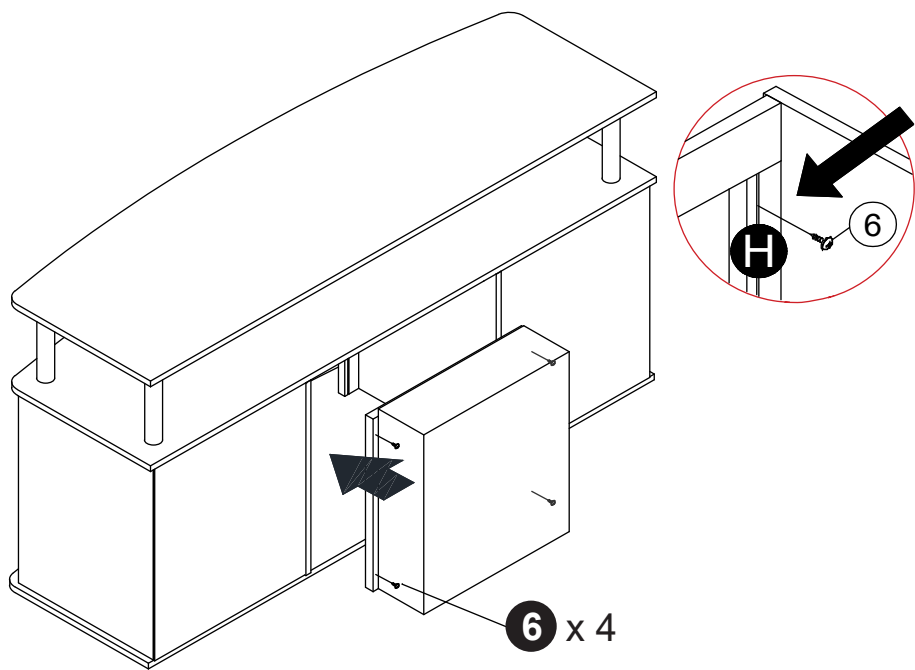
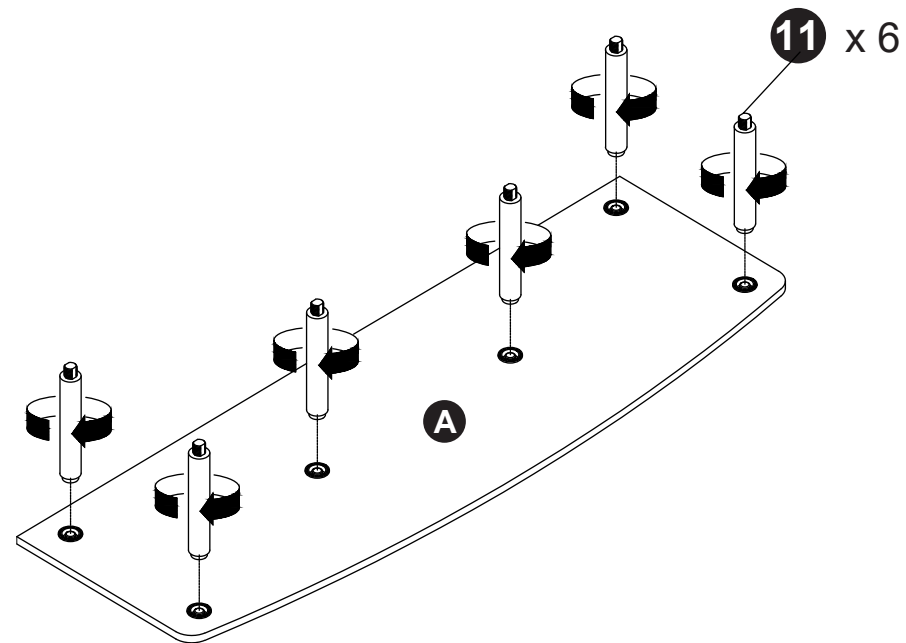
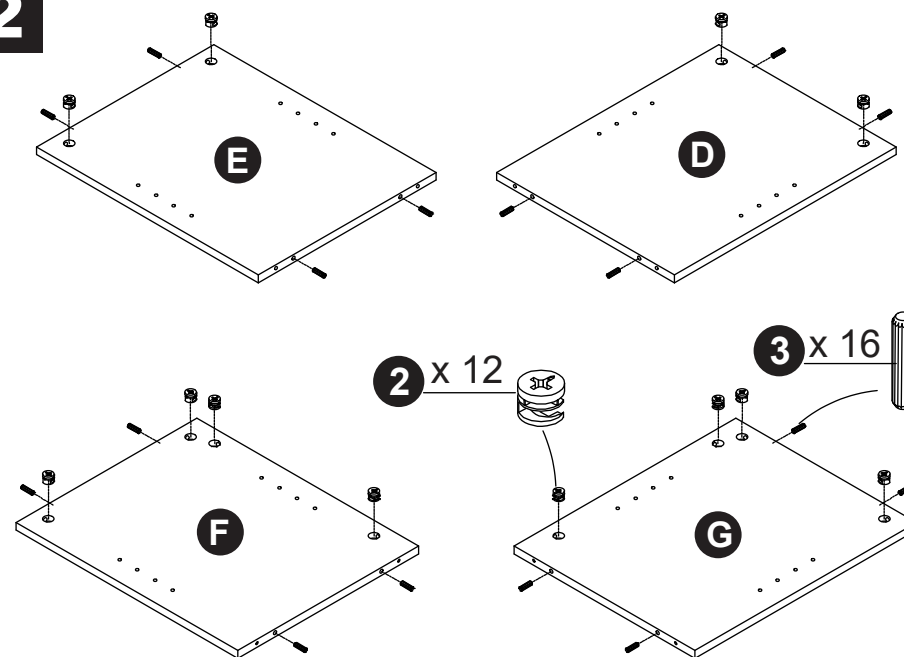
1 x 12  6 x 31mm	2 x 12  15mm	3 x 16  M6 x 20mm	4 x 8  M5 x 40mm
5 x 28  2.5 x 18mm	6 x 9  M4 x 11mm	7 x 2  17 X 22mm	8 x 1  1.2 x 24 x 90mm
9 x 8  5 x 6 x 16mm	10 x 6  Ø34 x 8mm	11 x 6  Ø30 x 162mm	12 x 7  Ø40 x 14mm
13 x 1 	14 x 6  34 x 2mm	15 x 1 	

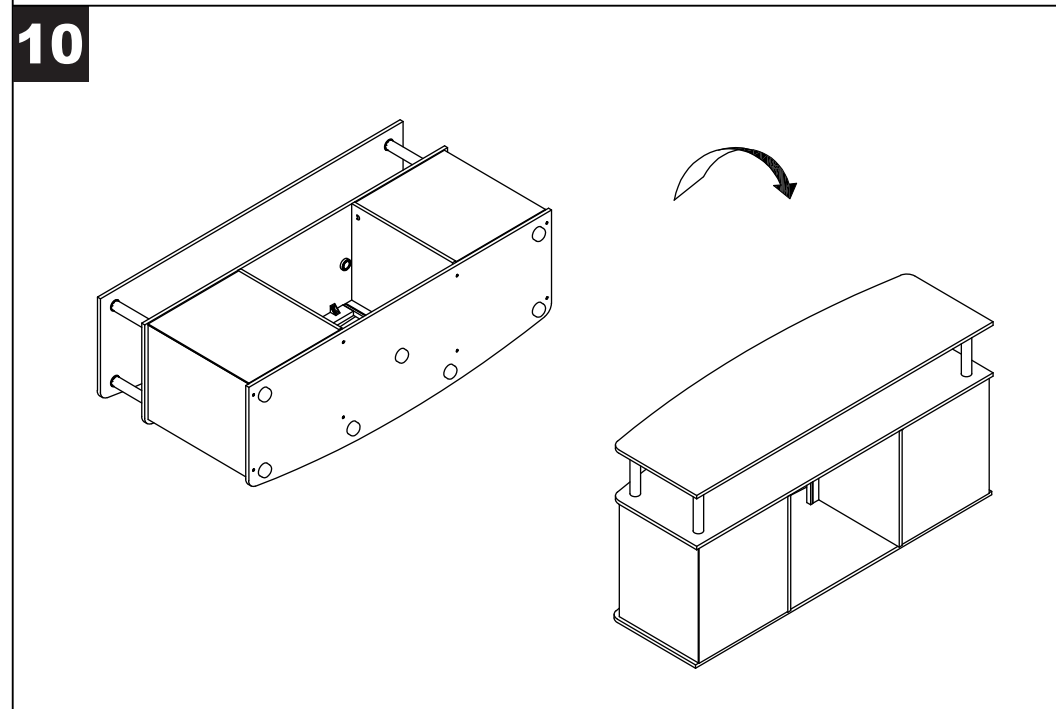
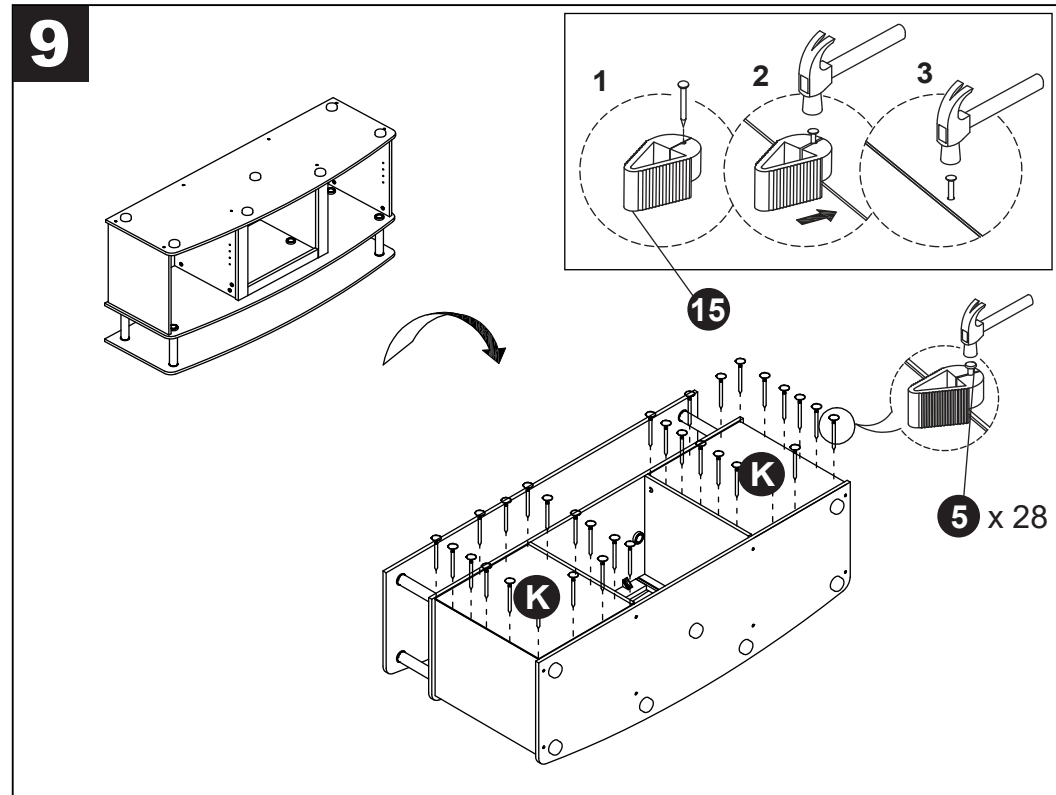
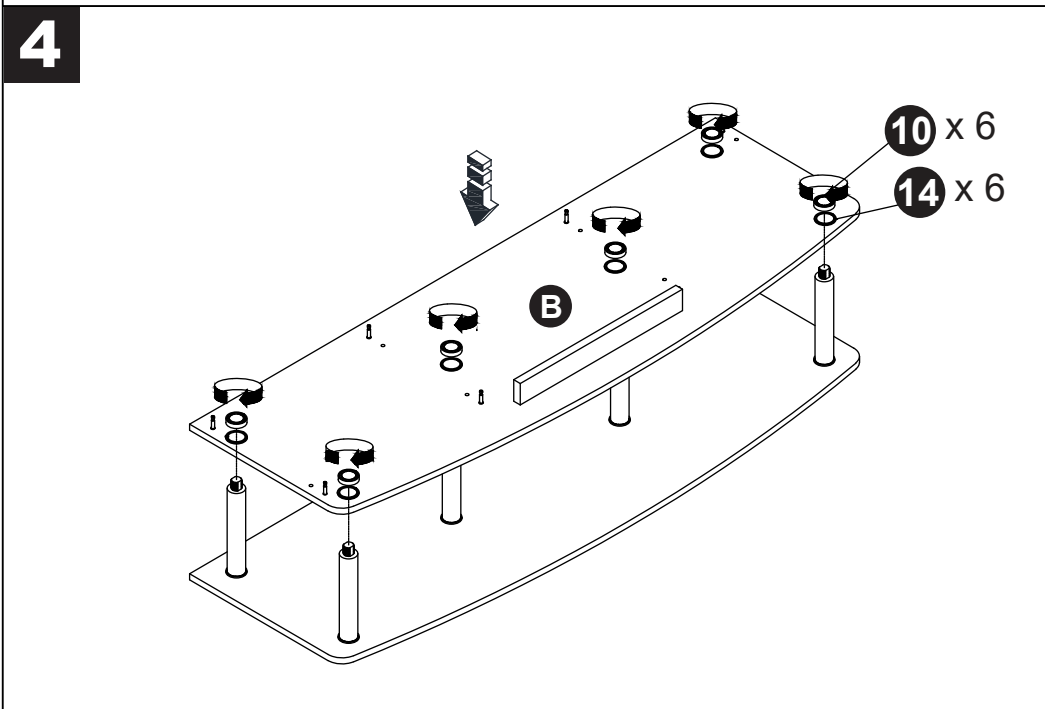
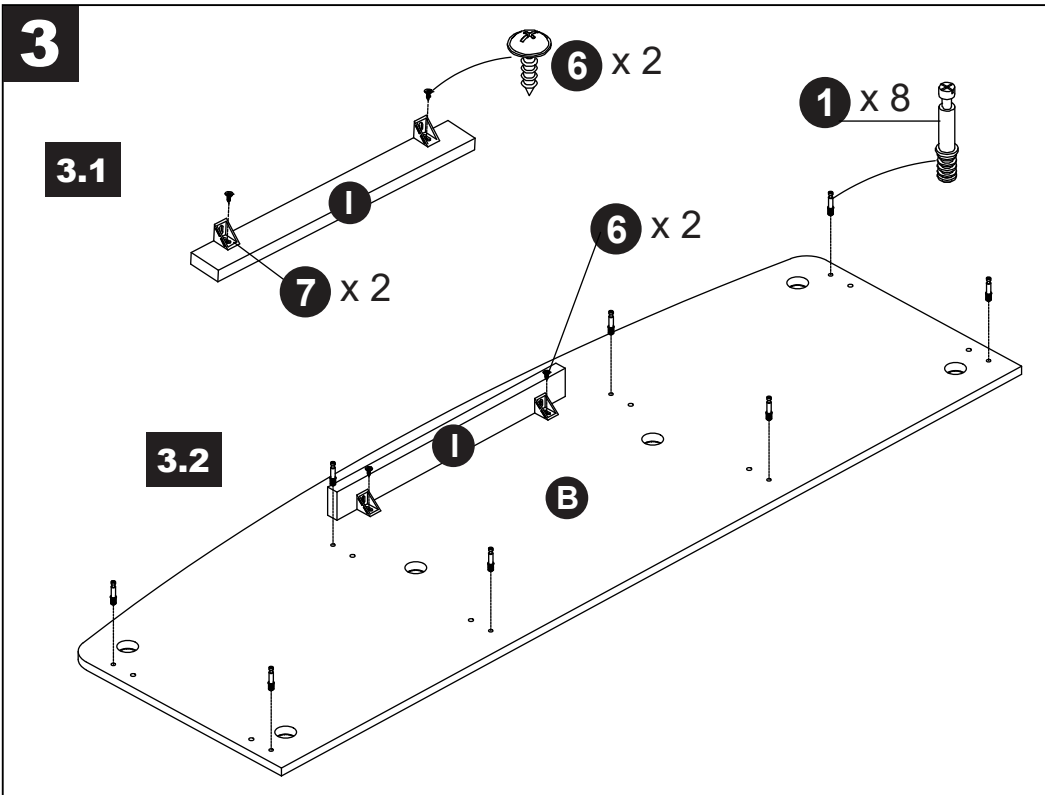
12



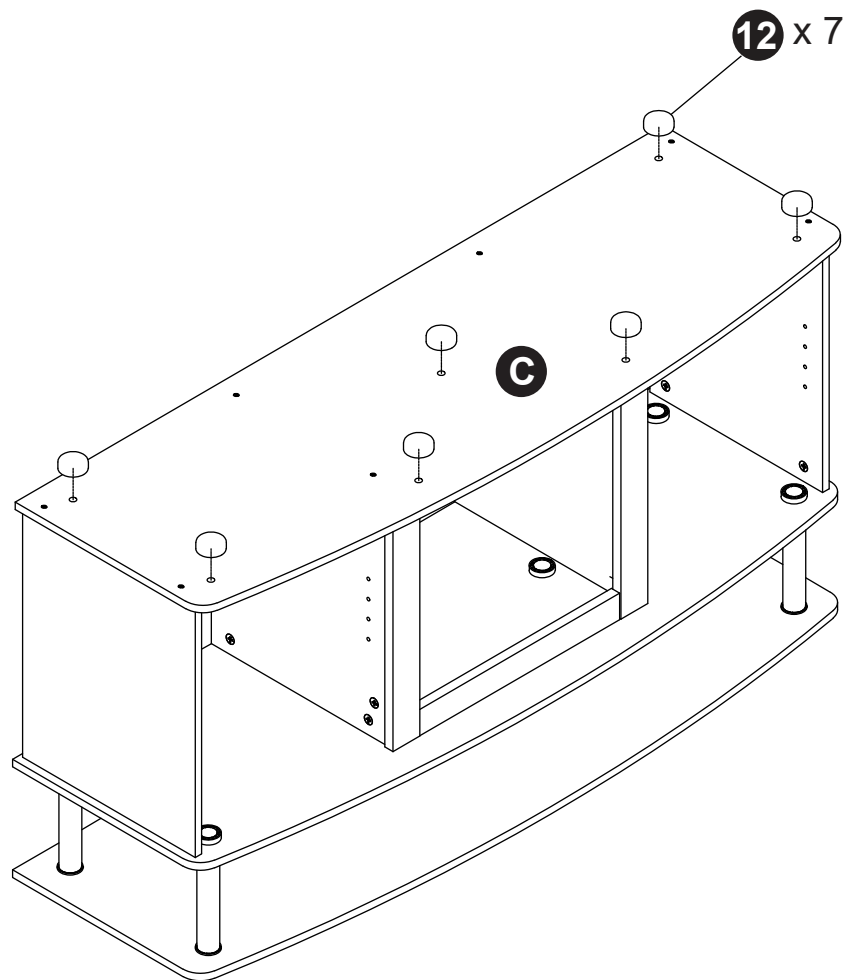
13



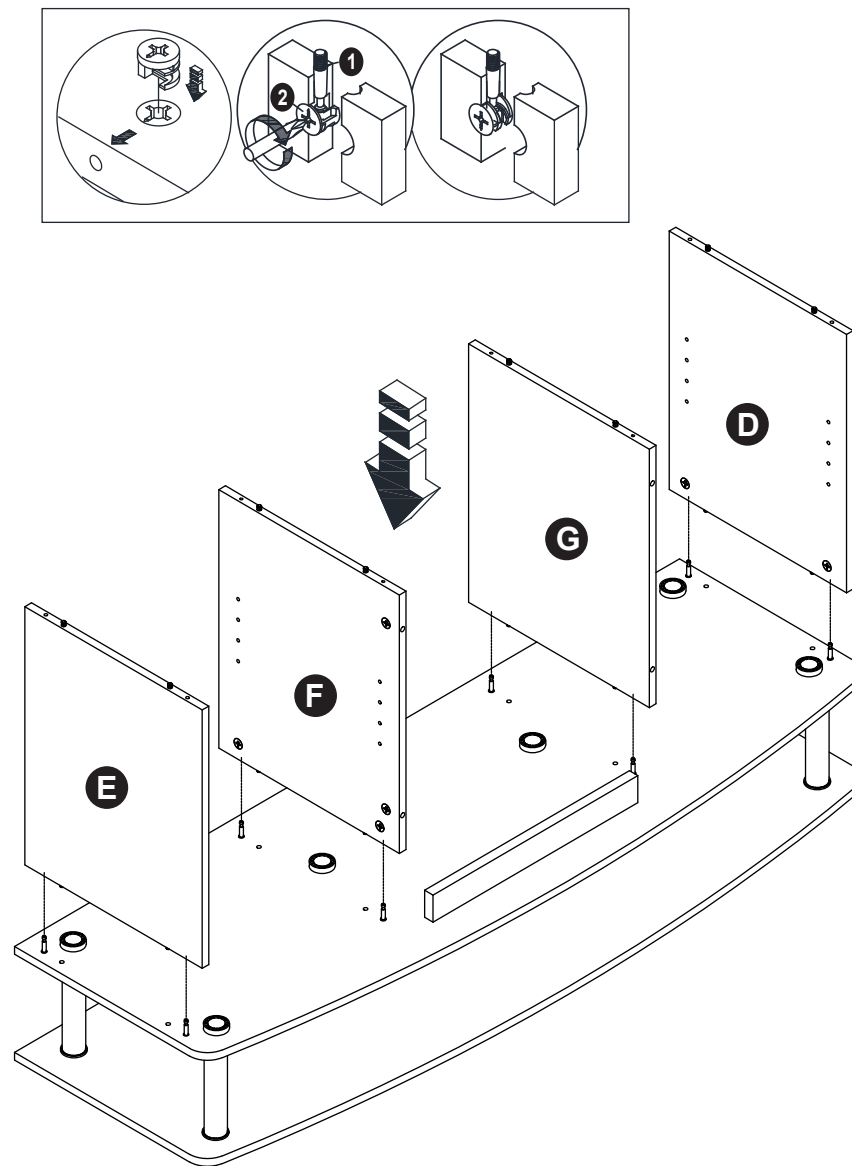
11**1****2**

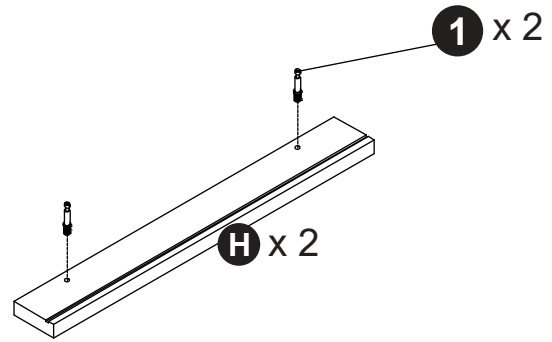
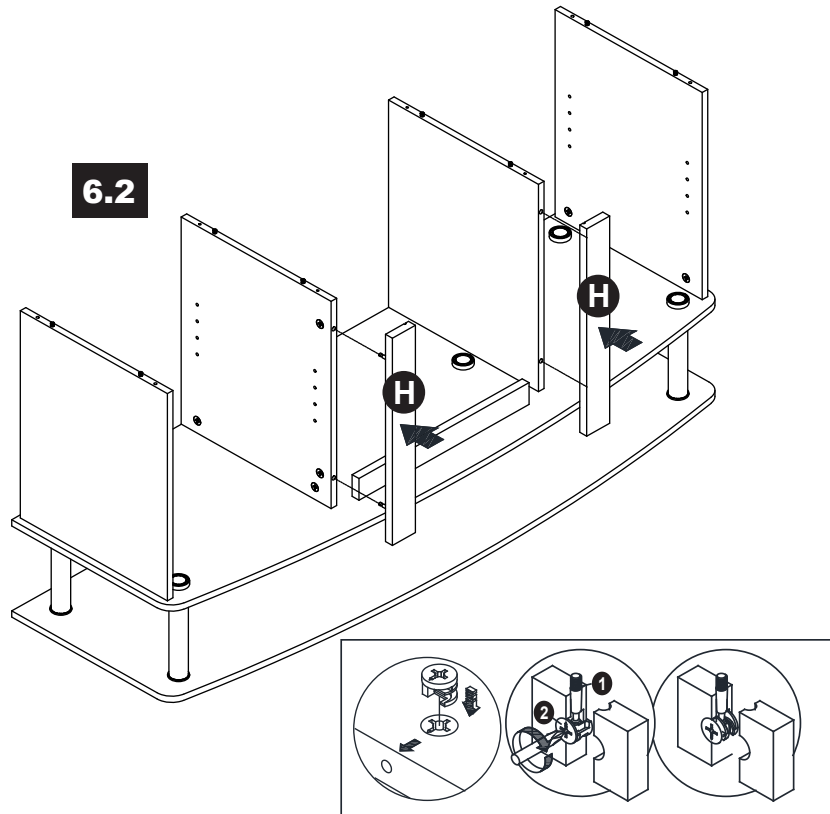


8

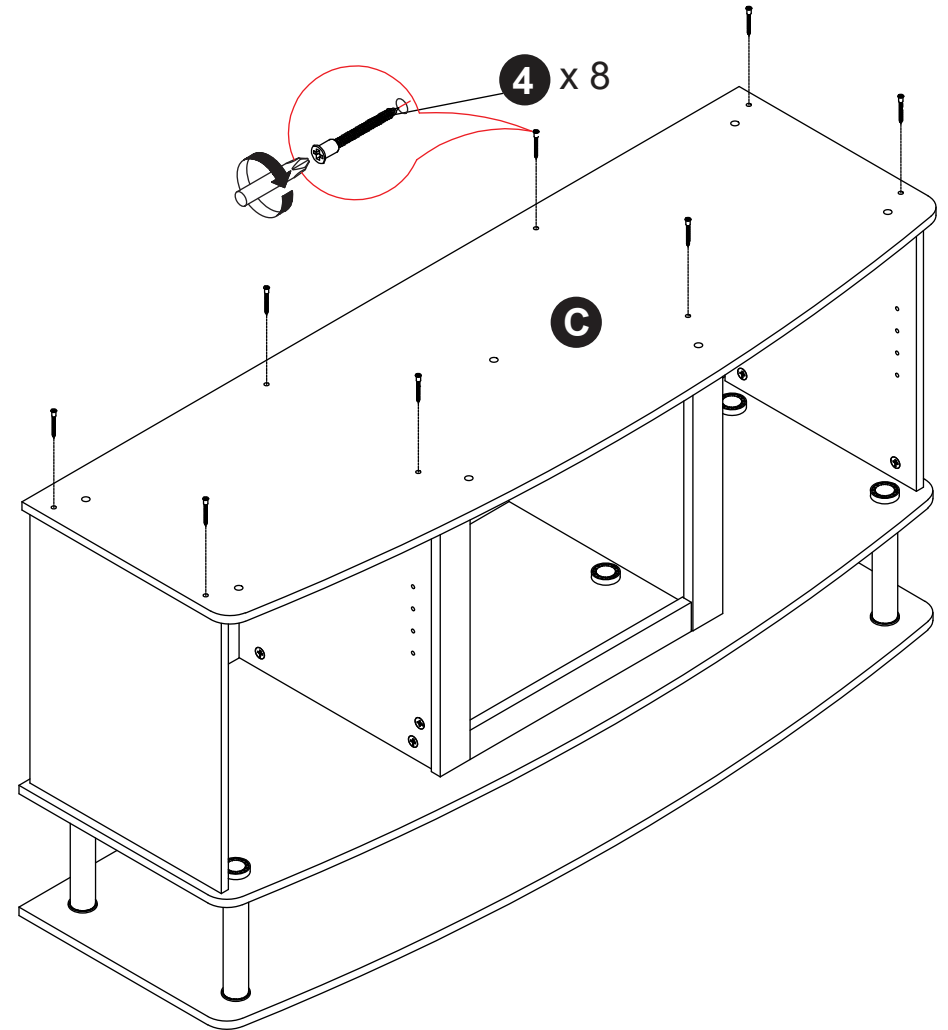


5



6**6.1****6.2**

6

7

7