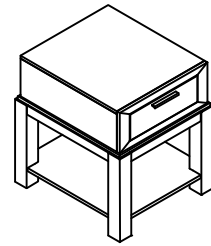


# ASSEMBLY INSTRUCTIONS



010 - 915

## TOOLS REQUIRED:

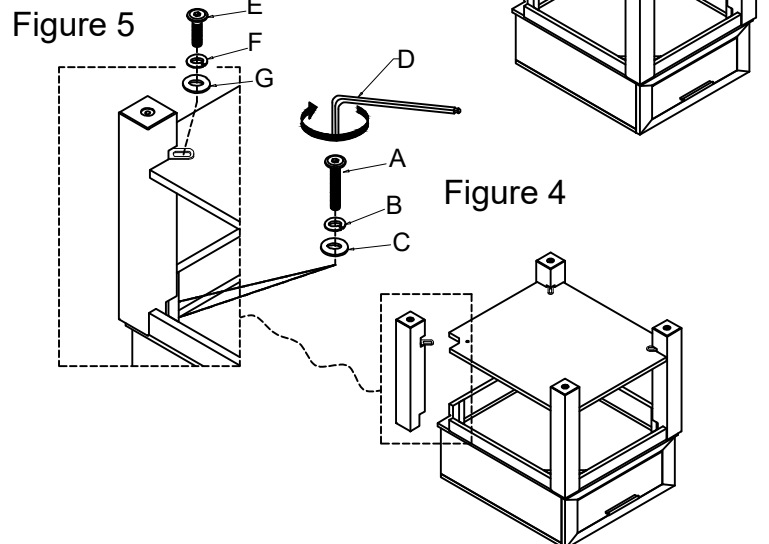
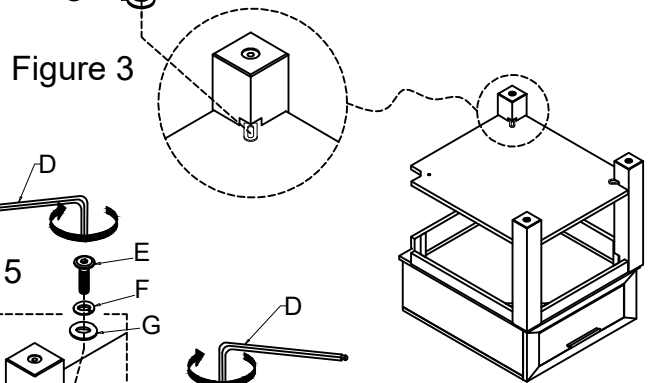
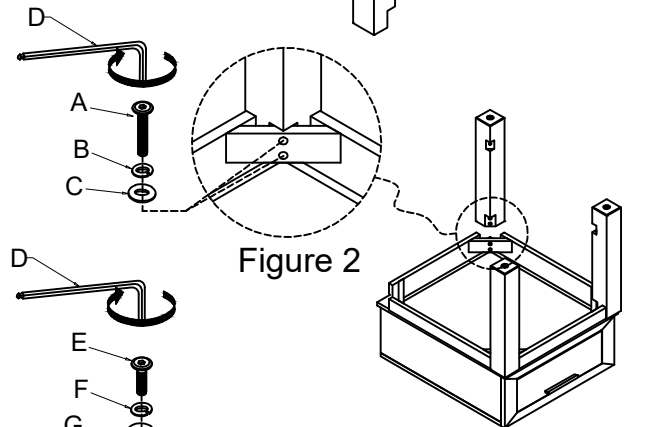
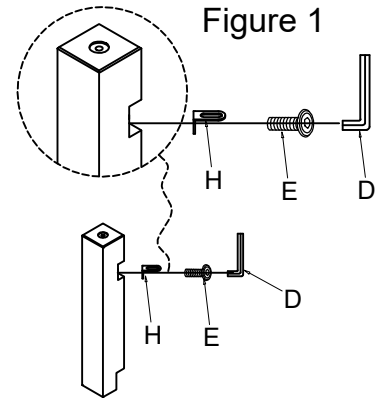
Allen key (supplied, part # D)

## BEFORE YOU START:

1. Check the parts against the parts list to make sure all items are present.
2. Assemble your furniture on a soft, flat surface to avoid scratching the finish.
3. **CAUTION:** Do not over tighten screws, nuts or bolts during assembly.
4. Your furniture may require occasional tightening.

## INSTRUCTIONS:

1. Attach the "L" metal bracket (H) to notch of each leg by using Bolt (E), and tighten with the Allen Wrench (D). As Shown in Figure 1.  
(Note: the slot hole of the metal bracket is on the bottom)
2. Turn the top upside down on a clean soft surface. Attach the three legs to the top panel by using Flat washer (C), Lock Washer (B), Bolt (A) with Allen Key (D). (See Figure 2). (Do not over tighten bolts during assembly.)
3. Attach the shelf to the three legs by using Flat washer (G), Lock Washer (F), Bolt (E) with Allen Key (D). (See Figure 3). (See Figure 2). (Do not over tighten bolts during assembly.)
4. Repeat steps 2,3,4 for the fourth leg. As shown in Figure 4,5. Tighten all bolts with Allen Key (D).



No.	Hardware List	Q'ty
A	 Bolt Ø5/16 x 2"	8
B	 Lock Washer Ø5/16"	8
C	 Flat Washer Ø5/16"	8
D	 Allen Key 4mm	1
E	 Bolt Ø1/4 x 1/2"	8
F	 Lock Washer Ø1/4"	4
G	 Flat Washer Ø1/4"	4
H	 Metal Bracket (L)(41*21)*18*2)	4