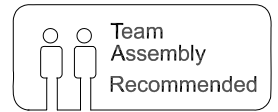
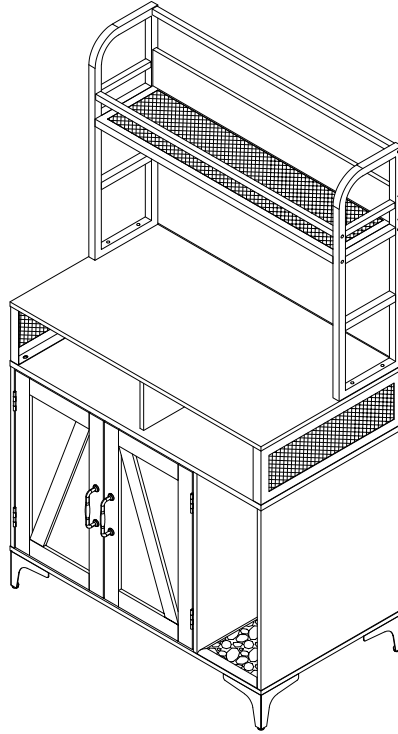


# Assembly Instruction



## Trouble shooting:

Missing / Wrong / Broken parts and installation issues



Send email with your question pic, order NO. and screenshot of order details to:

***support@idealhouse.vip***



Respond within 24 hours



Issue resolved

## Tips!



1. Check all the components & screws are intact before assembling .
  2. If you notice any pieces are missing or damaged please do not assemble and contact us immediately .
  3. **Please send an email with you order number and issues, we will respond within 24 hours.**
- Customer Service Team: [support@idealhouse.vip](mailto:support@idealhouse.vip)**

## IMPORTANT SAFETY INFORMATION

- Please carefully read the following instructions and caution warnings before assembling the product.
- Following this guide will ensure that you install, use and maintain the product properly.
- Please keep this installation and user manual/instructions for future reference in case you need to disassemble the product.
- Never allow children to climb onto the product. Ensure that you have special safety measures when children are around on their own.
- Be sure to check that all parts of the product are intact after you open the package.
- Do not assemble if you notice serious damage such as cracks or bends.
- During installation, please use work gloves for hand safety.
- Please assemble the unit on carpeted floor or the flat cardboard box to avoid scratching the surface or your floor while assembling on the floor.
- To assemble, please use the complimentary installation tools (Phillips screwdriver). Pay more attention to the direction of components at each steps.
- It is recommended that two people work together to assemble the product.

## RETURN POLICY

- Please contact us directly within 30 days after receiving.
- Ensure the product is in a good condition with the original box and all original certificates of purchase, manuals, and accessories attached.

## HOW TO MAINTAIN YOUR PRODUCT

- Check the screws of the product are not loose from regular use.
- Do not use sharp instruments, rubbing alcohol, corrosive chemicals, or abrasive cleaners to clean the item.

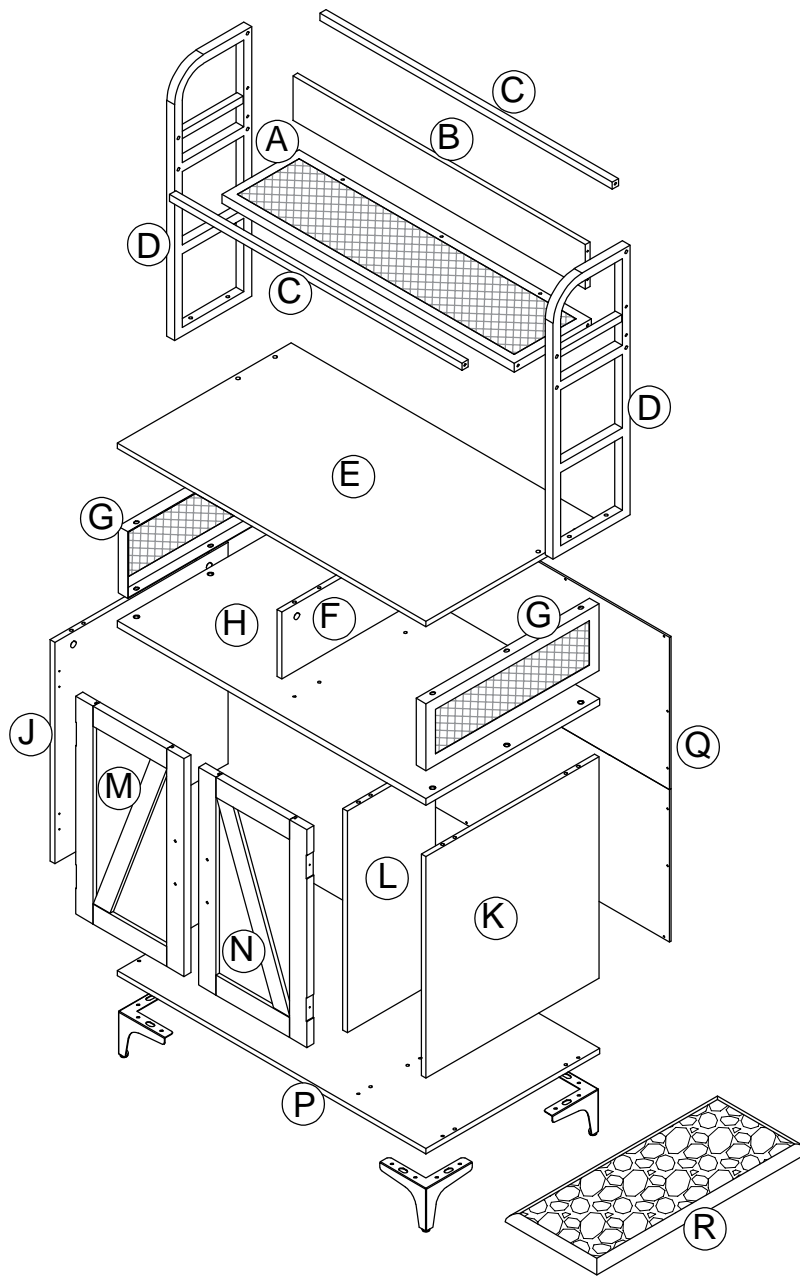
# COMPONENTS ID Nr.

Part Nr.	Qty
A	1pc
B	1pc
C	2pcs
D	2pcs



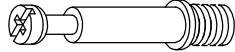
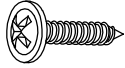
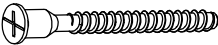
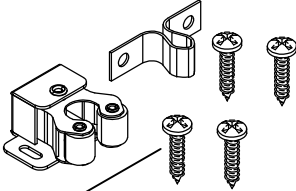
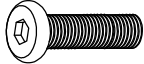
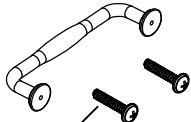
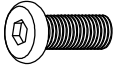
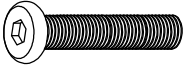

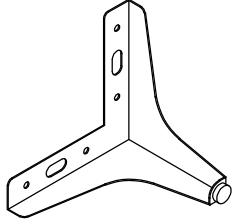
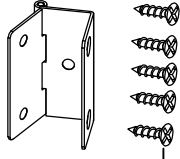

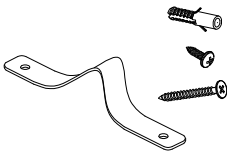
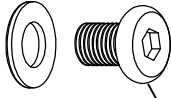
Part Nr.	Qty
E	1pc
F	1pc
G	2pcs
H	1pc

Part Nr.	Qty
J	1pc
K	1pc
L	1pc
M	1pc

Part Nr.	Qty
N	1pc
P	1pc
Q	1pc
R	1pc



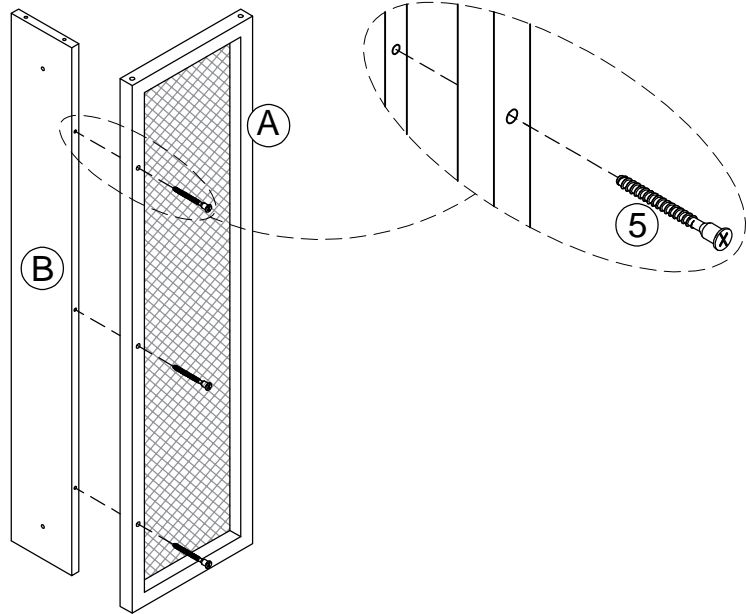
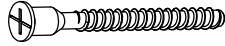
# HARDWARE LIST

<p>① x 16+1pcs</p>  <p>Ø6*30mm</p>	<p>② x 8+1pcs</p>  <p>Ø15*10mm</p>	<p>③ x 8+1pcs</p>  <p>Ø6*35mm</p>	<p>④ x 16+1pcs</p>  <p>Ø7*Ø3.5*12mm</p>
<p>⑤ x 15+1pcs</p>  <p>Ø5*40mm</p>	<p>⑥ x 2pcs</p>  <p>Ø6*Ø3*10mm</p>	<p>⑦ x 4+1pcs</p>  <p>M6x28mm</p>	<p>⑧ x 2pcs</p>  <p>Ø8*Ø4*22mm</p>
<p>⑨ x 12+1pcs</p>  <p>M6x8mm</p>	<p>⑩ x 8+1pcs</p>  <p>M6x40mm</p>	<p>⑪ x 1pc</p>  <p>M4</p>	<p>⑫ x 4pcs</p> 
<p>⑬ x 4pcs</p>  <p>Ø7*Ø3.5*x10mm</p>	<p>⑭ x 1pc</p> 	<p>⑮ x 2pcs</p> 	<p>⑯ x 8pcs</p>  <p>M6*10mm</p>

# PRODUCT ASSEMBLY

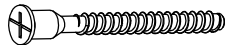
# 1

⑤ x3

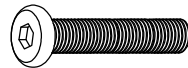


# 2

⑤ x2

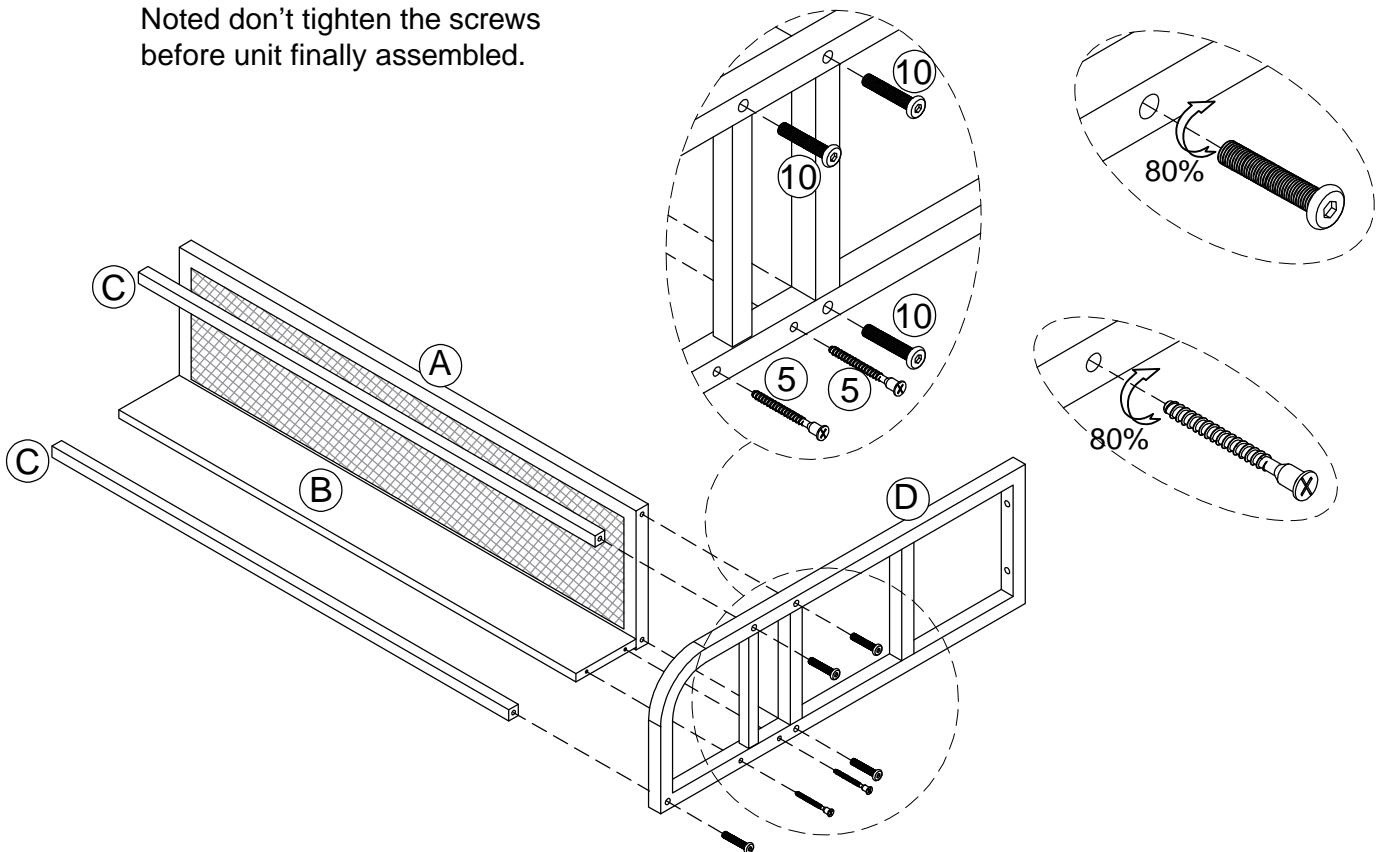


⑩ x4



M6x40mm

Noted don't tighten the screws before unit finally assembled.



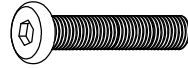
**PRODUCT ASSEMBLY**

**3**

⑤ x2

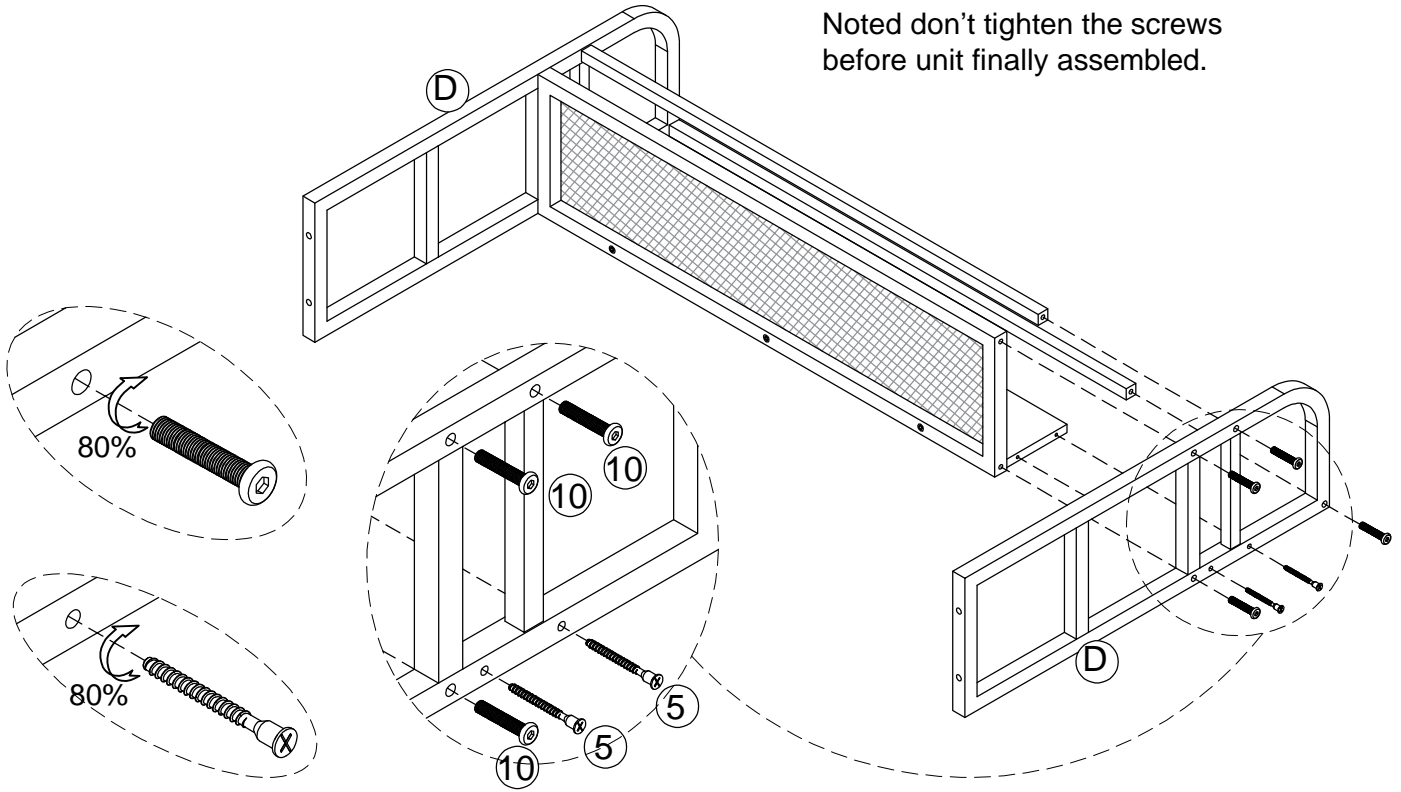


⑩ x4



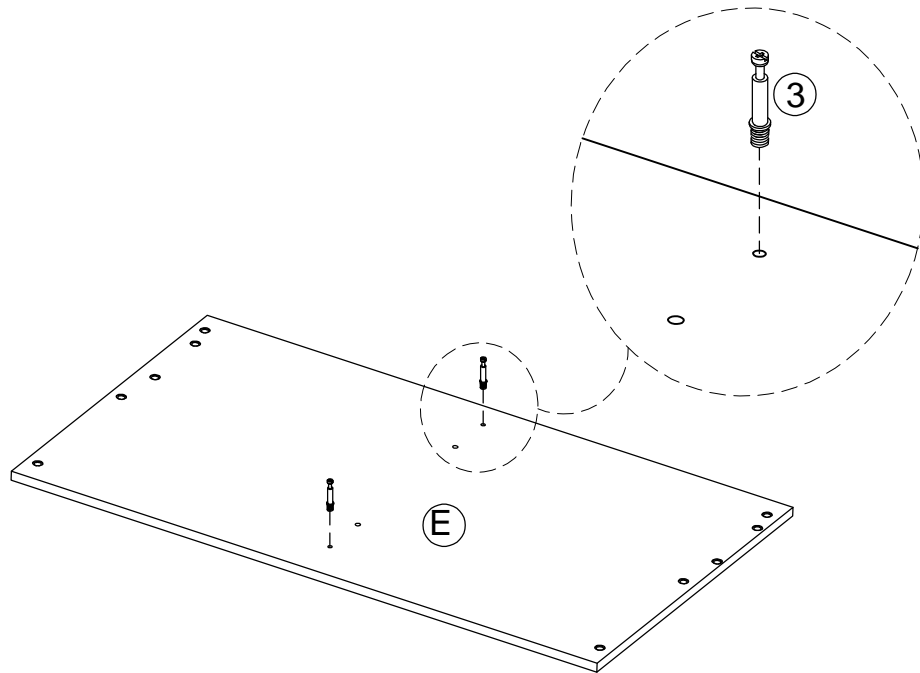
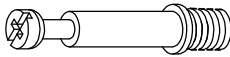
M6x40mm

Noted don't tighten the screws before unit finally assembled.

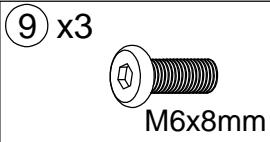


**4**

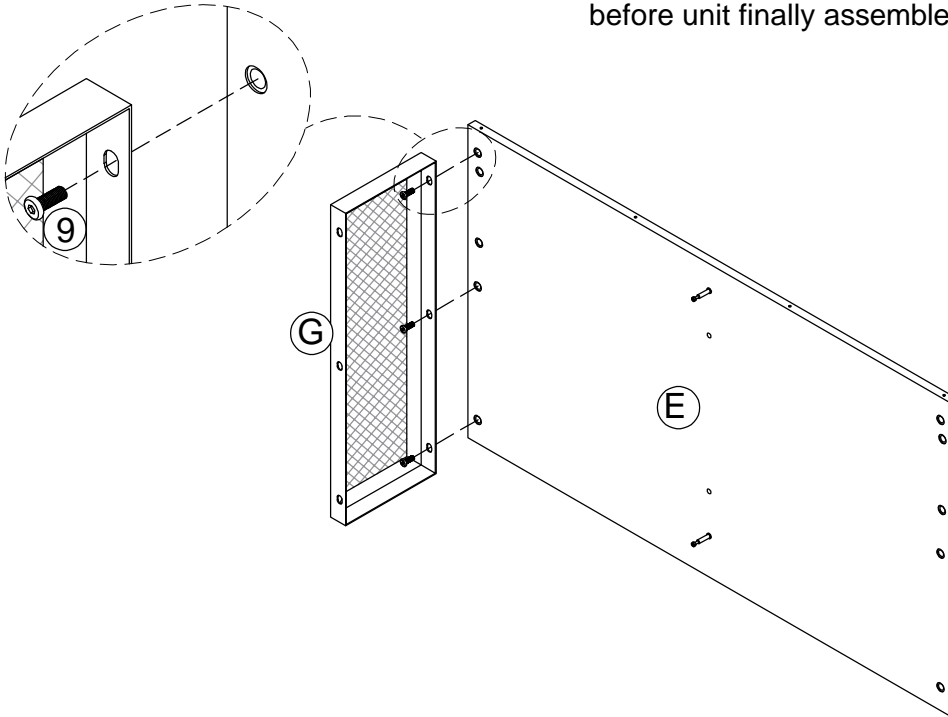
③ x2



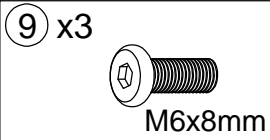
5



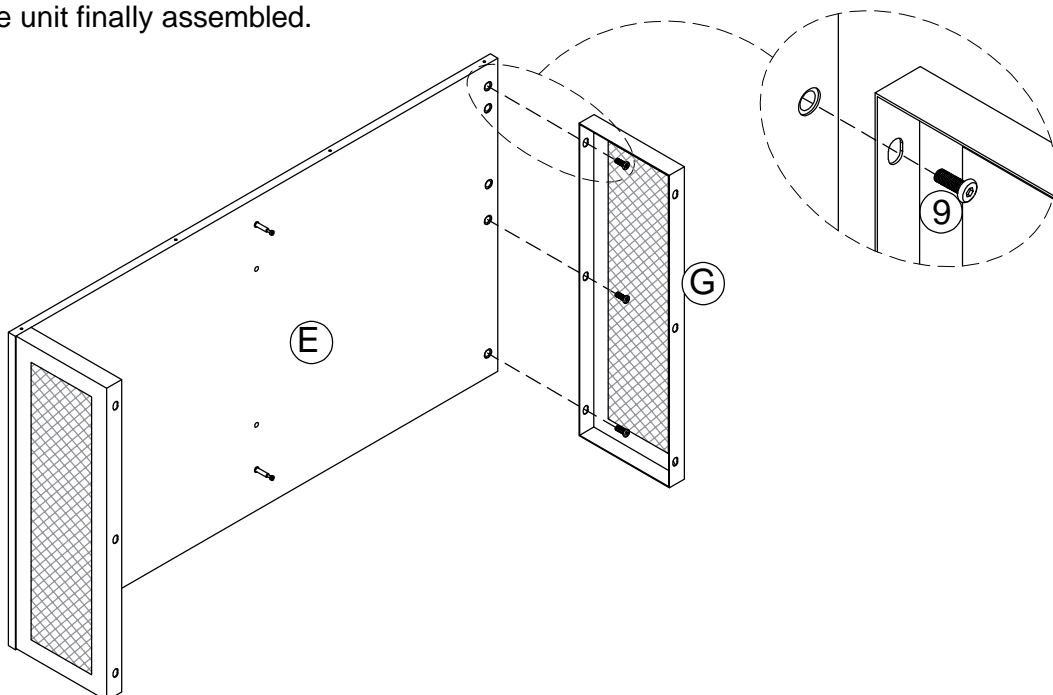
Noted don't tighten the screws before unit finally assembled.



6



Noted don't tighten the screws before unit finally assembled.



**PRODUCT ASSEMBLY**

**7**

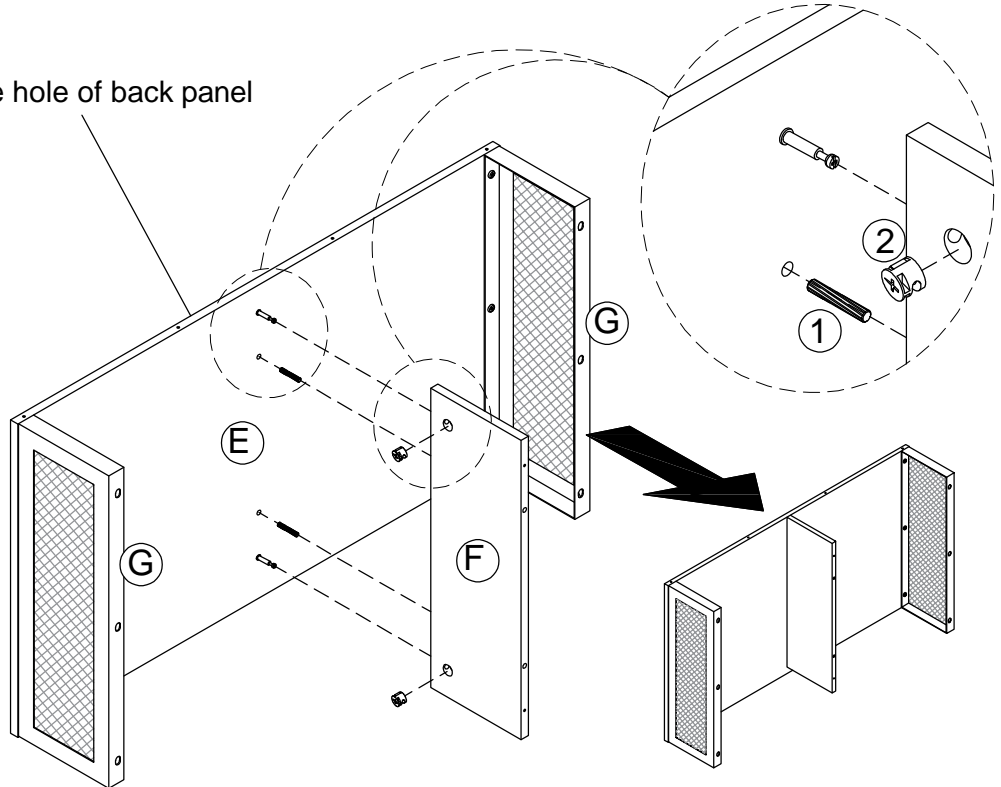
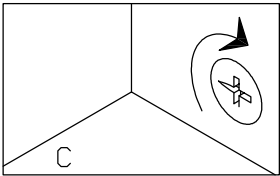
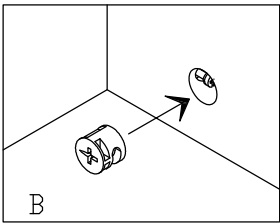
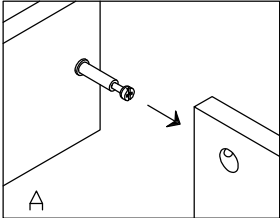
① x2



② x2

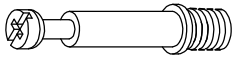


Noted the hole of back panel

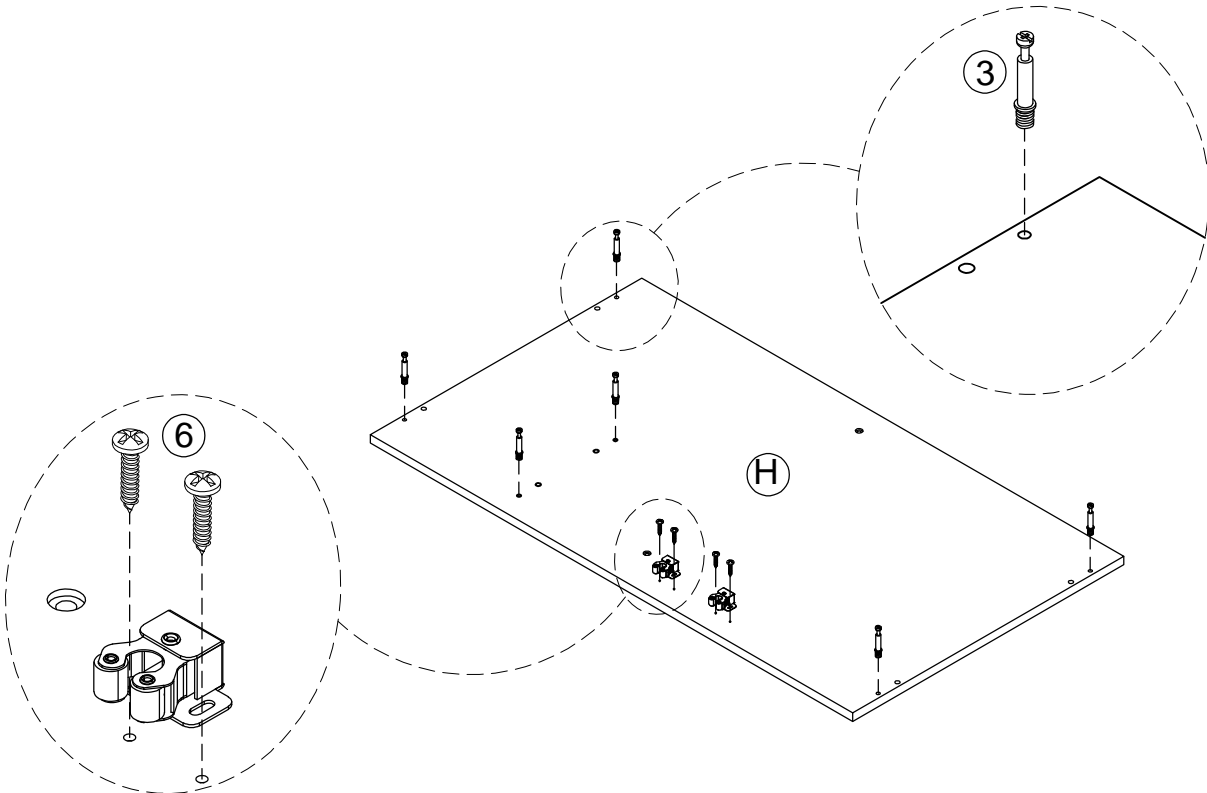
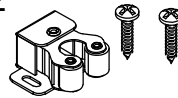


**8**

③ x6



⑥ x2



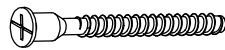
# PRODUCT ASSEMBLY

## 9

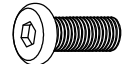
① x2



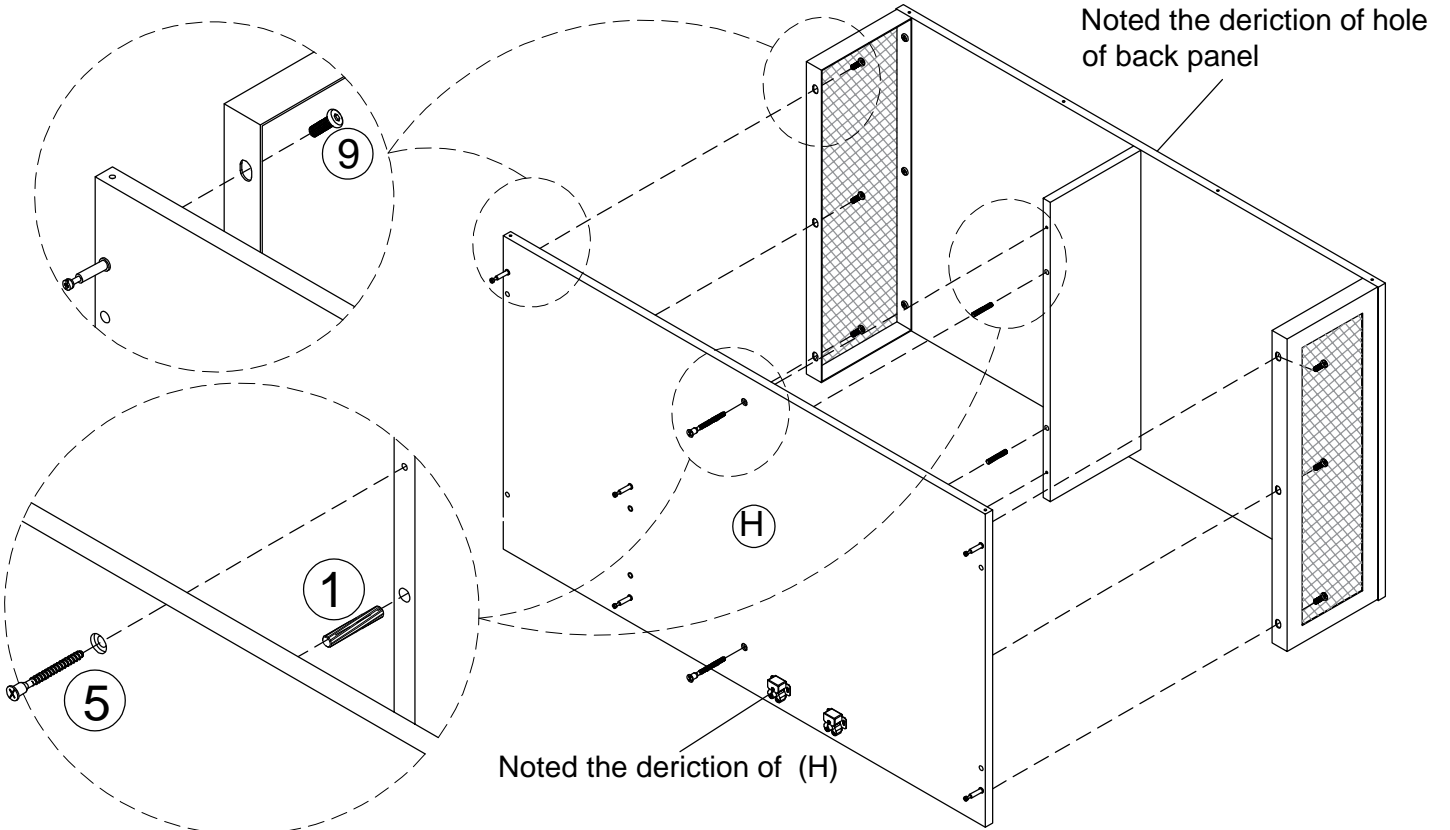
⑤ x2



⑨ x6



M6x8mm

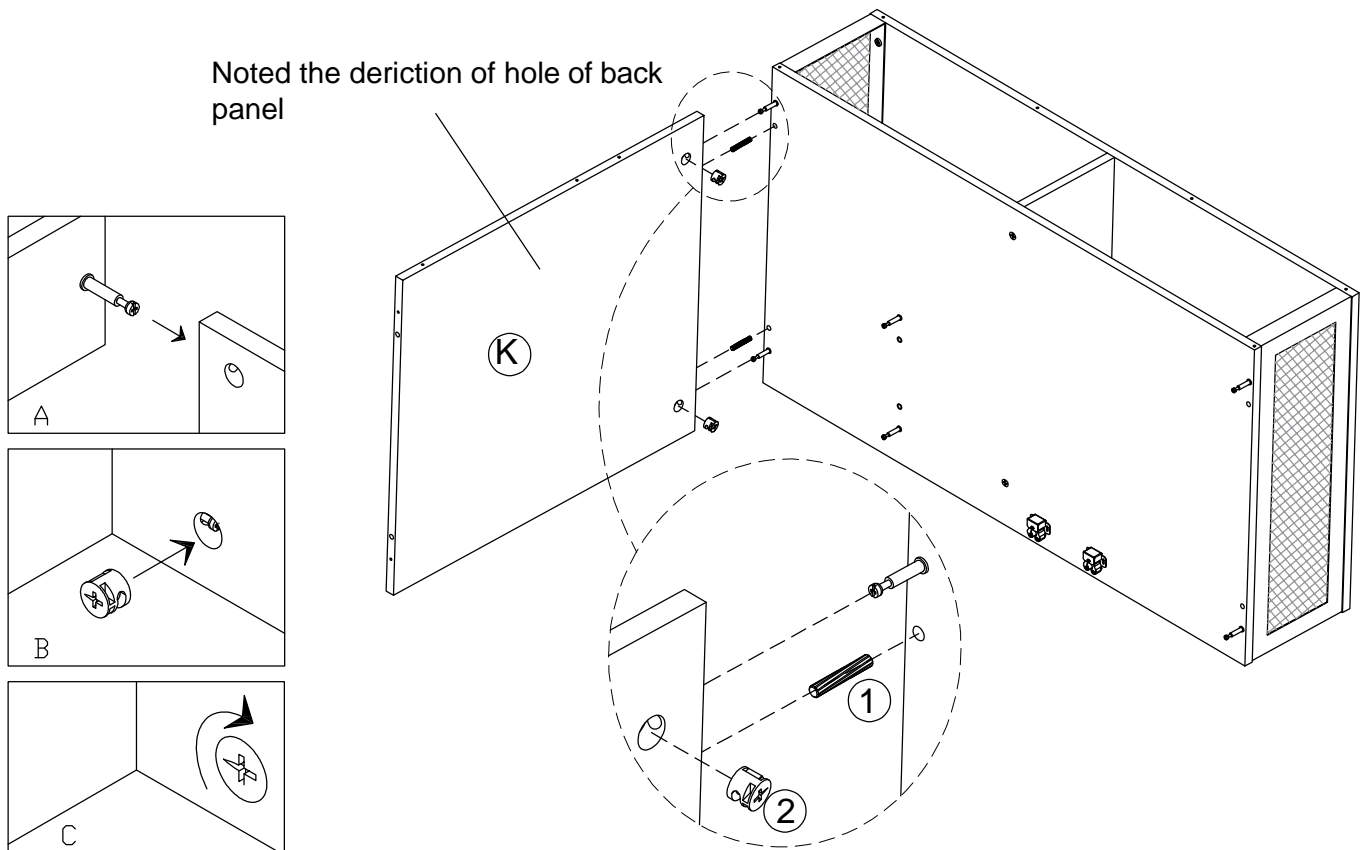


## 10

① x2



② x 2

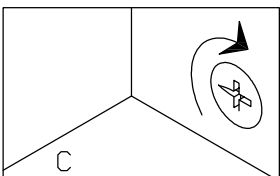
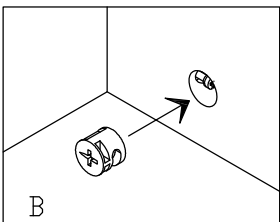
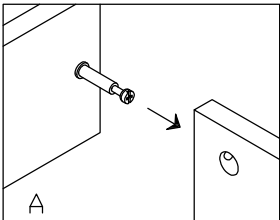
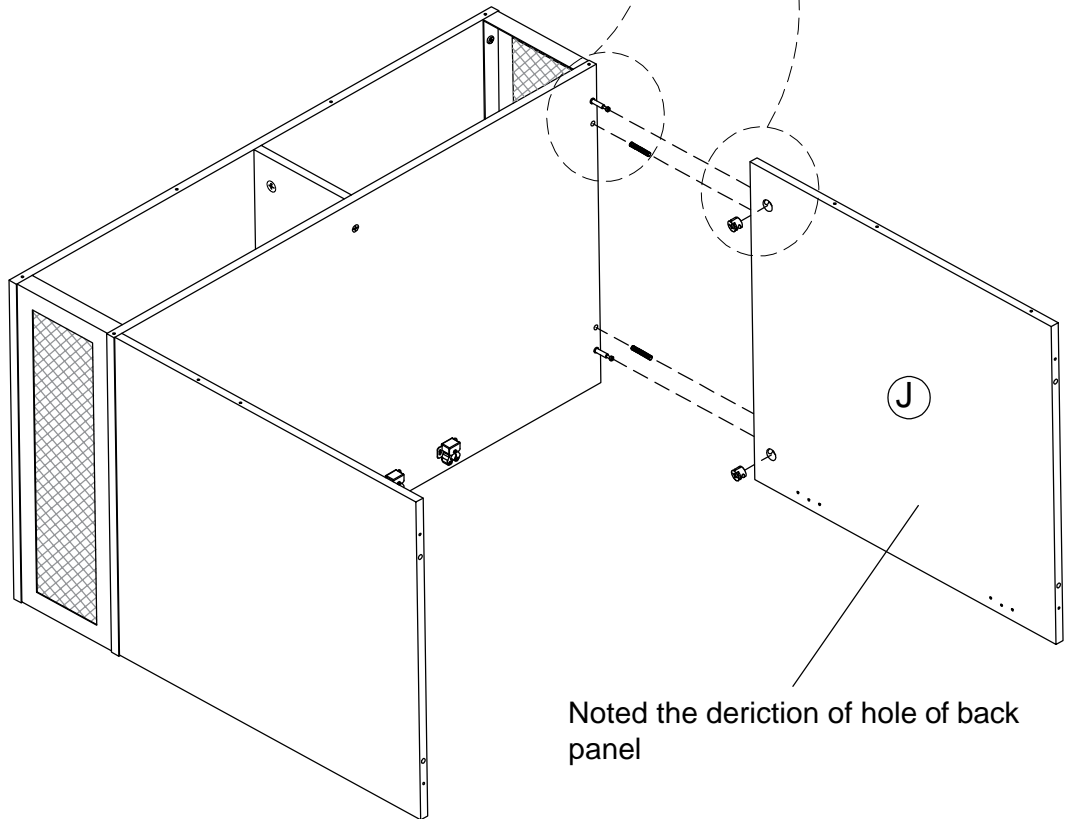
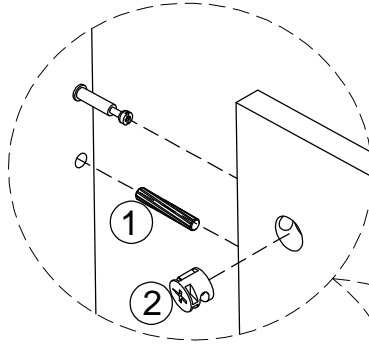


11

① x2



② x2



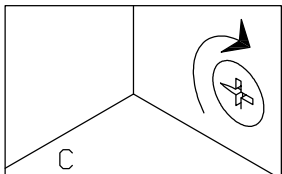
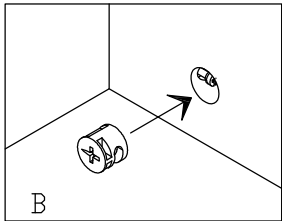
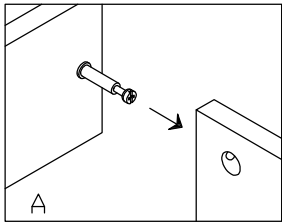
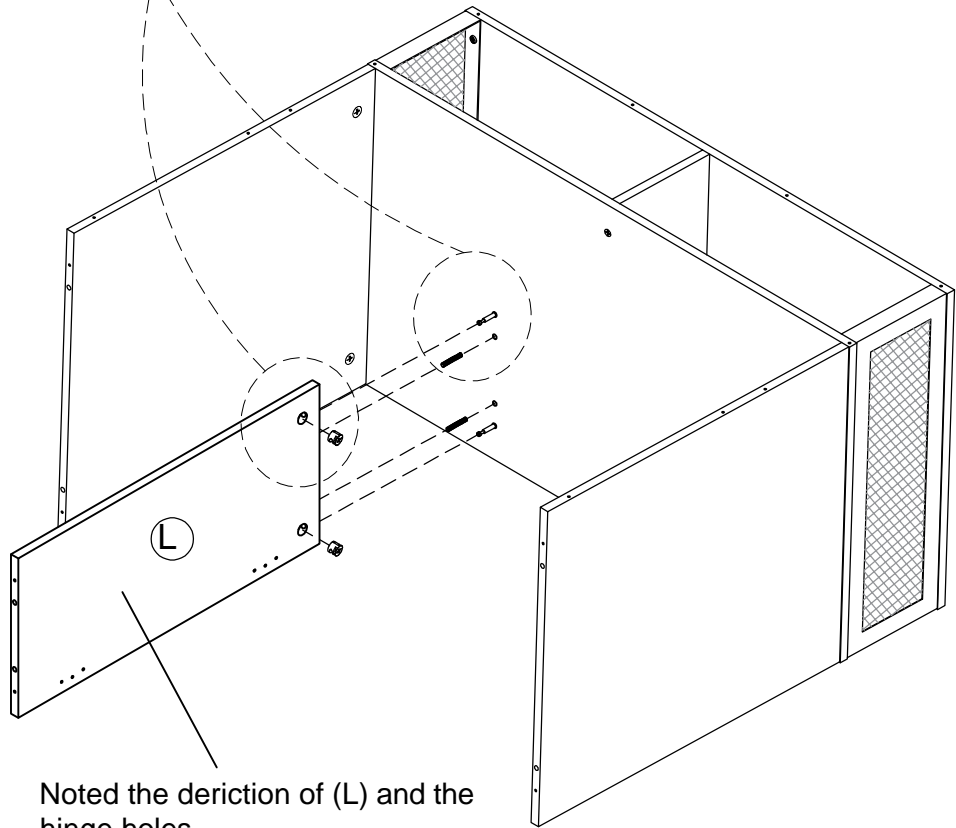
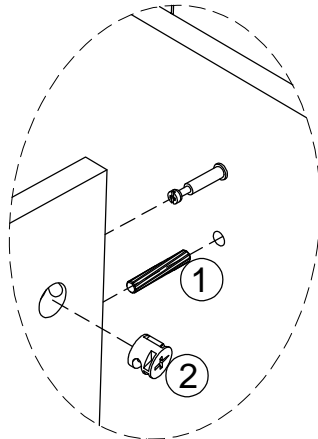
Noted the deriction of hole of back panel

12

① x2



② x2

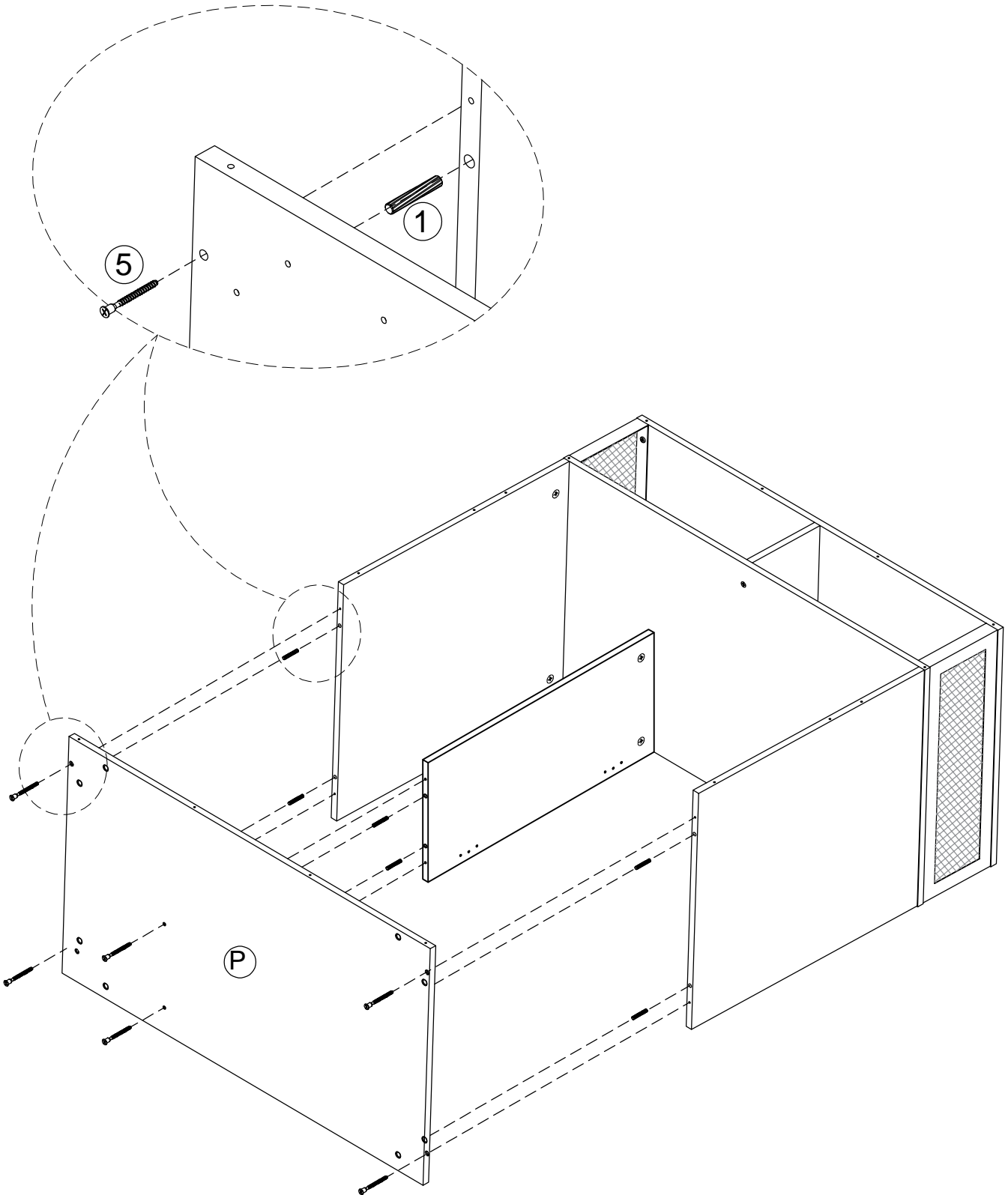


13

① x 6

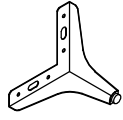


⑤ x 6

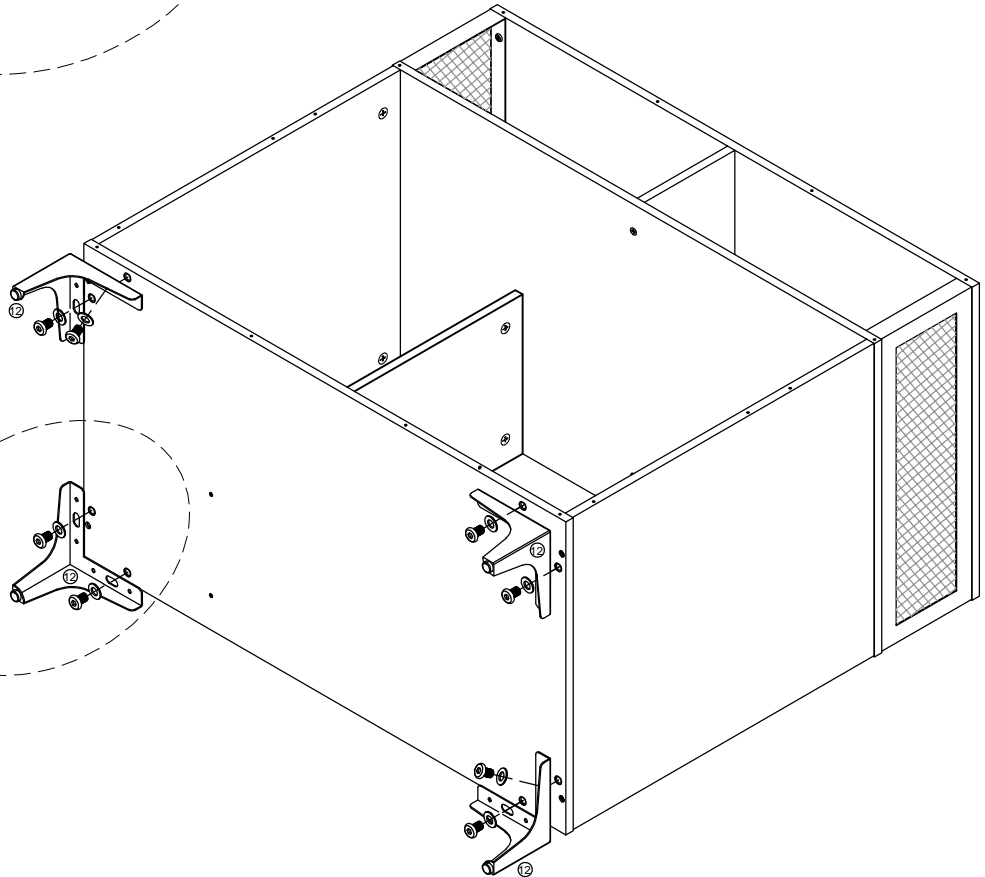
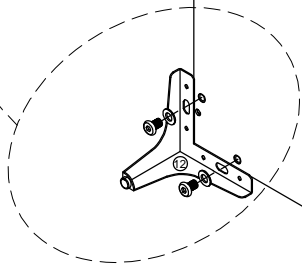
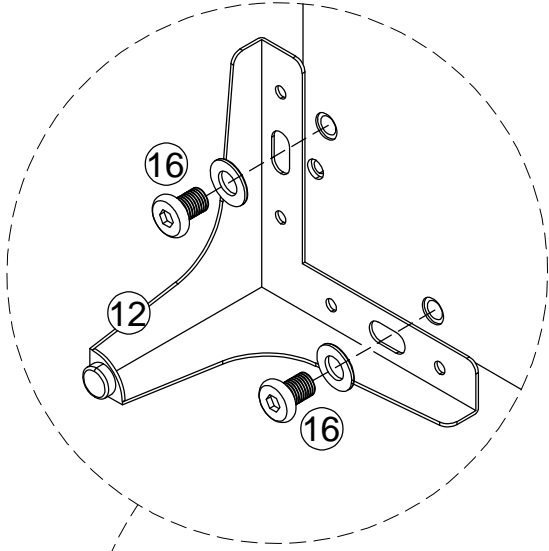
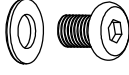


14

12 x 4

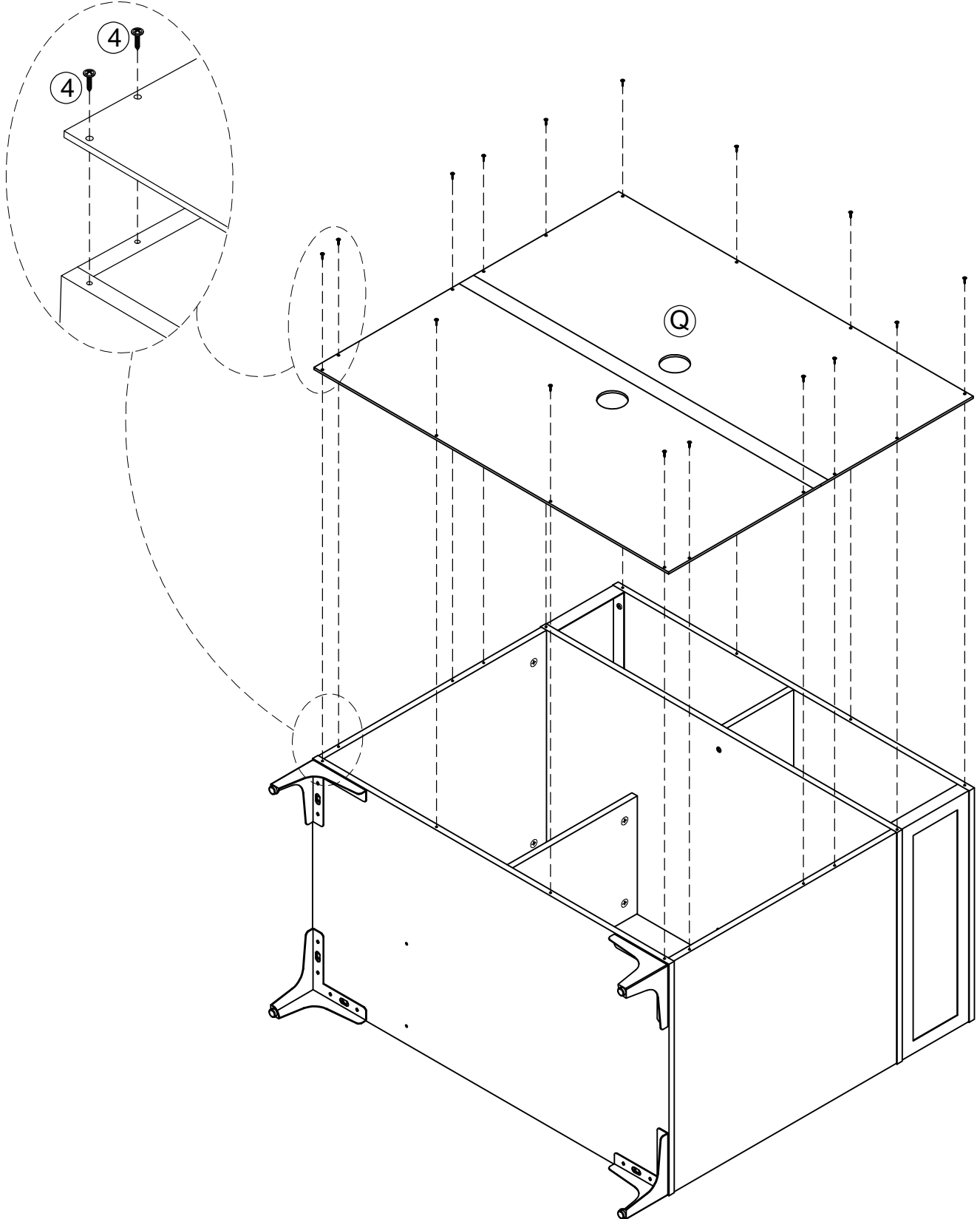


16 x 8



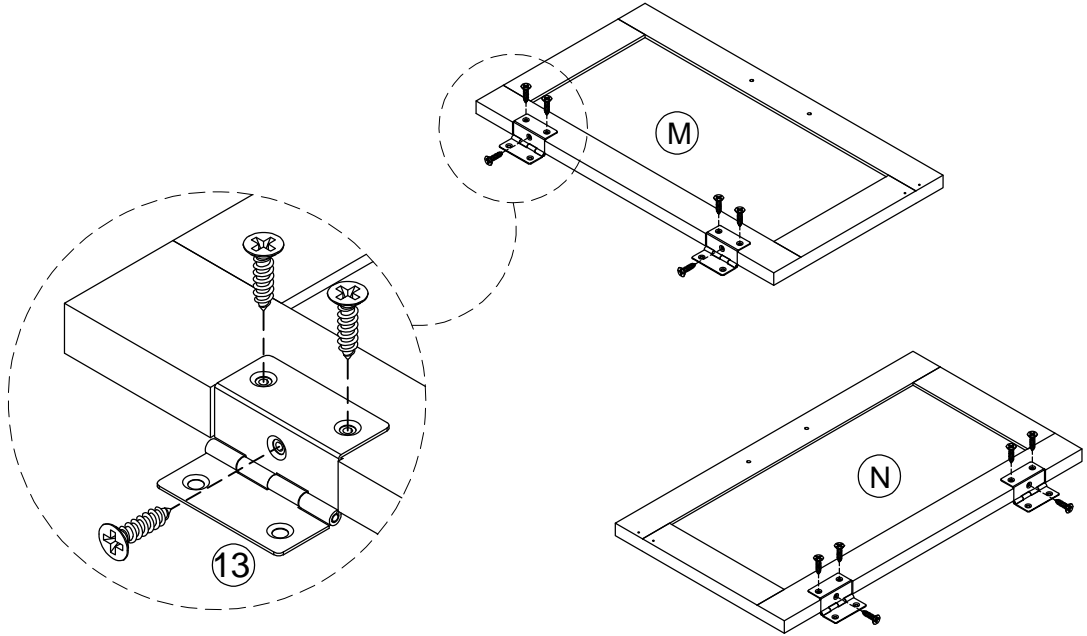
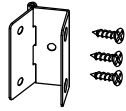
15

4 x 16



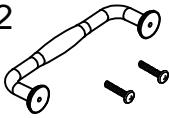
16

13 x4

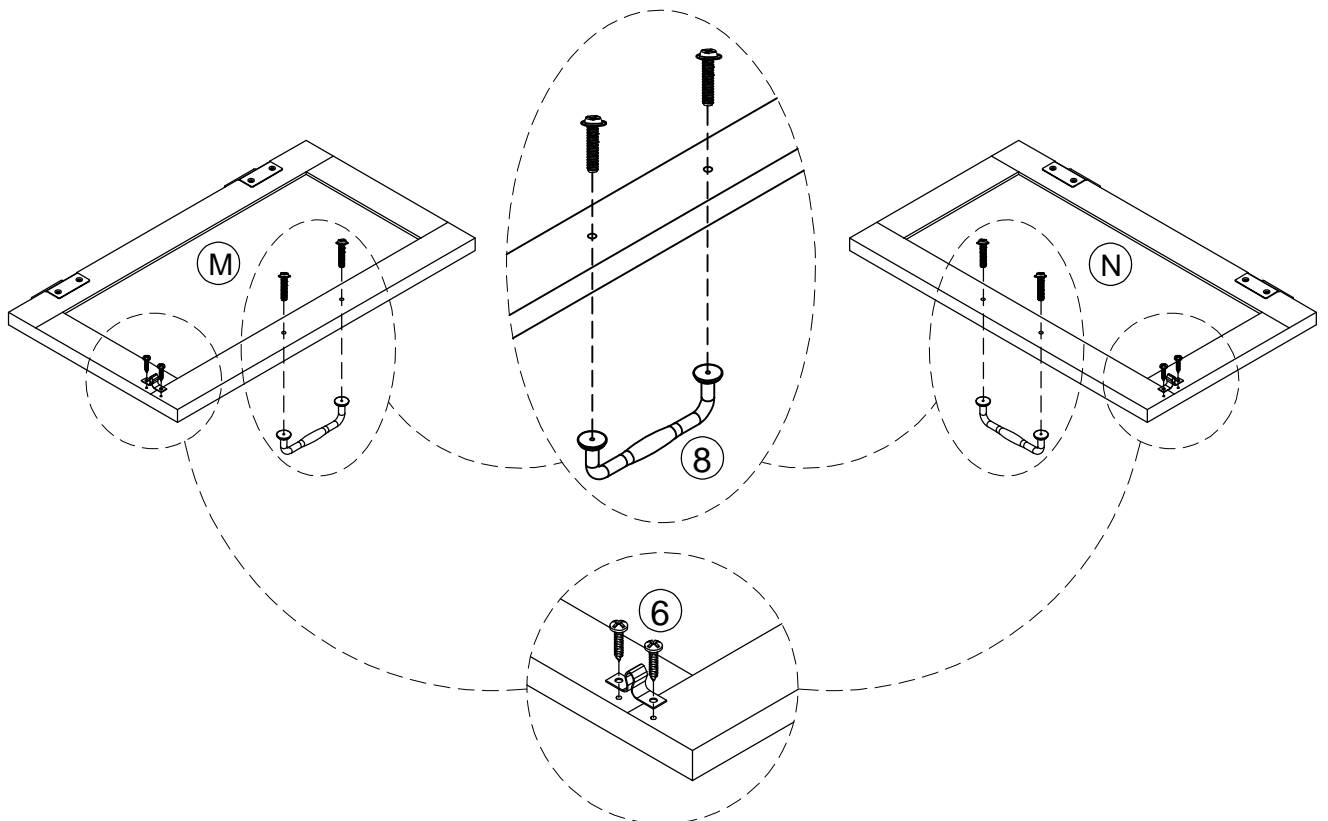


17

8 x2

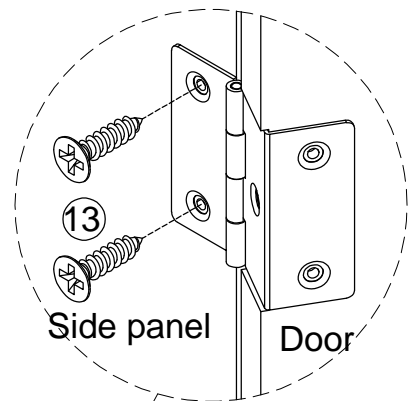
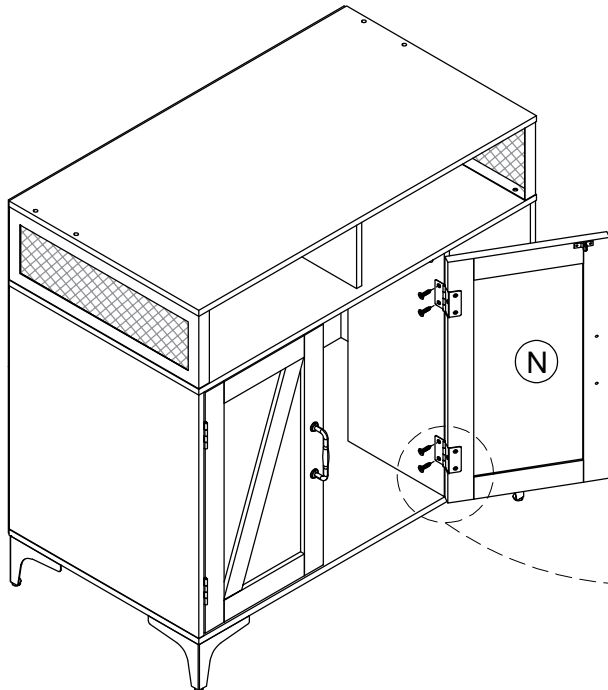
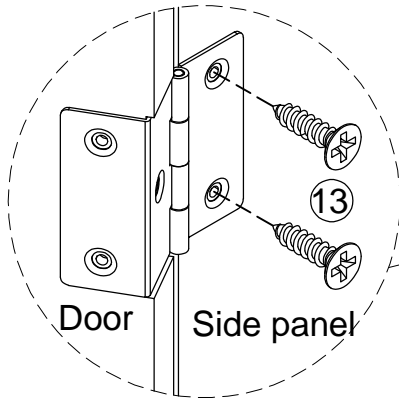
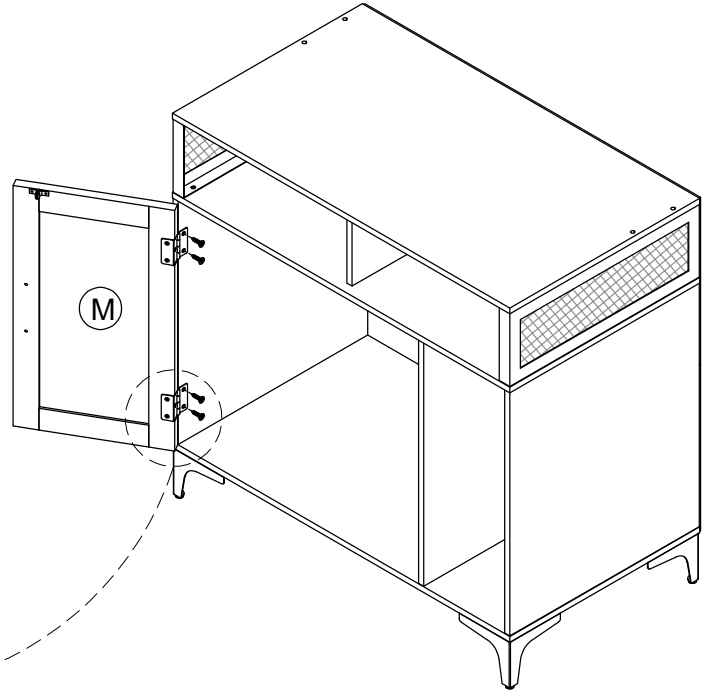
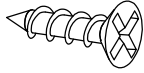


6 x2



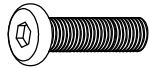
18

13 x8

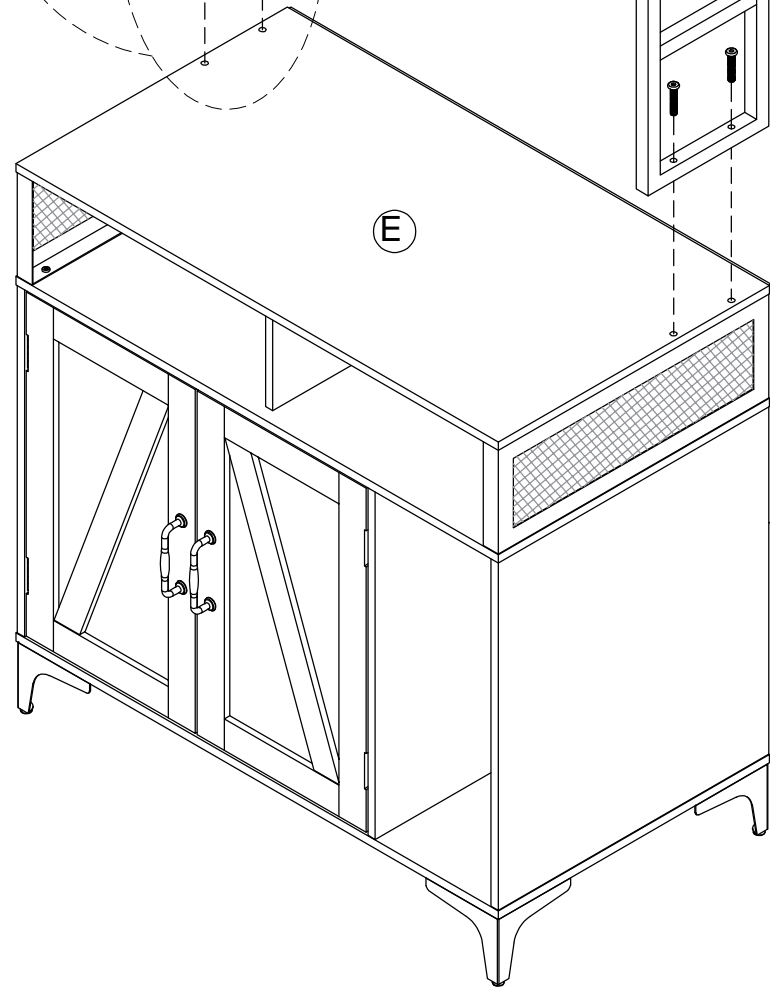
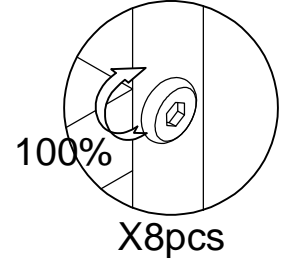
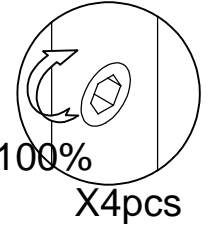
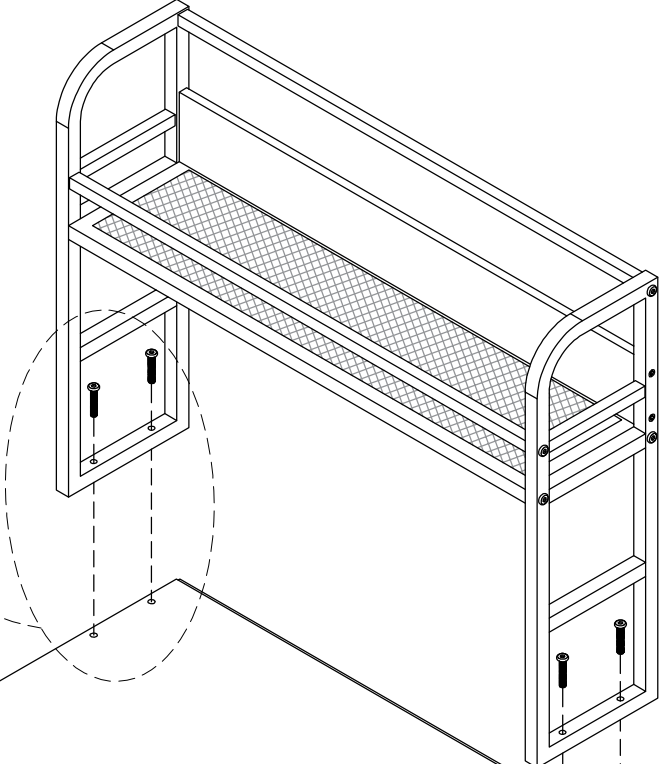
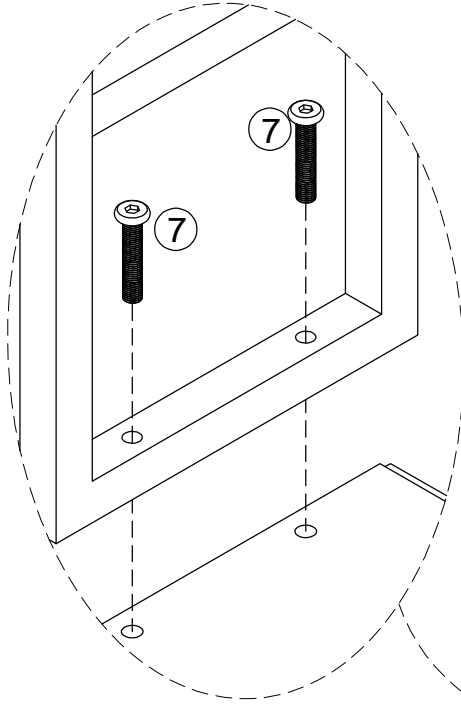


19

7 x4

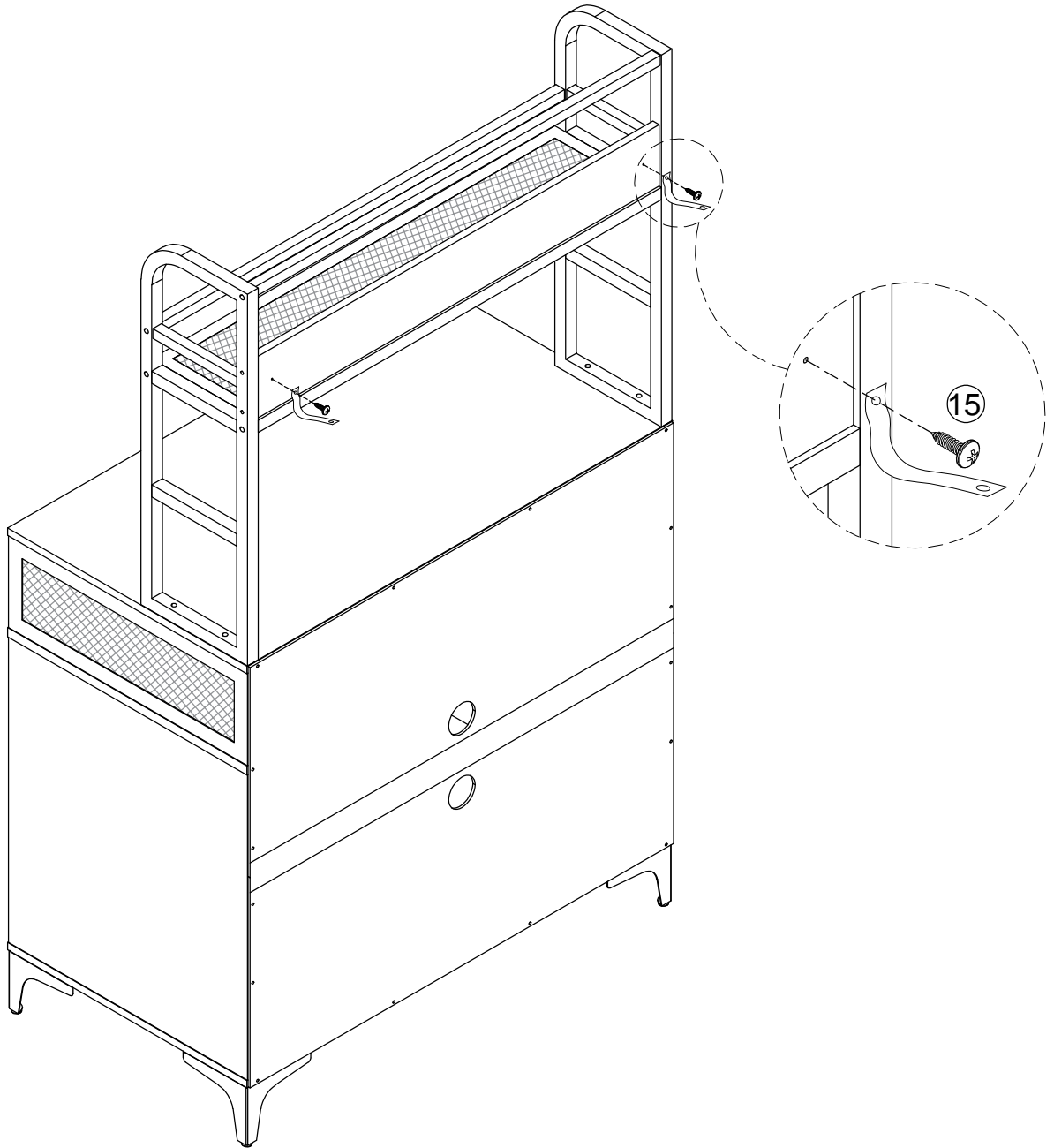


M6x28mm



20

15 x2



21

15 x2

