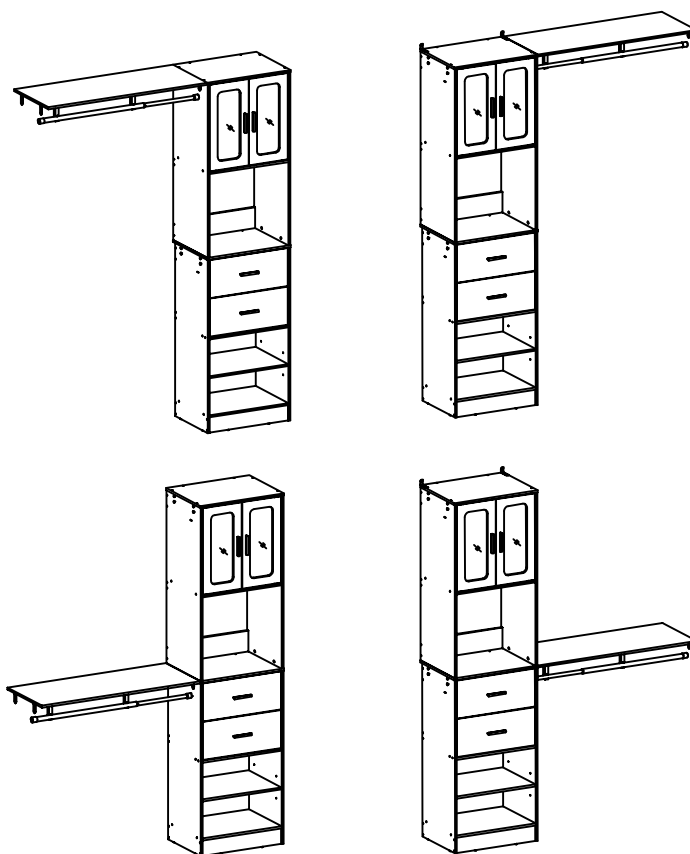


8FT Closet System with Single Shelves and Doors

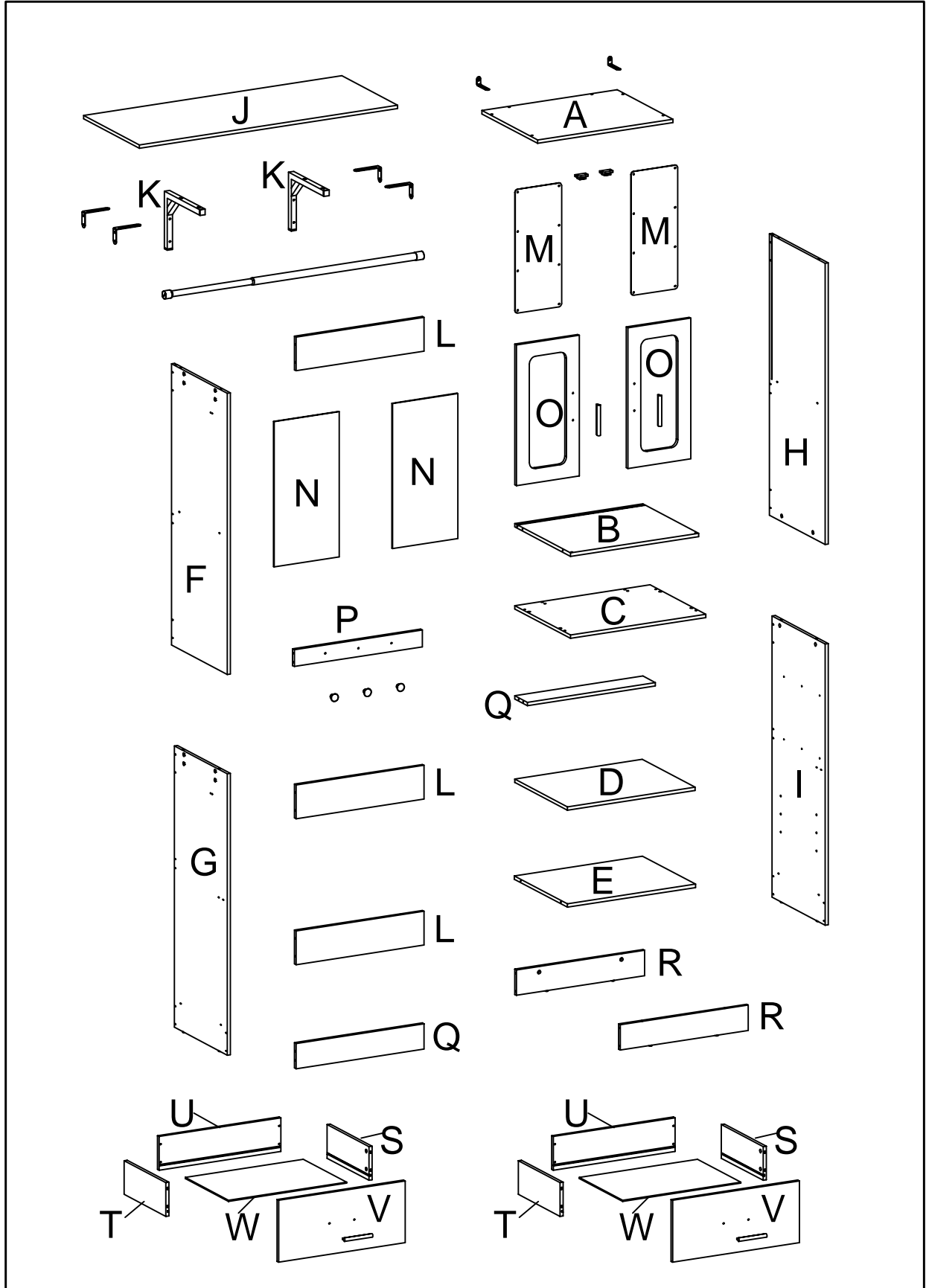
Assembly Instructions





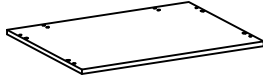


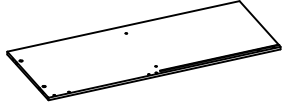
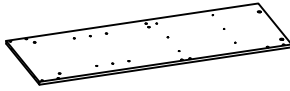
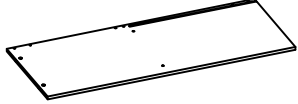
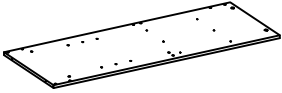

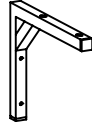

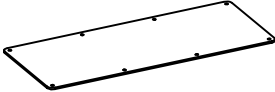

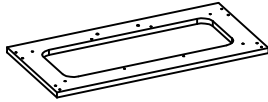
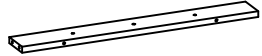





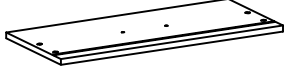

Attention: Please ensure you have all parts before commencing assembly.
Please read all the instructions before commencing.

Have problems when installing or missing parts?

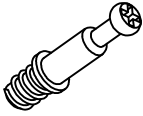

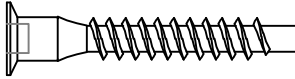

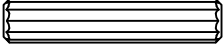

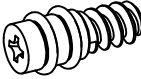


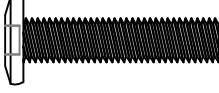

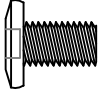

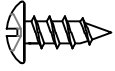



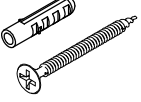
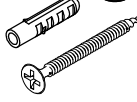
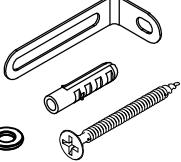

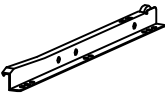
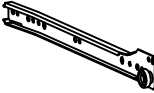
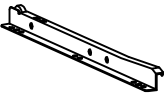
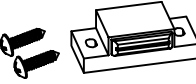

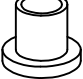

PART LIST



PART LIST

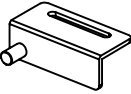
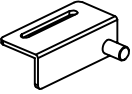

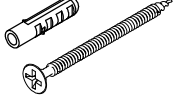


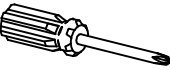
<p>A x 1pc</p> 	<p>B x 1pc</p> 	<p>C x 1pc</p> 	<p>D x 1pc</p> 
<p>E x 1pc</p> 	<p>F x 1pc</p> 	<p>G x 1pc</p> 	<p>H x 1pc</p> 
<p>I x 1pc</p> 	<p>J x 1pc</p> 	<p>K x 2pcs</p> 	<p>L x 3pcs</p> 
<p>M x 2pcs</p> 	<p>N x 2pcs</p> 	<p>O x 2pcs</p> 	<p>P x 1pc</p> 
<p>Q x 2pcs</p> 	<p>R x 2pcs</p> 	<p>S x 2pcs</p> 	<p>T x 2pcs</p> 
<p>U x 2pcs</p> 	<p>V x 2pcs</p> 	<p>W x 2pcs</p> 	

HARDWARE LIST

①  M6x28 20 pcs	②  Ø12 20 pcs	③  M6x40 52 pcs	④  M4x30 8 pcs
⑤  M6x30 4 pcs	⑥  M3x12 28 pcs	⑦  Ø7x19 4 pcs	⑧  M4x15 11 pcs
⑨  3 pcs	⑩  M6x27 4 pcs	⑪  M3.5x12 24 pcs	⑫  M6x10 4 pcs
⑬  100x55 4 pcs	⑭  M4x12 8 pcs	⑮  66-122cm 1 pc	⑯  1 pc
⑰  1 pc	⑱  M4x40 2 pcs	⑲  M4x40 4 pcs	⑳  M4x40 2 pcs
㉑  300L 2 pcs	㉒  300L 2 pcs	㉓  300L 2 pcs	㉔  300L 2 pcs
㉕  M3x16 2 pcs	㉖  M4x12 2 pcs	㉗  4 pcs	㉘  4 pcs

Please count and verify all parts before assembly.

HARDWARE LIST

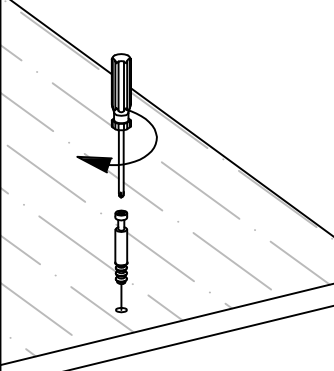
<p>29</p>  <p>2 pcs</p>	<p>30</p>  <p>2 pcs</p>	<p>31</p>  <p>2 pcs</p>	<p>32</p>  <p>M4x60 4 pcs</p>
<p>33</p>  <p>504L 1 pc</p>	<p>34</p>  <p>M4 1 pc</p>	<p>35</p>  <p>1 pc</p>	

Please count and verify all parts before assembly .

How to install Camlocks

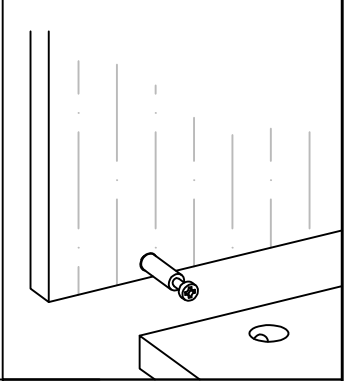
Connect the male camlock as directed in the assembly instructions with a screwdriver.

1 DO NOT OVER TIGHTEN



Put the male camlock into the entry hole.

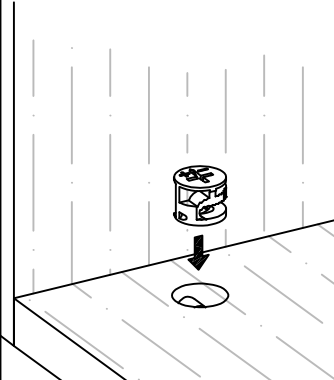
2



Insert the female camlock as shown in the instruction.

Note: ensure that the arrow on the top of the camlock points toward the entry hole for the male camlock.

3

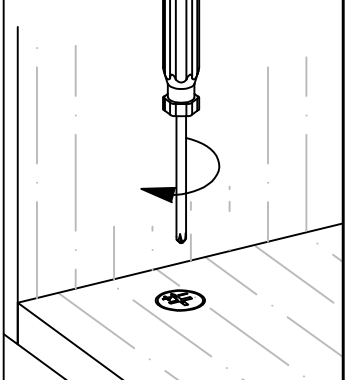


Screw the female camlock clockwise with a screwdriver.

You will feel a click when the camlock is locked in place.

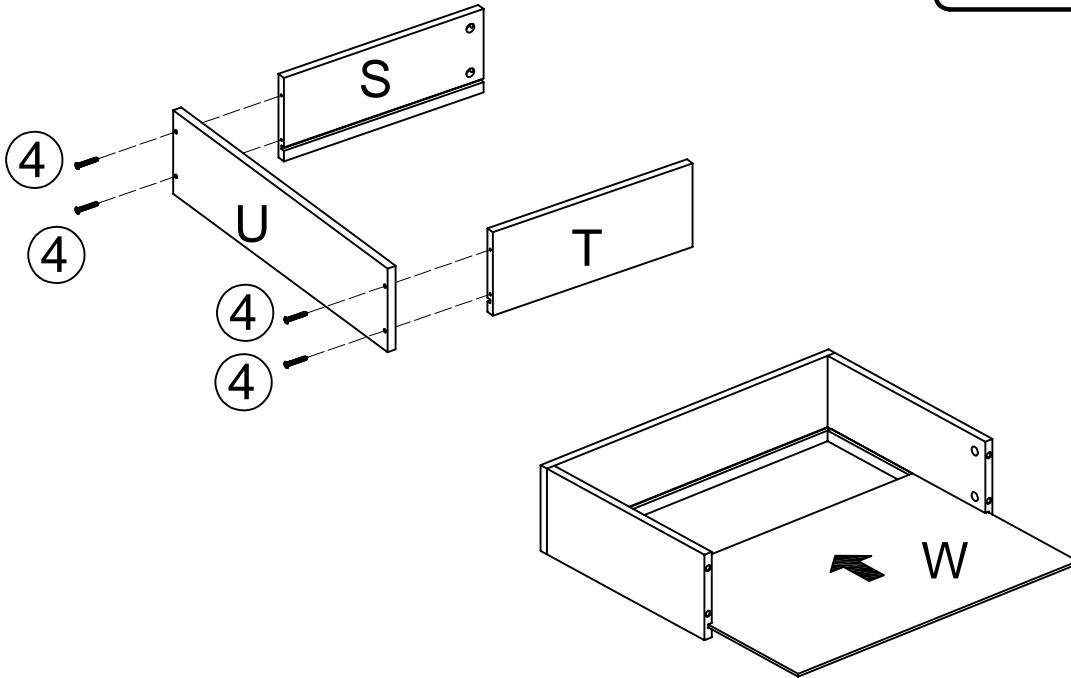
The camlock is now completed.

4



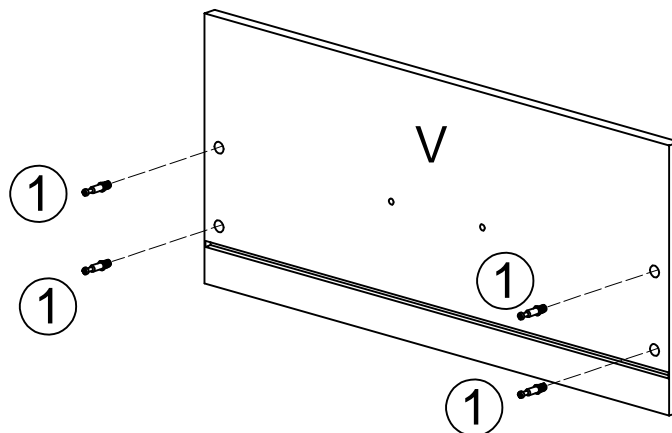
STEP 1

4  x4



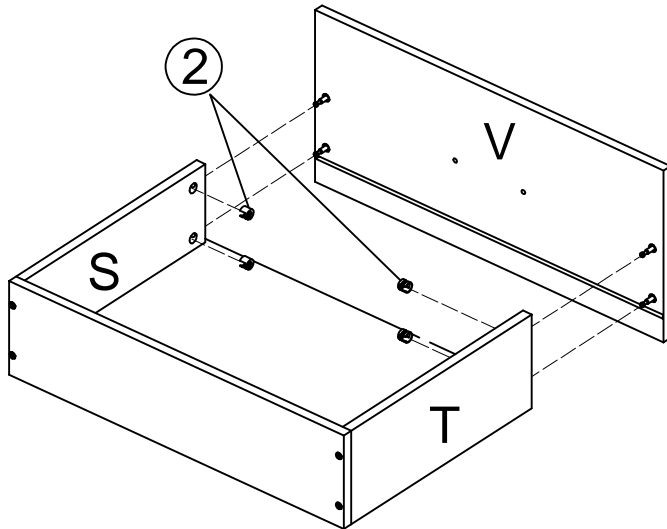
STEP 2

1  x4




STEP 3

2  x4

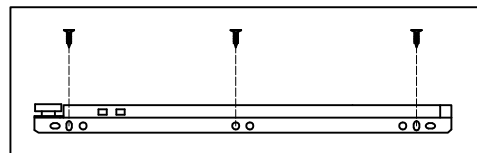
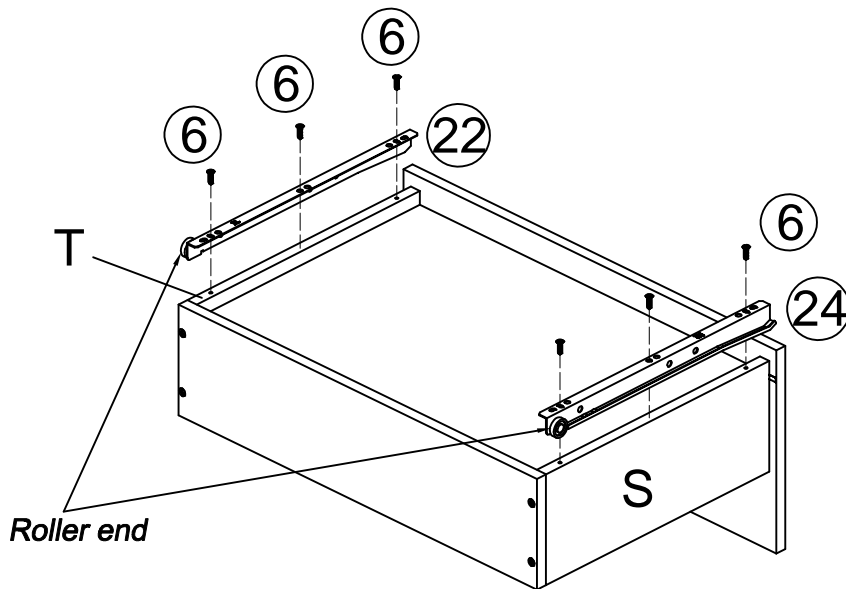


STEP 4

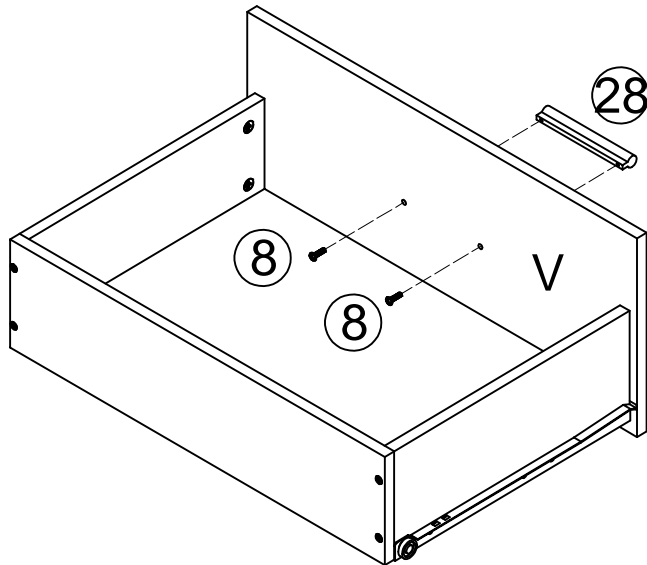
6  x6

22  x1

24  x1



STEP 5



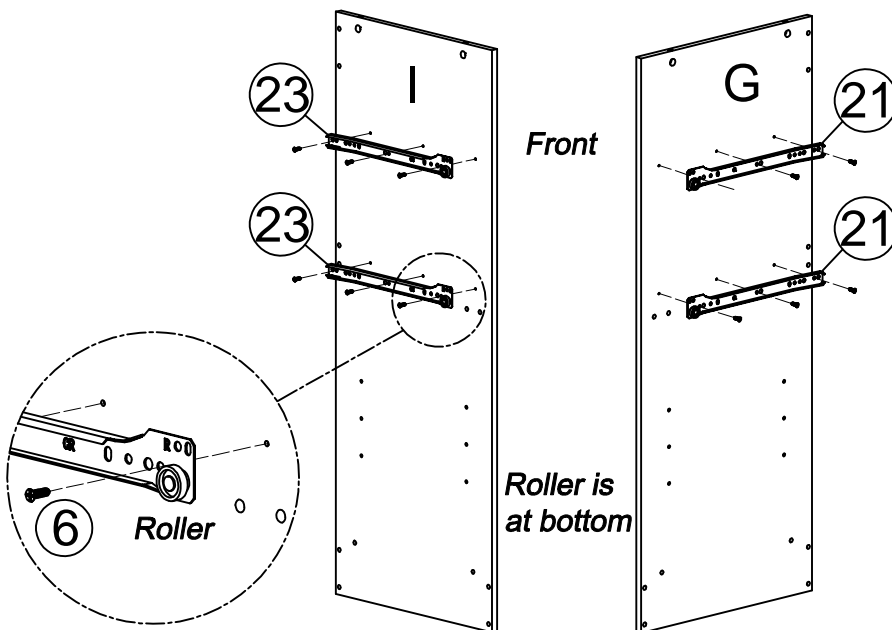
8 x2

28 x1

NOTICE:

The installation for all the two drawers is base on the five steps above.

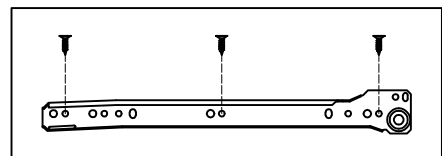
STEP 6



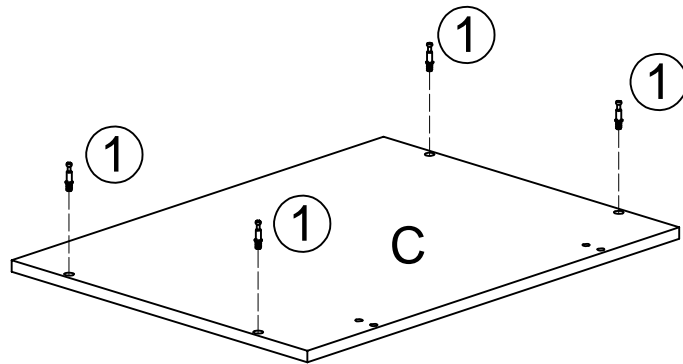
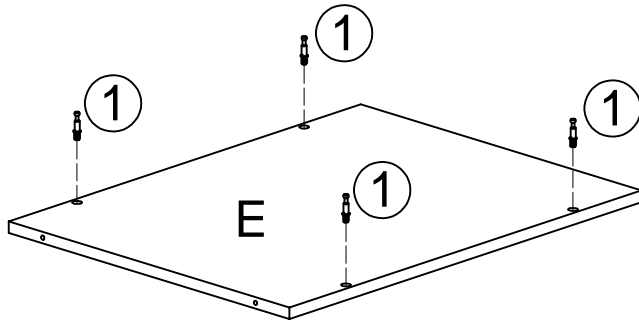
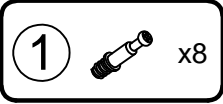
6 x12

21 x2

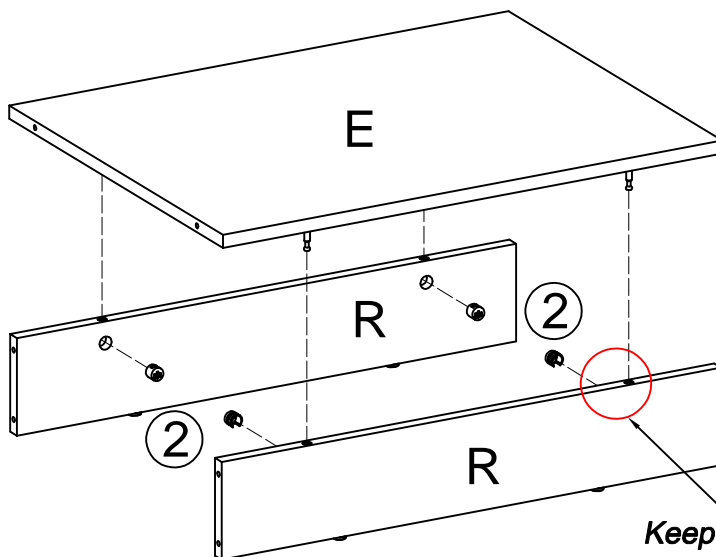
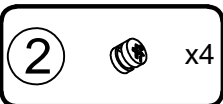
23 x2



STEP 7



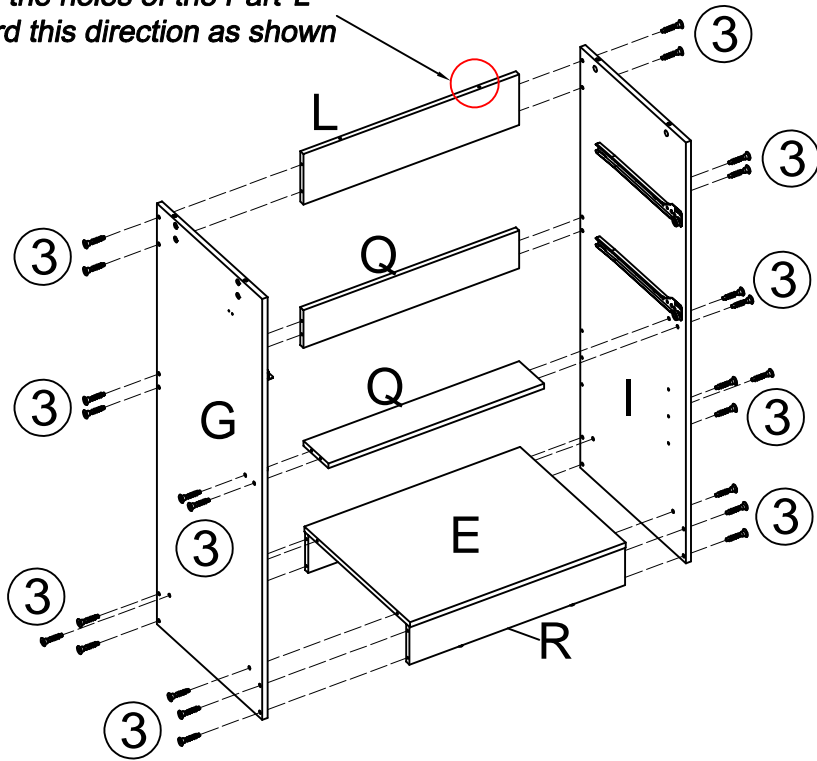
STEP 8



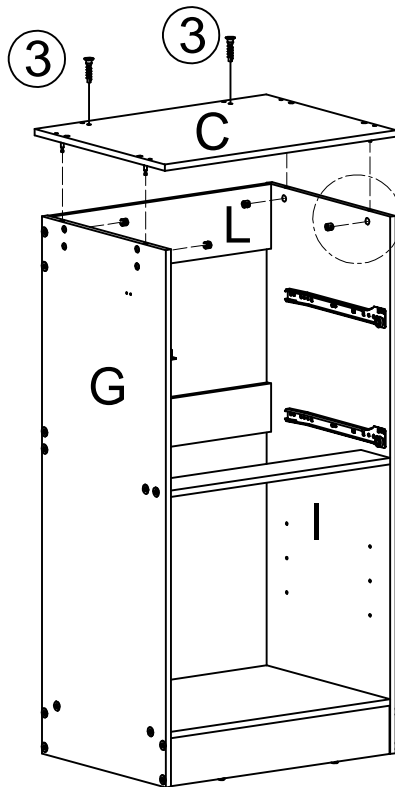
Keep the holes of the Part R toward this direction as shown

STEP 9

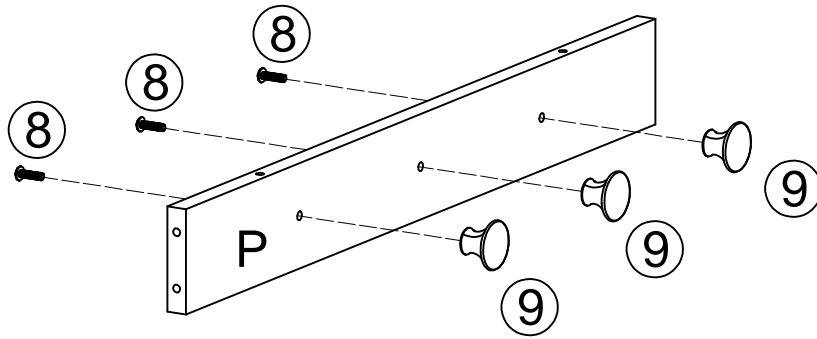
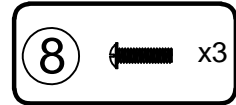
Keep the holes of the Part L toward this direction as shown



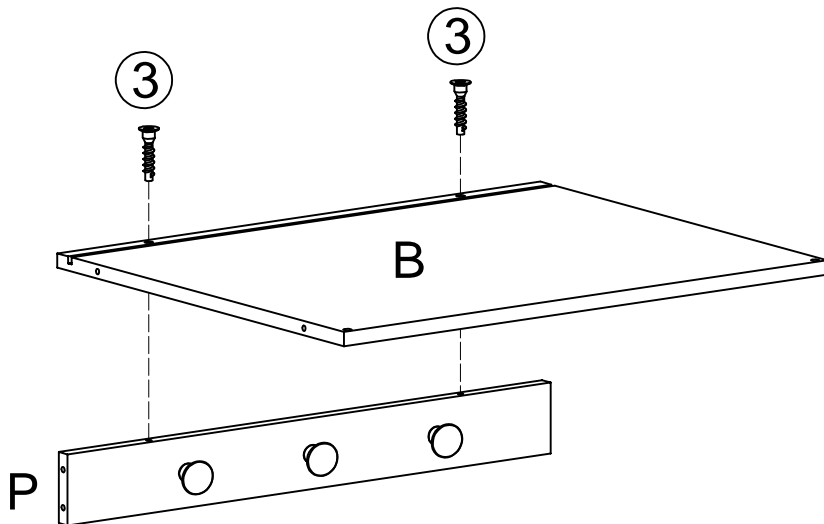
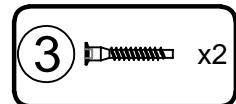
STEP 10



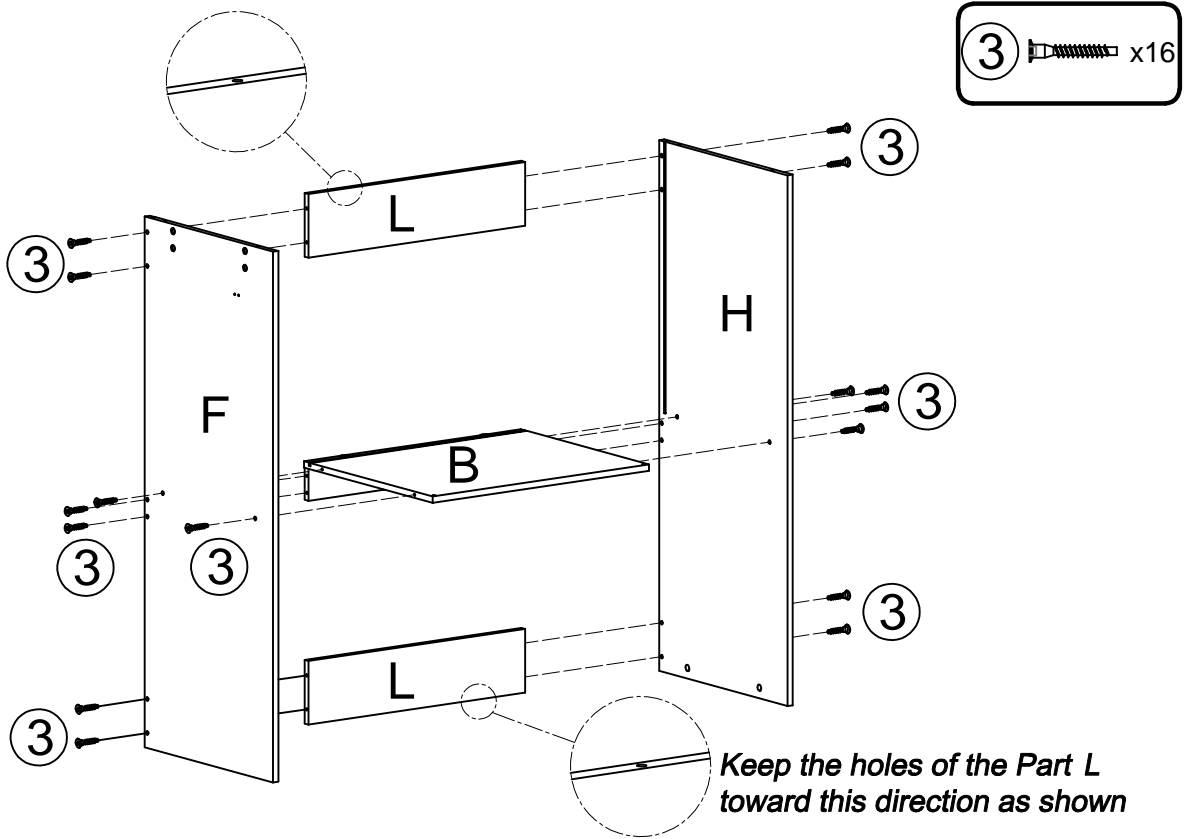
STEP 11



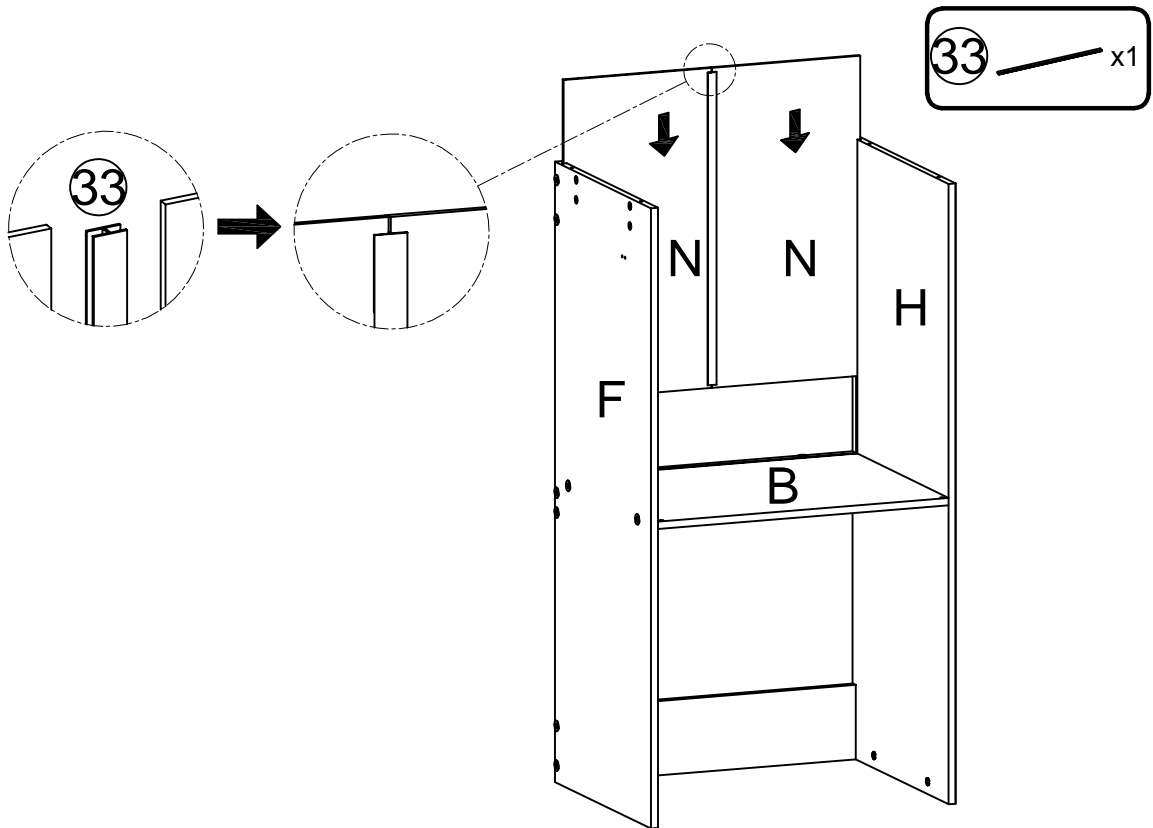
STEP 12



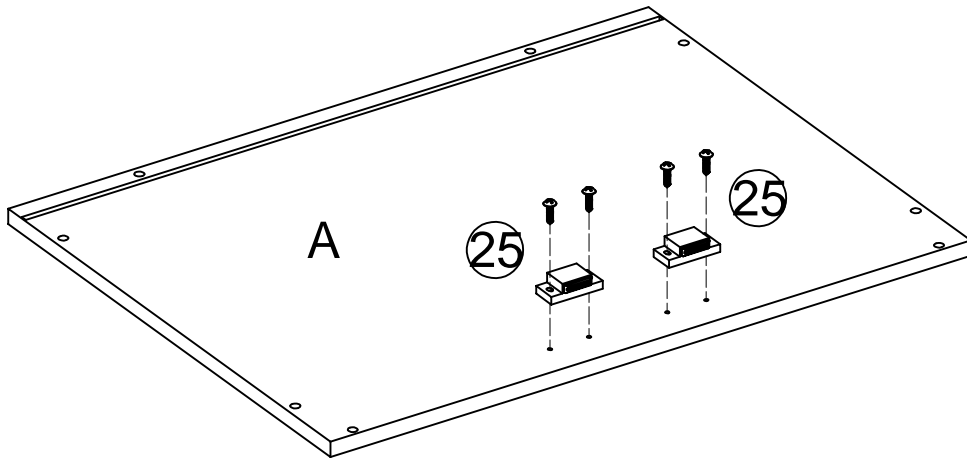
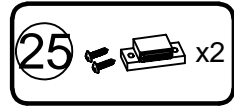
STEP 13



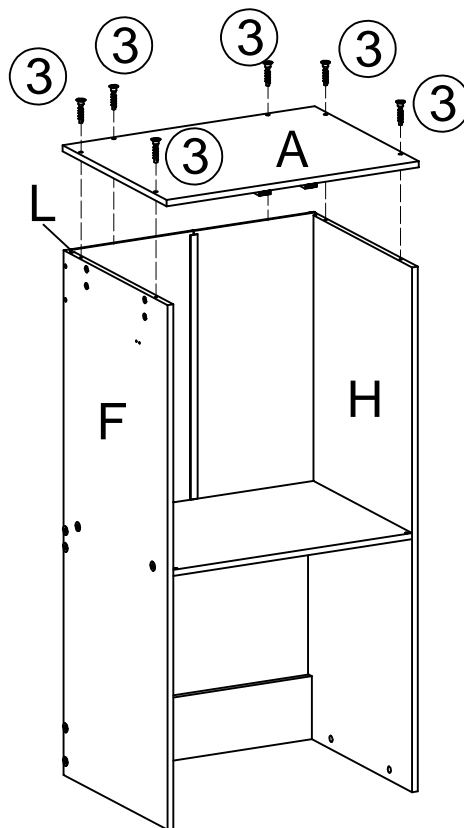
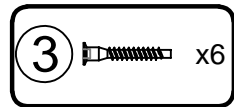
STEP 14



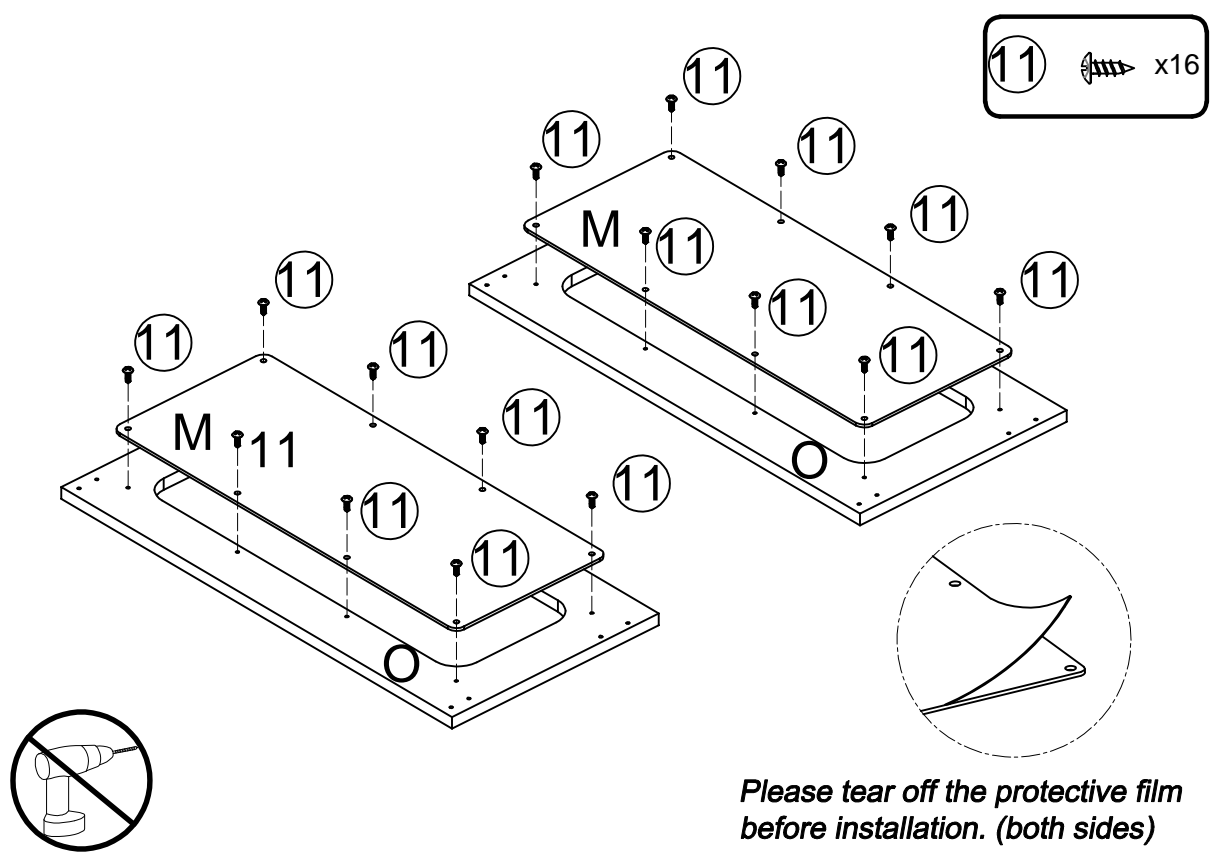
STEP 15



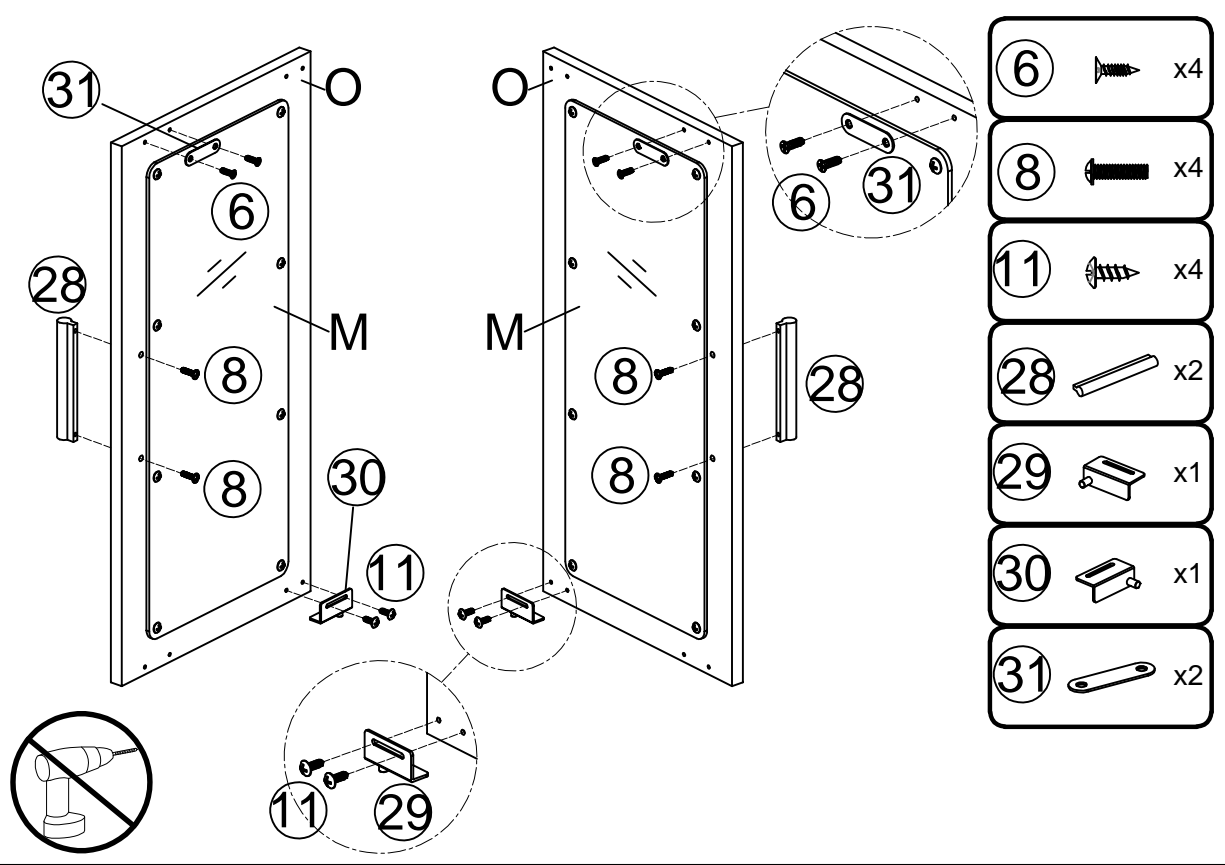
STEP 16



STEP 17



STEP 18



STEP 19

Diagram illustrating the assembly of a cabinet door (part B) onto the main cabinet body (part A). The door is shown being attached to the cabinet. The diagram includes callouts for parts 29, 30, 27, and 11. A 'no power drill' symbol is shown in the bottom left corner.

Parts List:

- 11: Screw x4
- 29: Bracket x1
- 30: Bracket x1
- 27: Cap x4

Assembly Steps:

Step 1: Insert cap (27) into the cabinet body.

Step 2: Attach bracket (30) to the cabinet body, then screw (11) into the door.

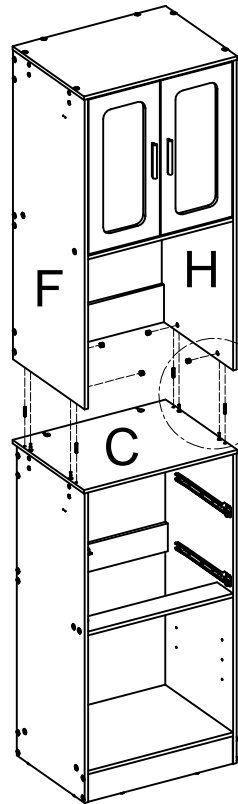
STEP 20



Diagram illustrating the assembly of the cabinet top (part C). The top panel is shown being attached to the cabinet body. The diagram includes callouts for part 1, indicating the screws used for attachment. A screwdriver icon is shown in the top right corner.

Parts List:

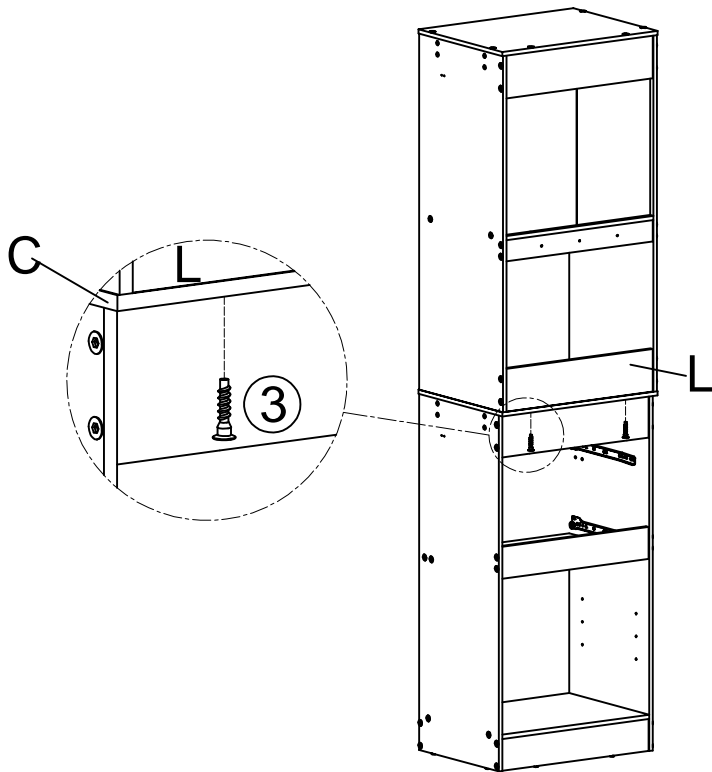
- 1: Screw x4


STEP 21



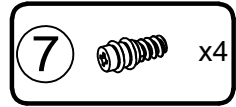
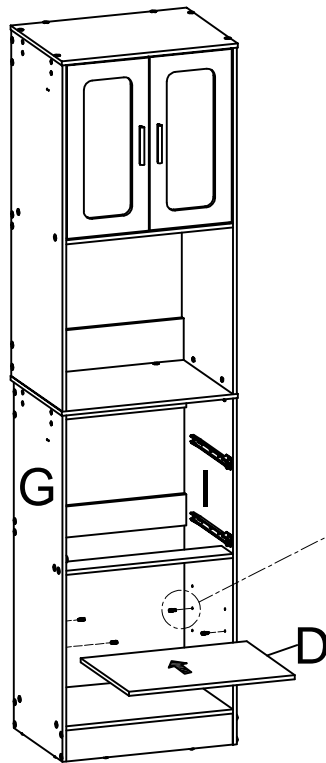
- ②  x4
- ⑤  x4

STEP 22



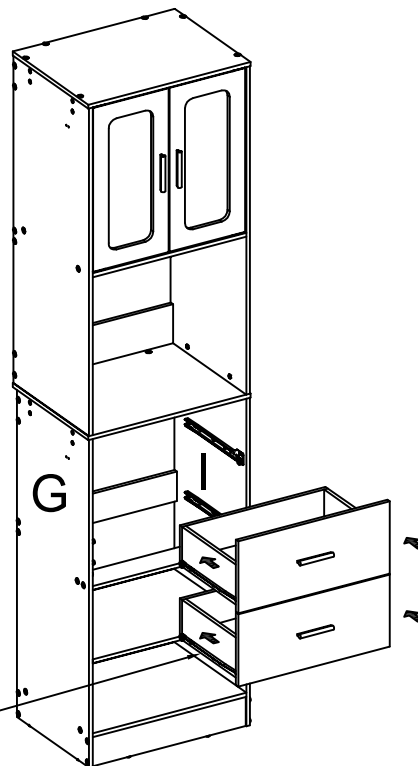
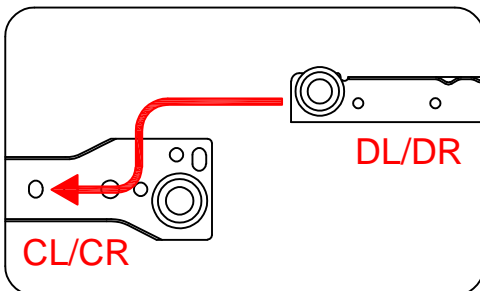
- ③  x2

STEP 23



There are 3 heights for the upper shelves to be adjusted as you need.

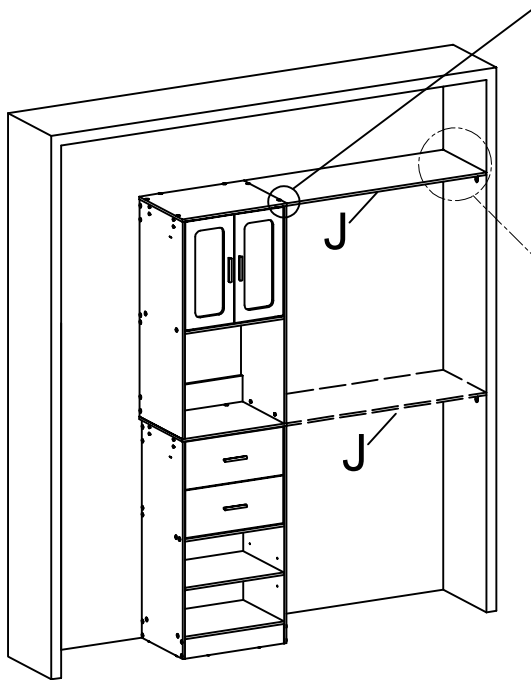
STEP 24






Please put the wheels align with the slots as the instruction shows, then slide into them

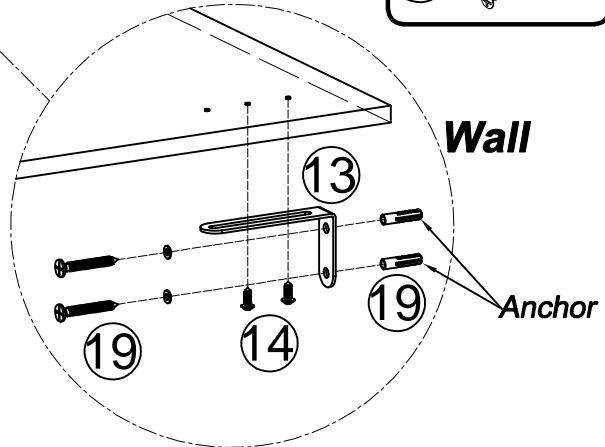
STEP 25

Long Shelf installation

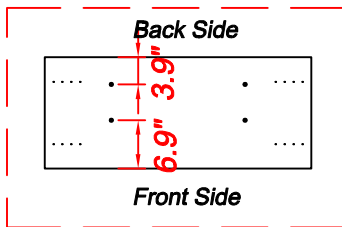


There are 2 heights for the right shelf and pole to be adjusted as you need.

- 13  x2
- 14  x4
- 19  x4



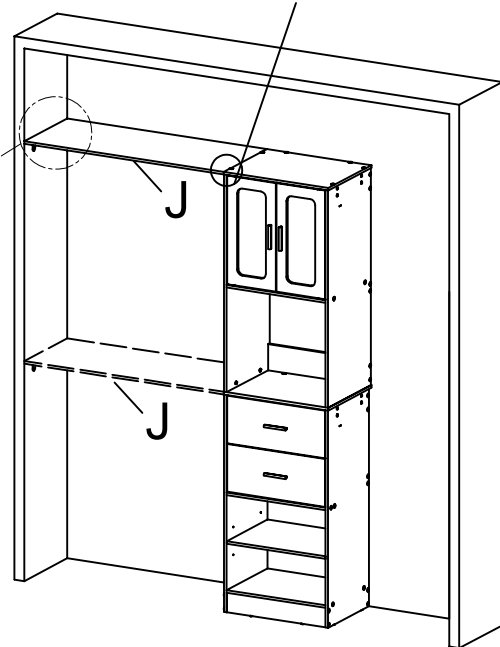
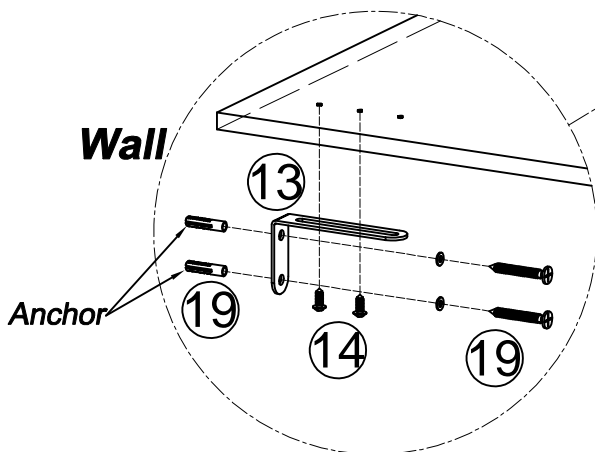
Note: If long shelf (J) needs cut to fit inside your closet space, cut the shelf and do not use a hacksaw. It is recommended you hire an insured remodeler for this type of installation.






Keep the holes of the Part J toward this direction as shown

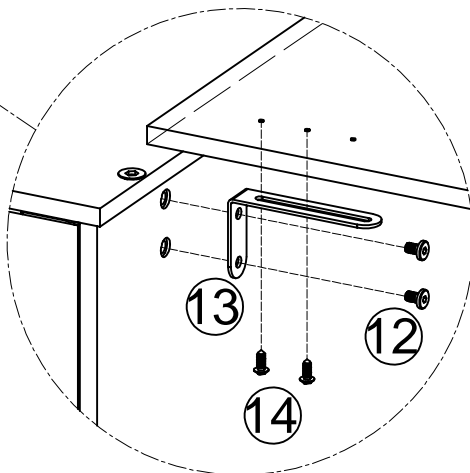
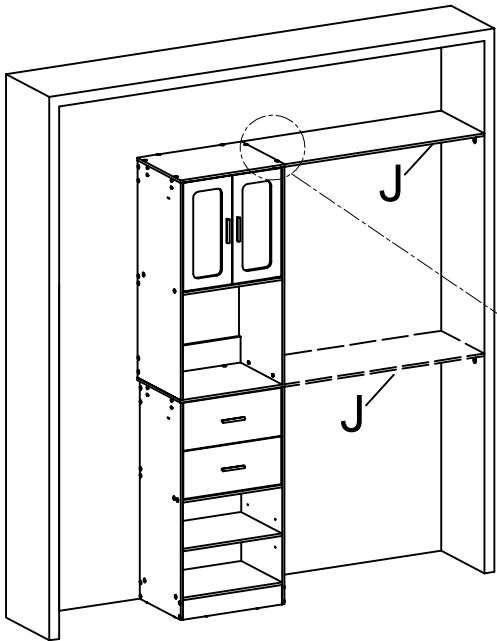
OR

There are 2 heights for the left shelf and pole to be adjusted as you need.



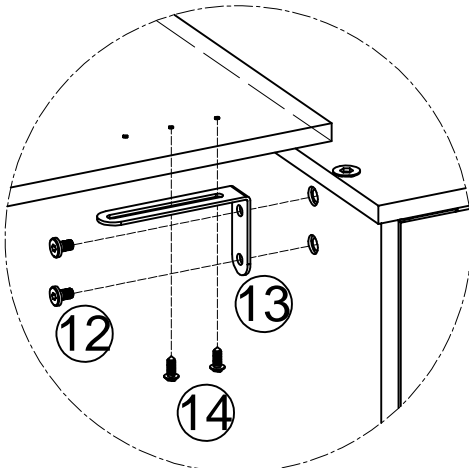
STEP 26

- 13**  x2
- 14**  x4
- 12**  x4

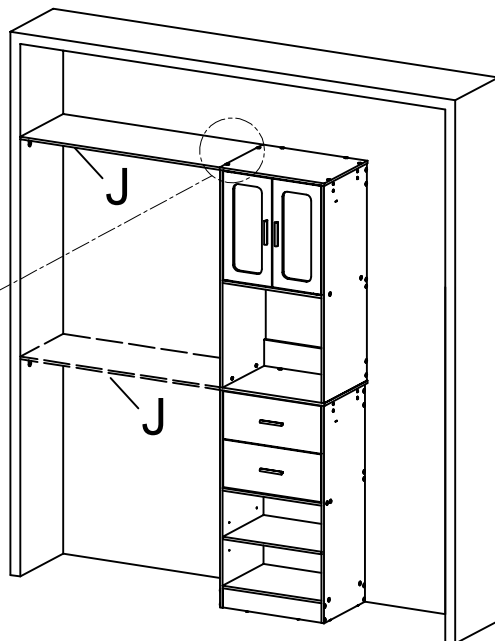


OR

CABINET

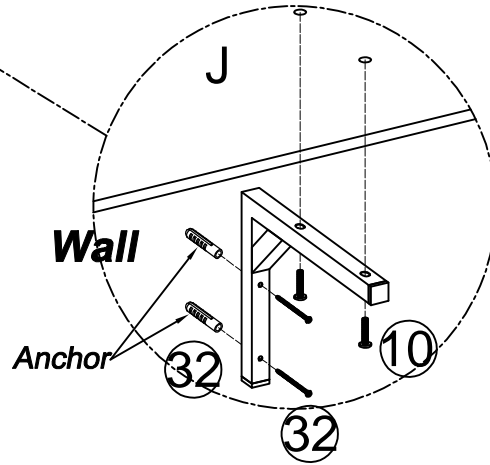
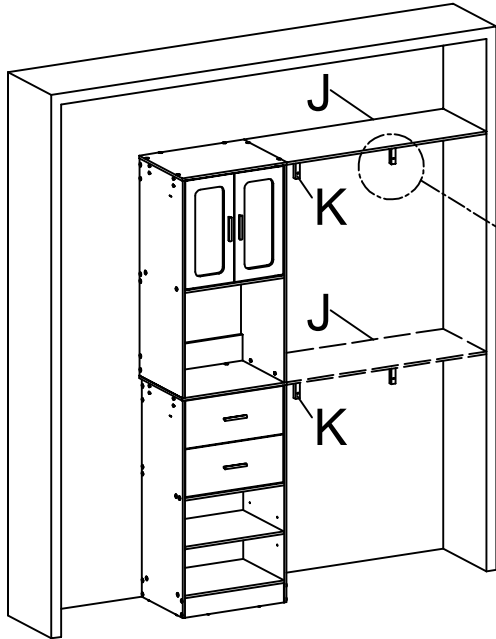
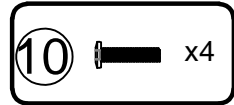


CABINET

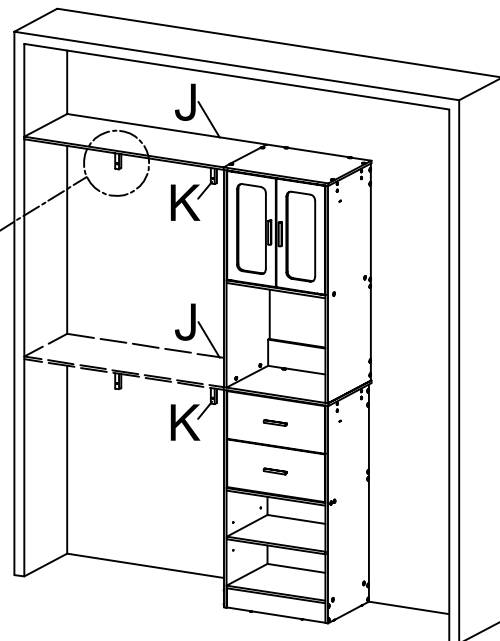
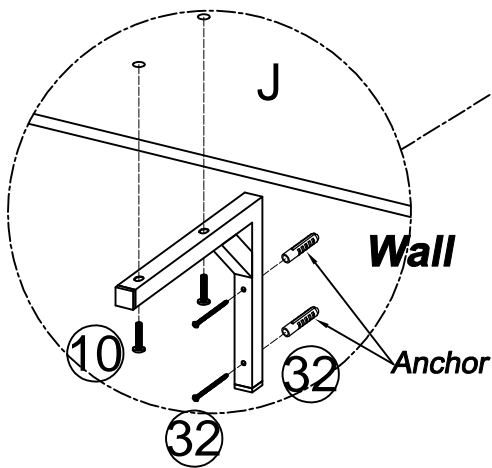


STEP 27

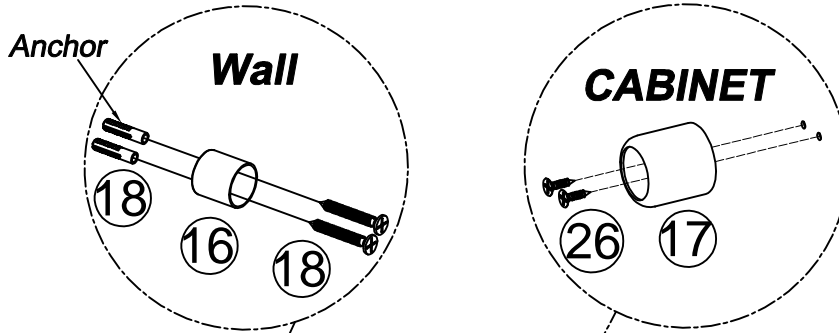
Shelf Support Installation



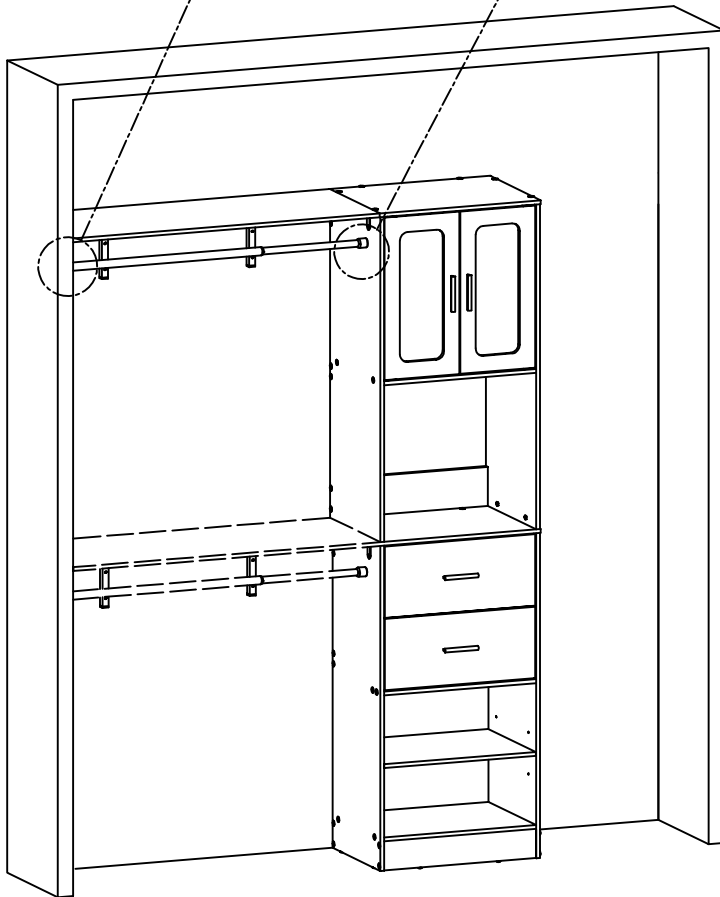
OR



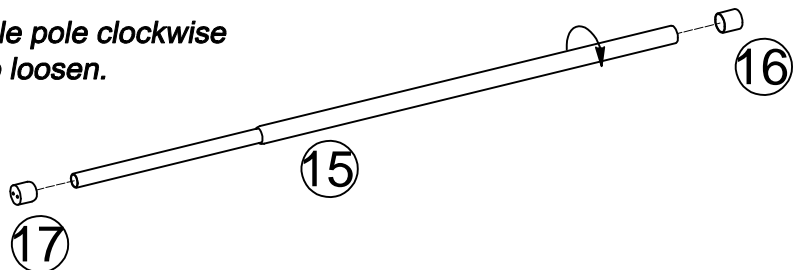
STEP 28



- (15) — x1
- (16) — x1
- (17) — x1
- (26) — x2
- (18) — x2

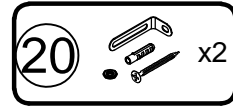


Note: Twist the expandable pole clockwise to tighten. anticlockwise to loosen.



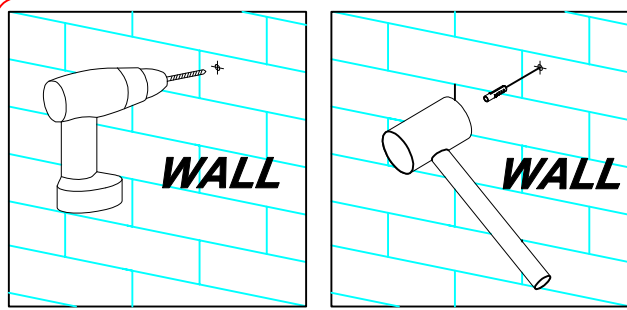
STEP 29

TIPPING RESTRAINT HARDWARE



Note: We have included two Tipping Restraint Hardware set for this Unit. When properly installed, this restraint can provide protection against the unexpected tipping of the Unit due to small tremors, bumps or climbing. We strongly recommend mounting this hardware to a wall stud and your Unit.

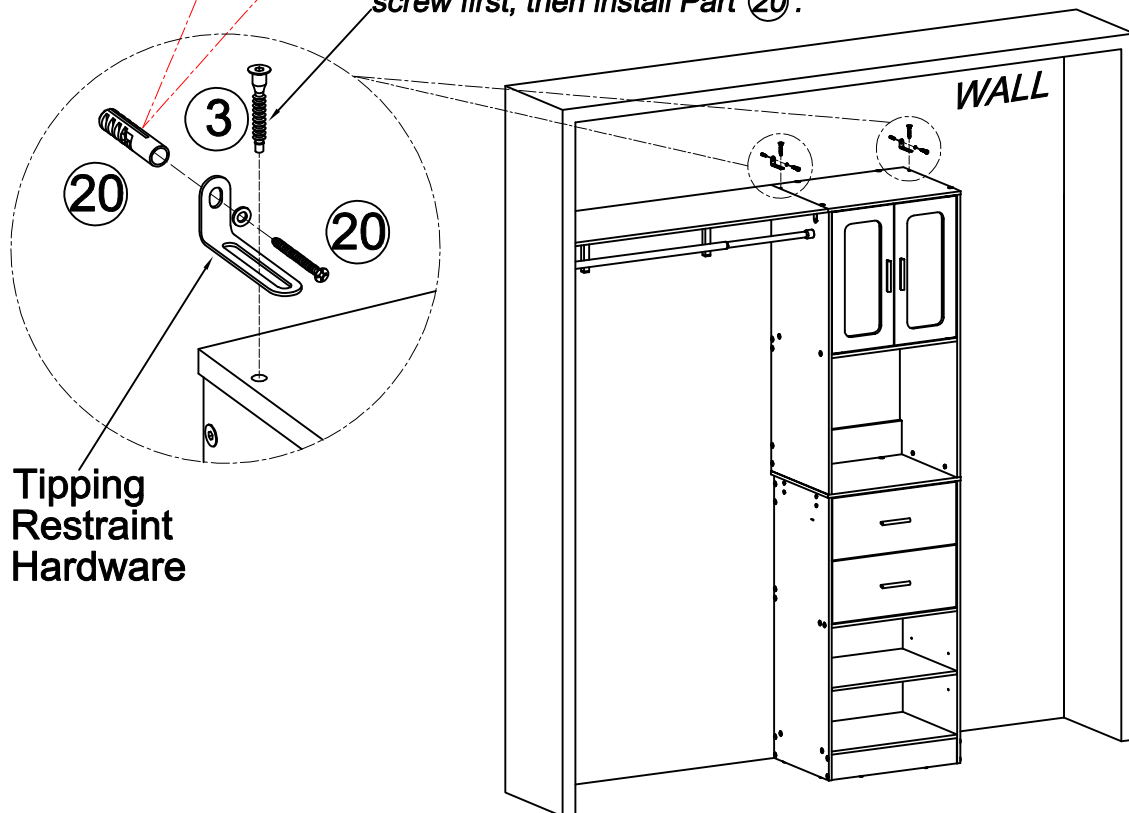
Note: You must install the Tipping Restraint Hardware with the unit in use to prevent any accidents or damage to the unit.



Step 1

Step 2

Please unscrew one Part ③ screw first, then install Part ②0.



Tipping Restraint Hardware