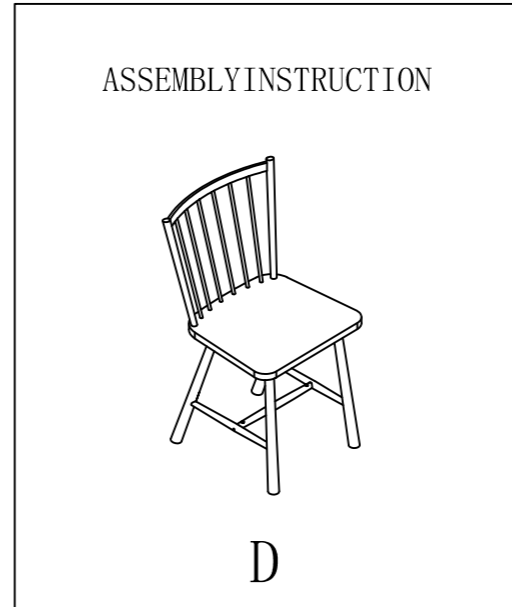
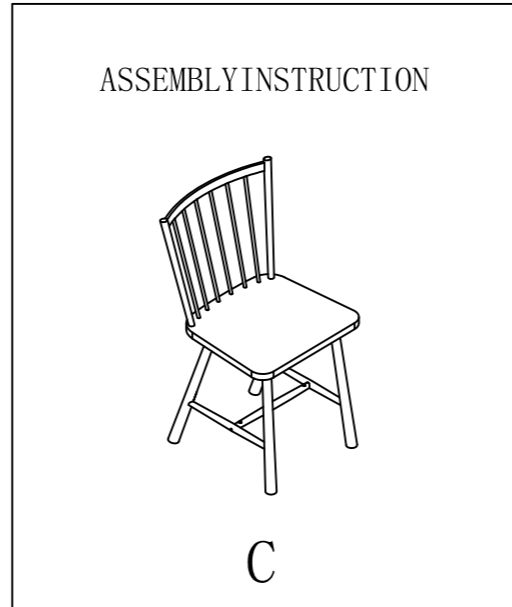
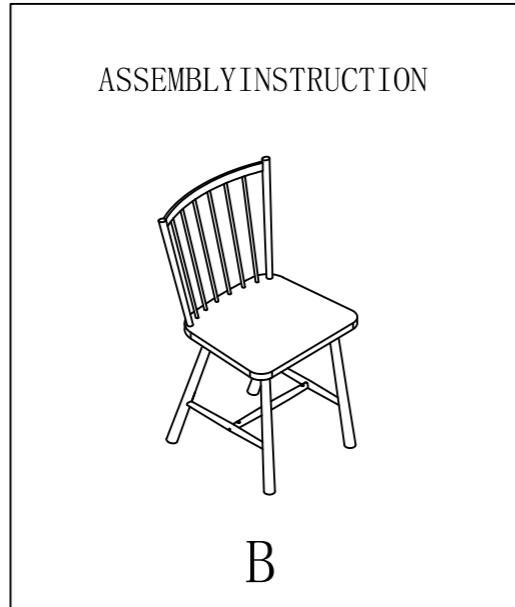
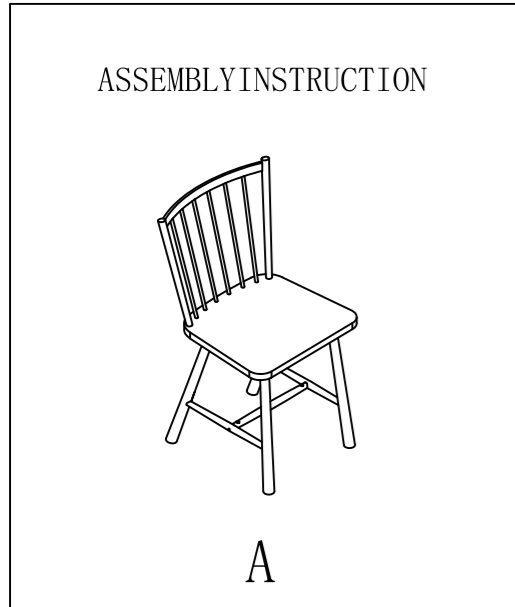


# Installation Instruction-HL311



Component List

A1		1PCS
A2		1PCS
A3		1PCS
A4		1PCS

Component List

B1		1PCS
B2		1PCS
B3		1PCS
B4		1PCS

Component List

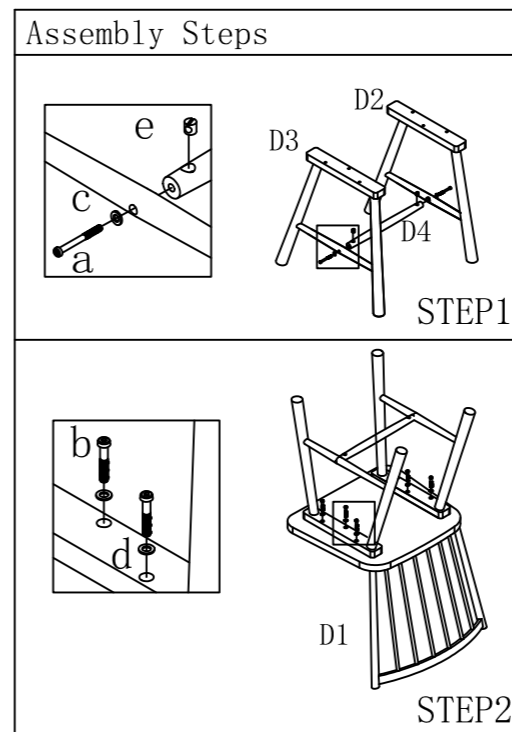
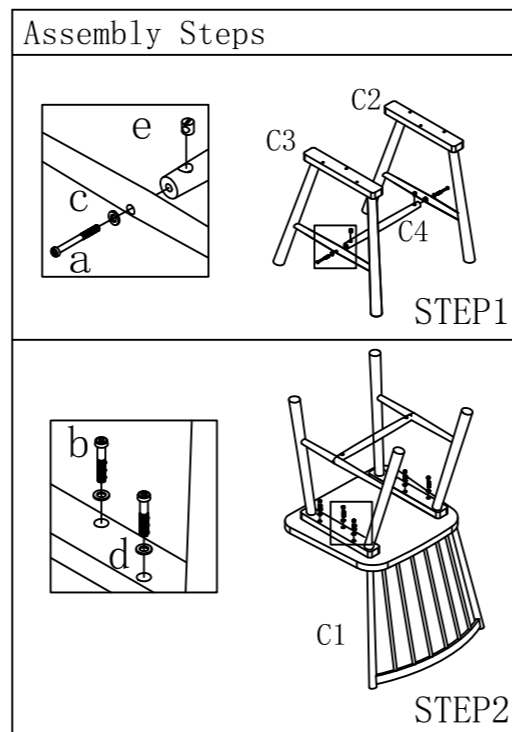
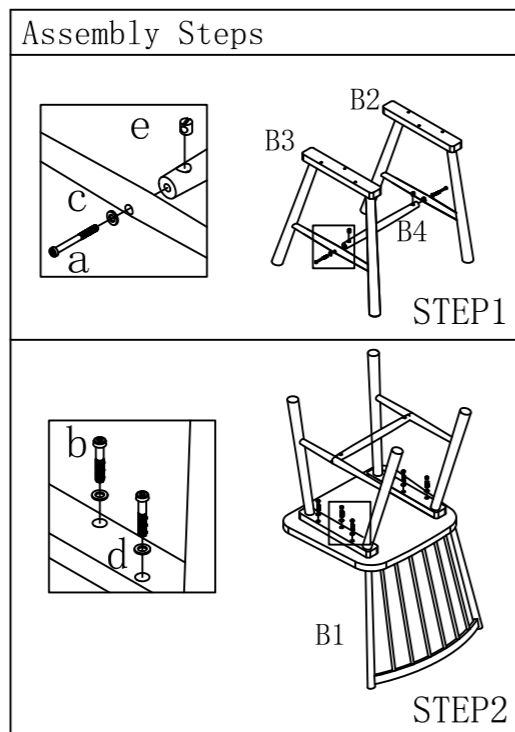
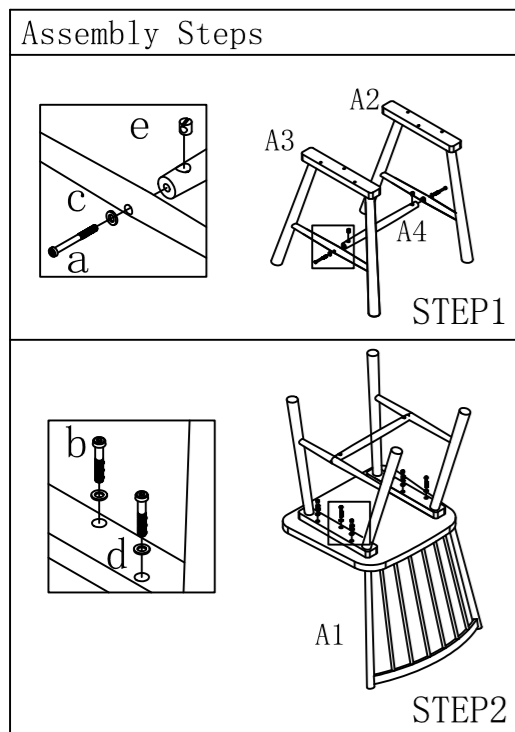
C1		1PCS
C2		1PCS
C3		1PCS
C4		1PCS

Component List

D1		1PCS
D2		1PCS
D3		1PCS
D4		1PCS

Component List

a		M6*60	2PCS
b		M8*45	6PCS
c		M6	2PCS
d		M8	6PCS
e		M6	2PCS
		M6	
		M8	



**NOTE:** In order to achieve the best results, each component needs to correspond to each other, example: A1,A2,A3,A4 to form a chair A