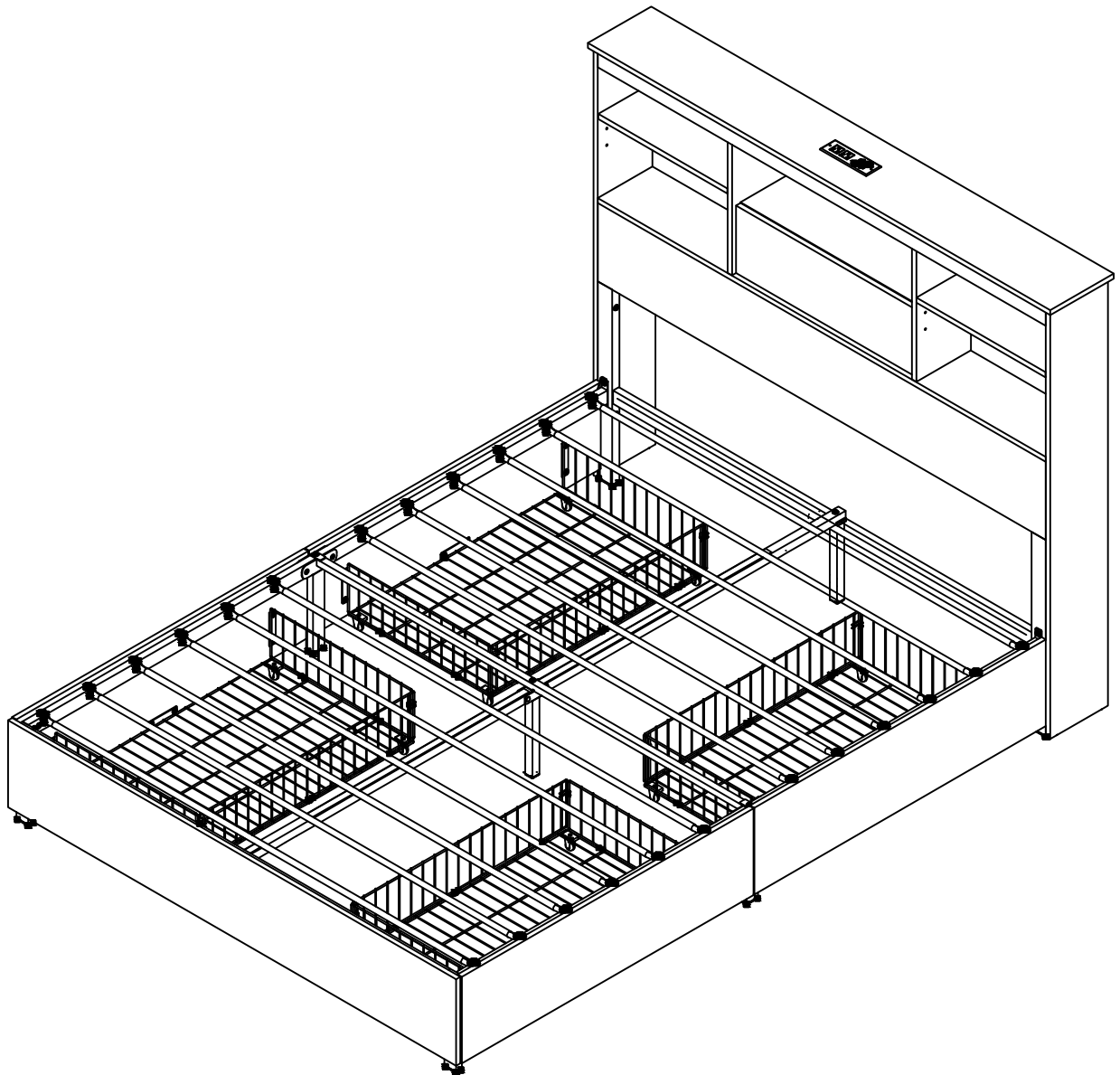


ASSEMBLY INSTRUCTIONS

Storage Platform Bed

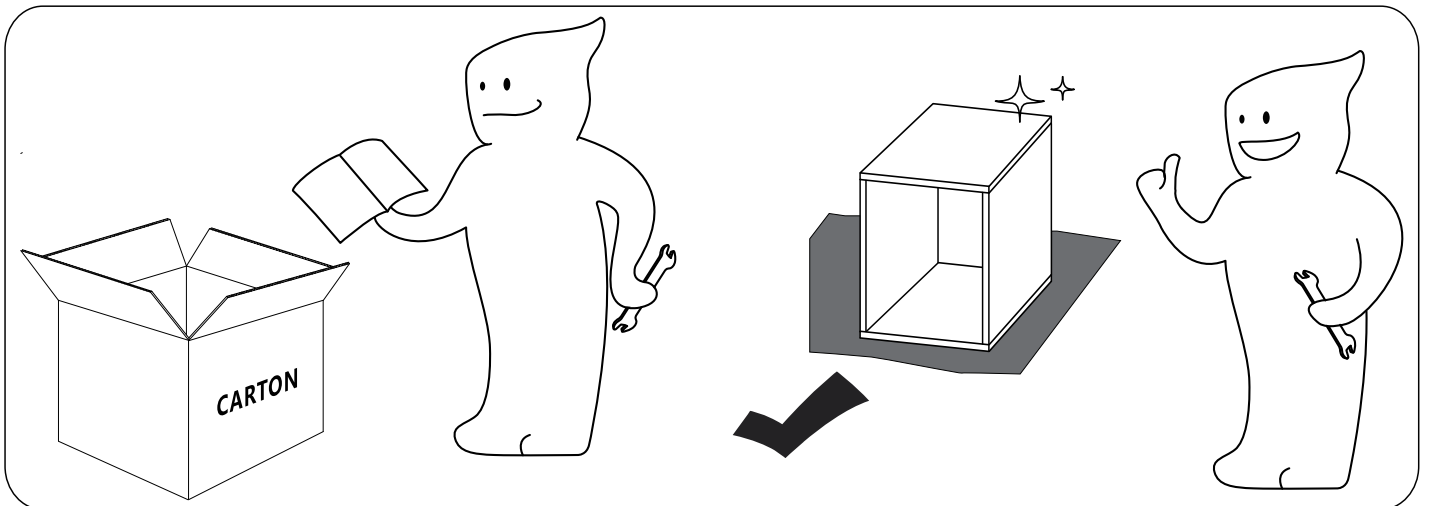
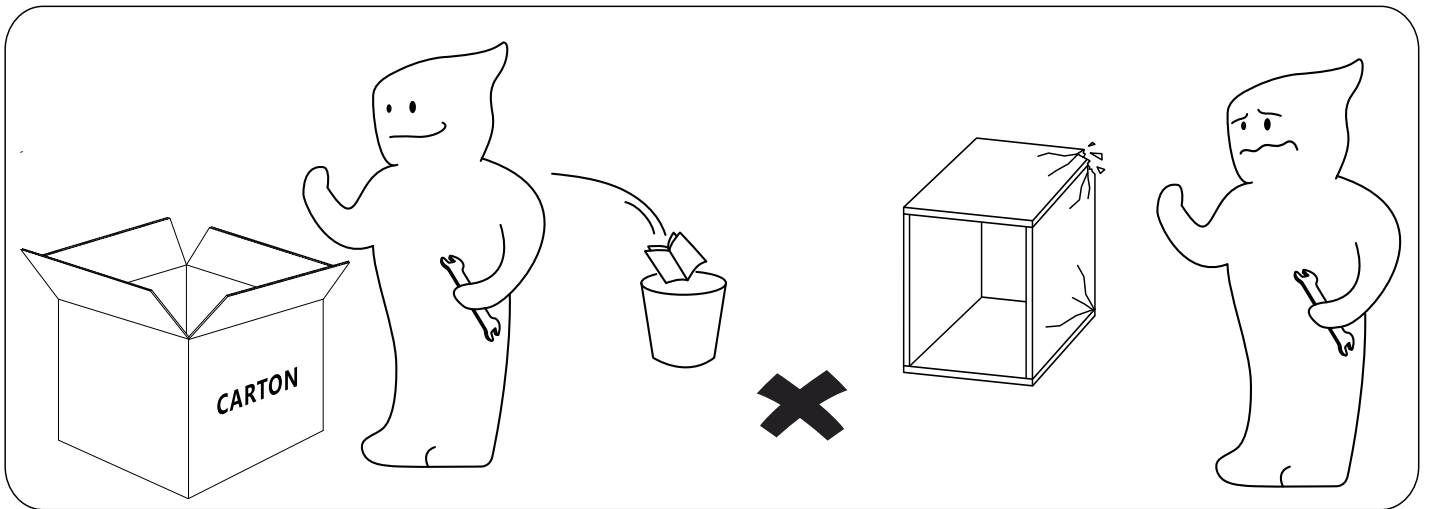
Assemlby Instructions



Dear Customers,
Thank you for purchasing our product. Please read this instruction manual carefully after receiving this product. It will help you assemble this product quickly, safely and correctly. You can keep this manual for future reference.
MADE IN CHINA

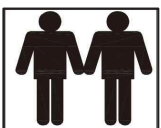
! IMPORTANT

Please follow the instruction manuals and use a pad to protect the product during your assembly.



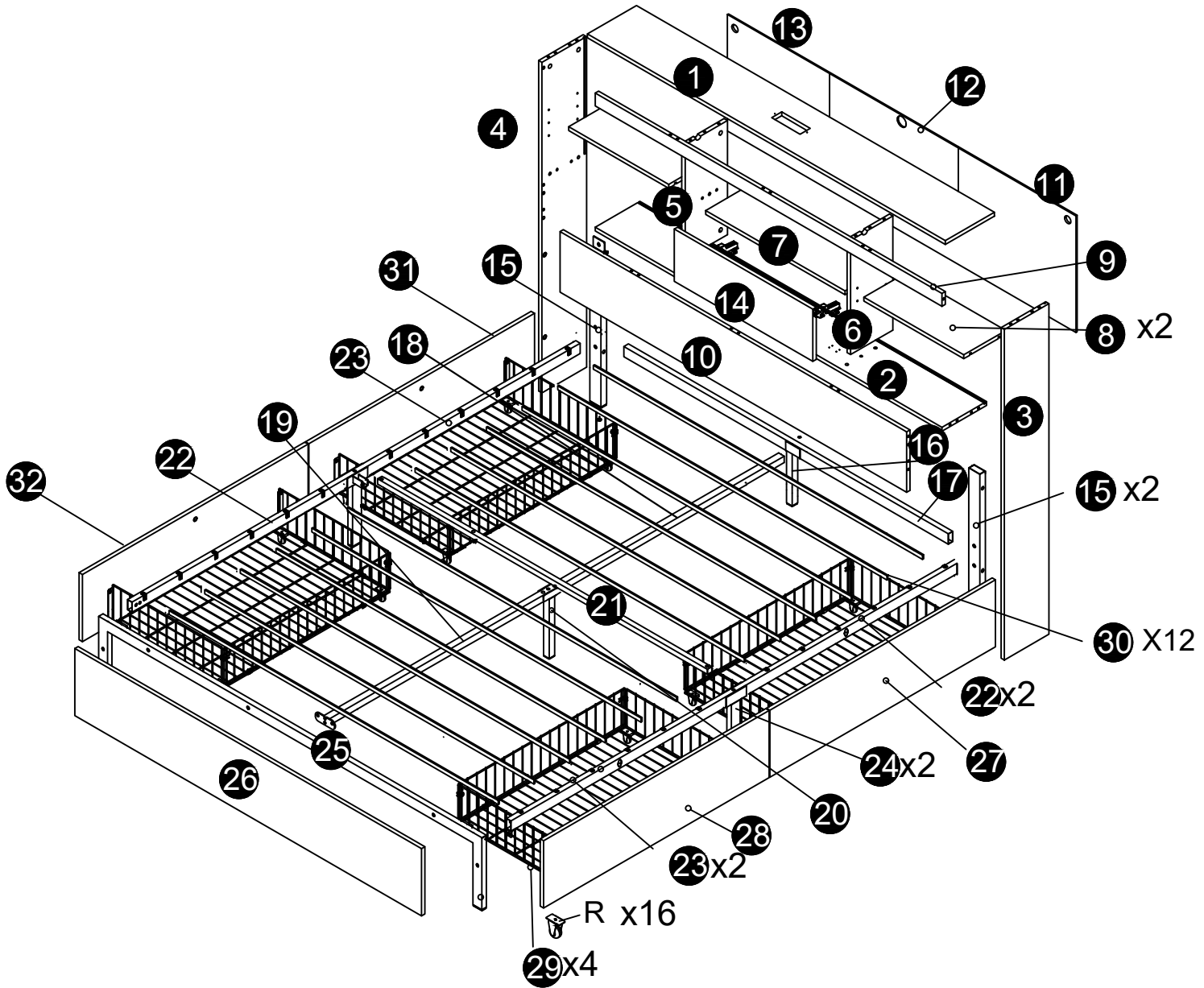
Note:

1. Should be assembled on flat ground to keep balance.
2. Before completing the installation, do not tighten the screws.

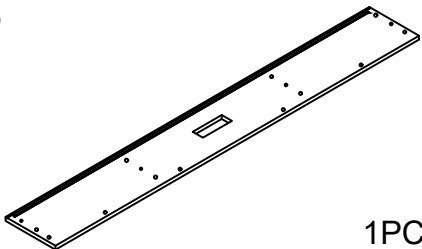
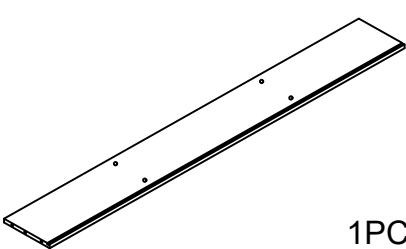
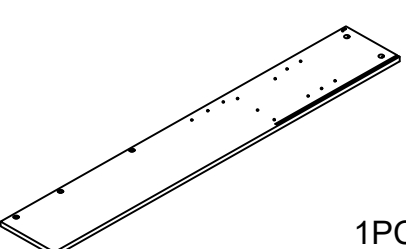
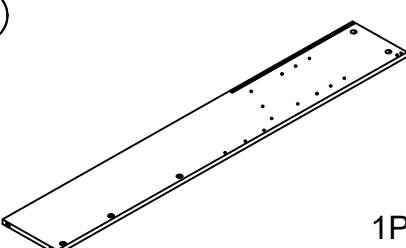
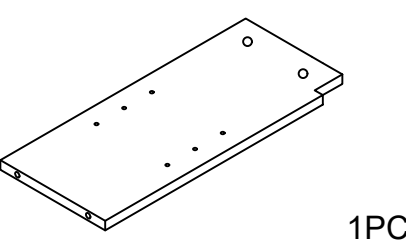
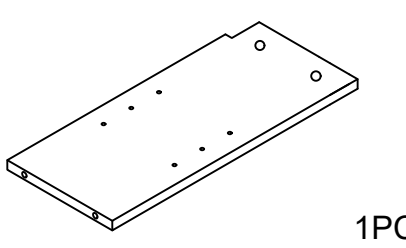
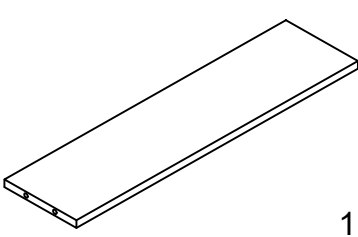
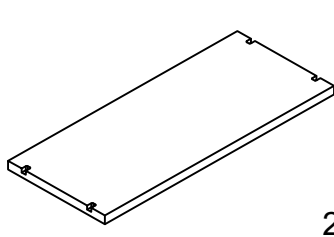
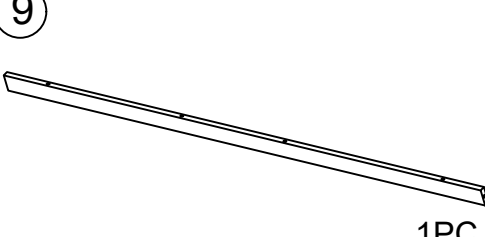
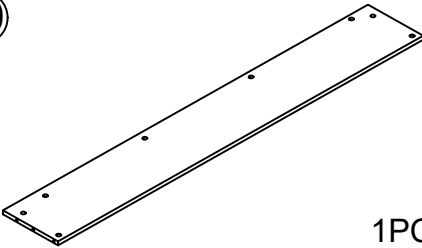
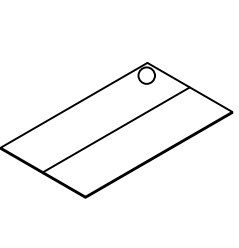
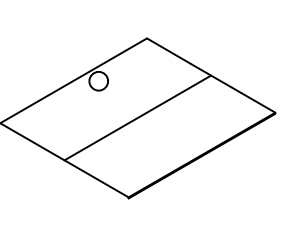
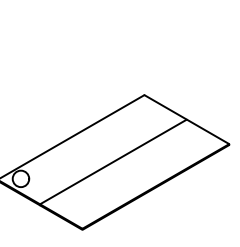
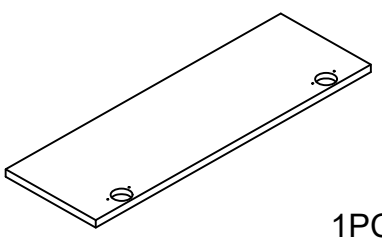


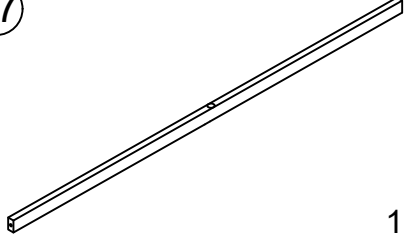
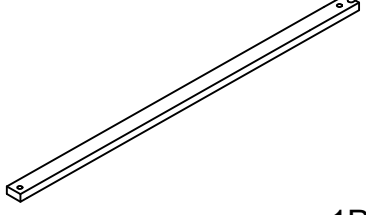
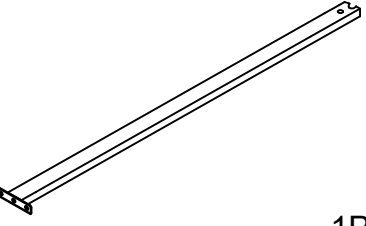
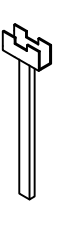
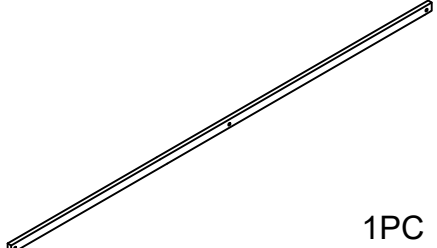


For easier and better assembly, **2** or more adults are required.

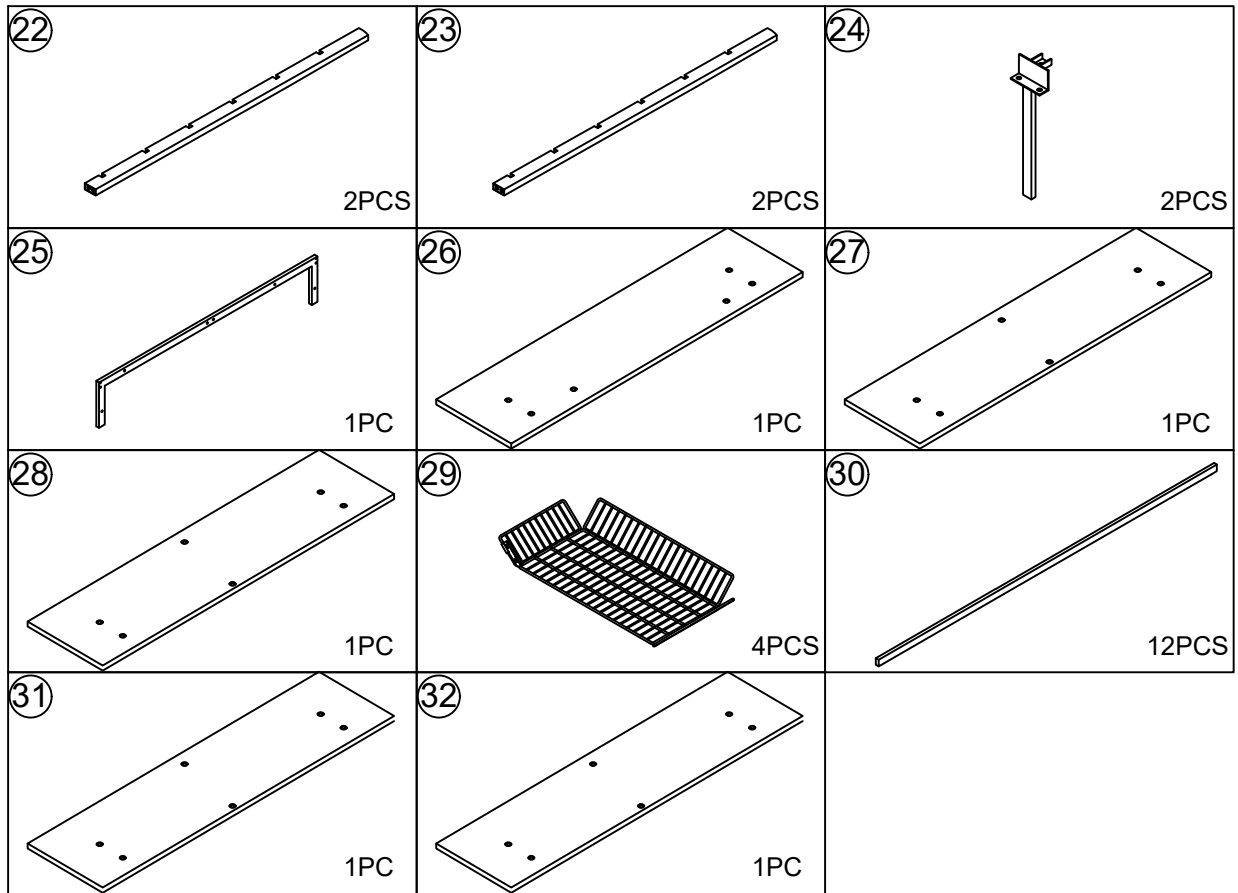
ASSEMBLY INSTRUCTIONS







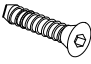













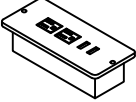

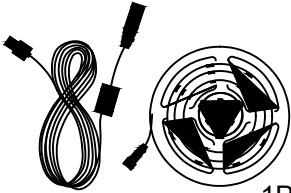
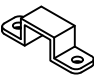




ASSEMBLY INSTRUCTIONS

<p>①</p>  <p>1PC</p>	<p>②</p>  <p>1PC</p>	<p>③</p>  <p>1PC</p>
<p>④</p>  <p>1PC</p>	<p>⑤</p>  <p>1PC</p>	<p>⑥</p>  <p>1PC</p>
<p>⑦</p>  <p>1PC</p>	<p>⑧</p>  <p>2PCS</p>	<p>⑨</p>  <p>1PC</p>
<p>⑩</p>  <p>1PC</p>	<p>⑪</p>  <p>1PC</p>	<p>⑫</p>  <p>1PC</p>
<p>⑬</p>  <p>1PC</p>	<p>⑭</p>  <p>1PC</p>	<p>⑮</p>  <p>2PCS</p>
<p>⑯</p>  <p>1PC</p>	<p>⑰</p>  <p>1PC</p>	<p>⑱</p>  <p>1PC</p>
<p>⑲</p>  <p>1PCS</p>	<p>⑳</p>  <p>1PC</p>	<p>㉑</p>  <p>1PC</p>

ASSEMBLY INSTRUCTIONS

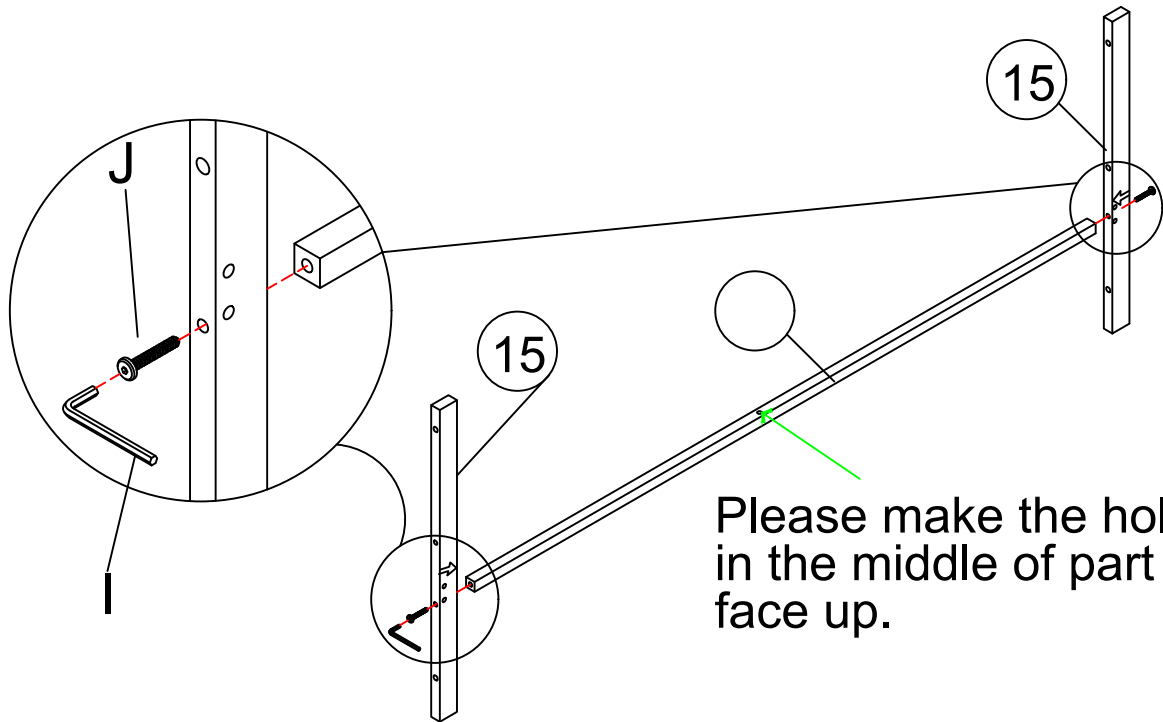


ASSEMBLY INSTRUCTIONS

<p>A</p>  <p>$\phi 7*40$</p> <p>26PCS</p>	<p>B</p>  <p>$\phi 6*30$</p> <p>20PCS</p>	<p>C</p>  <p>$\phi 5*17$</p> <p>8PCS</p>
<p>D</p>  <p>2PCS</p>	<p>E</p>  <p>M5*40</p> <p>8PCS</p>	<p>F</p>  <p>M3</p> <p>1PC</p>
<p>G</p>  <p>M3.5 *12</p> <p>16PCS</p>	<p>H</p>  <p>M4</p> <p>1PC</p>	<p>I</p>  <p>M5</p> <p>1PC</p>
<p>J</p>  <p>M8*50</p> <p>12PCS</p>	<p>K</p>  <p>M8*35</p> <p>10PCS</p>	<p>L</p>  <p>M8*60</p> <p>2PCS</p>
<p>M</p>  <p>M8*30</p> <p>6PCS</p>	<p>N</p>  <p>M6*15</p> <p>2PCS</p>	<p>O</p>  <p>M8*15</p> <p>20PCS</p>
<p>P</p>  <p>M8</p> <p>4PCS</p>	<p>Q</p>  <p>4PCS</p>	<p>R</p>  <p>16PCS</p>
<p>S</p>  <p>1PC</p>	<p>T</p>  <p>8PCS</p>	<p>U</p>  <p>1PC</p>
<p>V</p>  <p>2PCS</p>	<p>W</p>  <p>1PC</p>	<p>X</p>  <p>M8*12</p> <p>4PCS</p>
<p>Y</p>  <p>26PCS</p>	<p>Z</p>  <p>M3.5 *12</p> <p>2PCS</p>	

ASSEMBLY INSTRUCTIONS

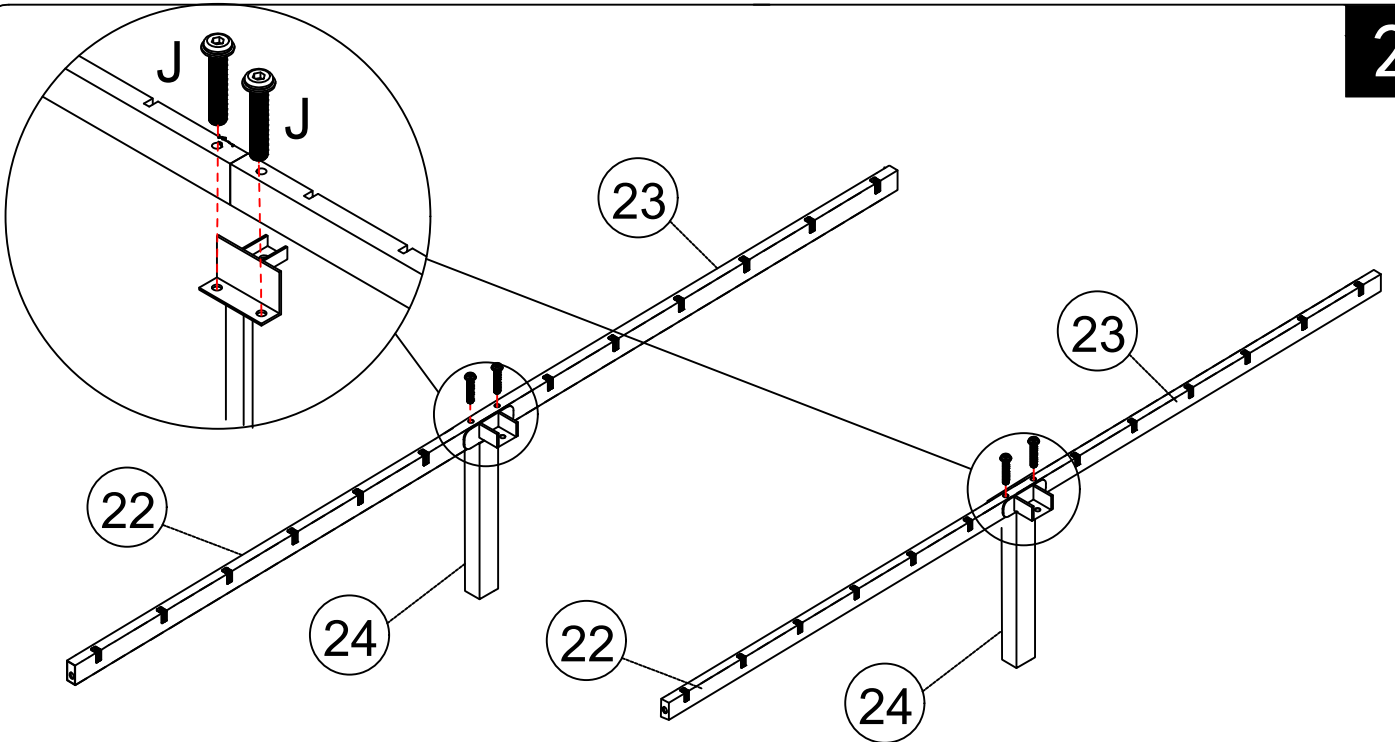
1



Please make the hole in the middle of part 17 face up.

J		2pcs
M8x50mm		

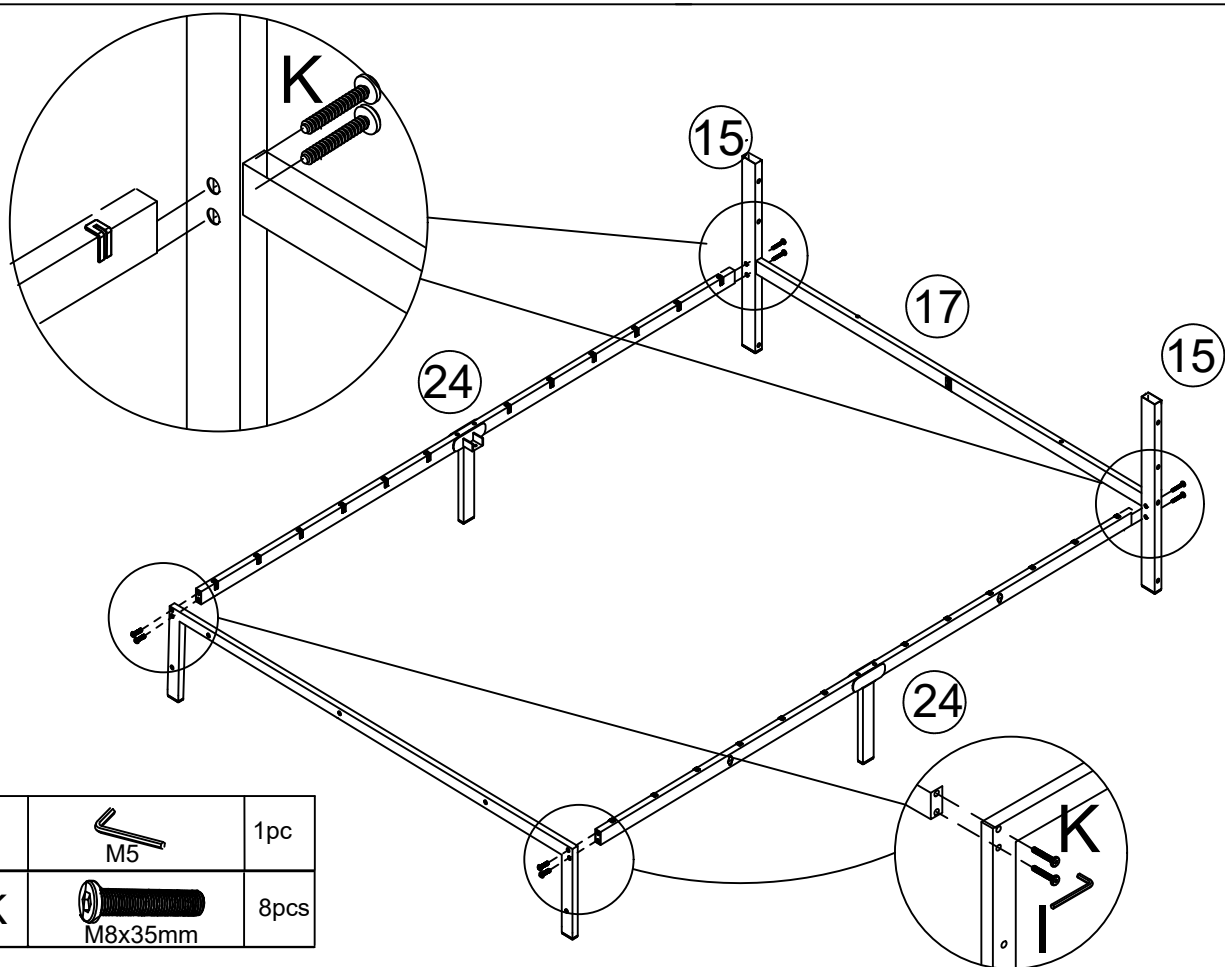
2





J		4pcs
M8x50mm		

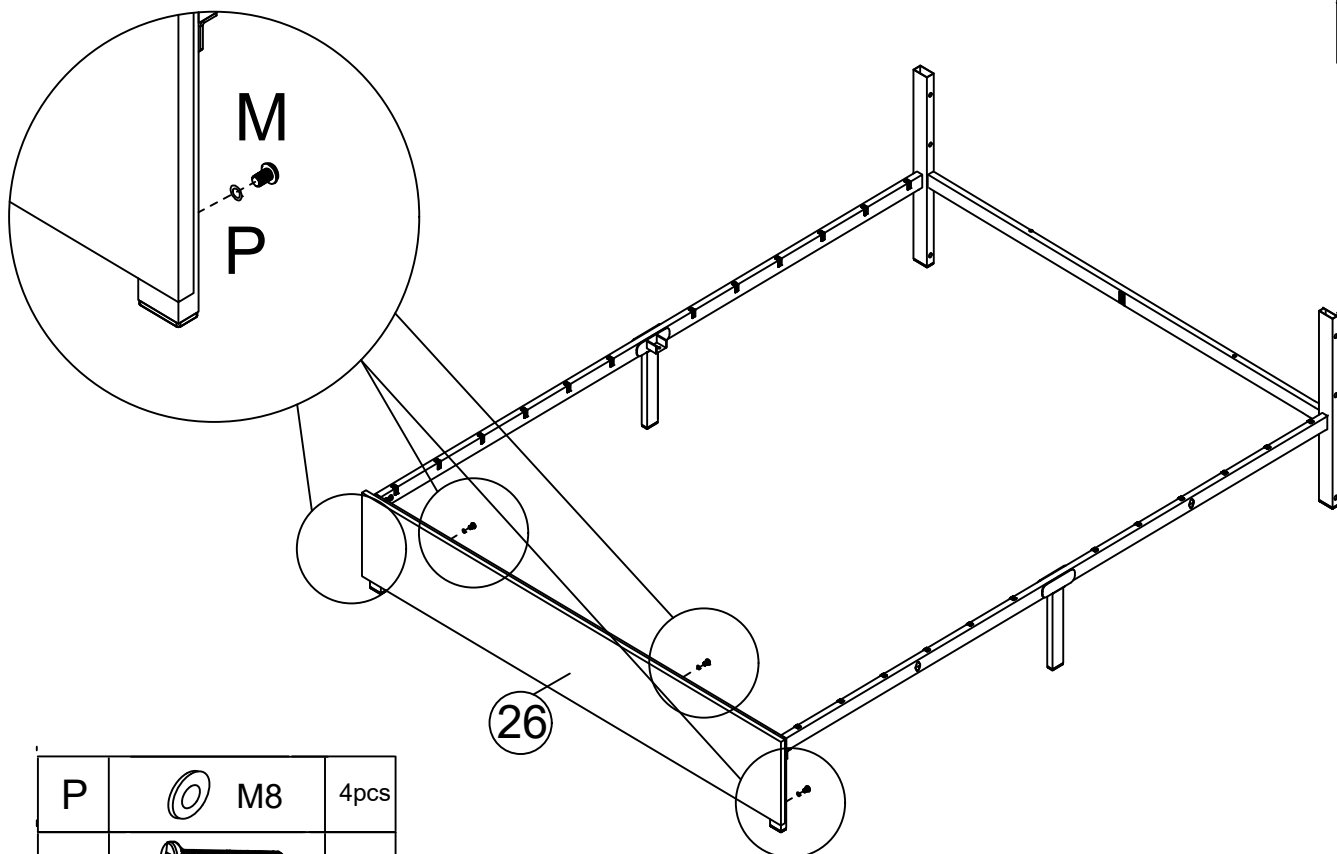
ASSEMBLY INSTRUCTIONS



3



I	 M5	1pc
K	 M8x35mm	8pcs

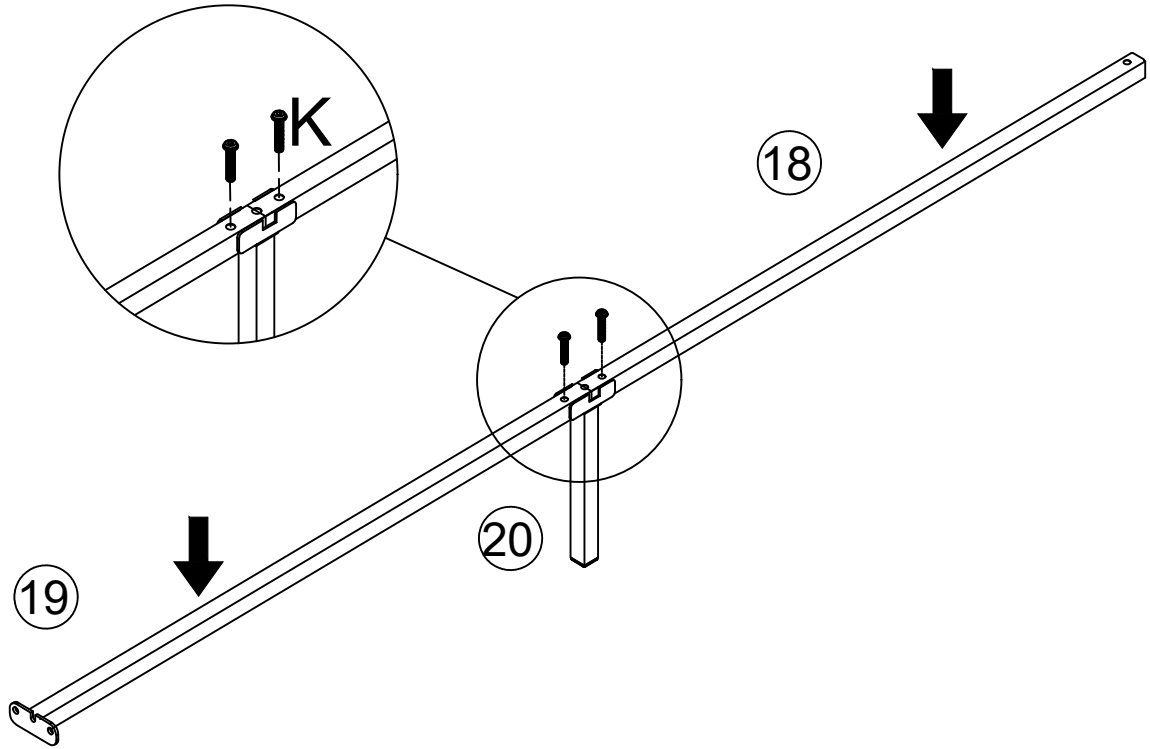
4



P	 M8	4pcs
M	 M8x30mm	4pcs

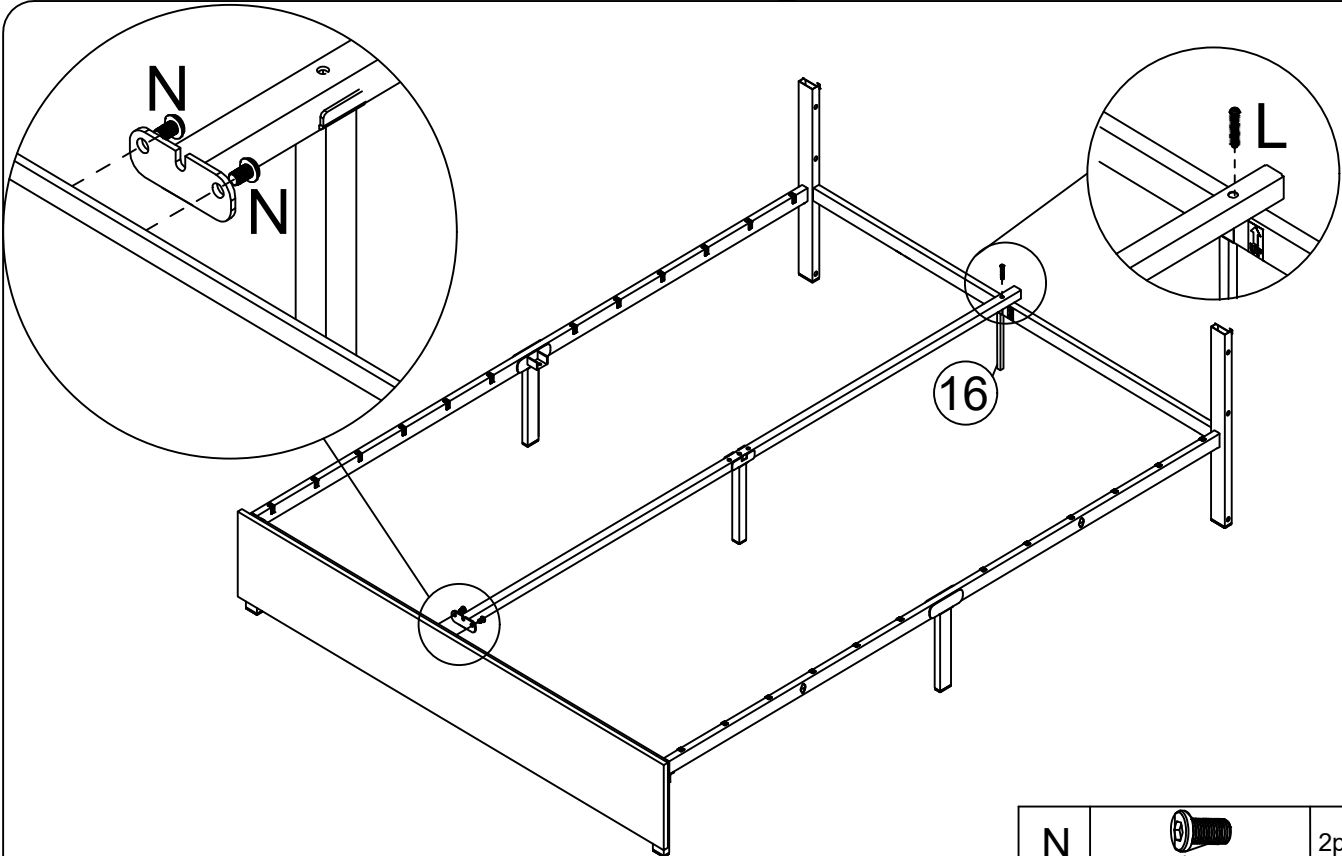
ASSEMBLY INSTRUCTIONS



5



K	 M8x35mm	2 pcs
---	--	-------

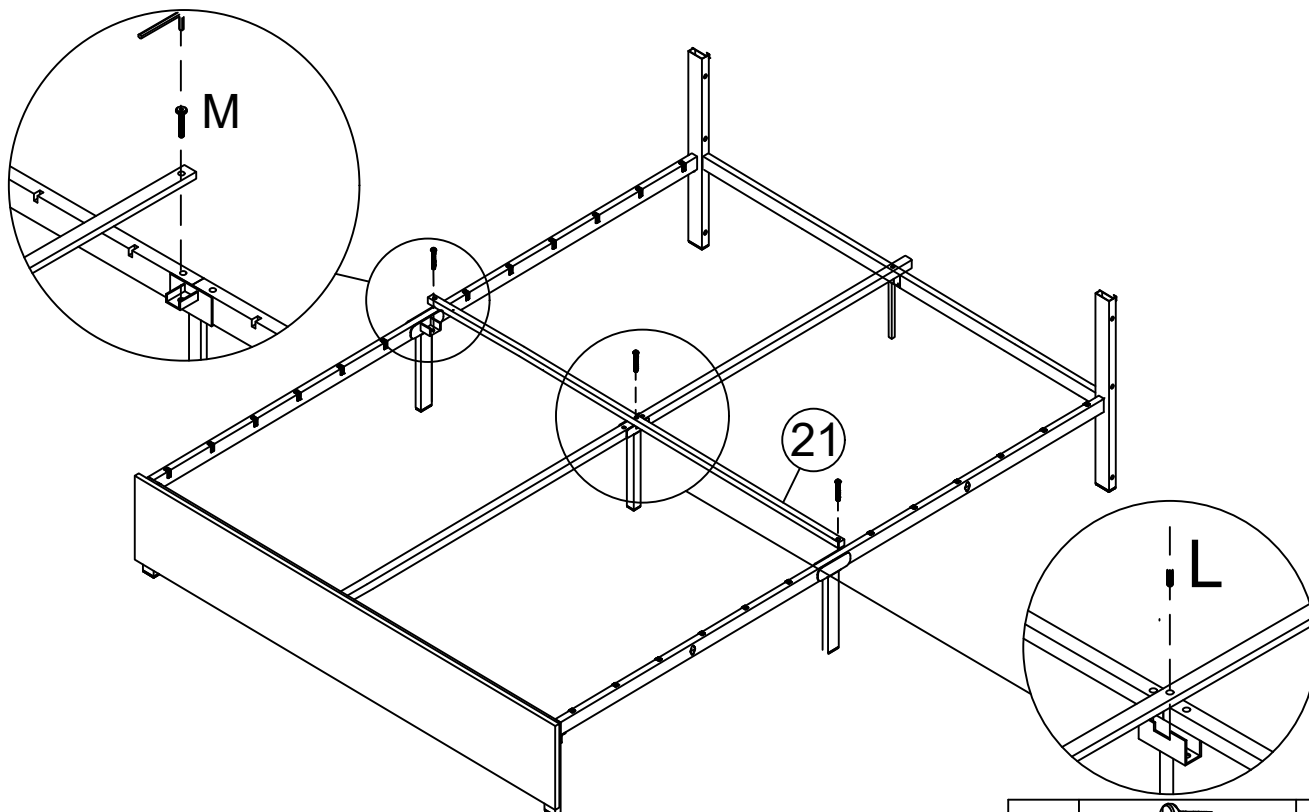
6


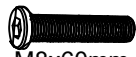


N	 M6*15	2 pcs
L	 M8x60mm	1 pcs

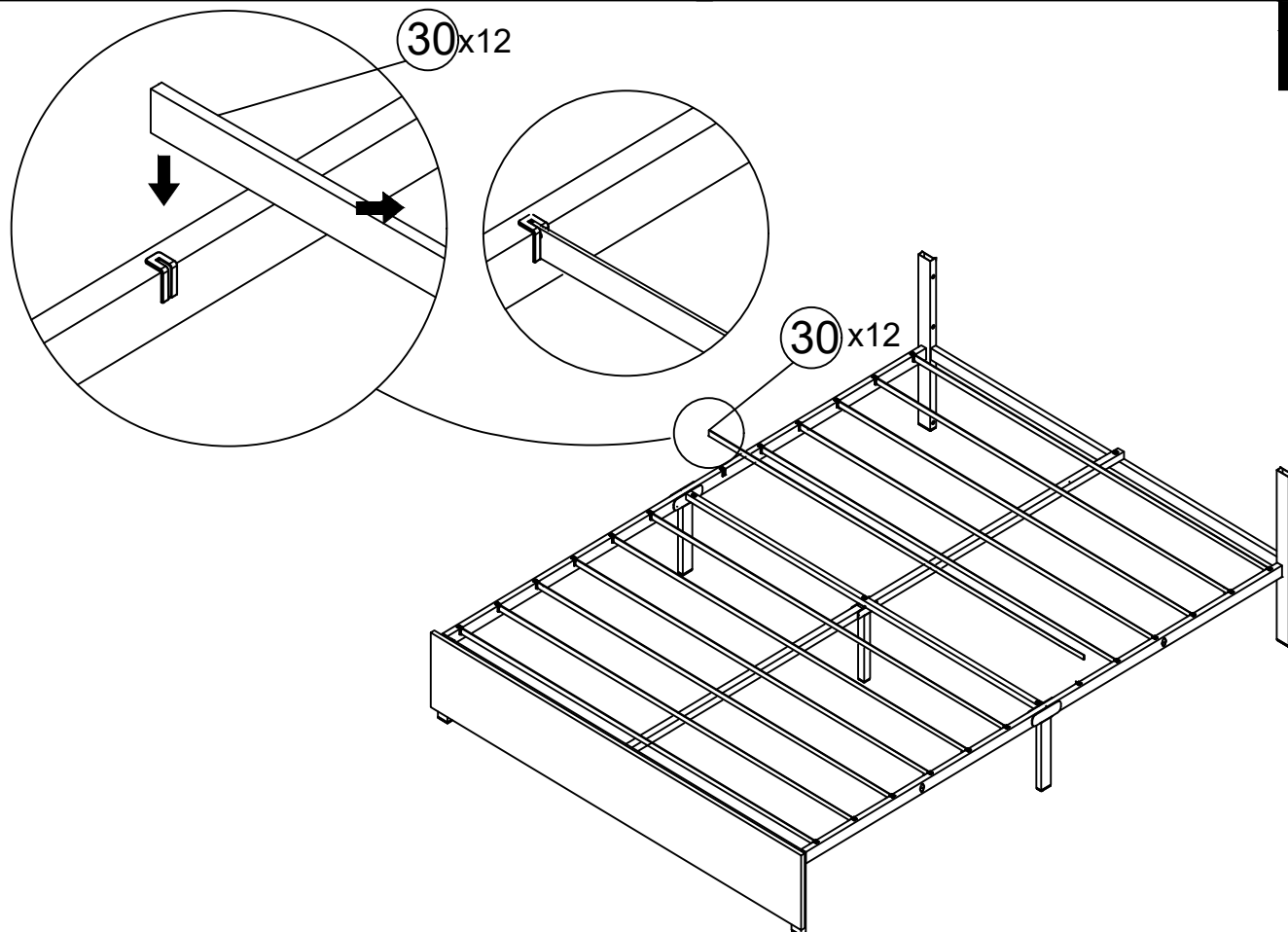
ASSEMBLY INSTRUCTIONS

7



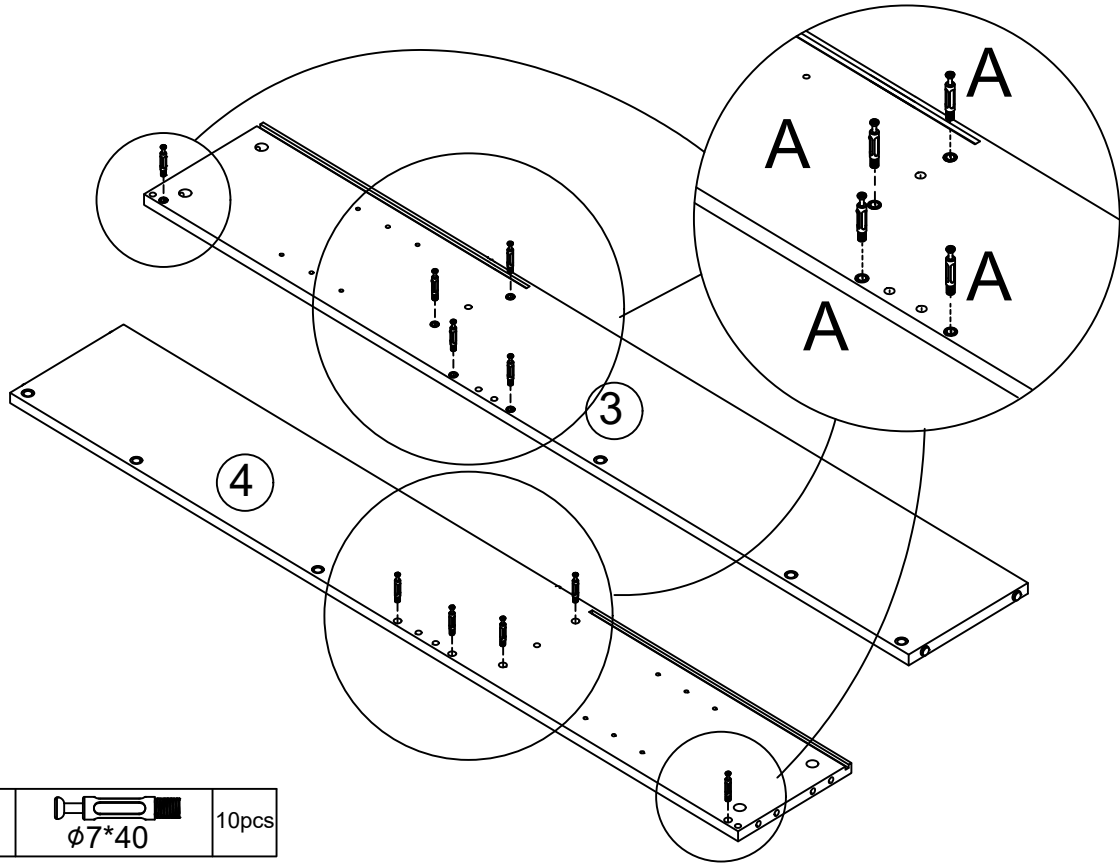
M	 M8*30mm	2pcs
L	 M8x60mm	1pc

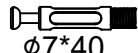
8



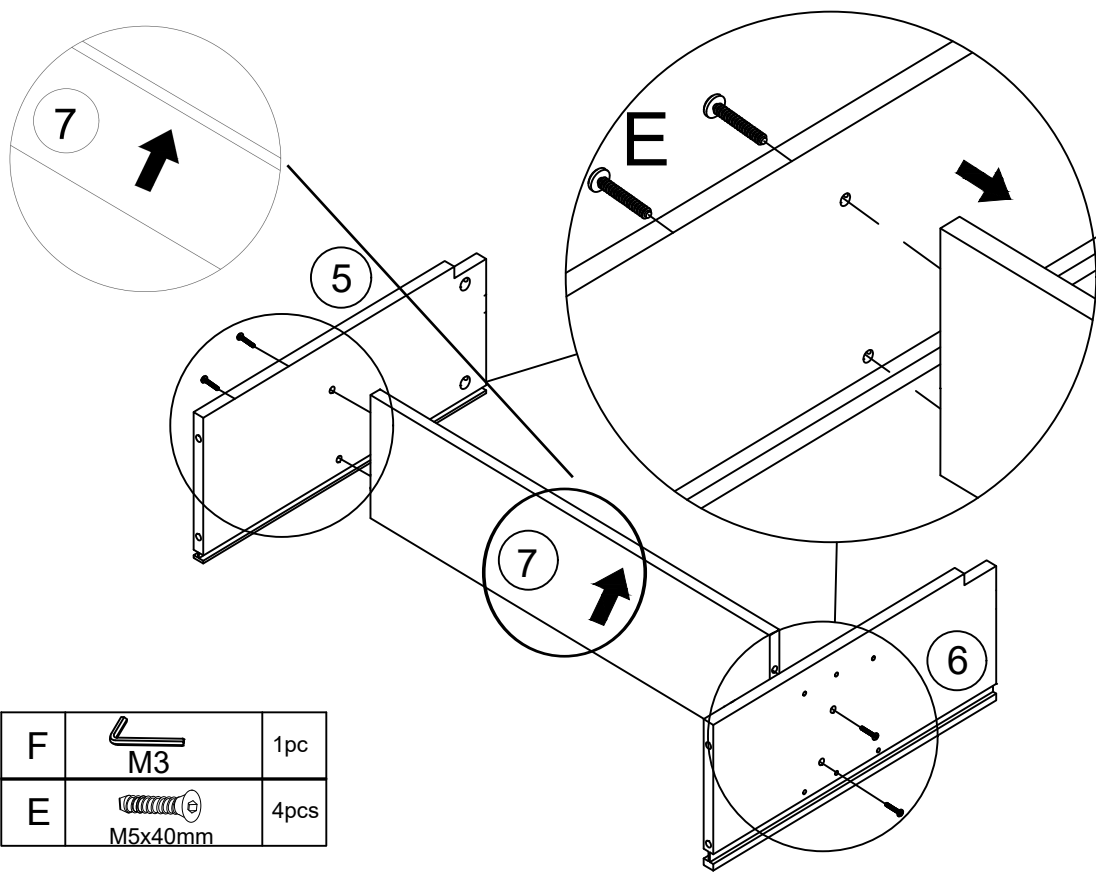
ASSEMBLY INSTRUCTIONS

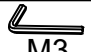
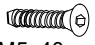
9



A		10pcs
	$\phi 7 \times 40$	

10



F		1pc
	M3	
E		4pcs
	M5x40mm	

ASSEMBLY INSTRUCTIONS

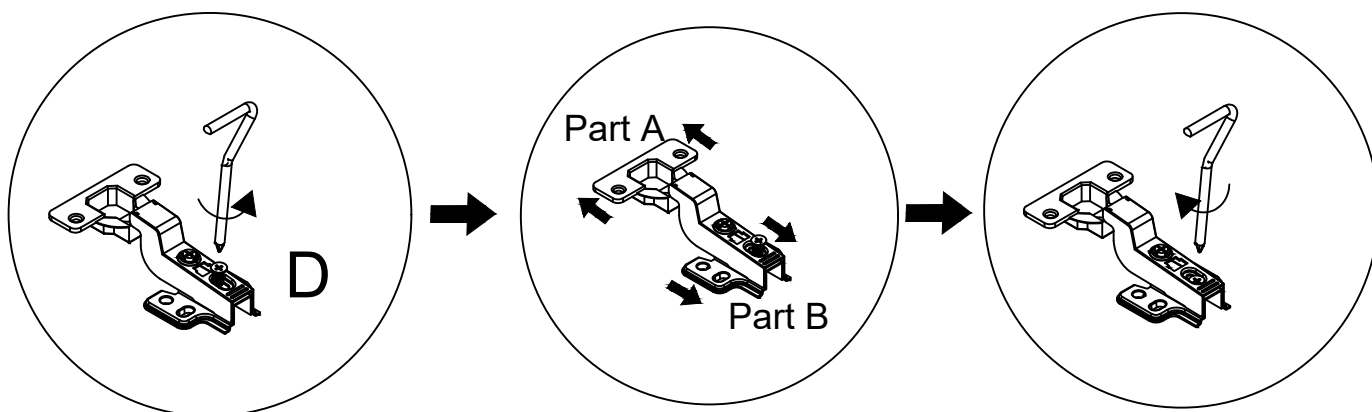
11

⚠ Make the following adjustments to component D before installing Step 12

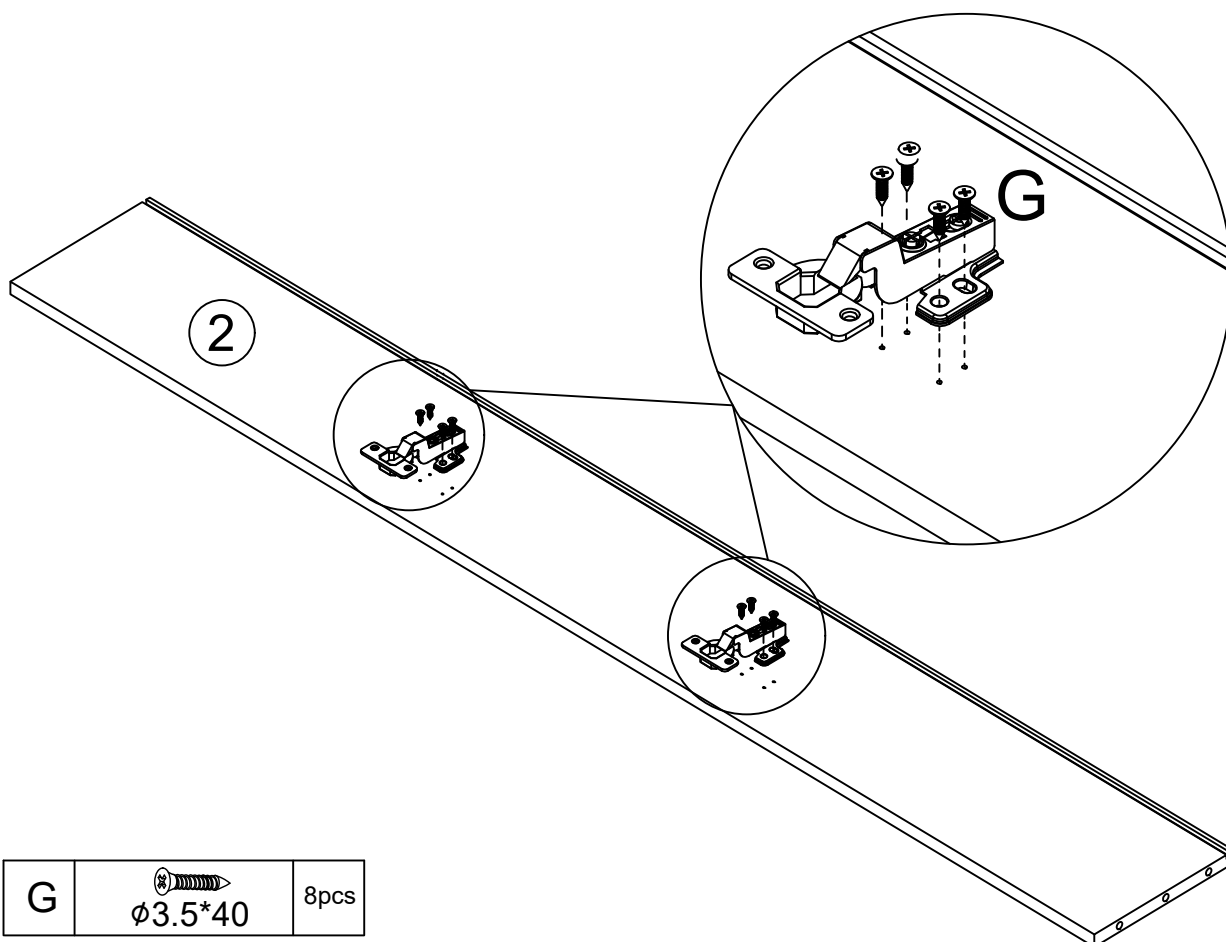
Loosen the screw first

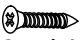
Then push the part to the bottom end of the strip hole

Finally, tighten the screw



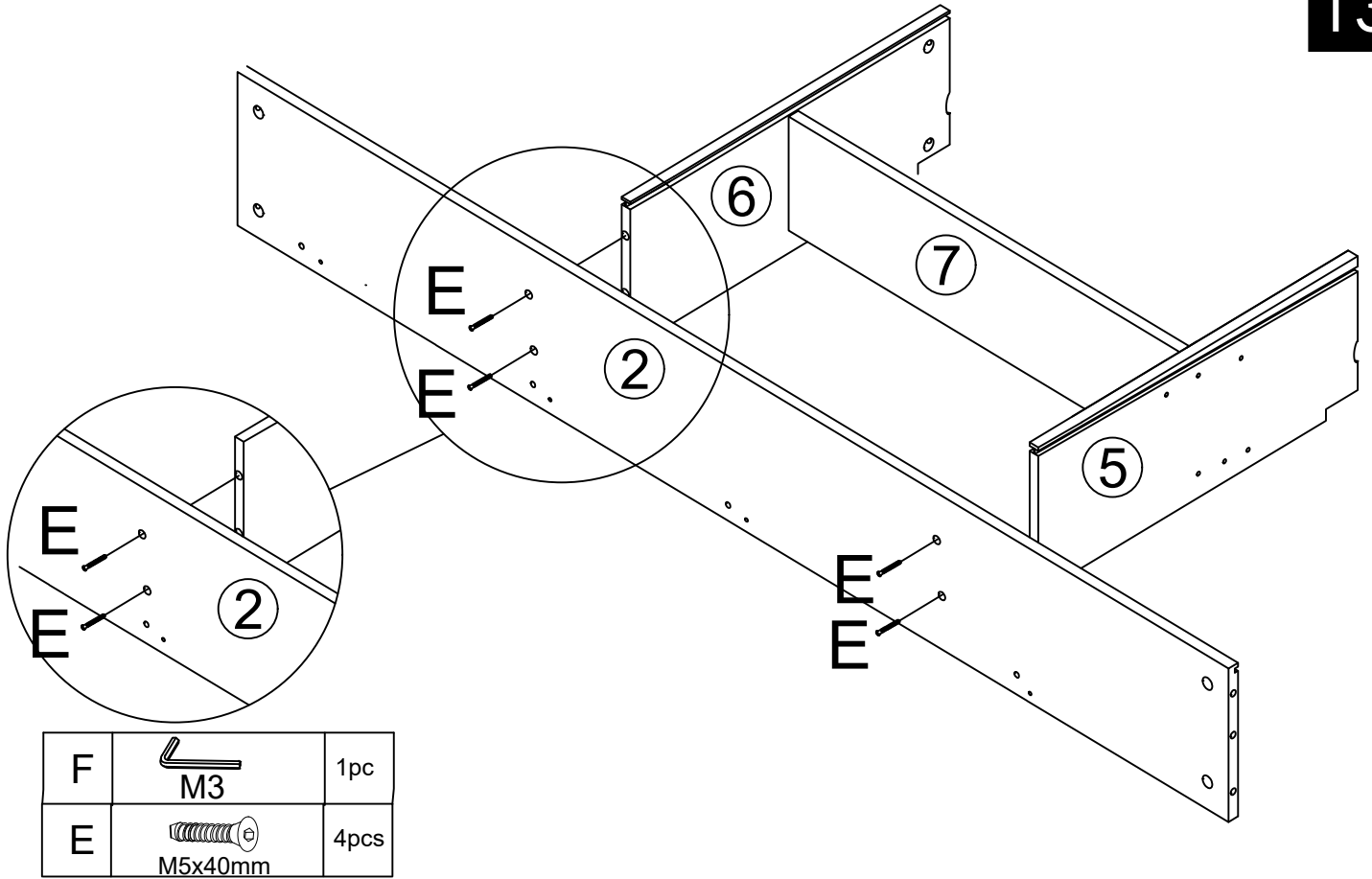
12



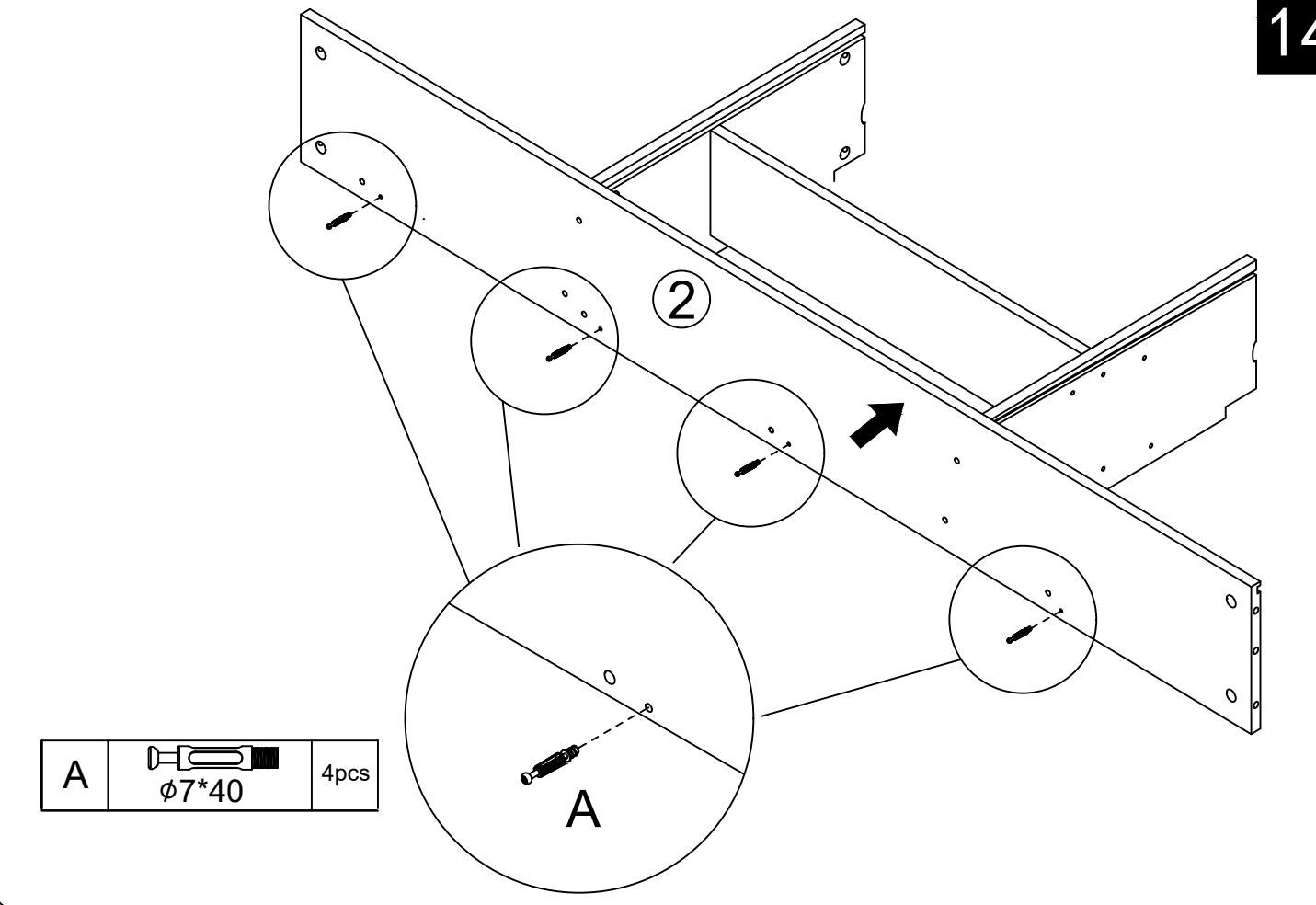
G	 $\phi 3.5 \times 40$	8pcs
---	--	------

ASSEMBLY INSTRUCTIONS

13

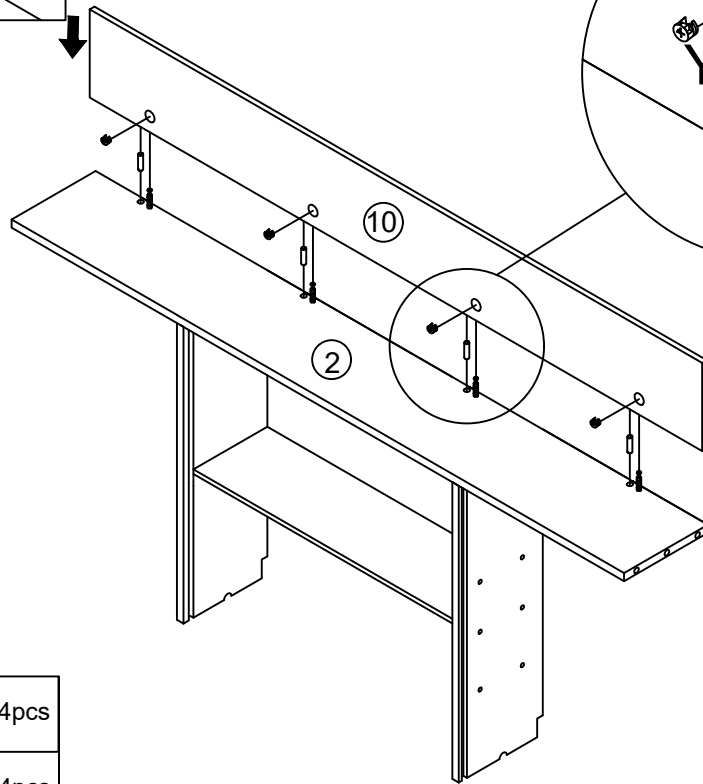
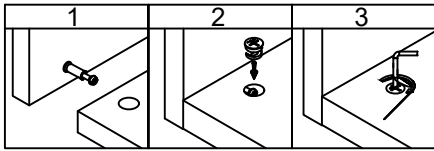



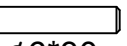
14



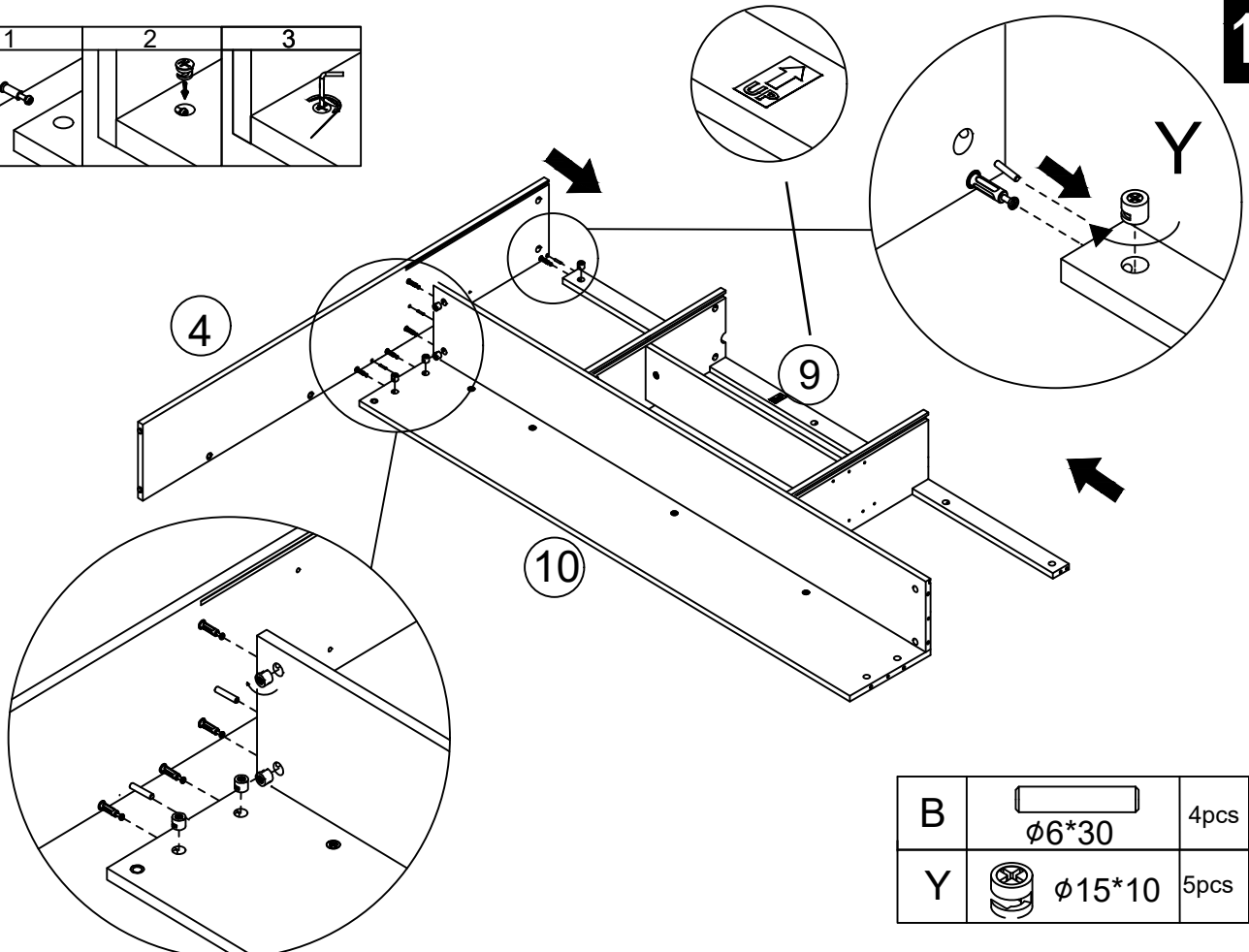
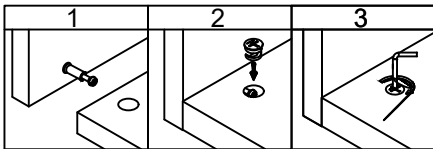
ASSEMBLY INSTRUCTIONS

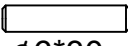

15



Y	 $\phi 15*10$	4pcs
B	 $\phi 6*30$	4pcs

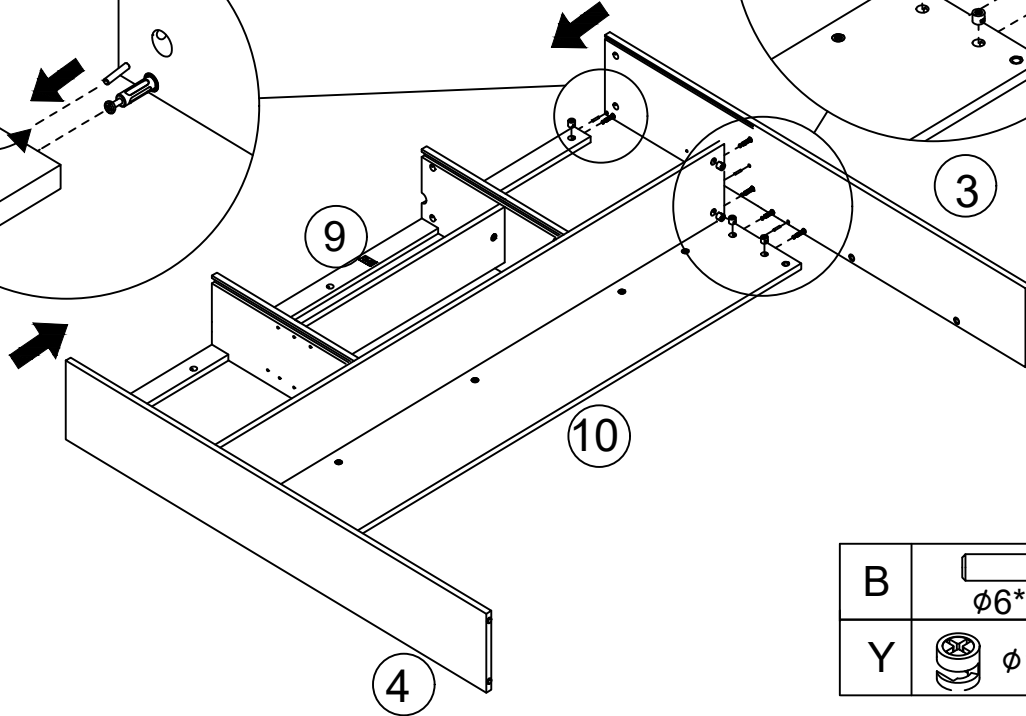
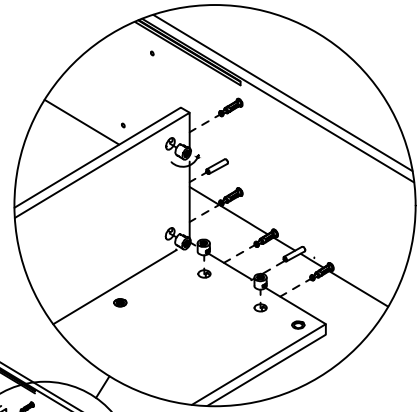
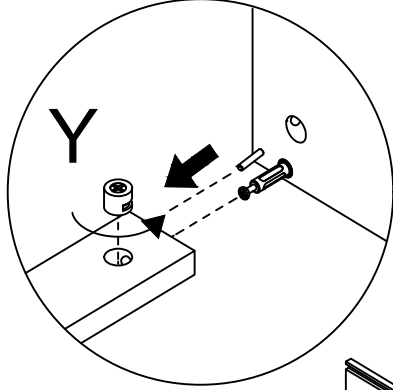
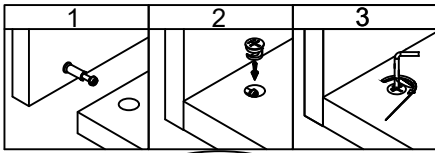
16

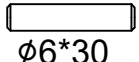



B	 $\phi 6*30$	4pcs
Y	 $\phi 15*10$	5pcs

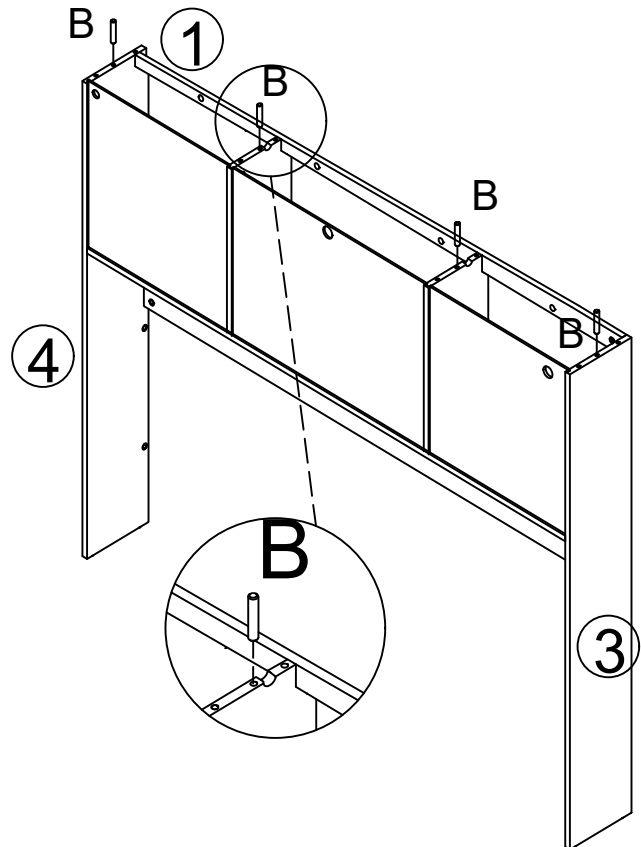
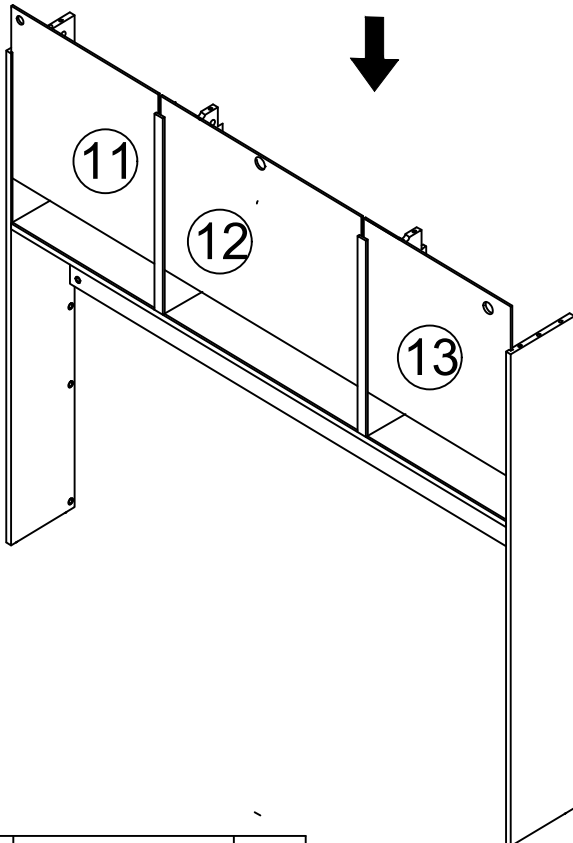
ASSEMBLY INSTRUCTIONS

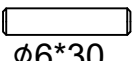
17

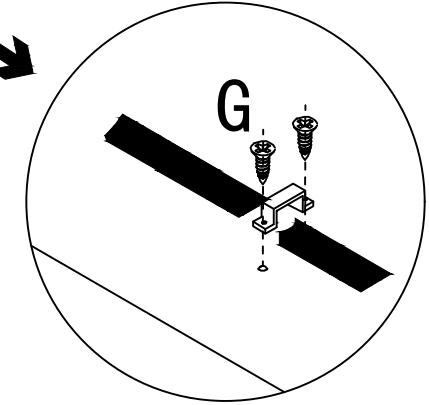
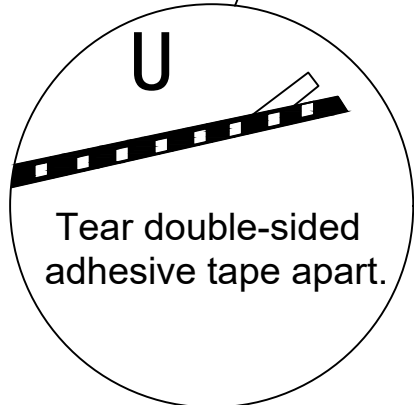
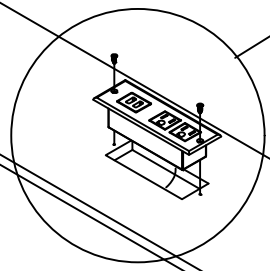
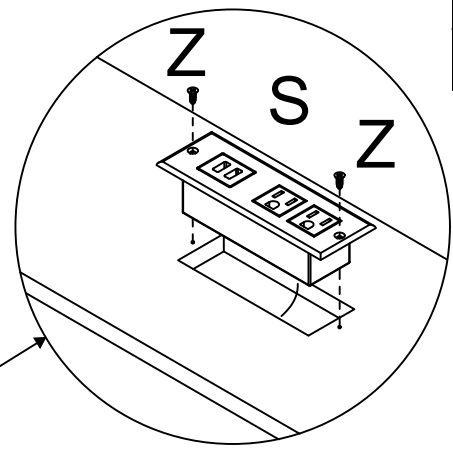
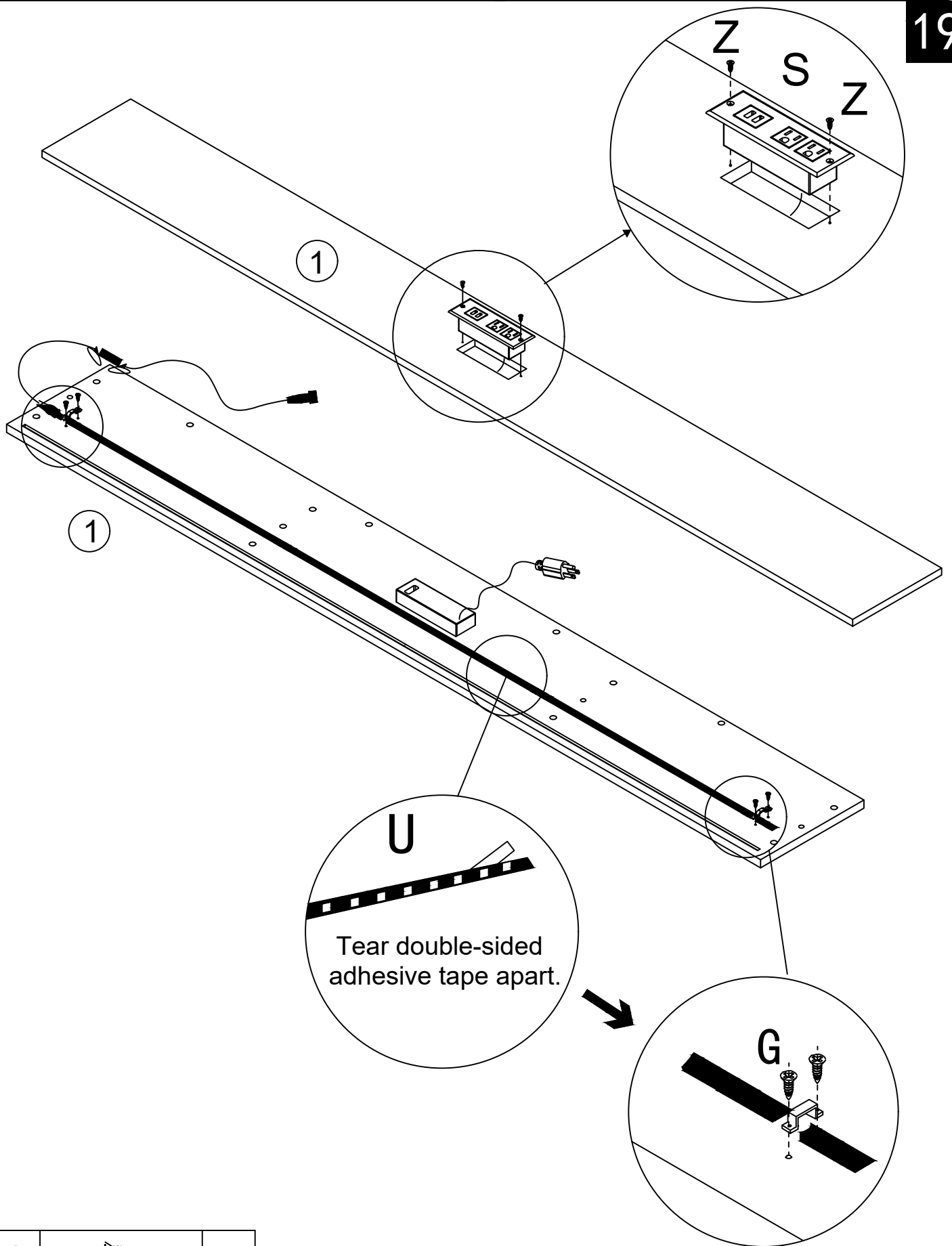




B		4pcs
Y		5pcs

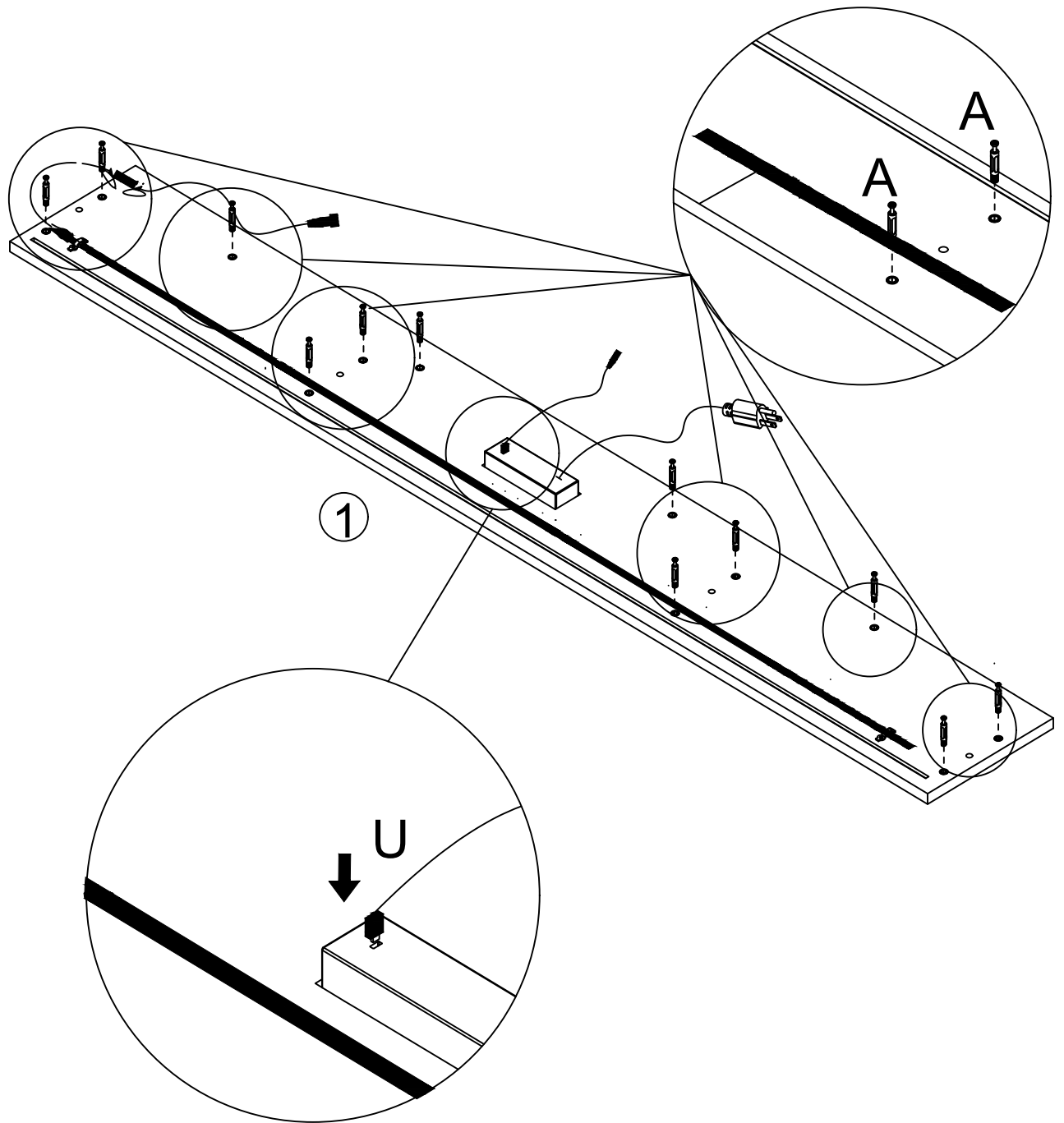
18





B		4pcs
---	---	------



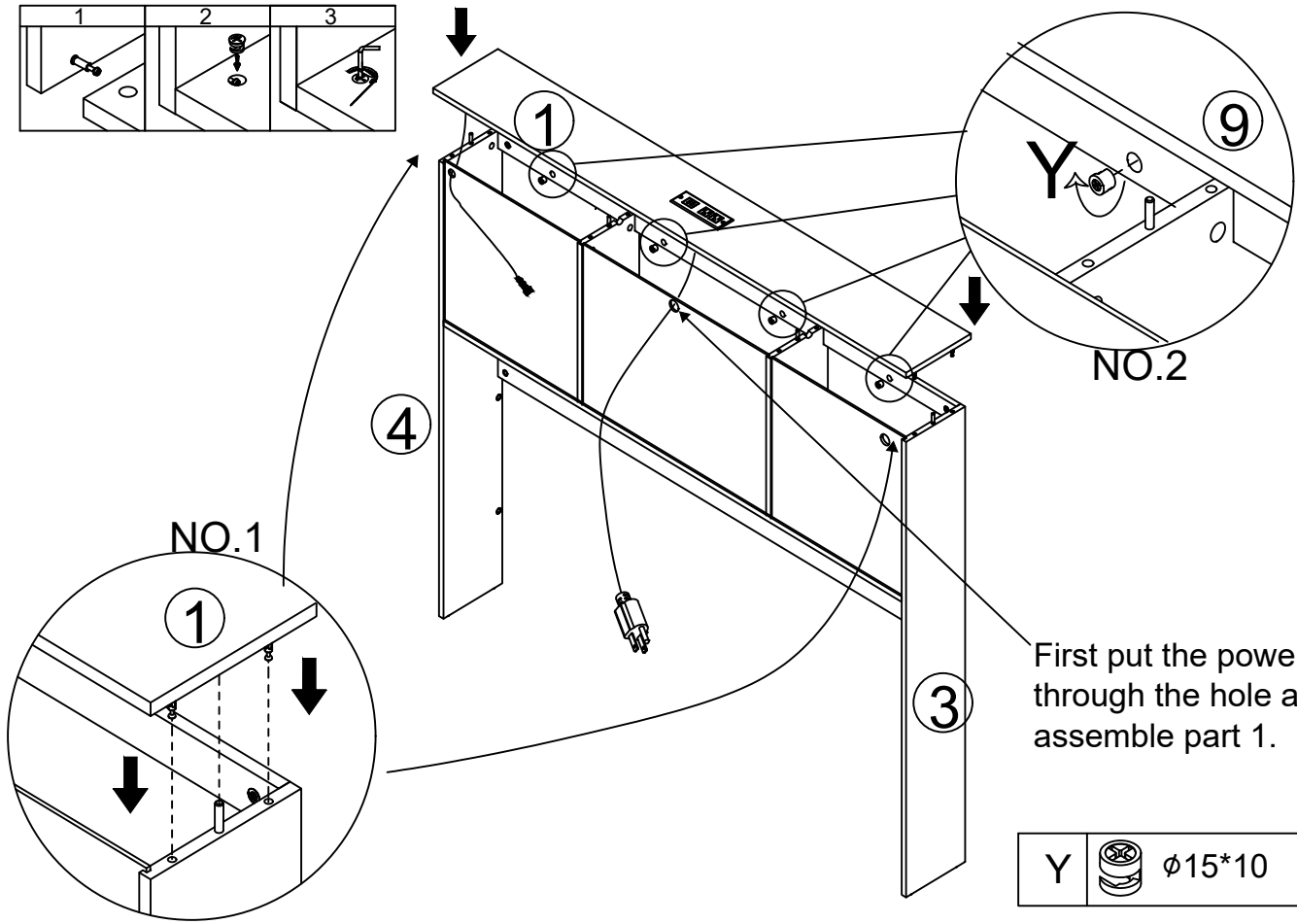
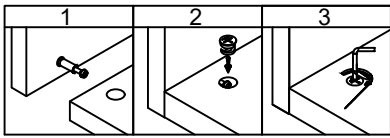
G	 M3.5 *12	4pcs
Z	 M3.5 *12	2pcs



U		1pcs
A	 φ7*40	12pcs

ASSEMBLY INSTRUCTIONS

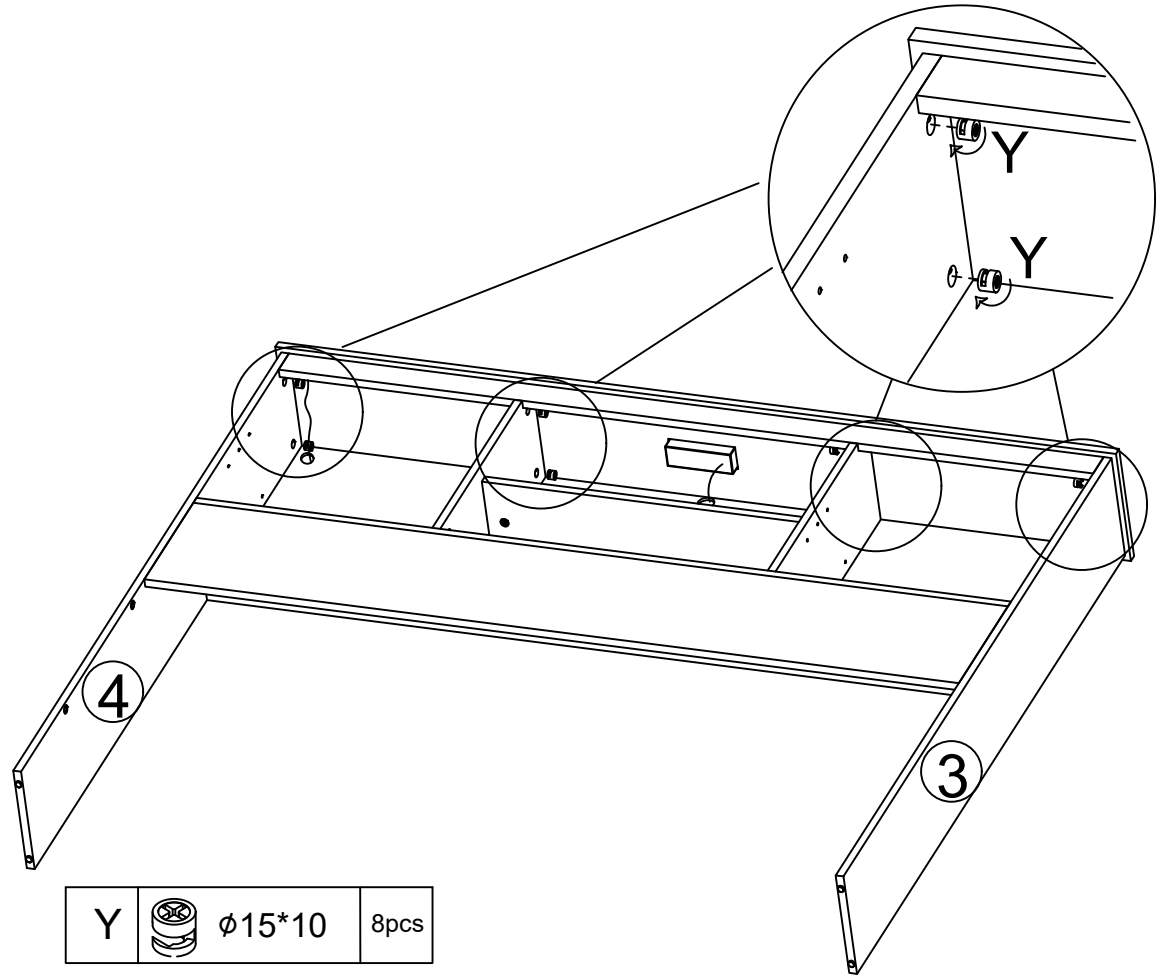
21



First put the power cable through the hole and then assemble part 1.

Y		φ15*10	4pcs
---	--	--------	------

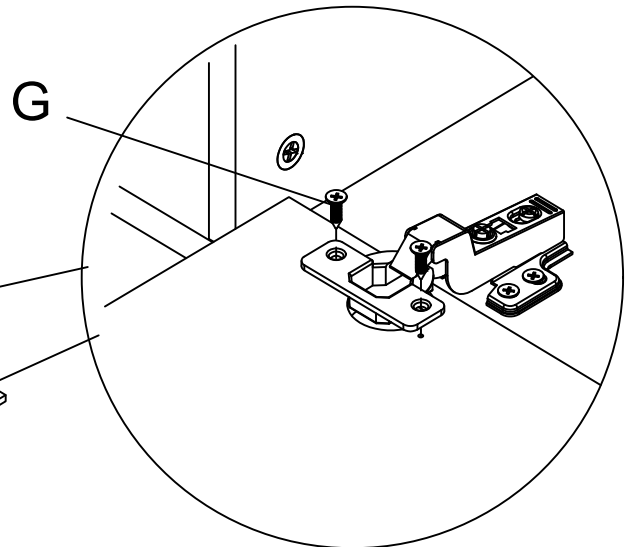
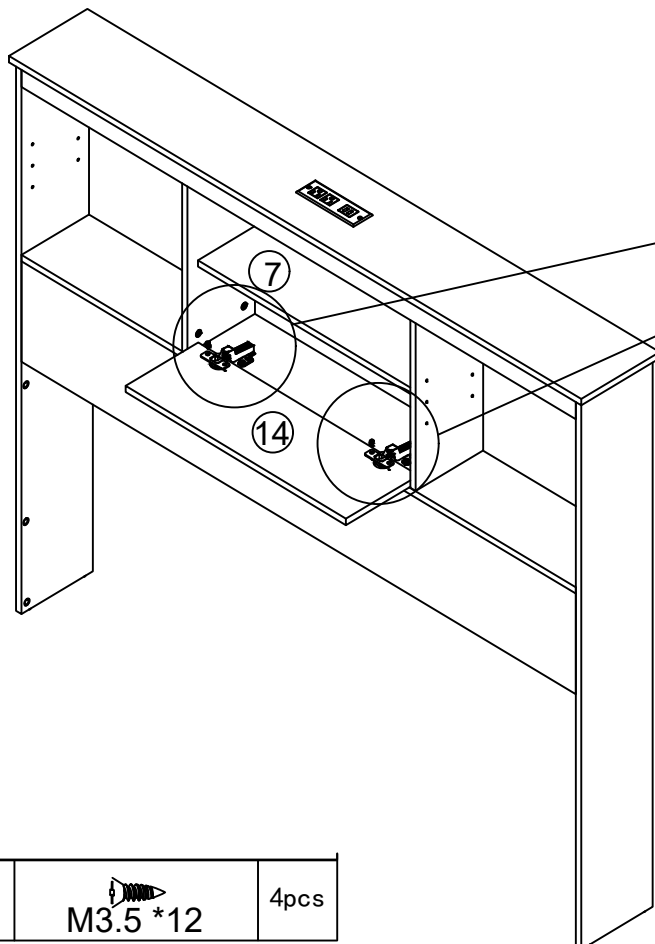
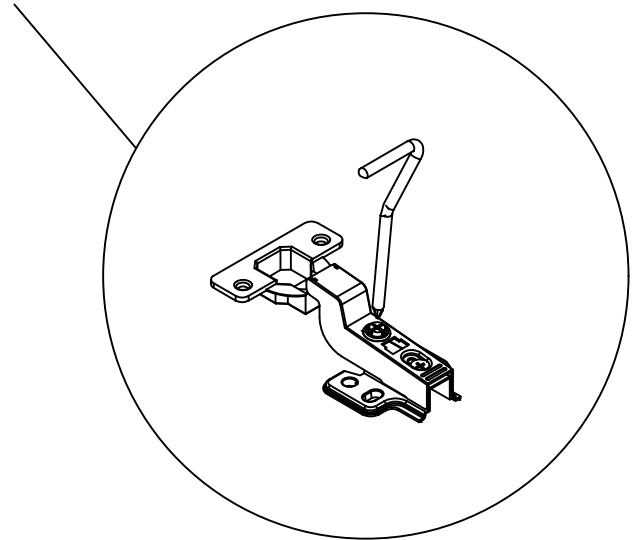
22




Y		φ15*10	8pcs
---	--	--------	------

Kind reminder in step 23

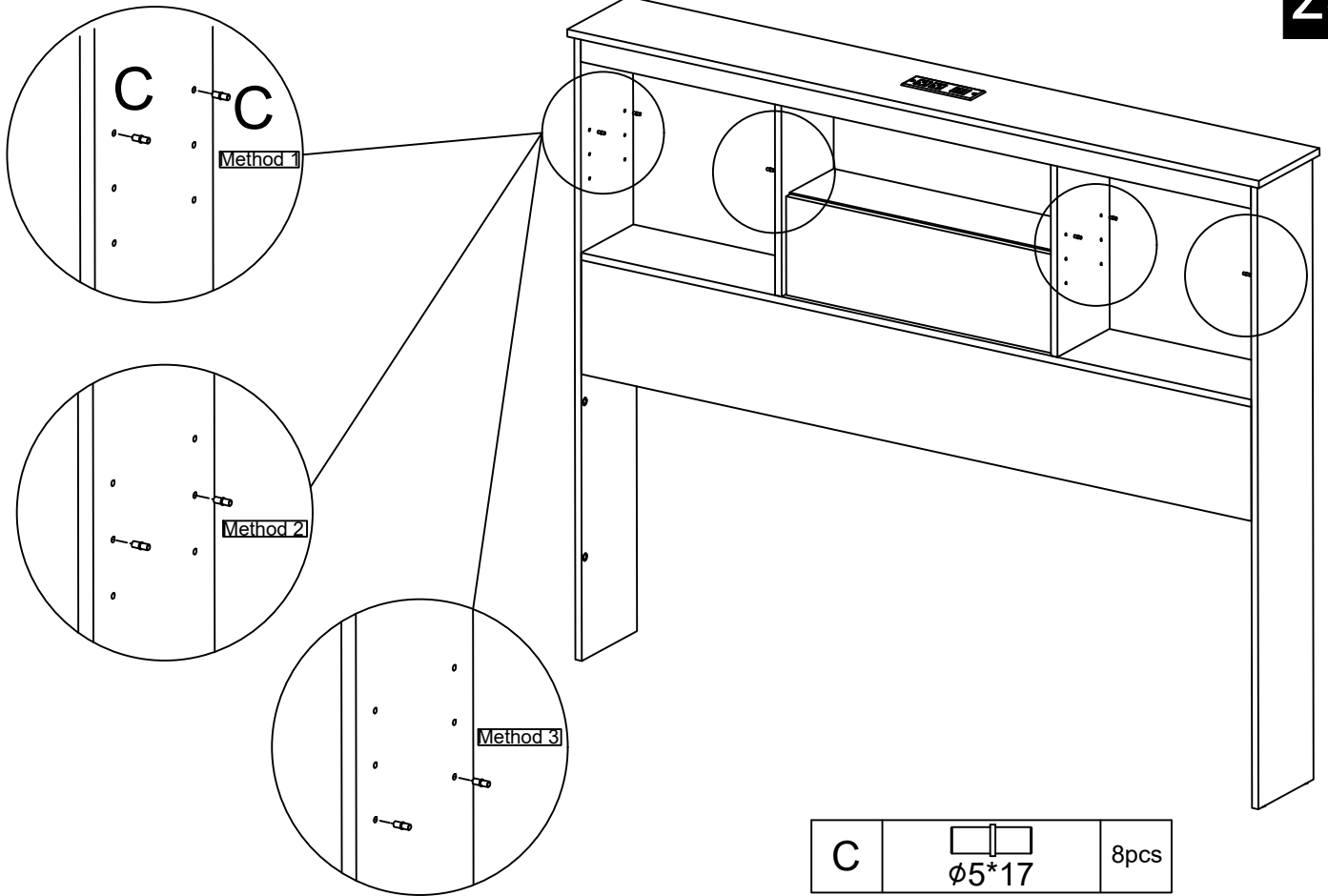
Tighten this screw to ensure that part 14 can be pushed into the right position smoothly.
Adjust the tightness of this screw (tighten or loosen) in case part 14 is not align with the top of part 7 when it's closed.



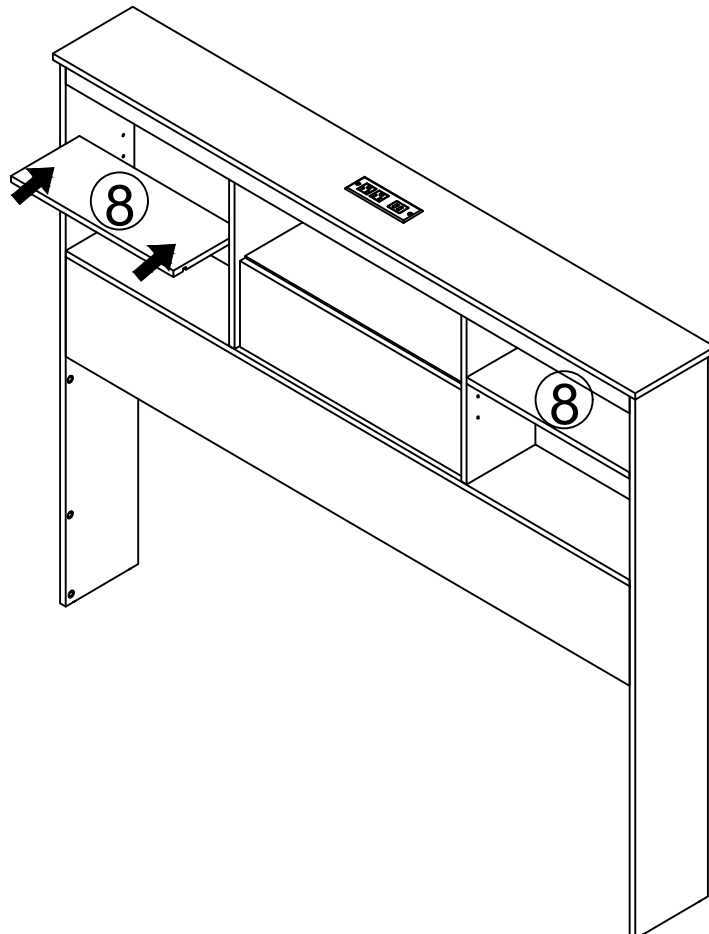
G	 M3.5 *12	4pcs
---	--	------

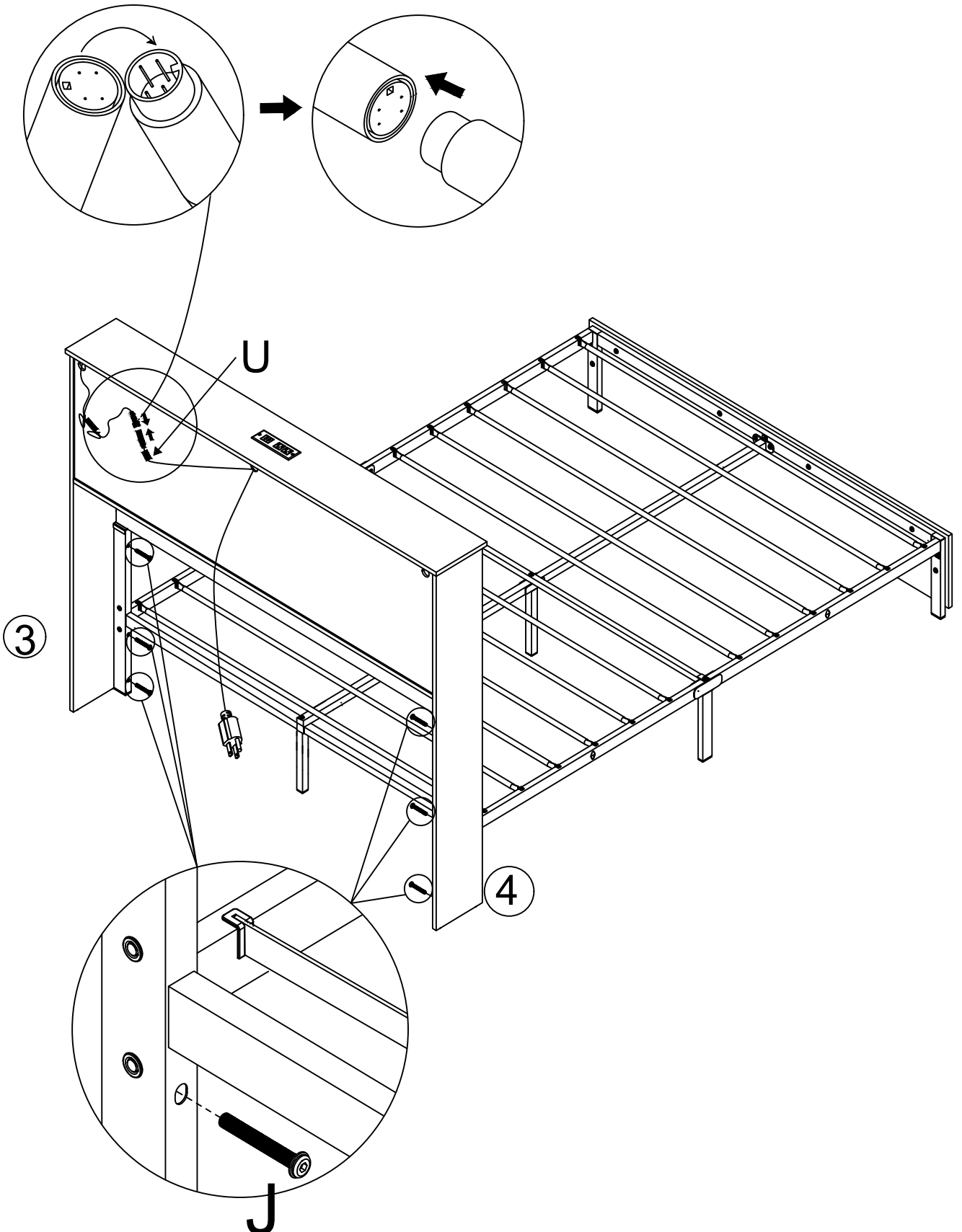
ASSEMBLY INSTRUCTIONS

25



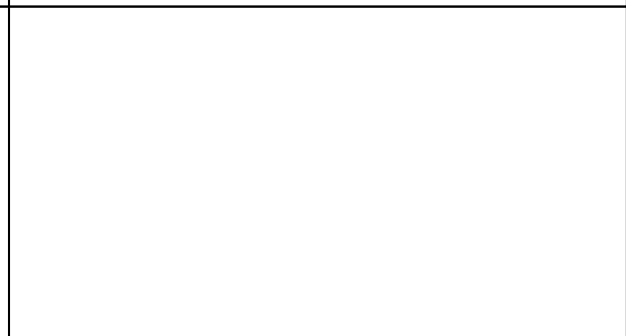
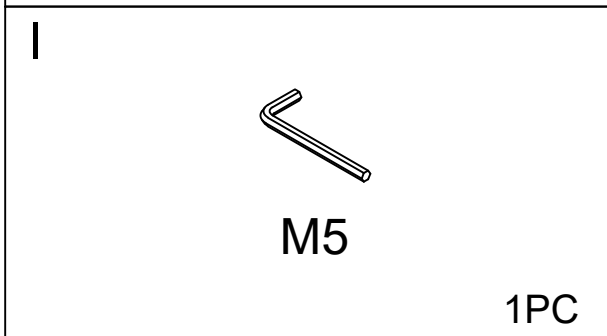
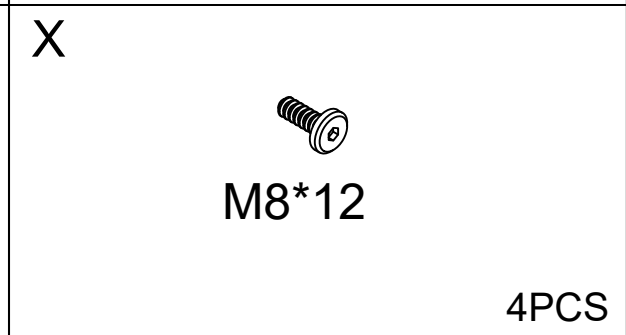
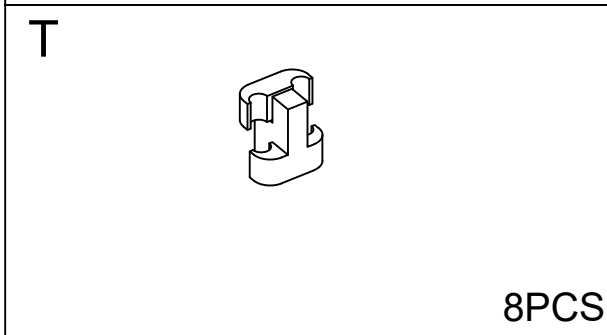
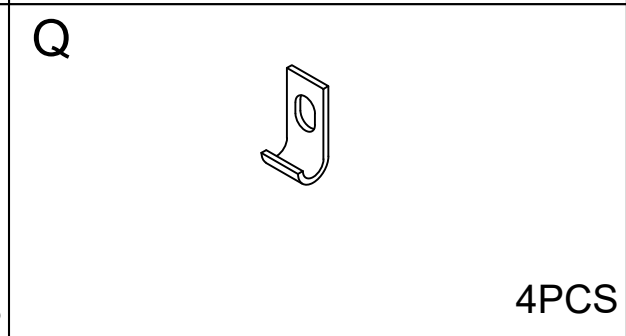
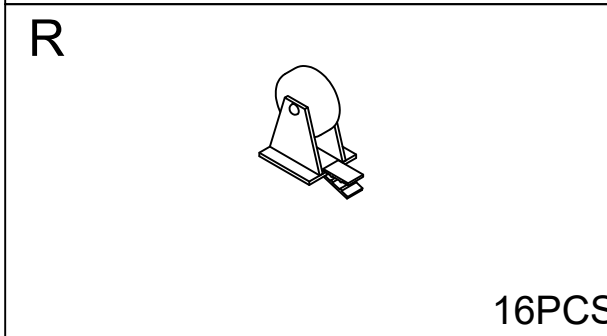
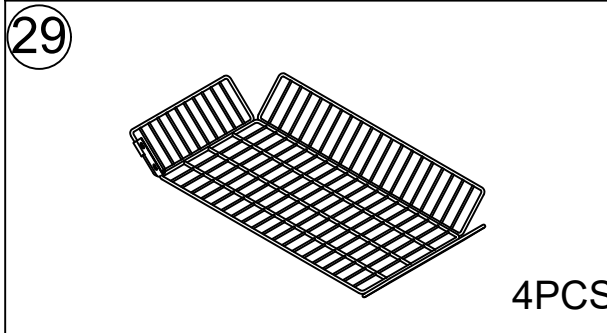
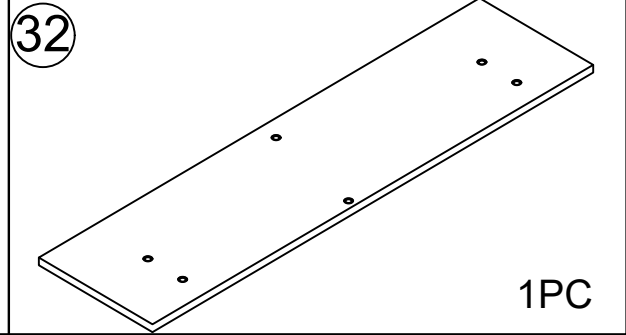
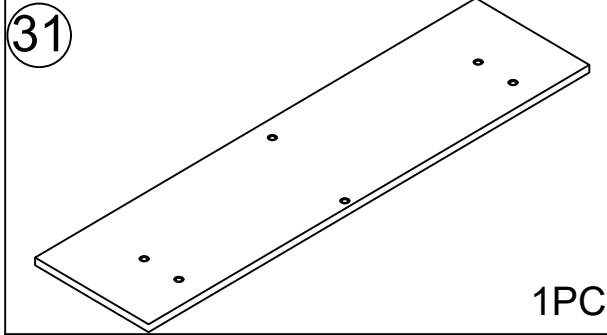
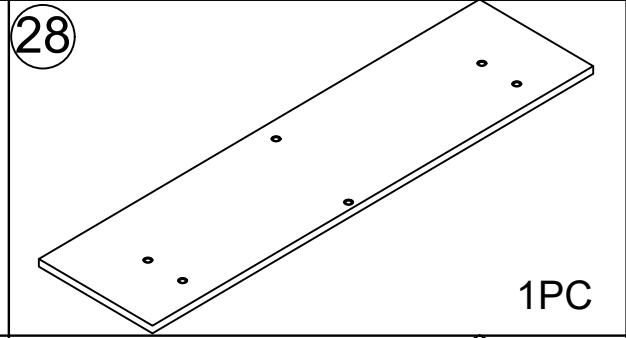
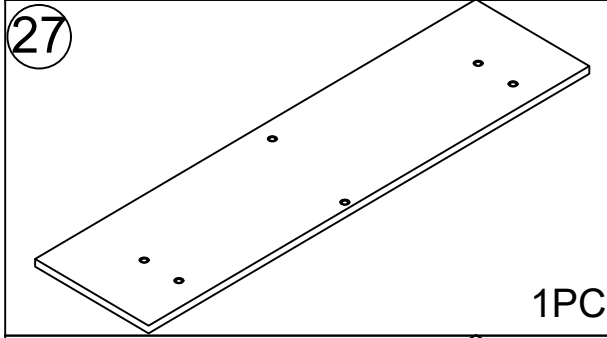
26

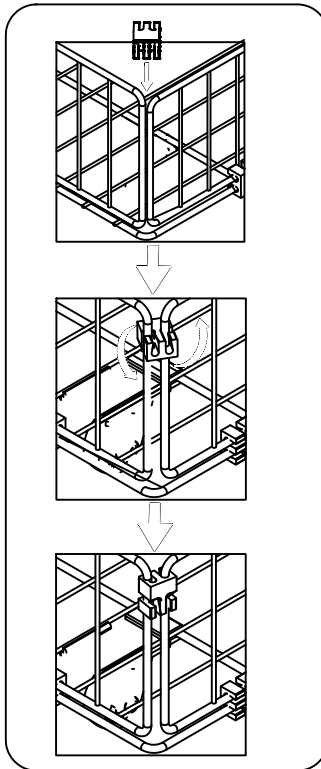
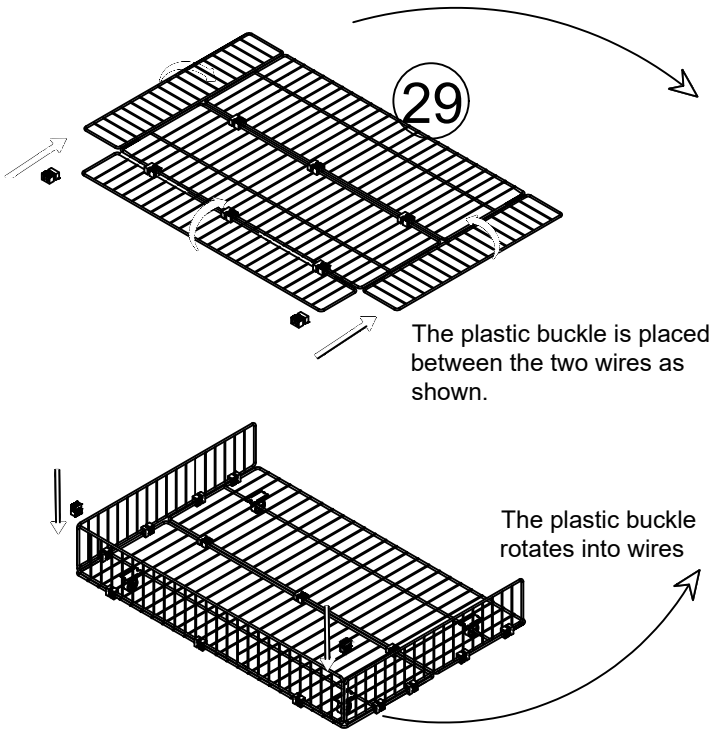




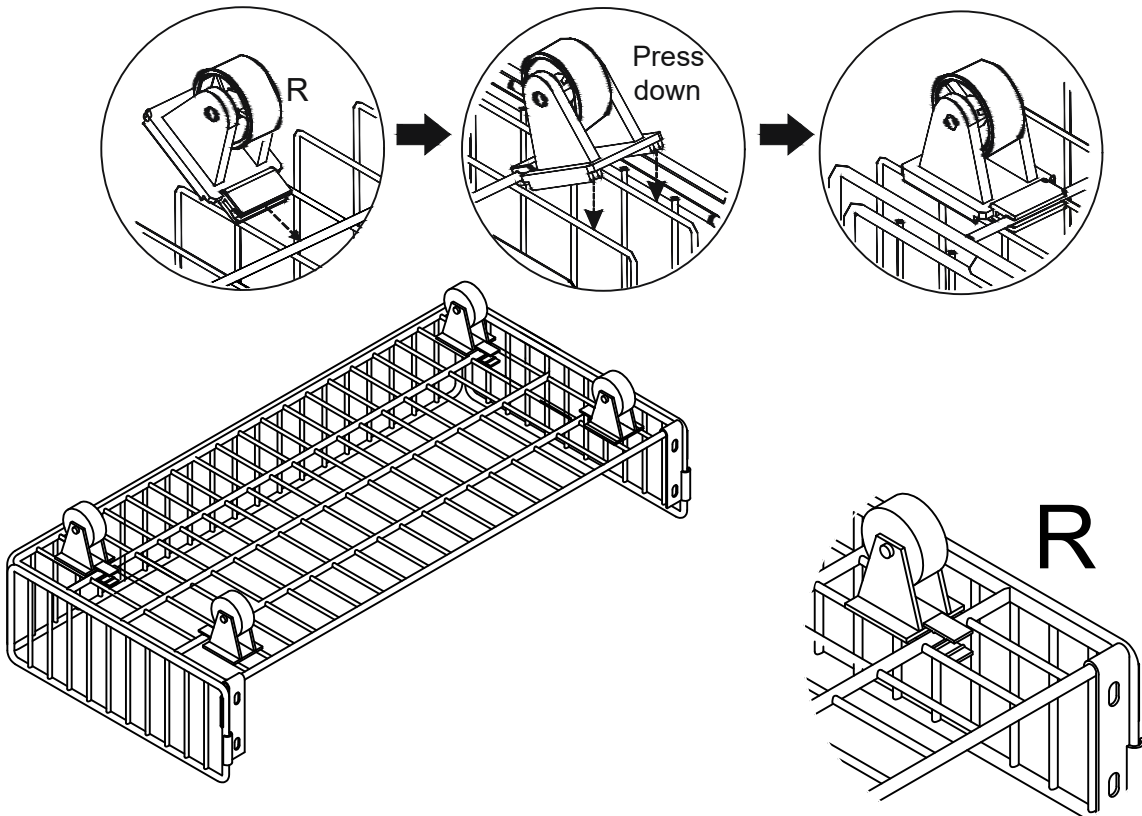
J		6pcs
	M8*50	

ASSEMBLY INSTRUCTIONS





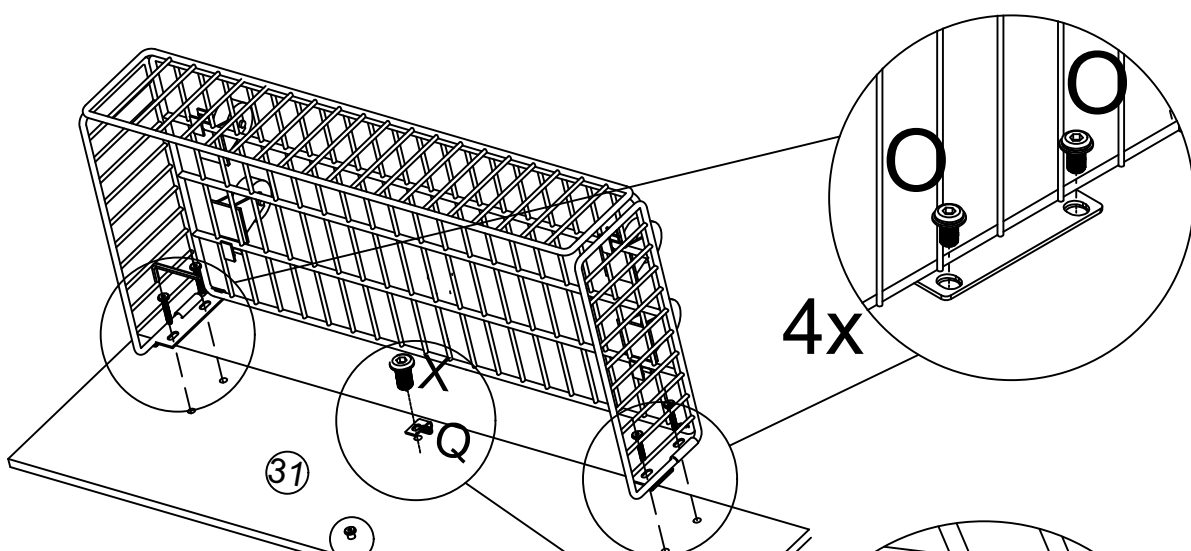
T		8pcs
---	--	------



R		16pcs
---	--	-------

ASSEMBLY INSTRUCTIONS

30



4x

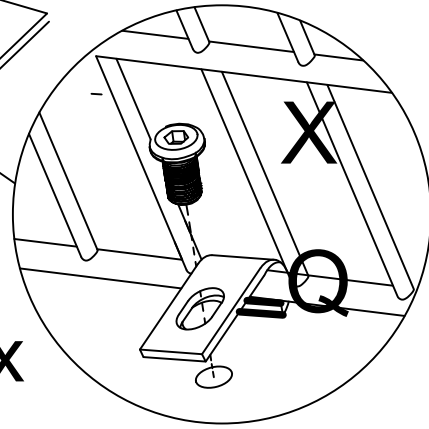
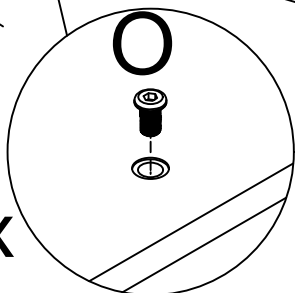
31

⚠ Don't lock screws, leave a gap

Q		4pcs
O		20pcs
X		4pcs

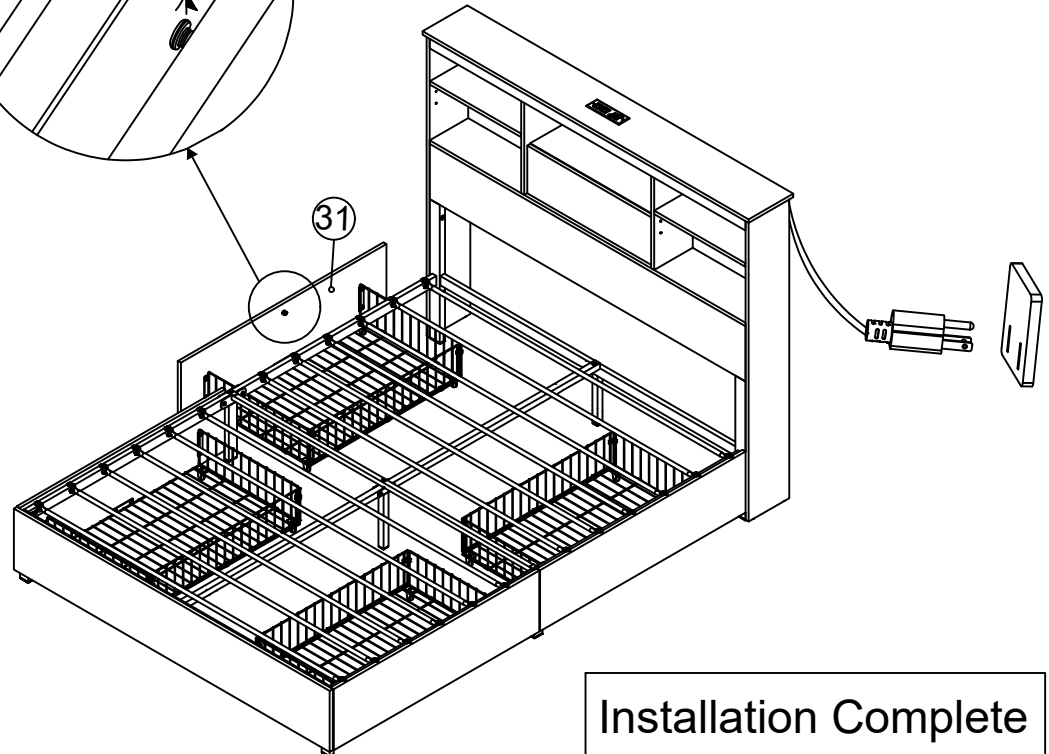
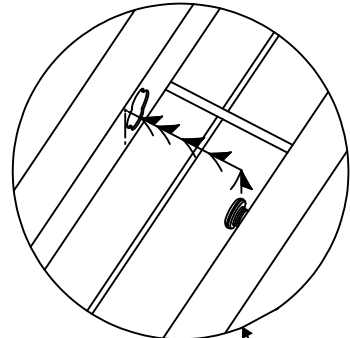
4x

4x



31

Gently lift the drawer, align the screw with the gourd-shaped hole, and then snap it in



Installation Complete