
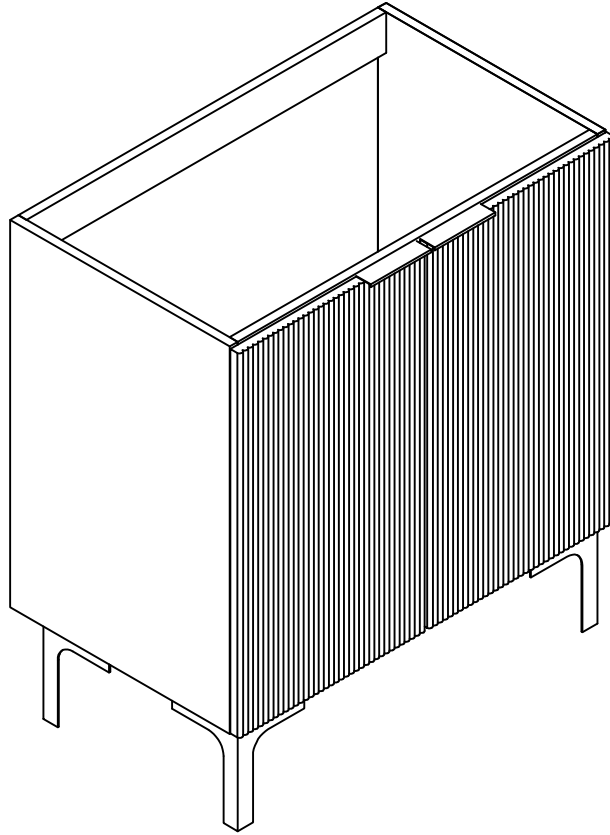
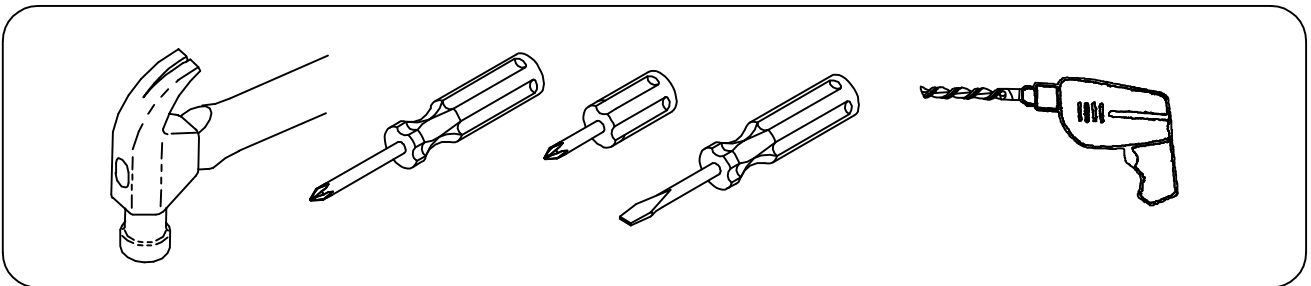


US 128

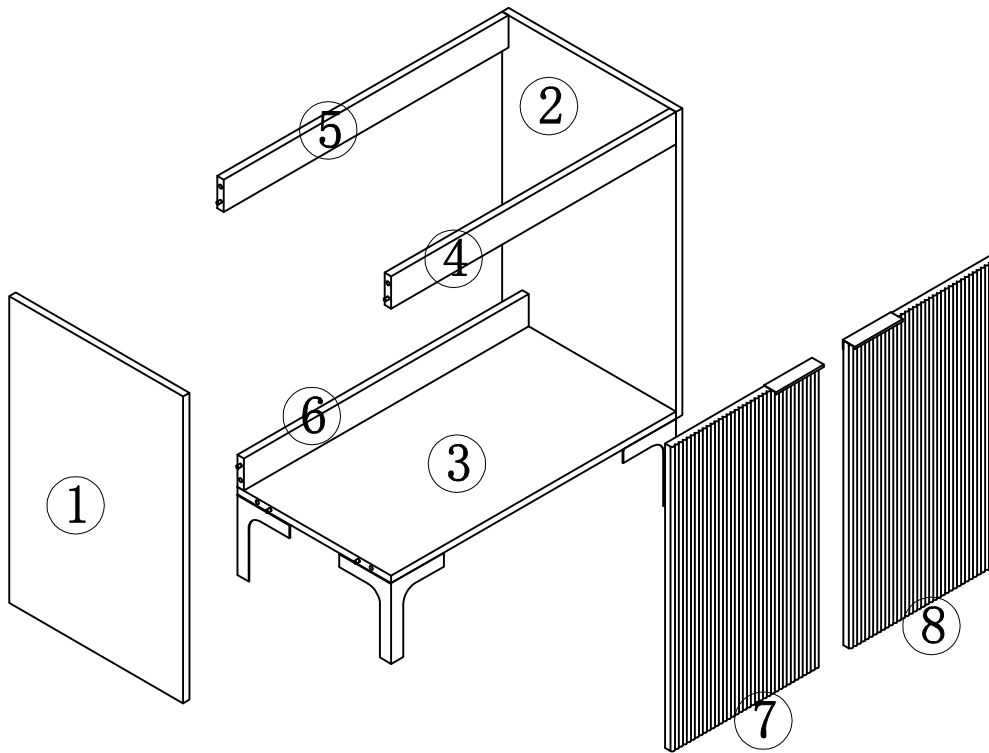


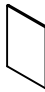
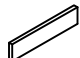
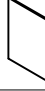

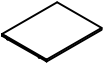

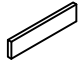




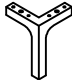







YOU MAY NEED (NOT SUPPLY)





ASSEMBLY DIAGRAM



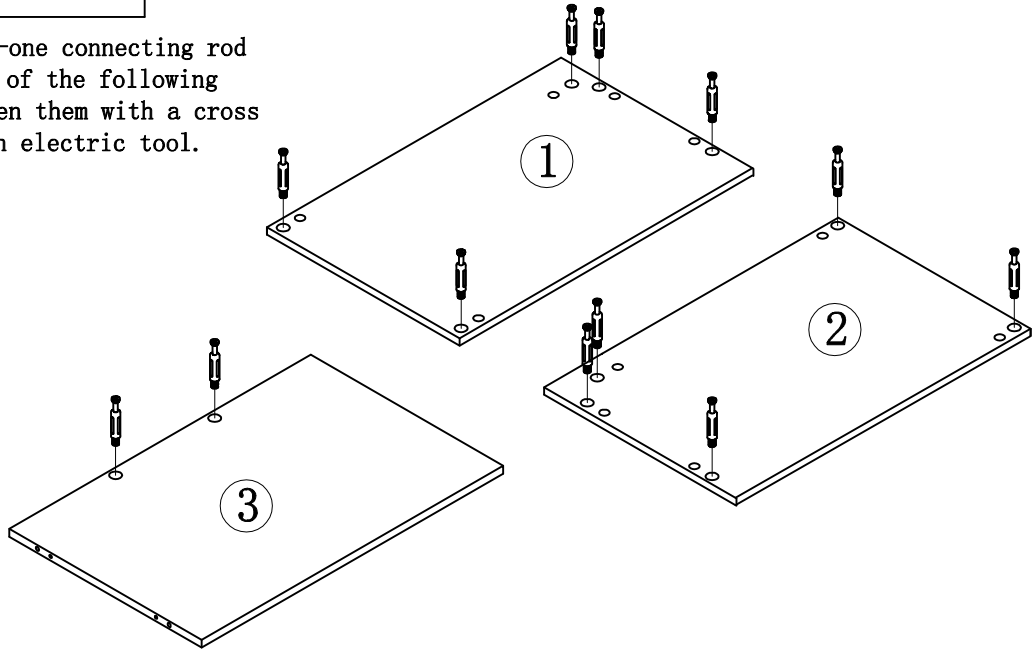
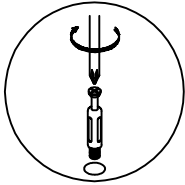
PARTS LIST					
PARTS LIST					
NO	DESCRIPTION	QTY	NO	DESCRIPTION	QTY
①	Left side panel 	1	⑤	Back fixed panel 	1
②	Right side panel 	1	⑥	Back fixed panel 	1
③	Bottom panel 	1	⑦	Left door panel 	1
④	Front fixed panel 	1	⑧	Right door panel 	1

PARTS LIST					
HARDWARE LIST					
NO	DESCRIPTION	QTY	NO	DESCRIPTION	QTY
A	Three-in-one eccentric wheel 	12	F	Metal feet 	4
B	Three-in-one connecting rod 	12	G	4*16mm screw 	40
C	Three-in-one sticker 	12	H	4*12mm screw 	4
D	8*40mm wood dowel pins 	10	I	Door handle 	2
E	Door hinges 	4			
CAUTION: Please confirm the parts list before installation					

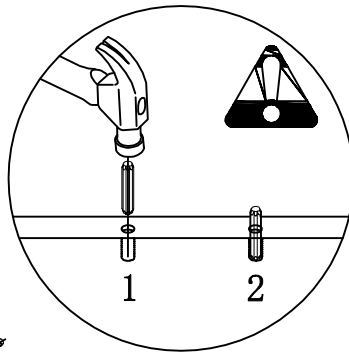
STEP 1

HARDWARE LIST	
Three-in-one connecting rod B  12PCS	

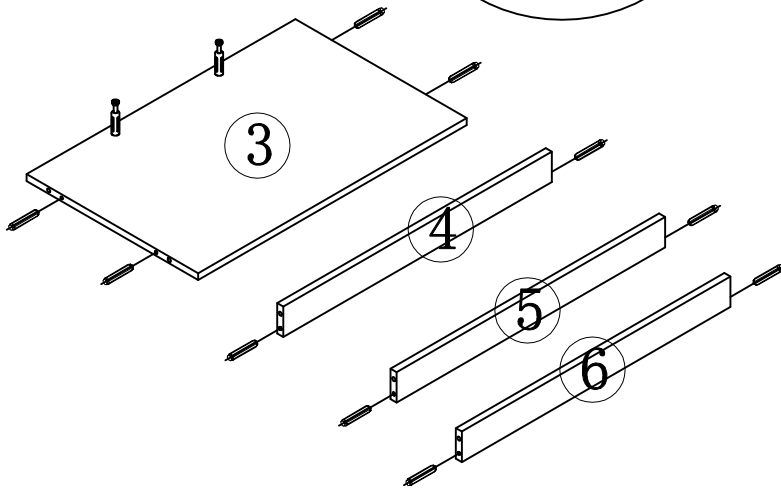
1. Put the three-in-one connecting rod in the 10mm hole of the following panels and tighten them with a cross screwdriver or an electric tool.


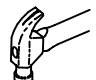


STEP 2

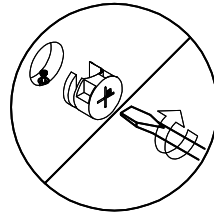
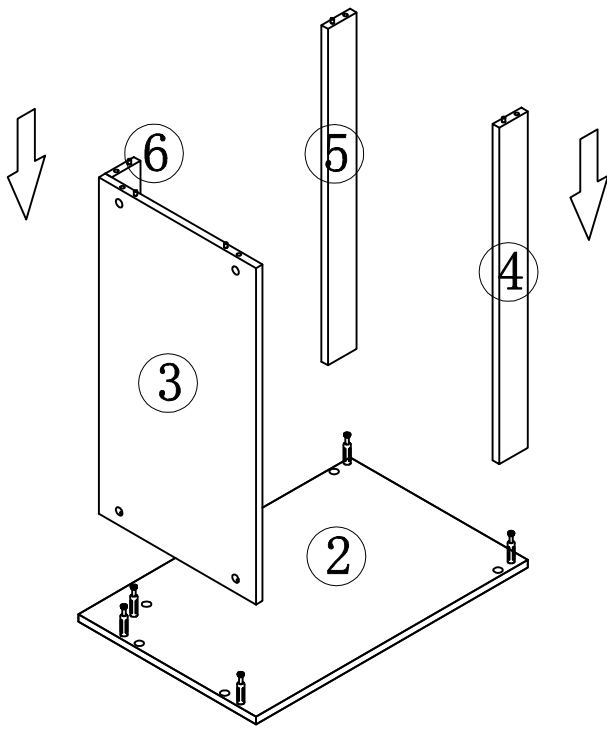


1. Strike the 08*40mm wood dowel pin into the 8mm hole of the above panels with an iron hammer. Please note that the hole of the three-in-one connecting rod should also be 8mm. The hole of the three-in-one connecting rod connects to the hole of 15mm three-in-one eccentric wheel.

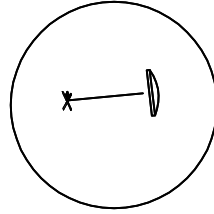


HARDWARE LIST	
8*40mm wood dowel pins D  10PCS	




STEP 3



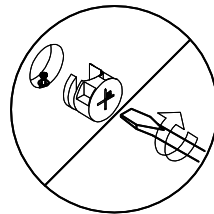
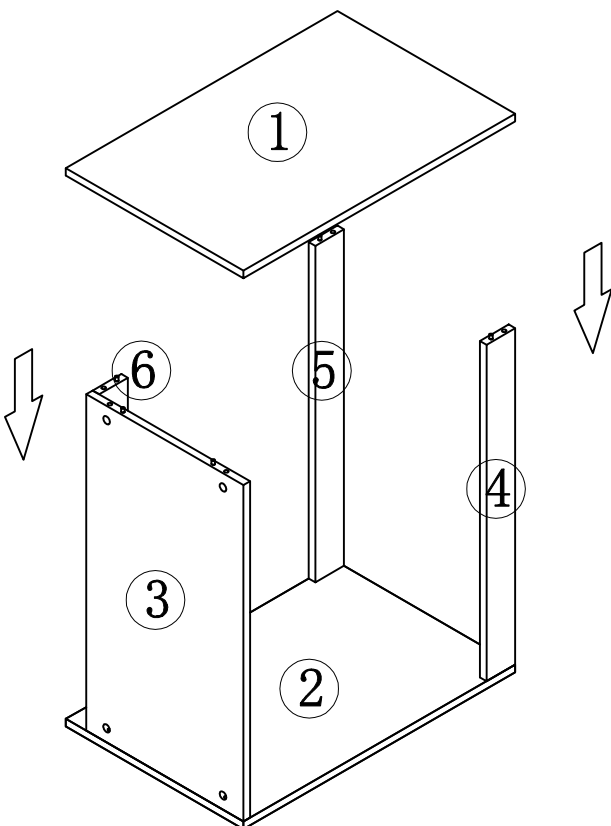
1. Connect No. 3-4-5-6 panel to No. 2 panel tightly with the three-in-one eccentric wheel.



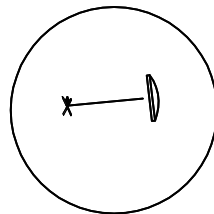
2. Cover the mounting hole of the eccentric wheel with a three-in-one sticker.

HARDWARE LIST		
Three-in-one eccentric wheel A  7PCS	Three-in-one sticker C  7PCS	


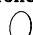

STEP 4



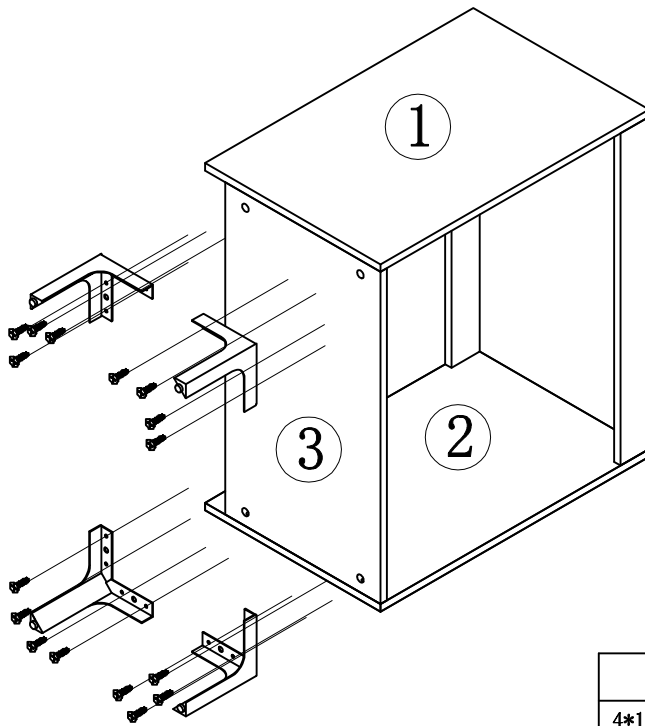
1. Connect No. 1 panel to No. 3-4-5-6 panel tightly with the three-in-one eccentric wheel.






2. Cover the mounting hole of the eccentric wheel with a three-in-one sticker.

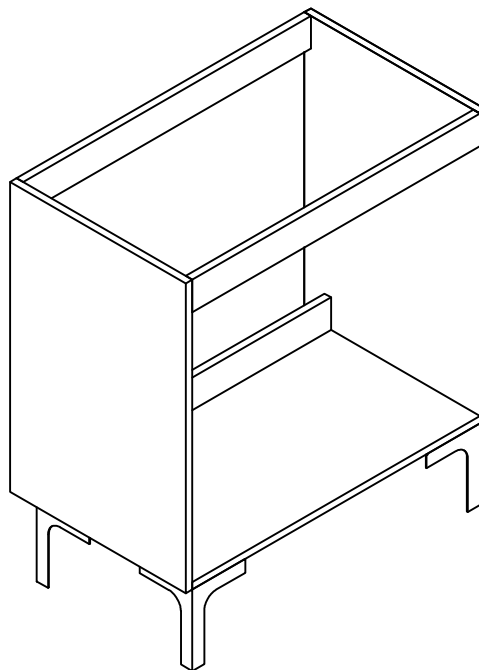
HARDWARE LIST		
Three-in-one eccentric wheel A  5PCS	Three-in-one sticker C  5PCS	

STEP 5

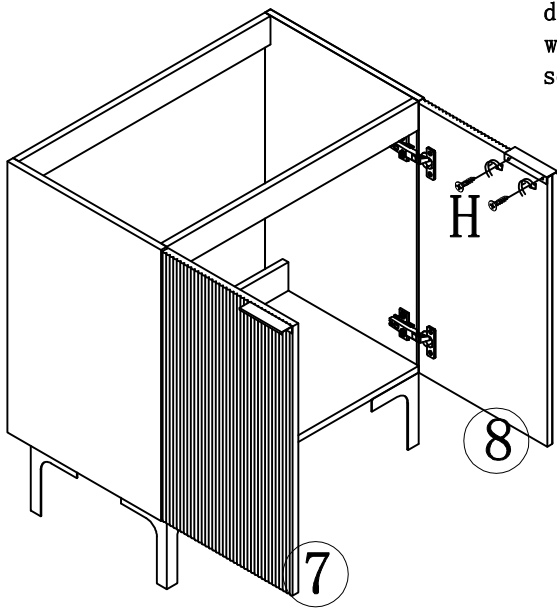


Use 4*16 screws to fix the Metal feet

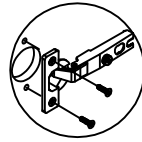
HARDWARE LIST		
4*16mm screw	Metal feet	
G  16PCS	F  4PCS	



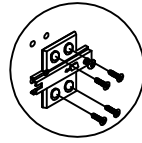
STEP 6



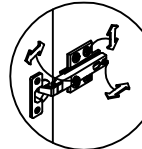
Install the door handle with 4*12mm screws.



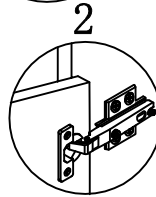
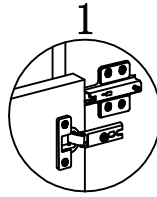
1. Install the hinge cup to the door panel with 4*16mm screws.



2. Install the hinge to the side panel with 4*16mm screws.



4. Adjust the door panel clearance.

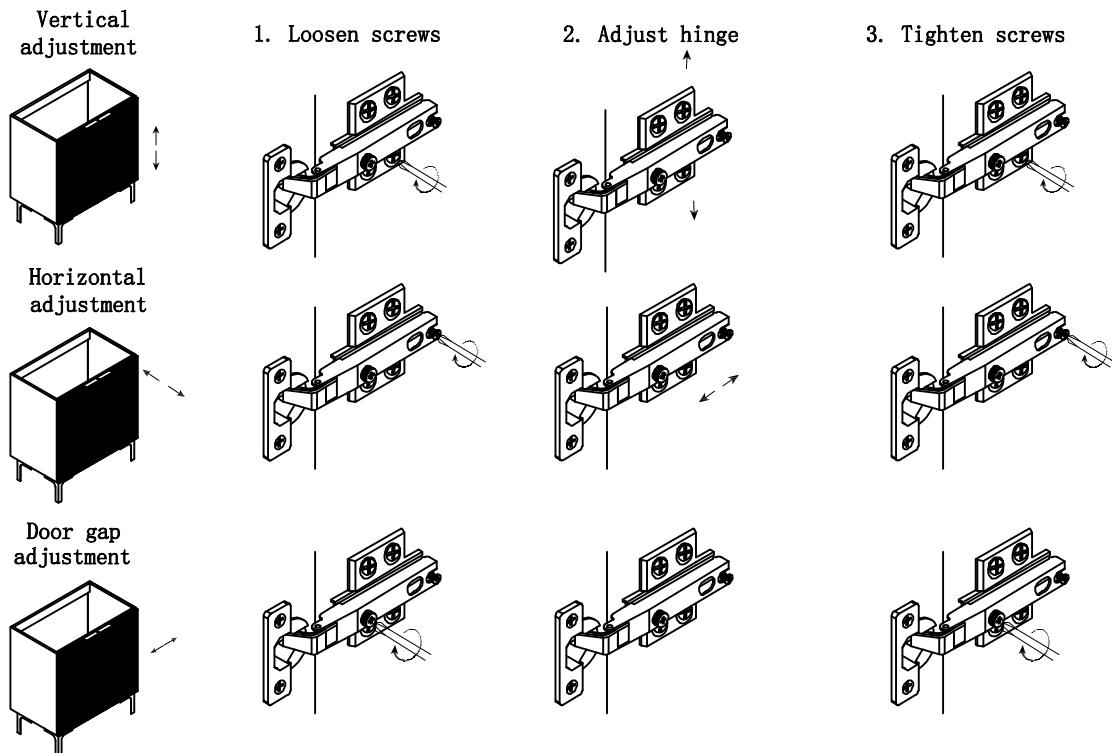


3. Install the hinge cup on the door panel to the hinge of the side panel.

HARDWARE LIST				
4*16mm screw	Door hinge	Door handle	4*12mm screw	
G  24PCS	E  4PCS	I  2PCS	H  4PCS	

Hinge/Door Adjustment and Realignment

If adjustment or realignment is needed, follow the instructions provided in the following chart.





Choking hazard-Small Parts : This unit contains small parts, not for children under 3 years.

Tip-over hazard : Secure finished unit to wall stud using L-Bracket and wall screw (#10*1.5"W/out provided). If a wall stud is not neccessible , Consault your local hardware store for appropriate mounting hardware . Failure to properly install will result in product collapse or tip-over. Serious injury can occur .