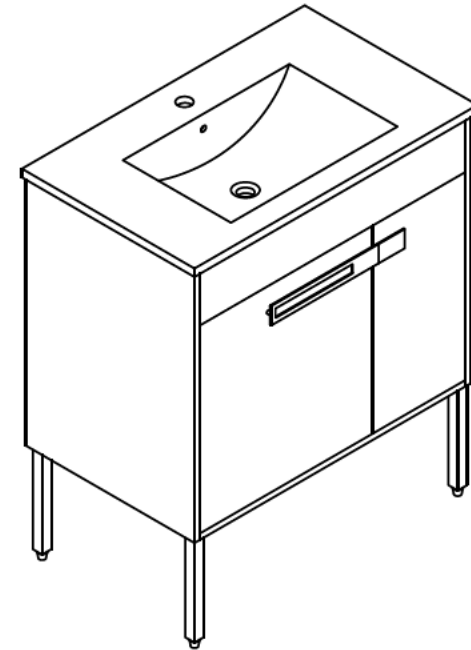


THANKS FOR WATCHING


















Your feedback is invaluable to us and we would love to hear about your experience. Please take the time to leave us a review.



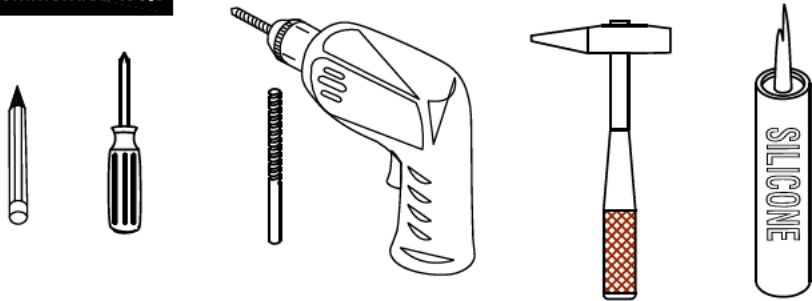
Thank you for shopping with us!

We encourage you to take a few minutes to go through this booklet. It contains important information on installation and care tips to keep your furniture looking as good as new.

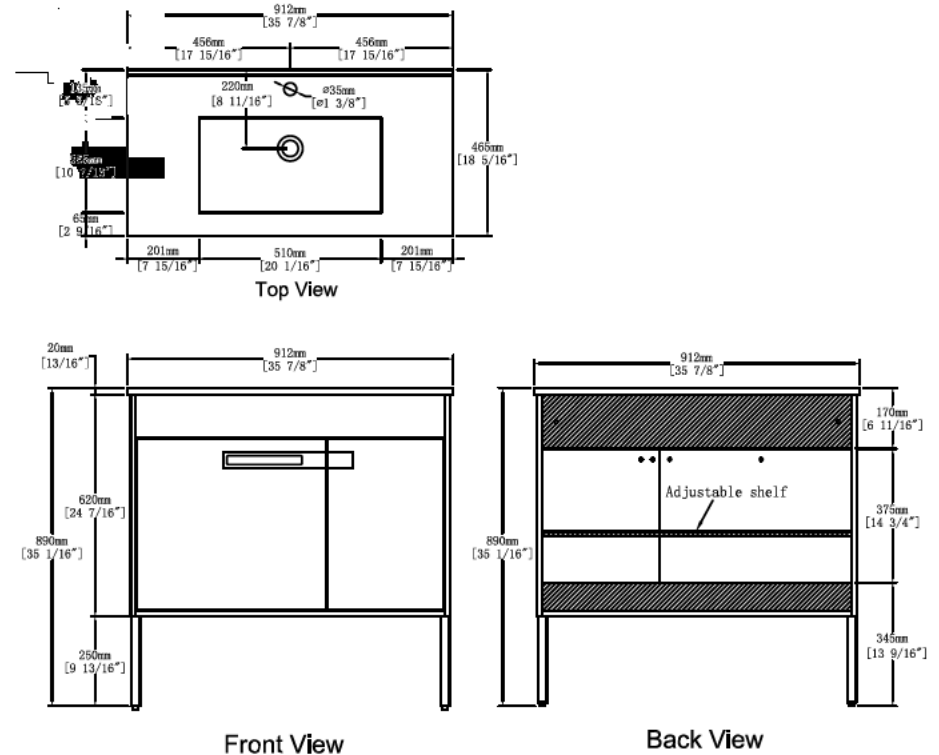
Hardware

NO.	Draw	QTY	NO.	Draw	QTY
A	 Screws Ø4x14mm	60	J	 Hinges	6
B	 Two-in-one connector	21	K	 Handle (Screws M4x18mm)	1
C	 Two-in-one connector	21	L	 Feet	4
D	 Wood plug	4	M	 Screws M4x14mm	16
E	 Plastic anchor(Ø10mm)	2	N	 Bracket (14x14x28mm)	1
F	 Screws for fix on the wall	2	O	 Anti-collision gasket	2
G	 Bracket (53x70x44mm)	2	P	 Movable laminate support	4
H	 Bracket (19x19x35mm)	2	Q	 Screwdriver	1
I	 Door stopper	2			

Recommended tools



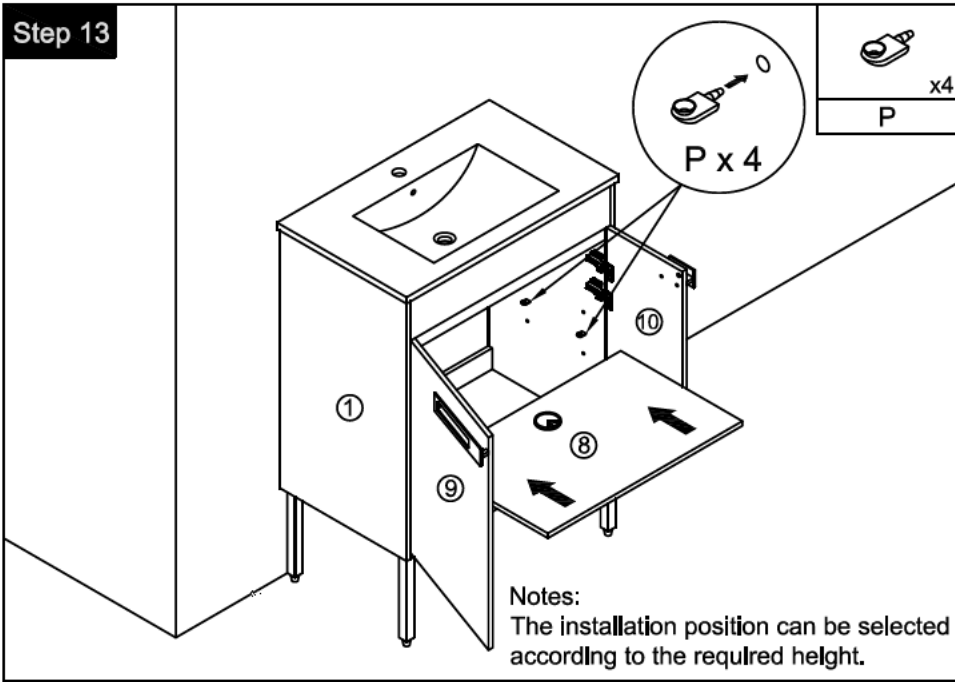
Dimensions



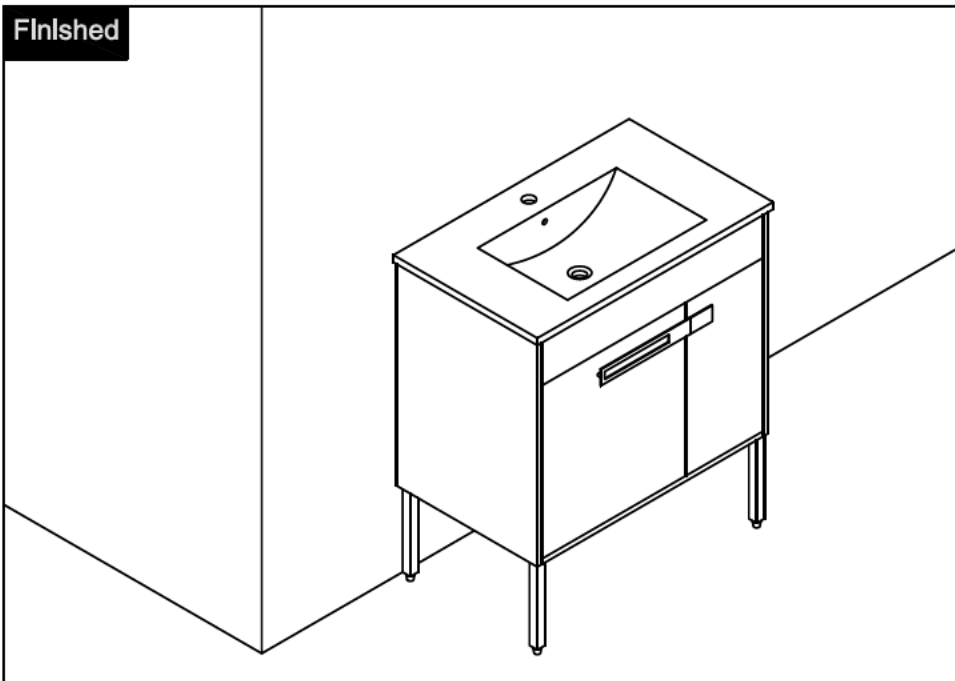
CARE CLEANING AND MAINTENANCE

1. Dust regularly with a soft , dry cloth.
2. Avoid the use of all chemicals household cleaners, abrasives, or cleaners that contain lemon, vinegar, or other acids that may damage the finish.
3. Excessive exposure to sunlight and extreme changes in temperature and moisture can damage wood furniture.
4. The sink top is resilient, but care needs to be taken to preserve its appearance.
5. Do not place hot appliances, such as curling irons and hot hair dryers directly on the countertop. Wipe spills immediately.

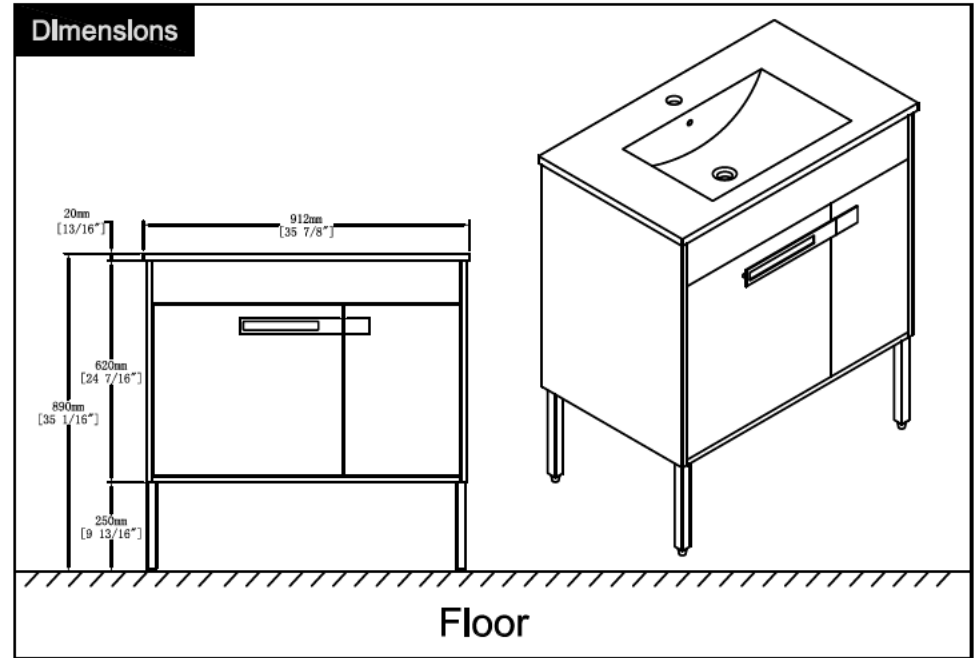
Step 13



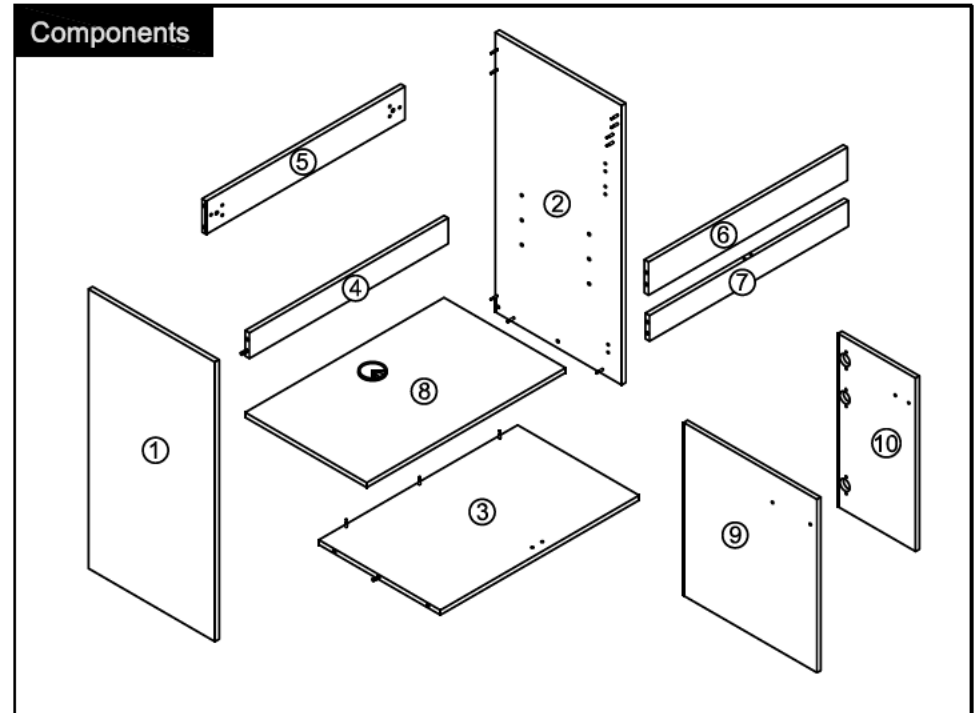
Finished



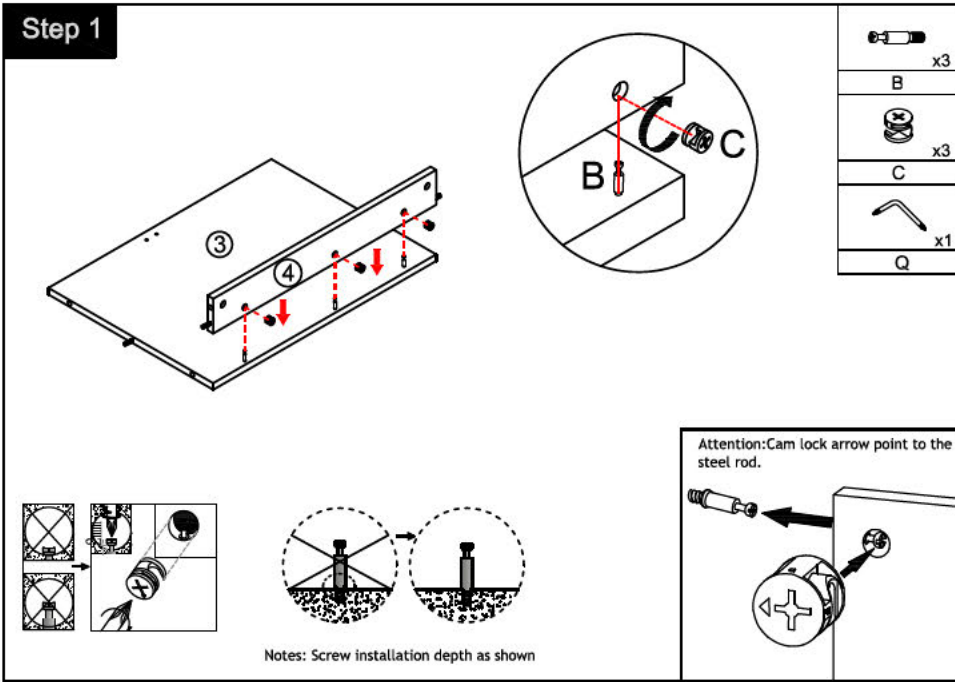
Dimensions



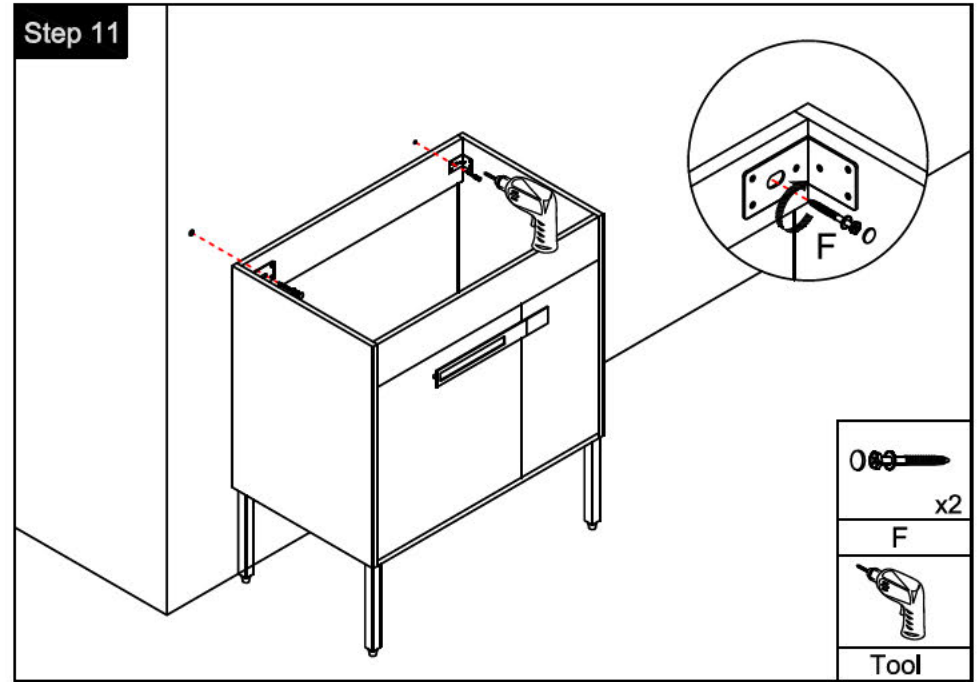
Components



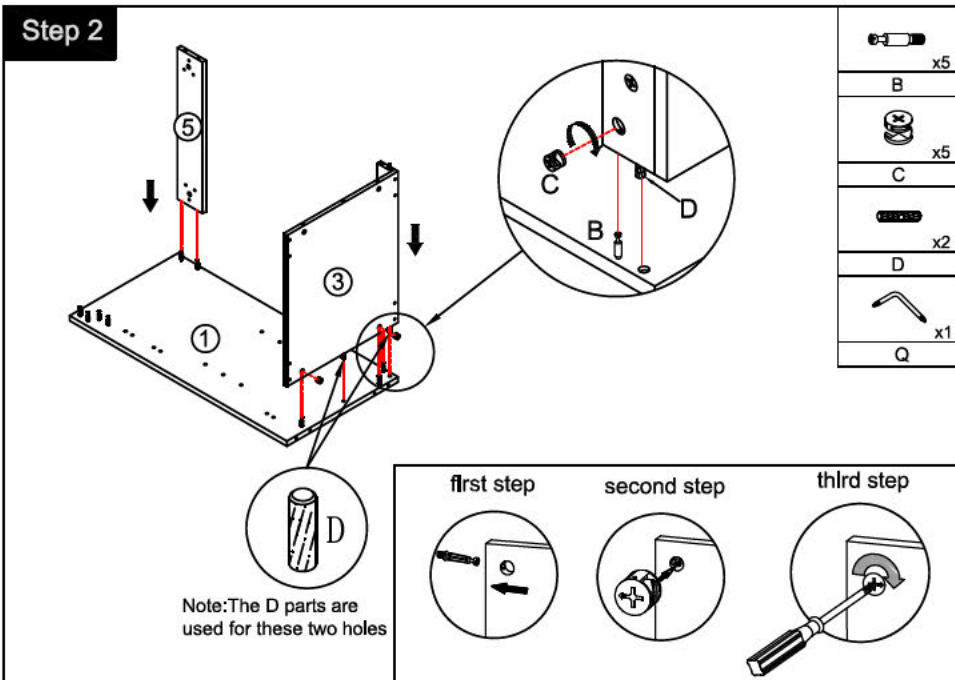
Step 1



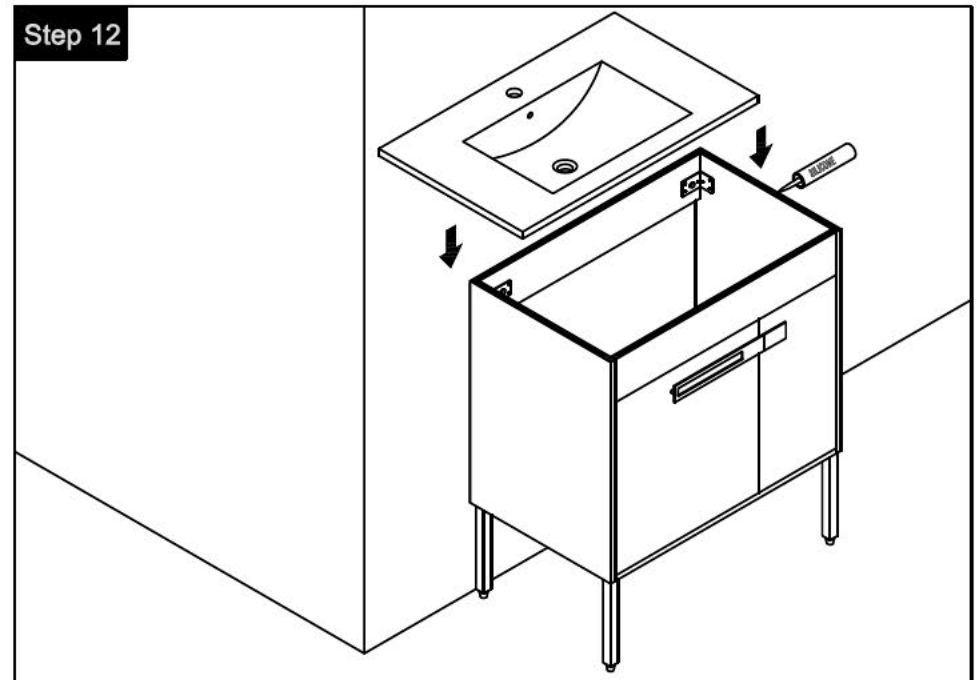
Step 11



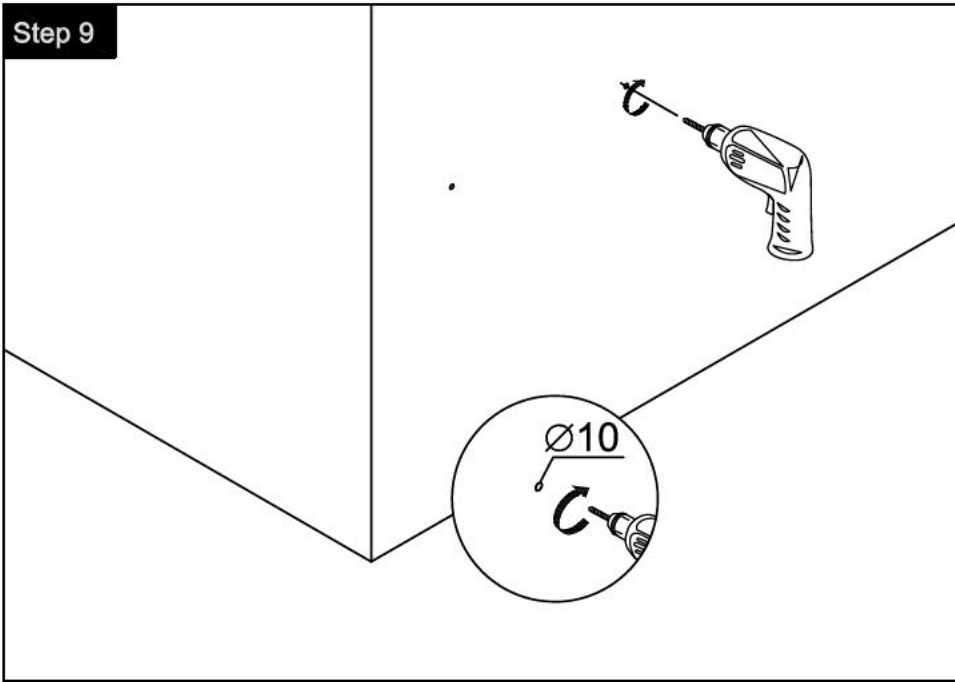
Step 2



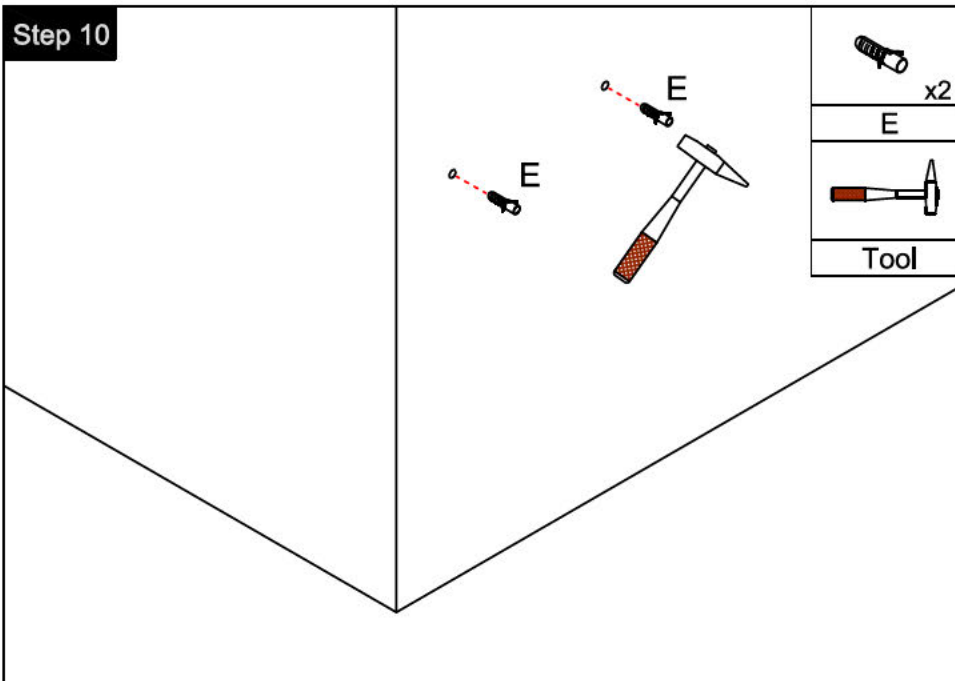
Step 12



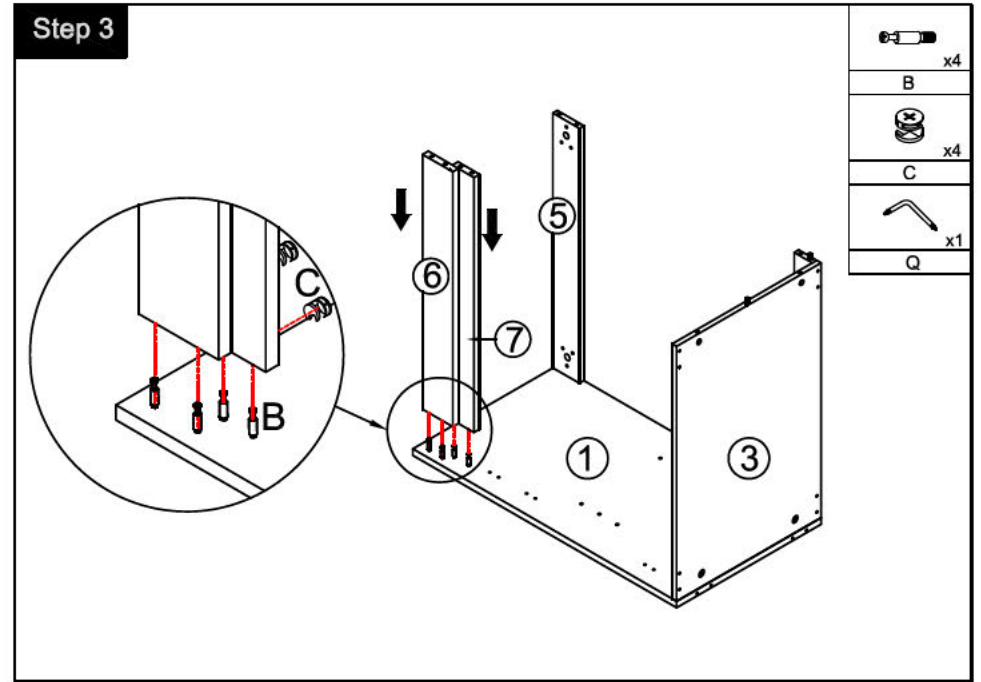
Step 9



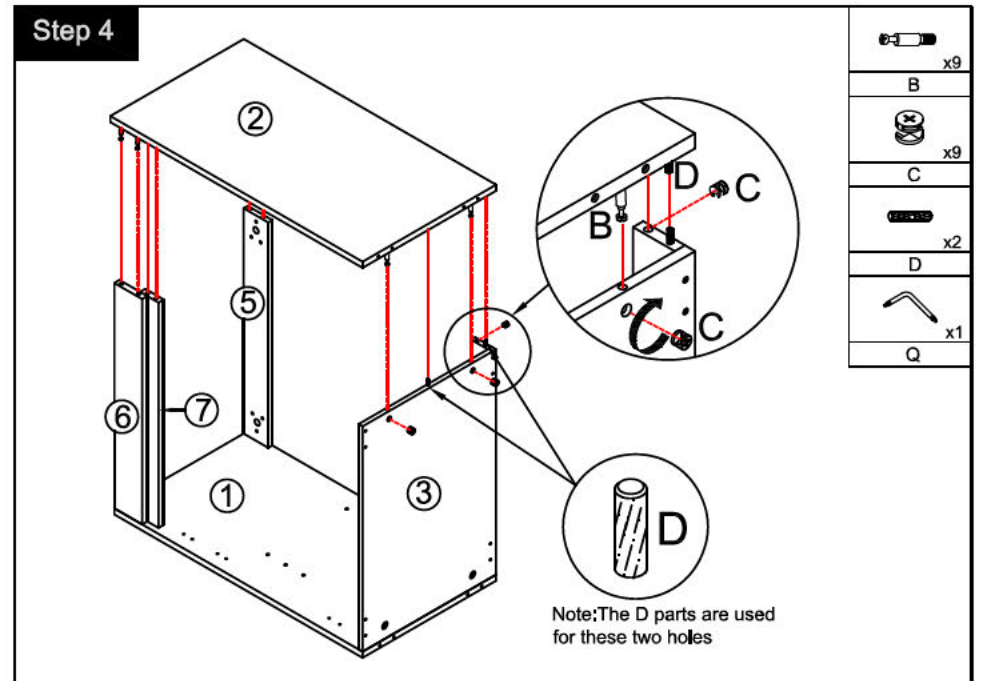
Step 10



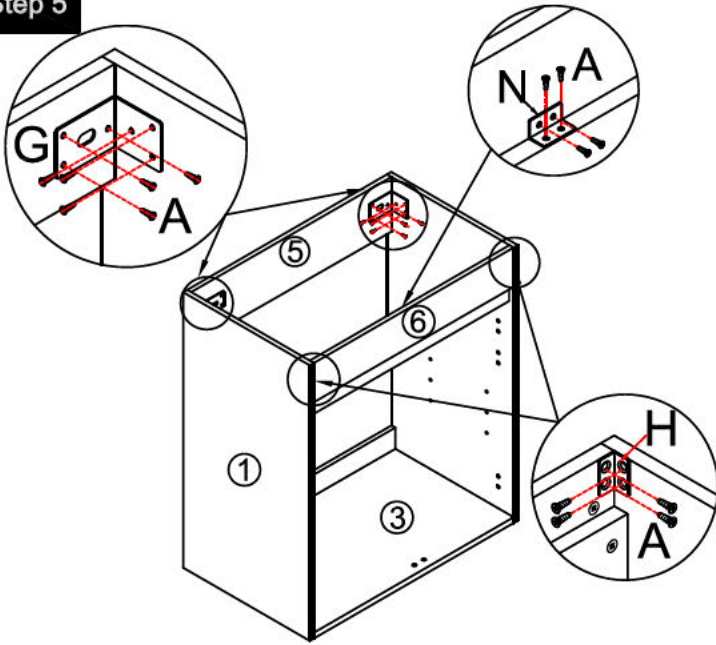
Step 3



Step 4

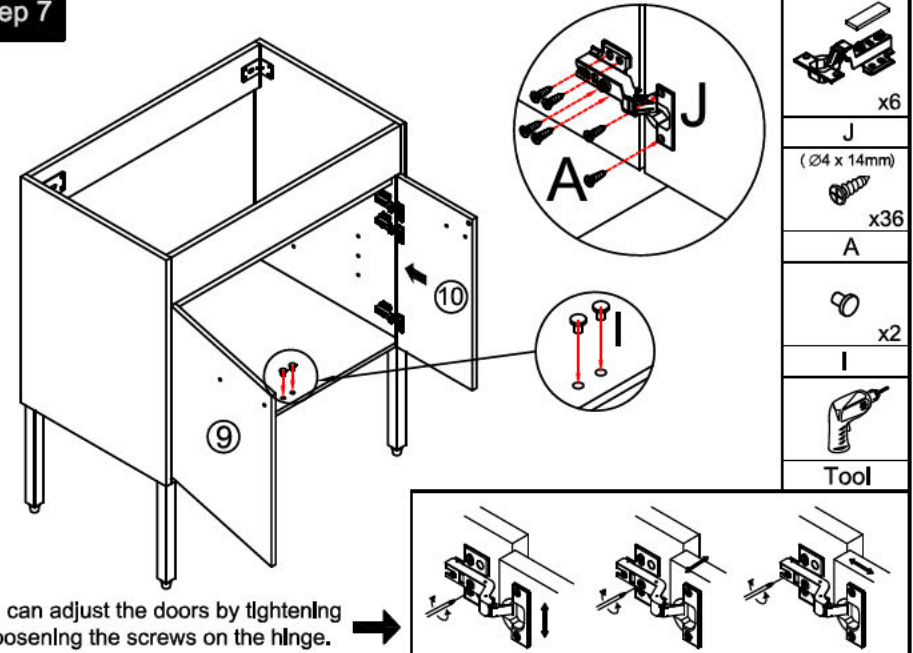


Step 5



	x2
G	
	x2
H	
	x1
N	
($\varnothing 4 \times 14\text{mm}$)	
	x24
A	
Tool	

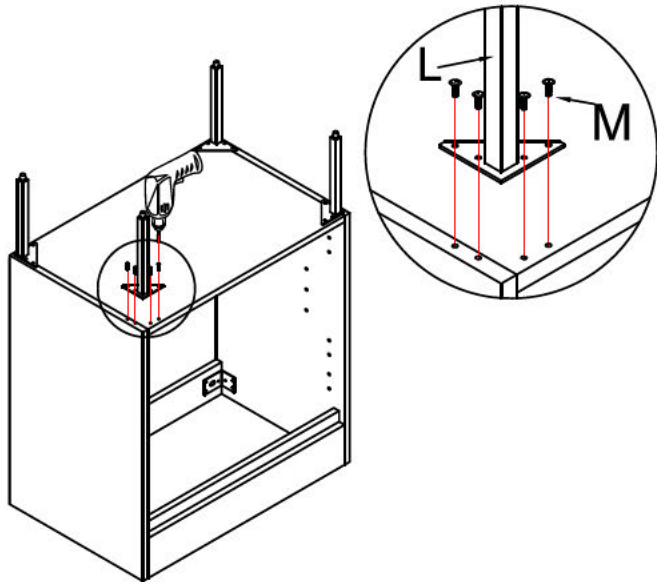
Step 7



You can adjust the doors by tightening or loosening the screws on the hinge. →

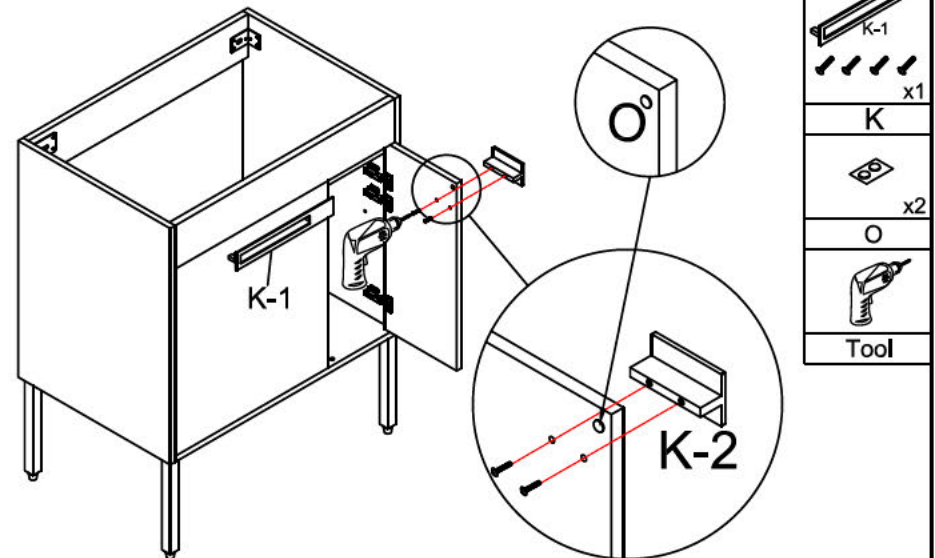
	x6
J	
($\varnothing 4 \times 14\text{mm}$)	
	x36
A	
	x2
I	
Tool	

Step 6



	x4
L	
(M4 x 14mm)	
	x16
M	
Tool	

Step 8



	x2
K-2	
	x1
K-1	
	x1
K	
	x2
O	
Tool	