



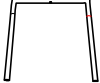





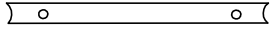
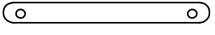
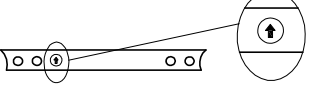
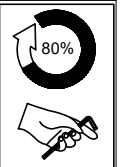
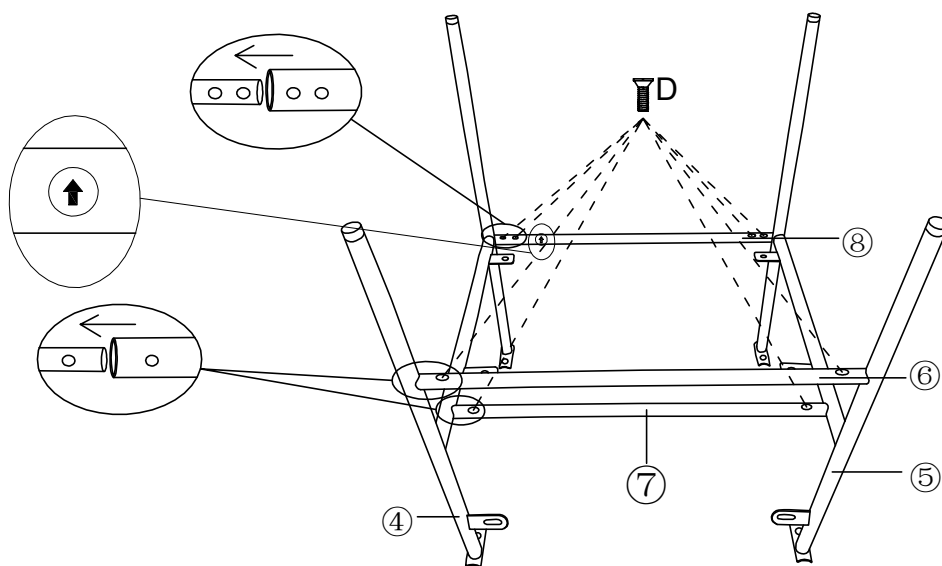


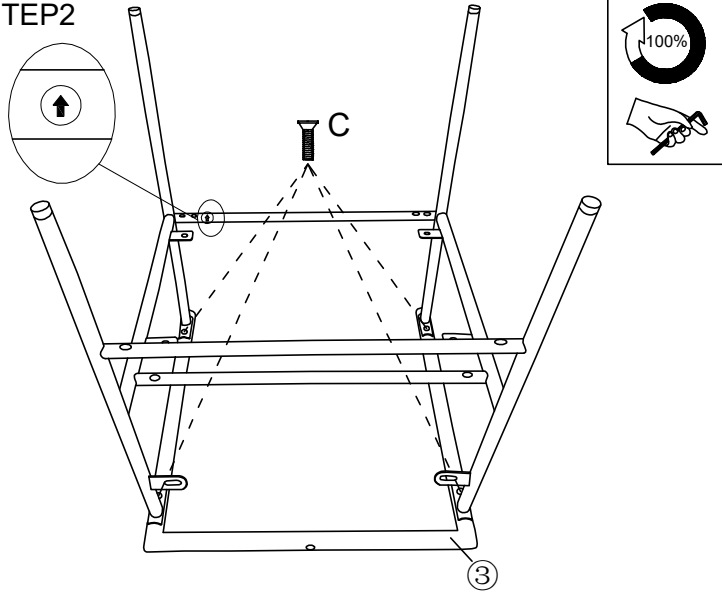
Assembly Instruction

①*1pc		A*1+1EXT	 M6*45MM
②*1pc		B*6+1EXT	 M6*20MM
③*1pc		C*4+1EXT	 M6*16MM
④*1pc		D*8+1EXT	 M6*12MM
⑤*1pc		G*1	 M4
⑥*1pc			
⑦*1pc			
⑧*1pc			

STEP1

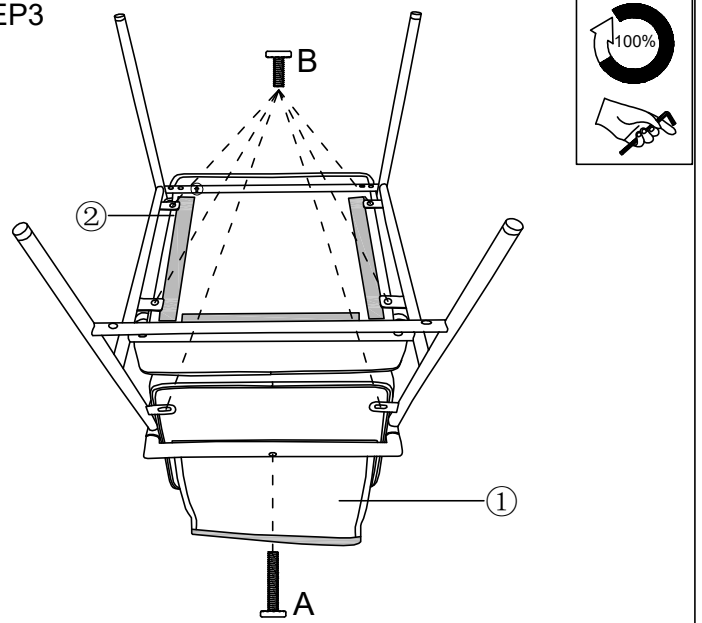


STEP2

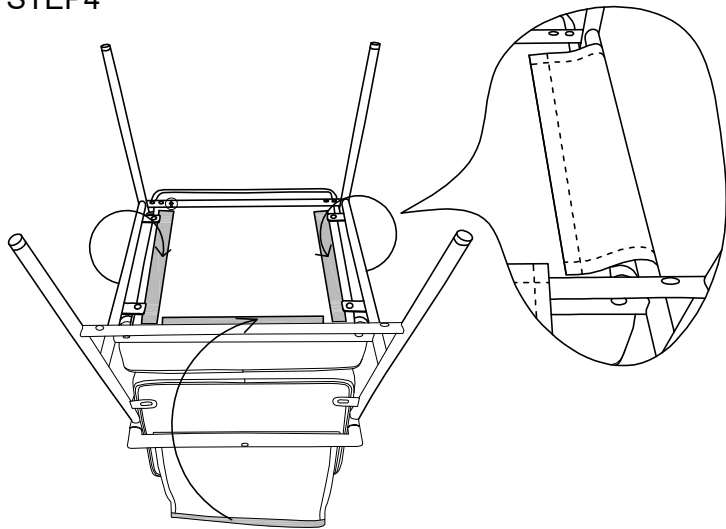


Fasten All screws indicate on Step 1.

STEP3



STEP4



STEP5

