

Loveseat Recliner

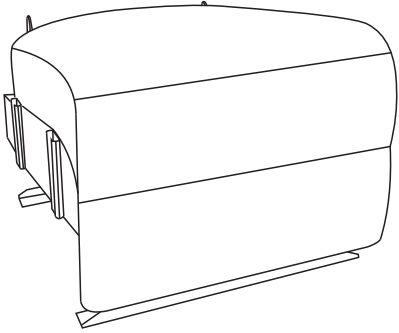
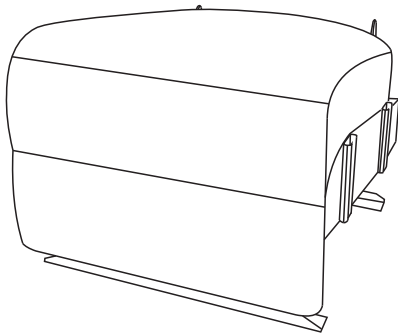
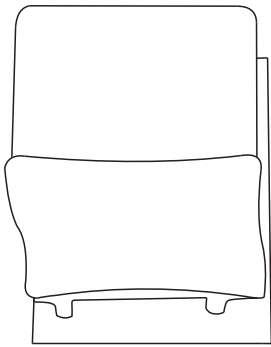
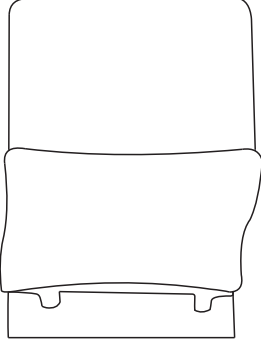
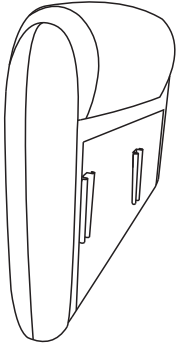
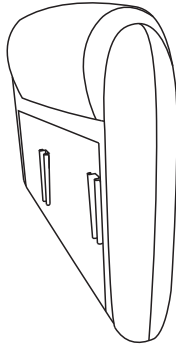
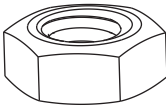
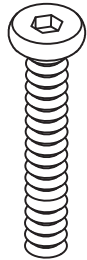
Operating Instruction



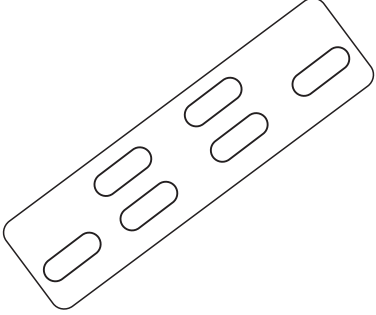
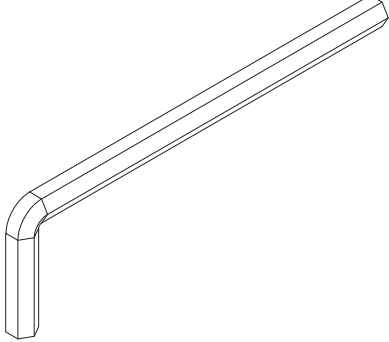
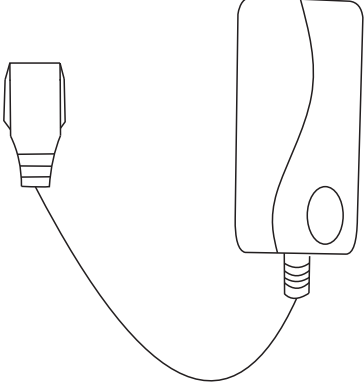
Note: This sofa is shipped in 4 separate boxes.

If you have any questions after receiving your delivery, please don't hesitate to contact us and include photos. We'll do our best to assist you!

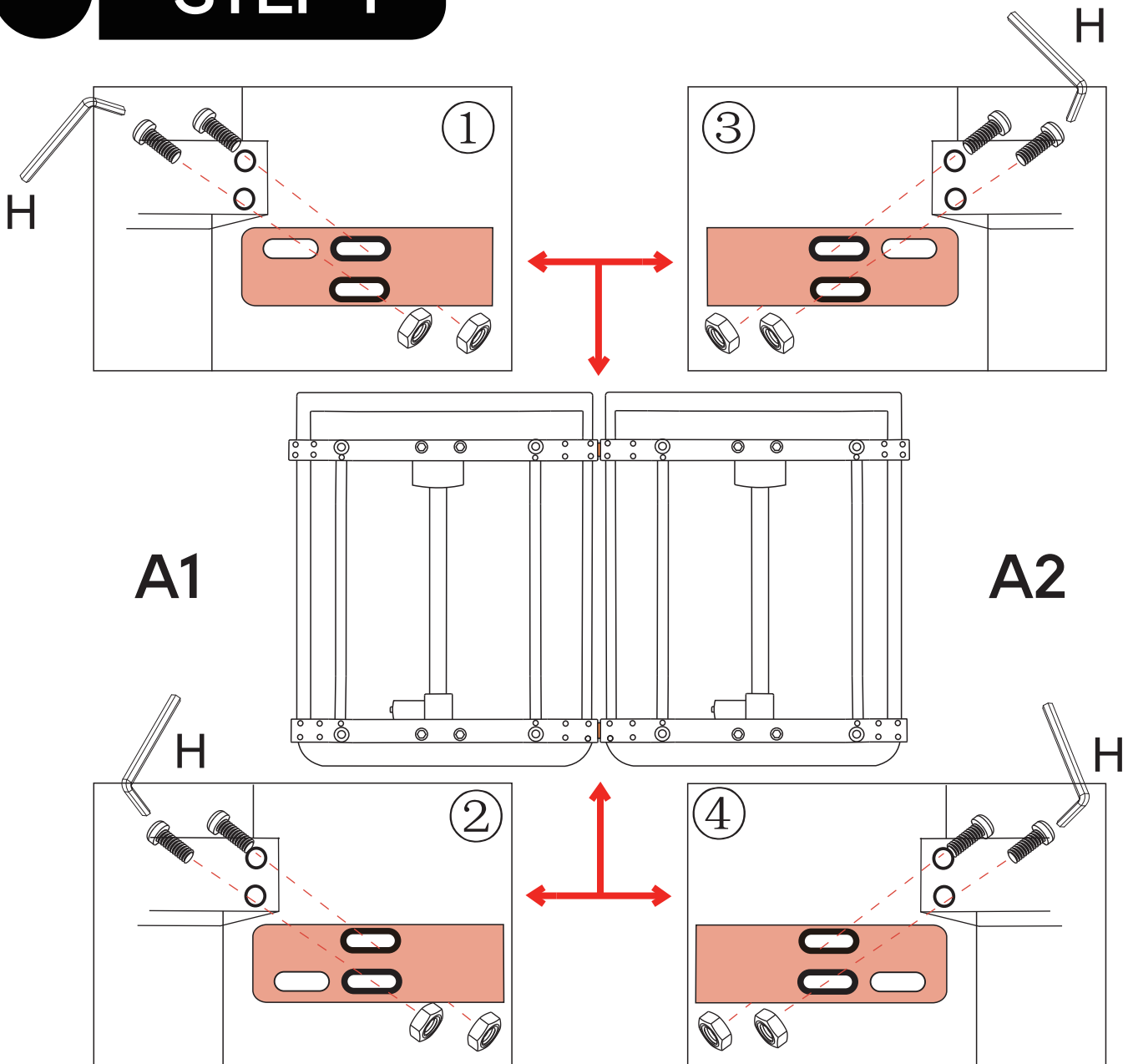
PARTS LISTING

Part	Description	Qty	Part	Description	Qty
A1		1PC	A2		1PC
B1		1PC	B2		1PC
C		1PC	D		1PC
E		8PCS	F	 M6*25	8PCS

HARDWARE BOX

Part	Description	Qty	Part	Description	Qty
G		2PCS	H		1PC
I		2PCS			

STEP 1



Accessories Included:

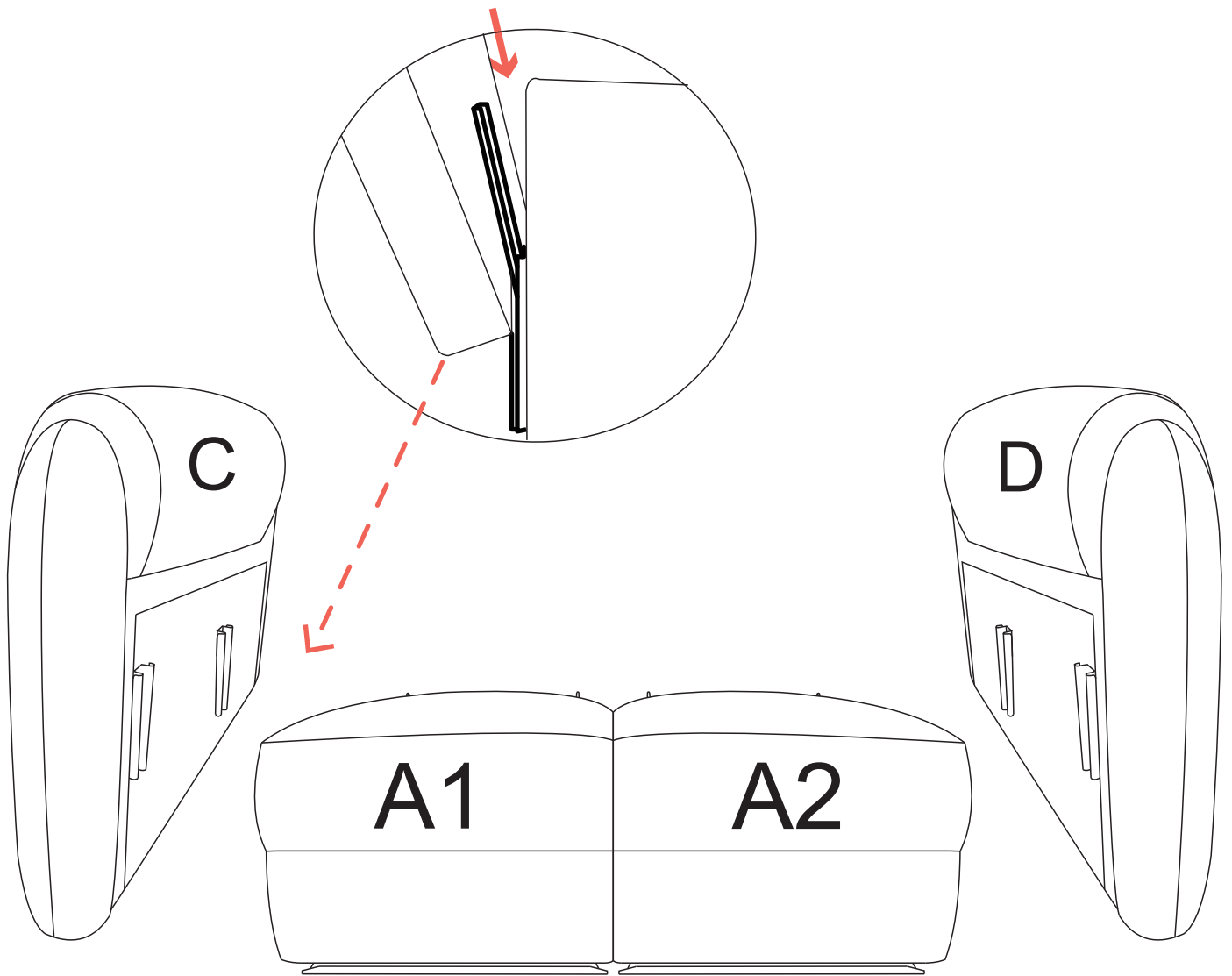
Part G x2, Part F x8, Part E x8, Part H x1

Assembly Instructions:

Flip the base upside down and align both sides. Use the two metal plates (Part G) to connect the left and right base sections.

Align the two holes on the base with the holes on the metal plates, then secure them using Parts H, F, and E.

STEP 2



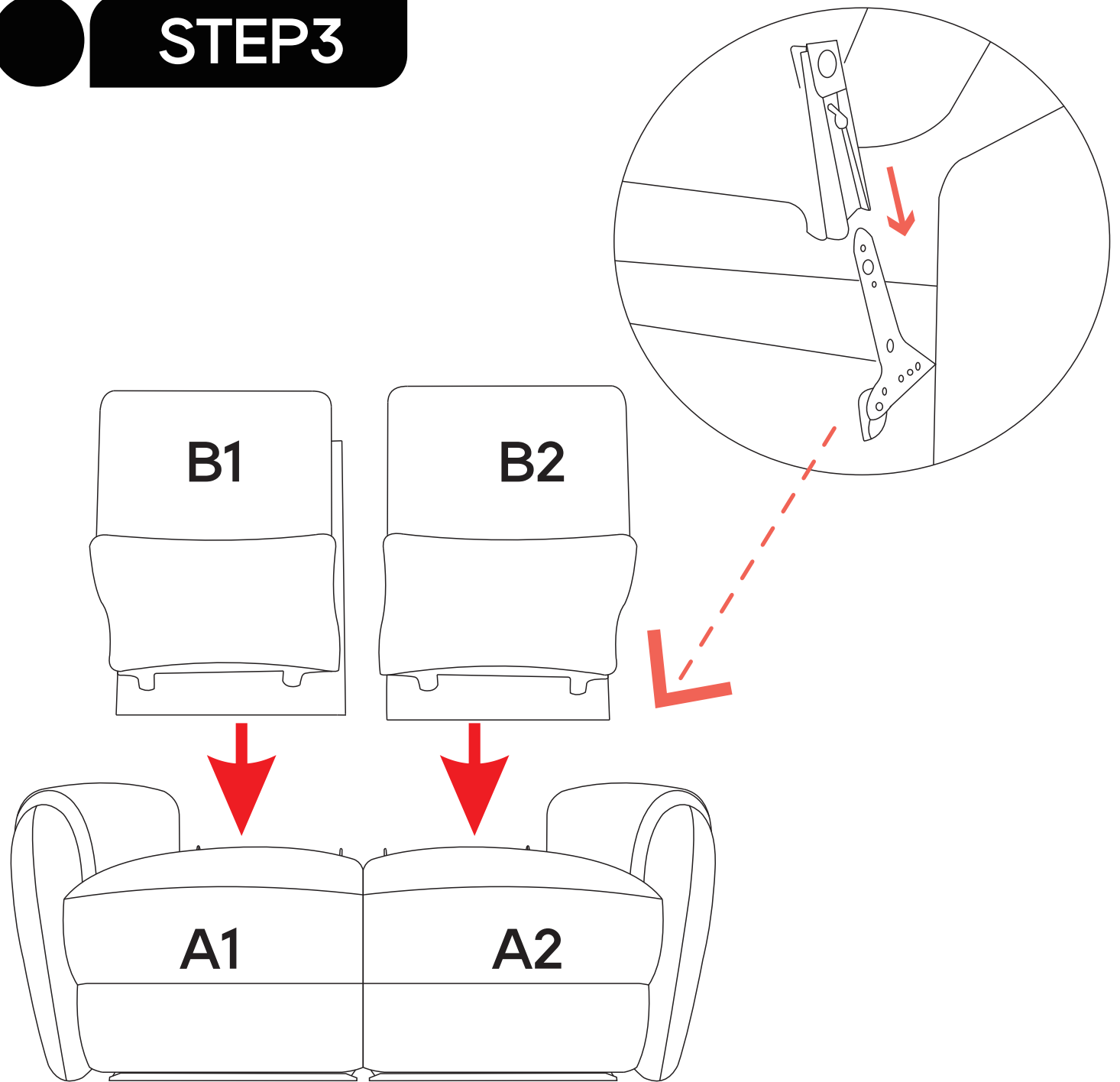
Accessories Included:

Part C x1, Part D x1

Assembly Instructions:

Attach Parts C and D to the base using the sliding rails.
Make sure the rails click securely into place.

STEP 3



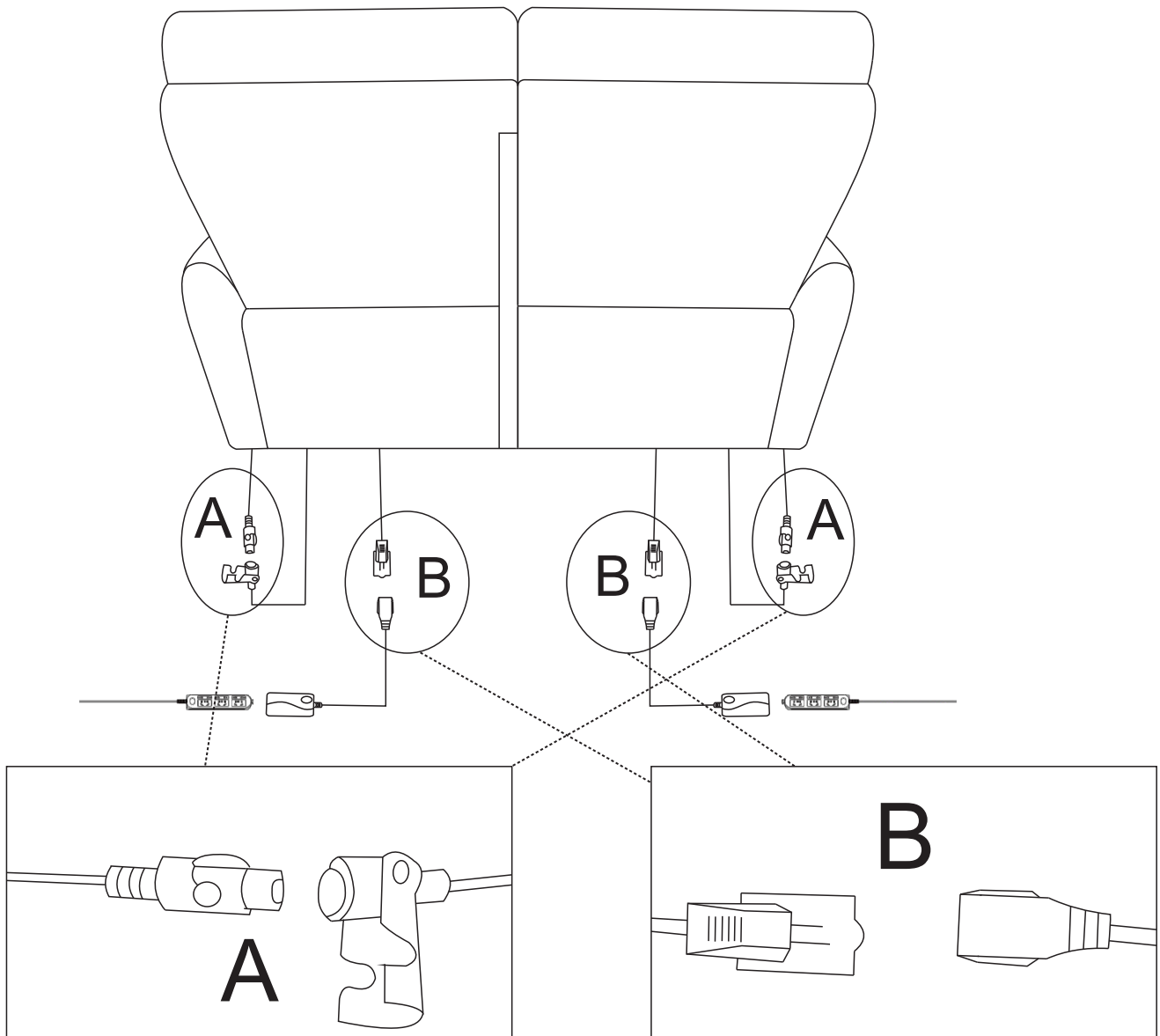
Accessories Included:

Part B1 x1, Part B2 x1

Assembly Instructions:

Align the backrests (Part B1 and Part B2) with the slots on the base (Part A1 and Part A2), then push firmly until you hear a "click" sound - this means the parts are securely installed.

STEP 4



Accessories Included:

Part I × 2

Assembly Instructions:

Step 1: Connect the wires at the bottom of each armrest to the corresponding wires on the seat base, as shown in Circle A.

Step 2: Plug Part I (the power adapter) into the designated port on the bottom of each seat base, as shown in Circle B.



Congratulations on completing the assembly!

Your power recliner is now ready to use. Once plugged in, you can adjust the reclining angle using the buttons next to the armrest. We hope you enjoy your new recliner!

Note: Please unplug the power when not in use to prevent any accidents.