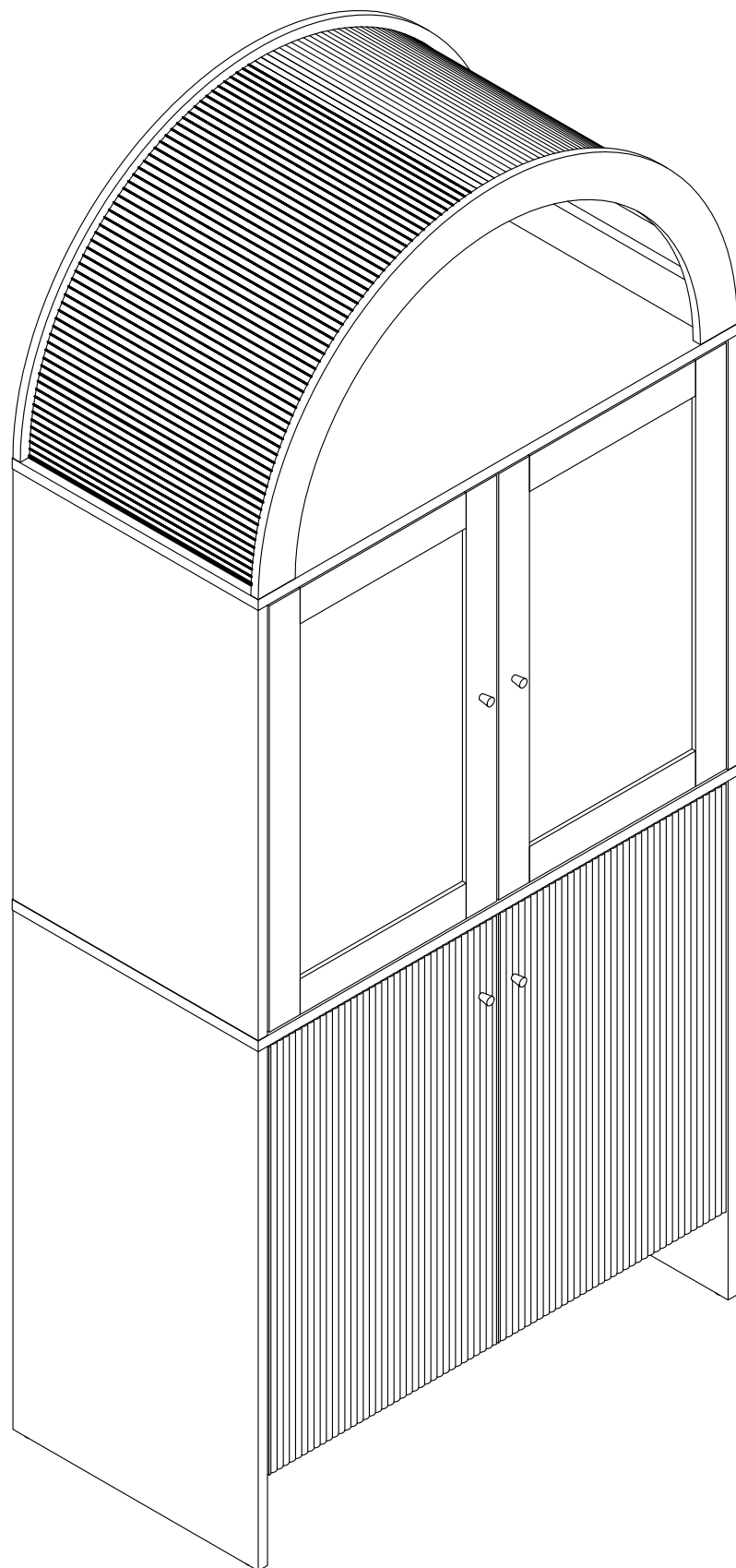
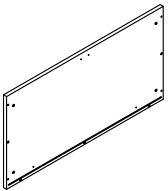
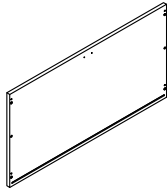
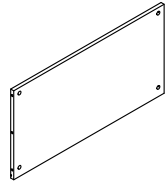
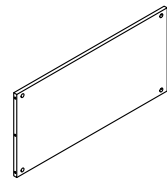
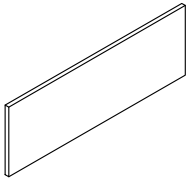
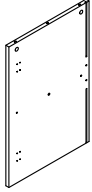

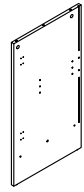

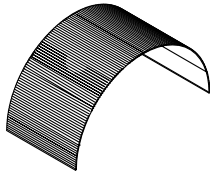
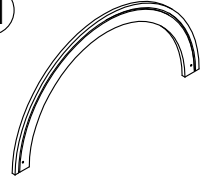
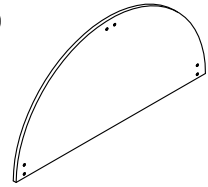
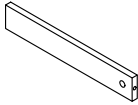
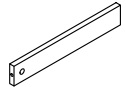
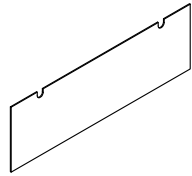
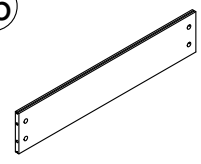
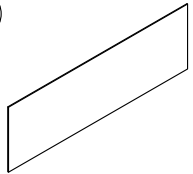
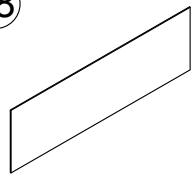
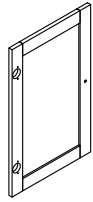
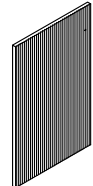
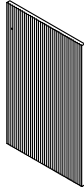


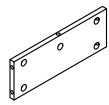
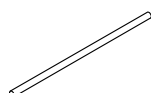
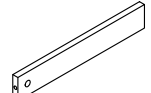















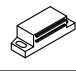




Assembly Instruction

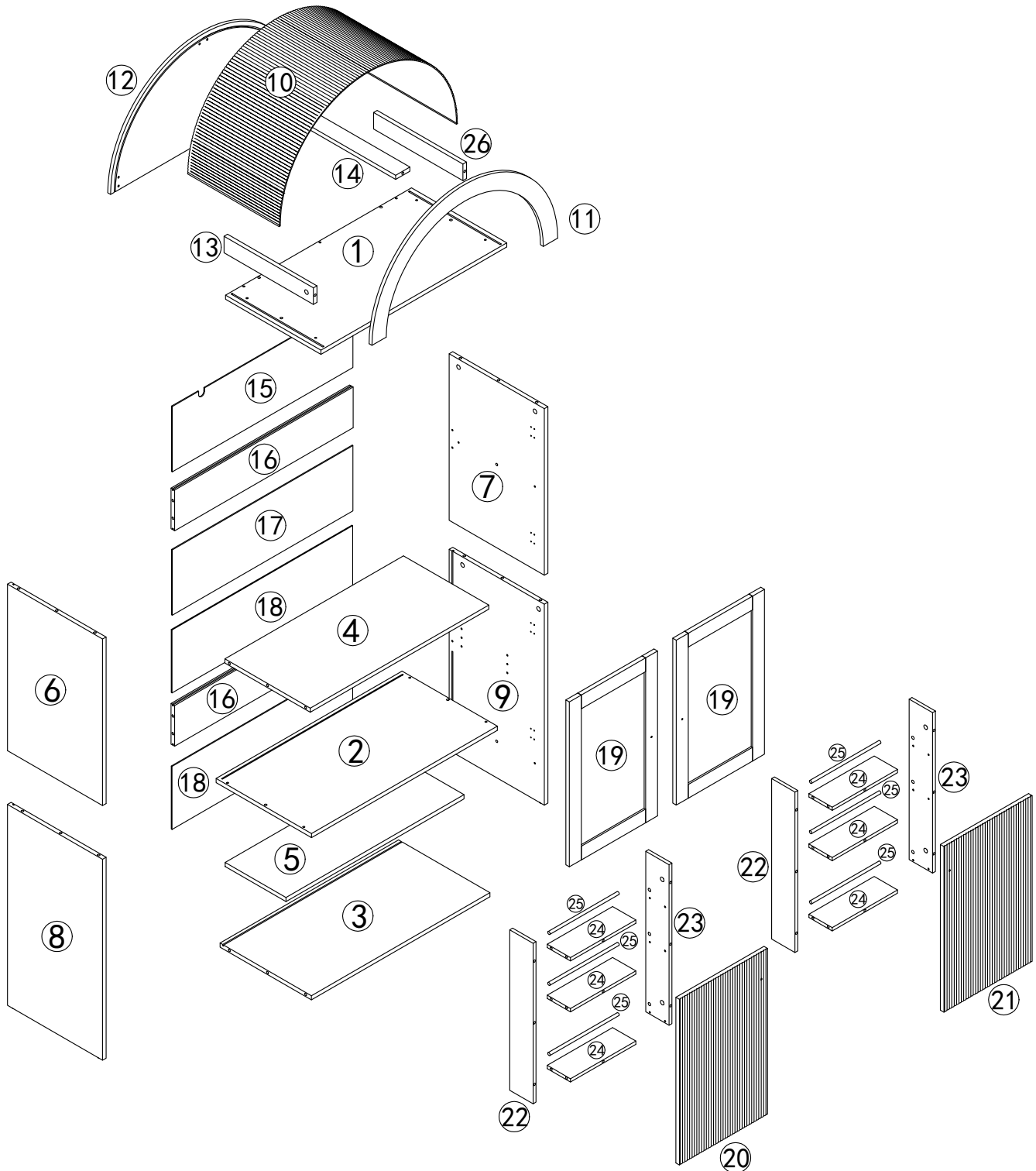
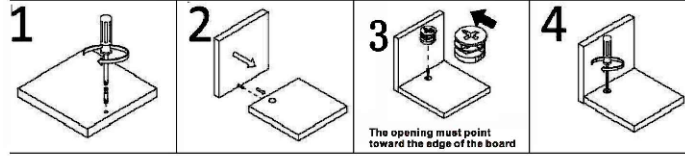


①		②		③		④	
	1PC		1PC		1PC		1PC
⑤		⑥		⑦		⑧	
	1PC		1PC		1PC		1PC
⑨		⑩		⑪		⑫	
	1PC		1PC		1PC		1PC
⑬		⑭		⑮		⑯	
	1PC		1PC		1PC		2PCS
⑰		⑱		⑲		⑳	
	1PC		2PCS		2PCS		1PC
㉑		㉒		㉓		㉔	
	1PC		2PCS		2PCS		6PCS
㉕		㉖					
	6PCS		1PC				

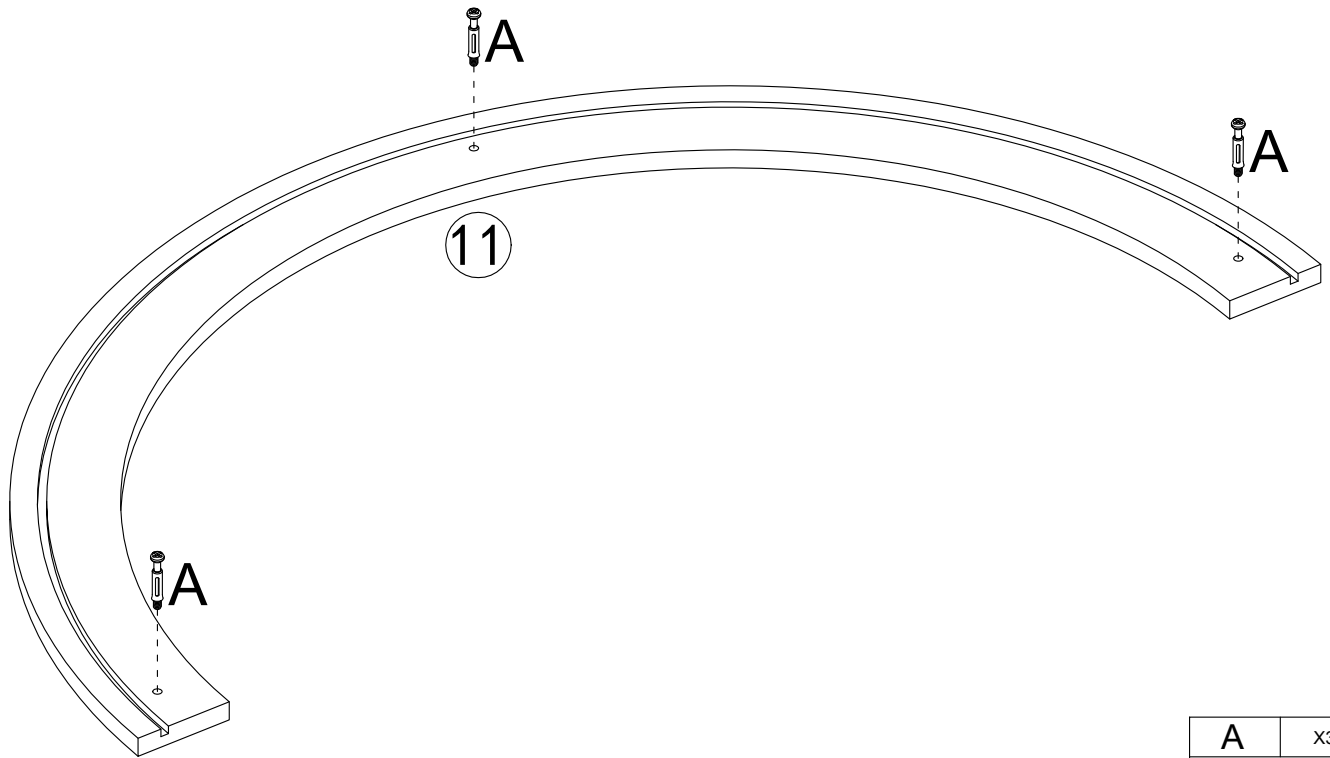
A	X65	B	X65	C	X22	D	X48	E	X1	F	X17	G	X18	H	X4	I	X4
																	
M6x35mm		Ø15x9mm		M3x16mm		M3.5x14mm		4mm		M5x40mm		Ø8x30mm		M4x20mm			
J	X4	K	X2	M	X2	N	X2	O	X8	P	X2	Q	X3	S	X16	T	X1
																	
Ø5x17mm		M4x35mm				Ø6x30mm				M4x12mm							


Cam Lock Fastening System

Insert the cam bolt into the hole first, then insert the cam lock and lock it.

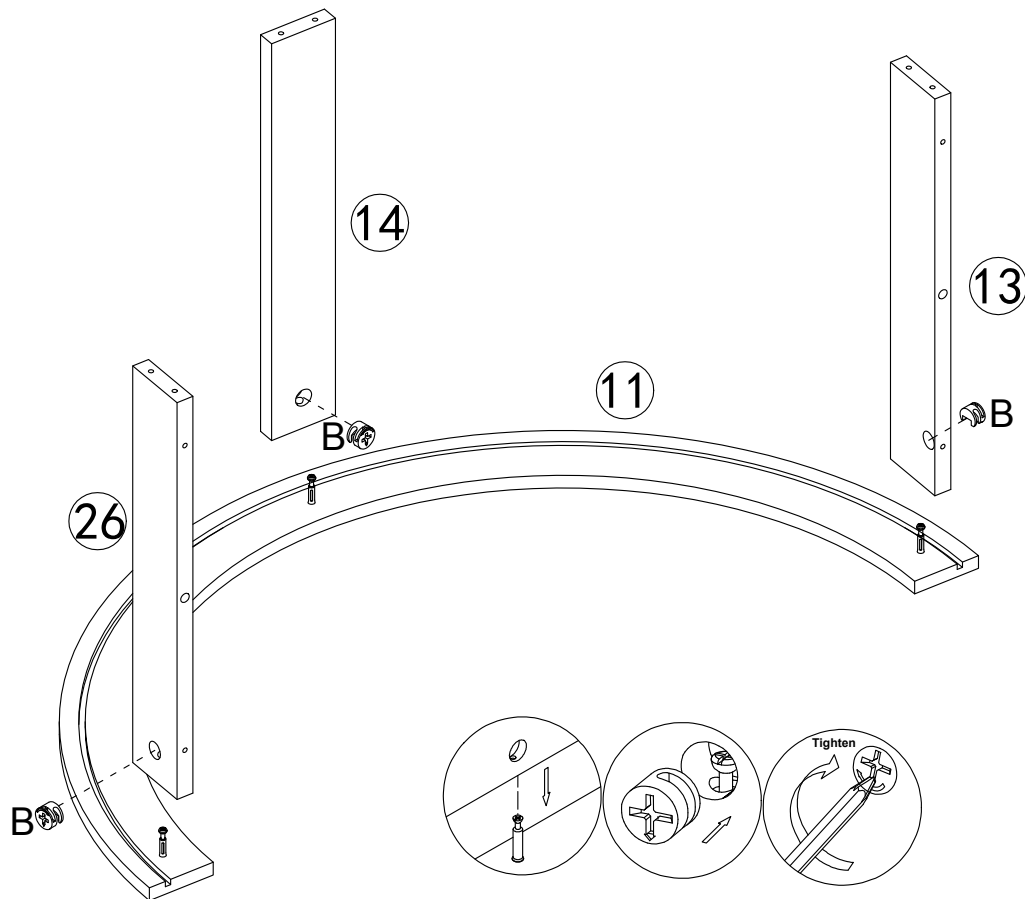



1



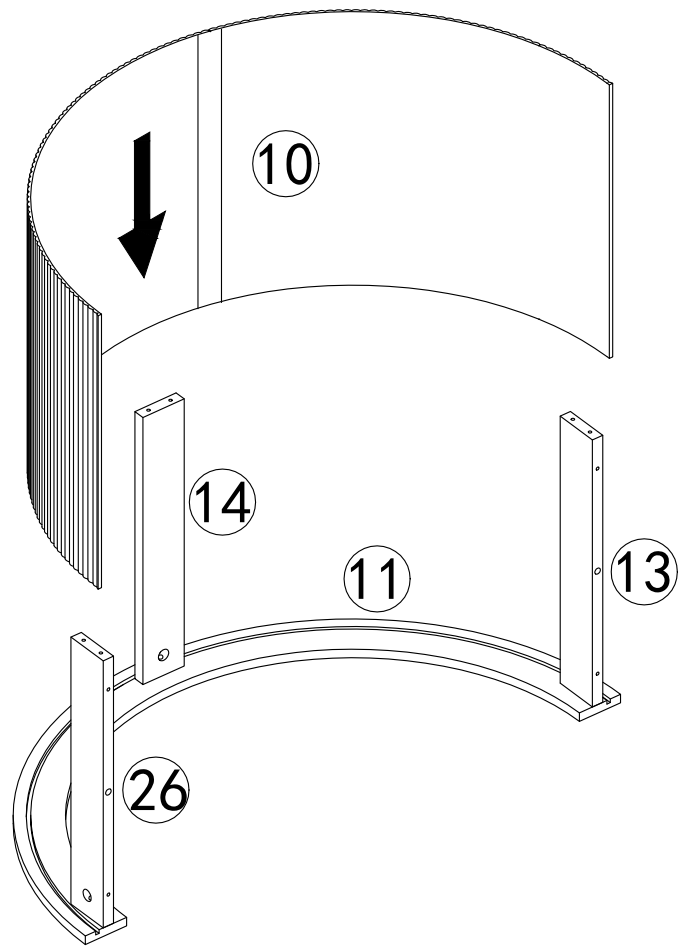
A	X3
	
M6x35mm	

2

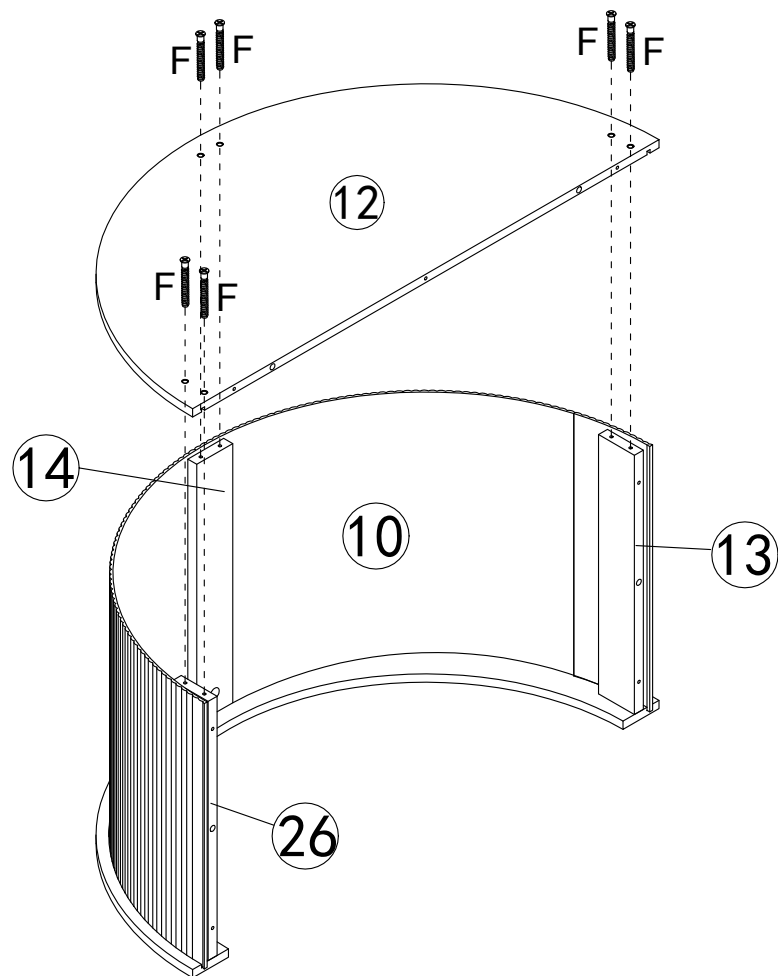


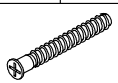
B	X3
	
Ø15x9mm	

3

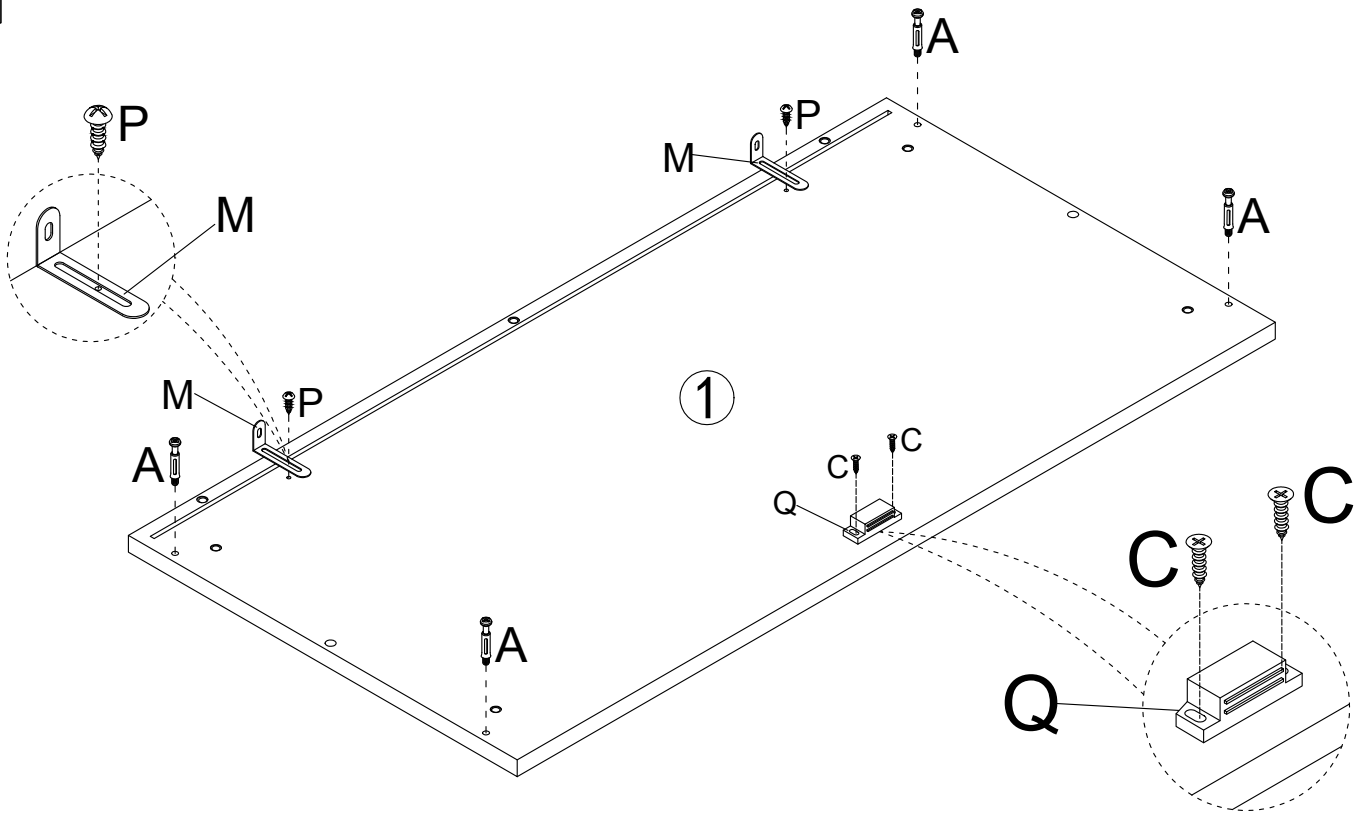



4




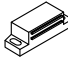
F	x6
	
M5x40mm	

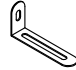
5




A	X4
	
M6x35mm	

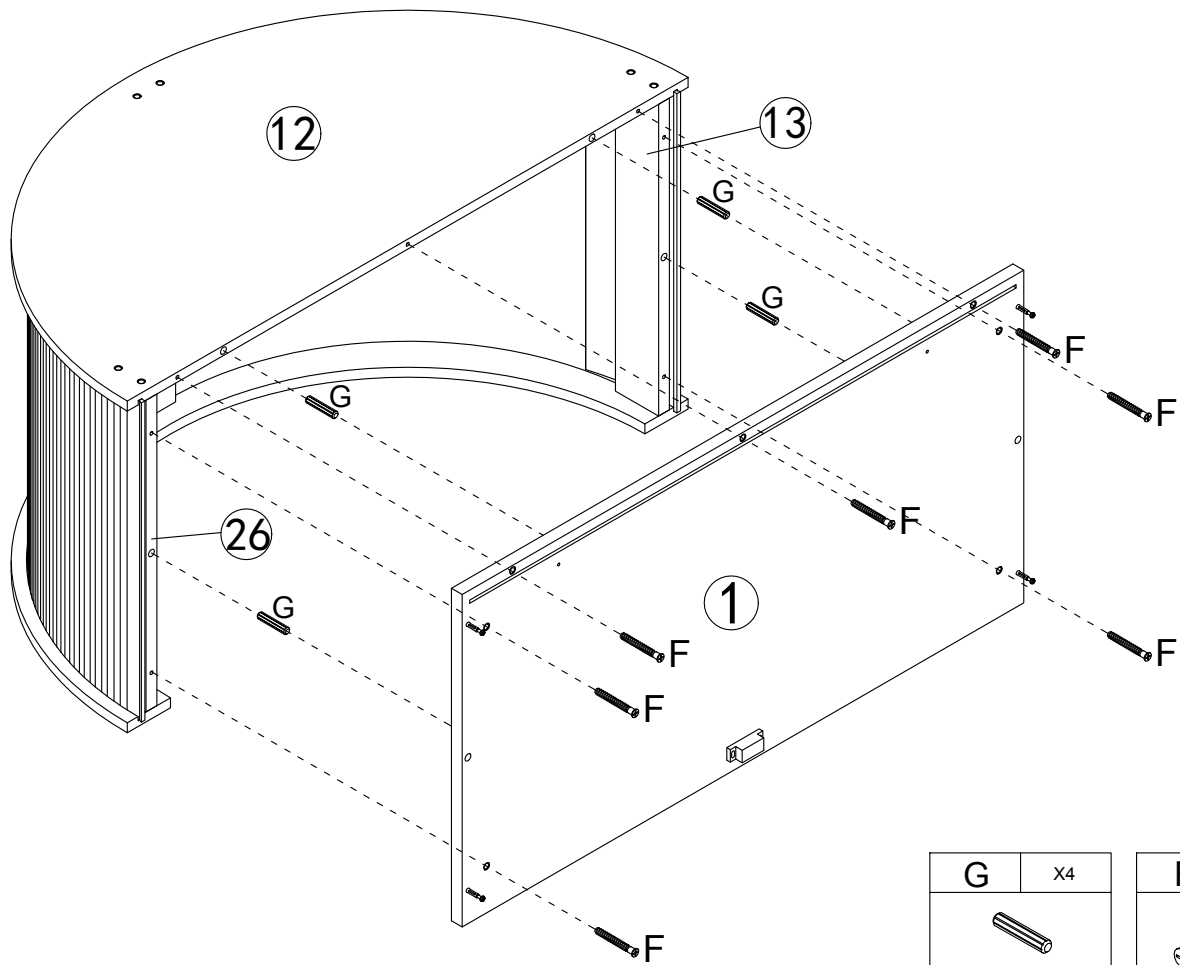
C	X2
	
M3x16mm	


Q	X1
	


M	X2
	

P	X2
	
M4x14mm	

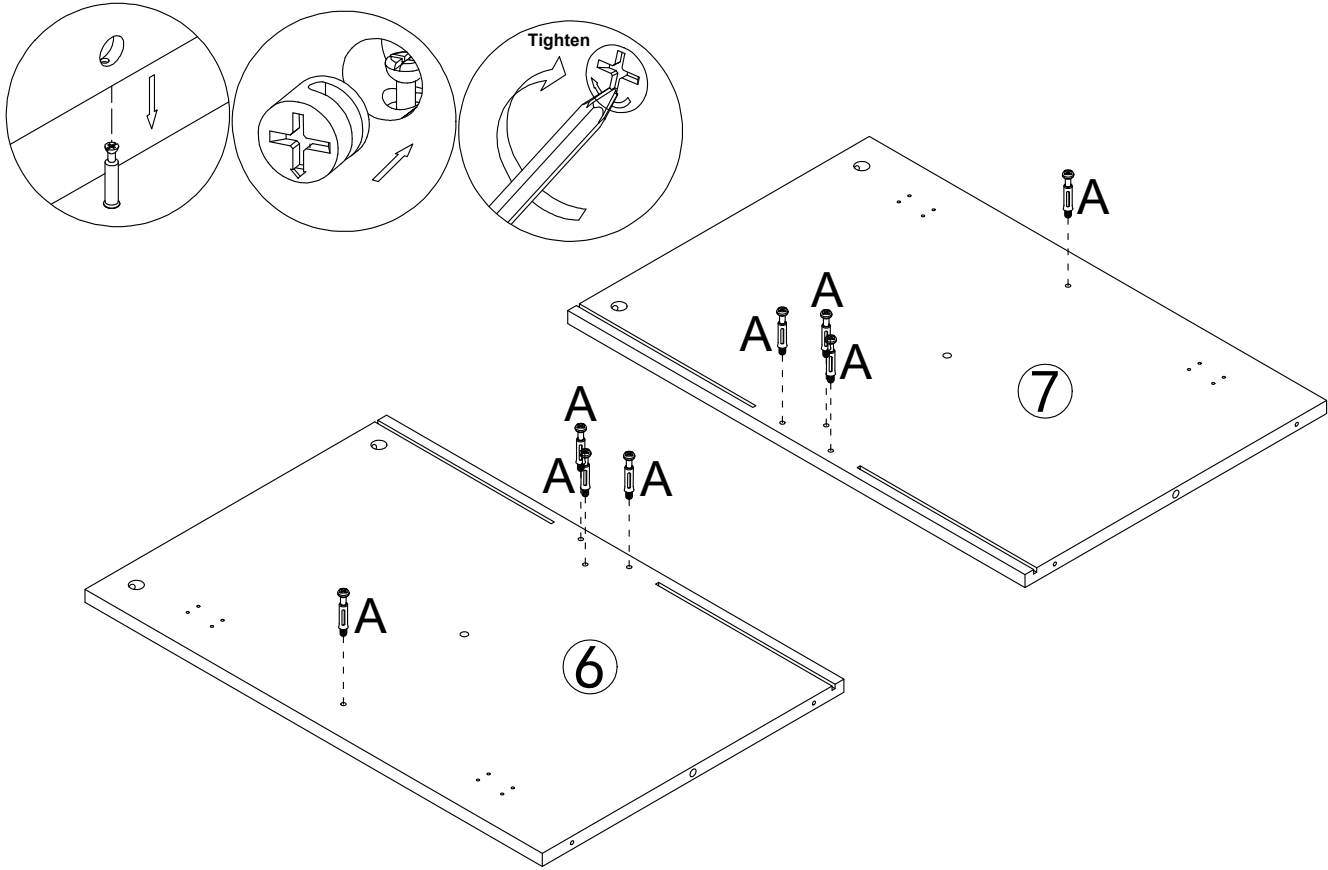
6




G	X4
	
Ø8x30mm	

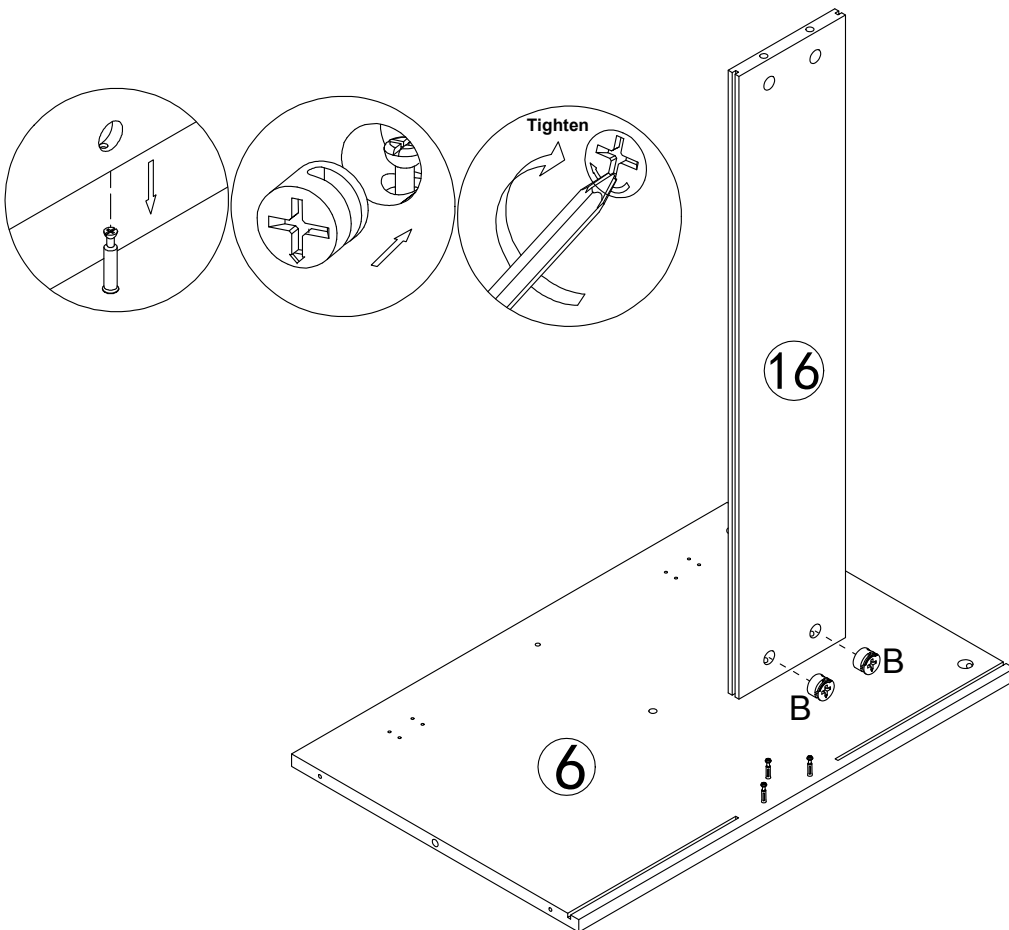
F	X7
	
M5x40mm	


7



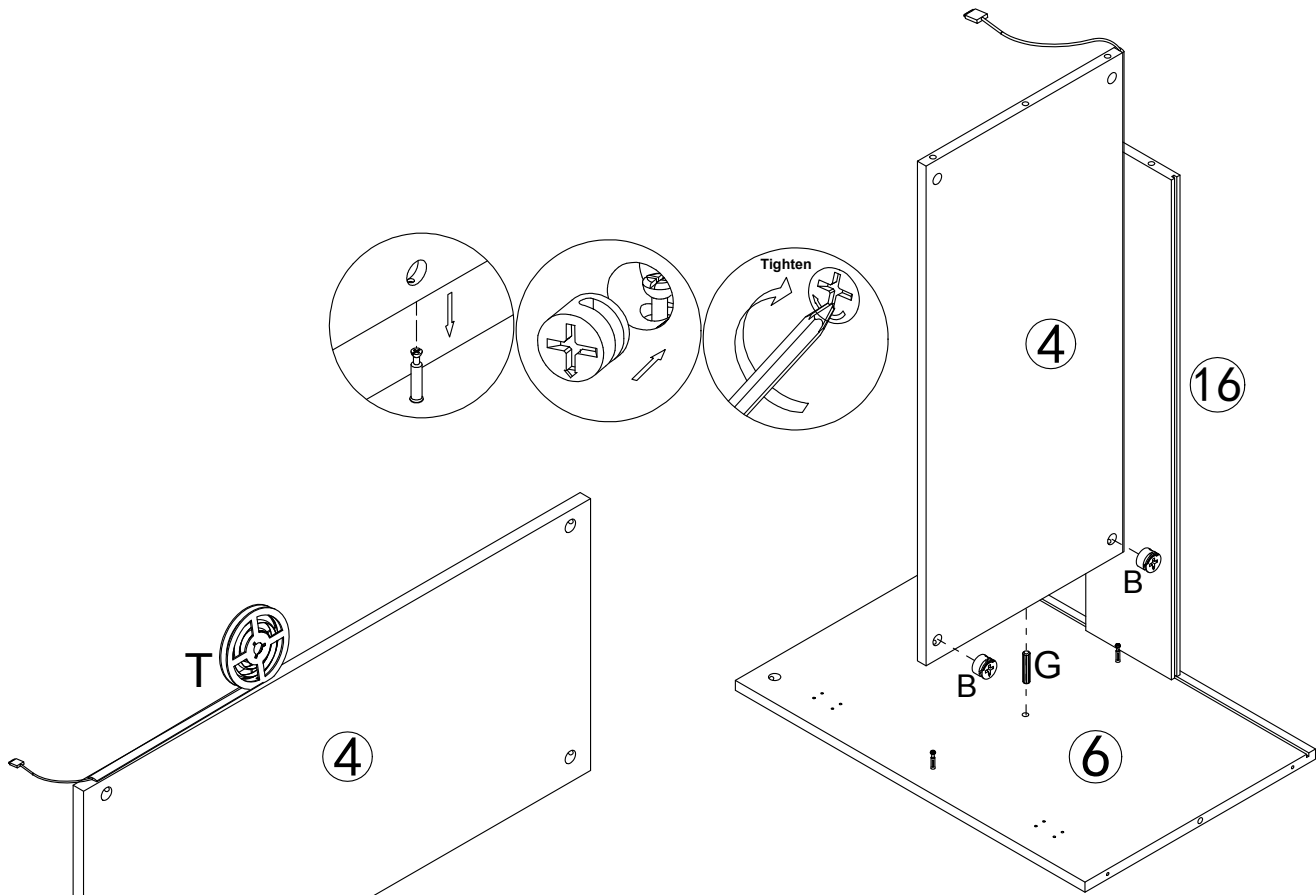
A	X8
	
M6x35mm	

8



B	X2
	
Ø15x9mm	

9

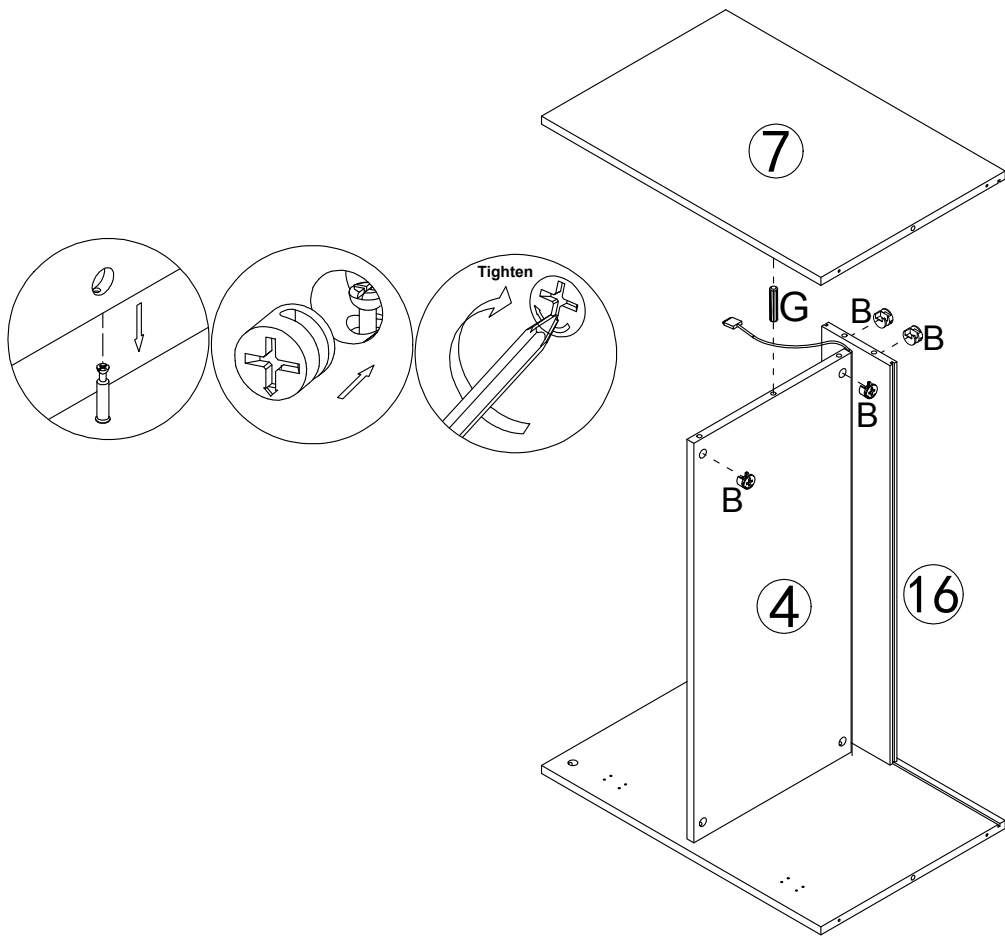


T	X1

B	X2
Ø15x9mm	

G	X1
Ø8x30mm	

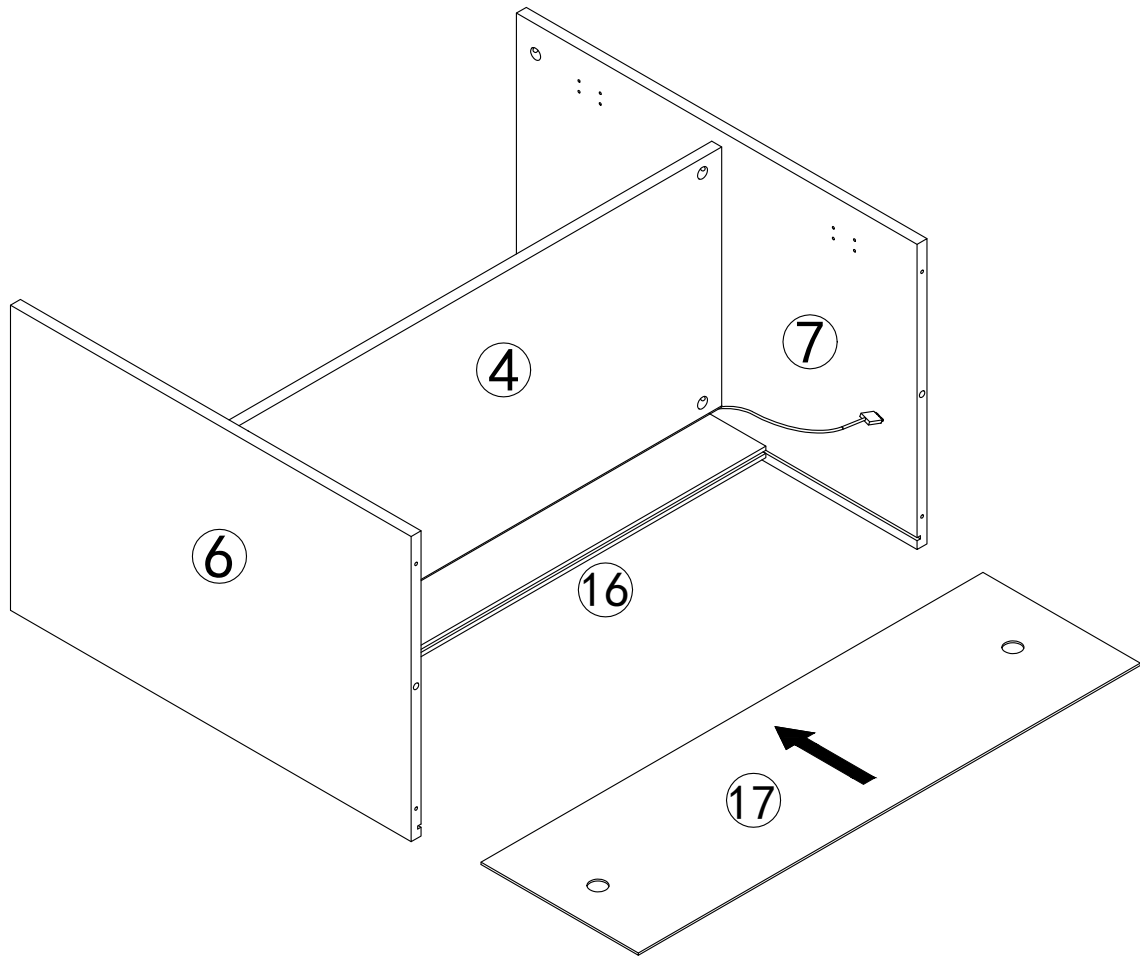
10



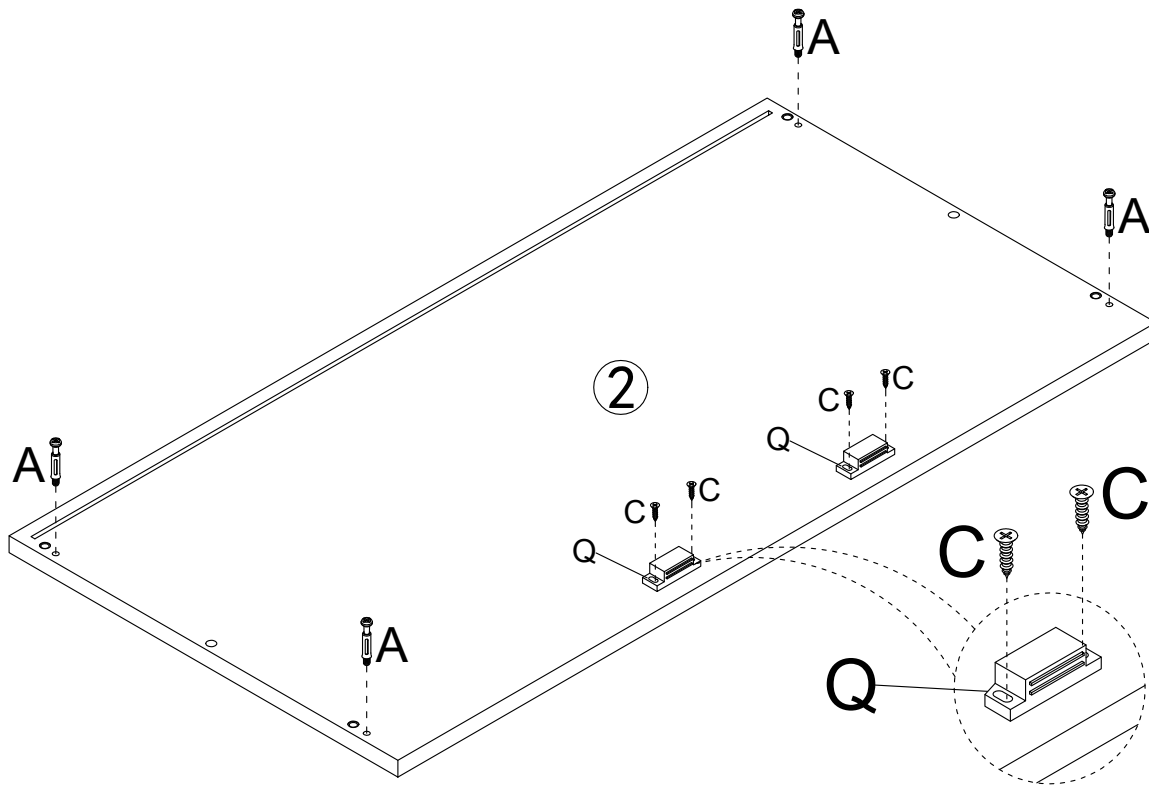
B	X4
Ø15x9mm	


G	X1
Ø8x30mm	


11

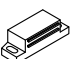


12

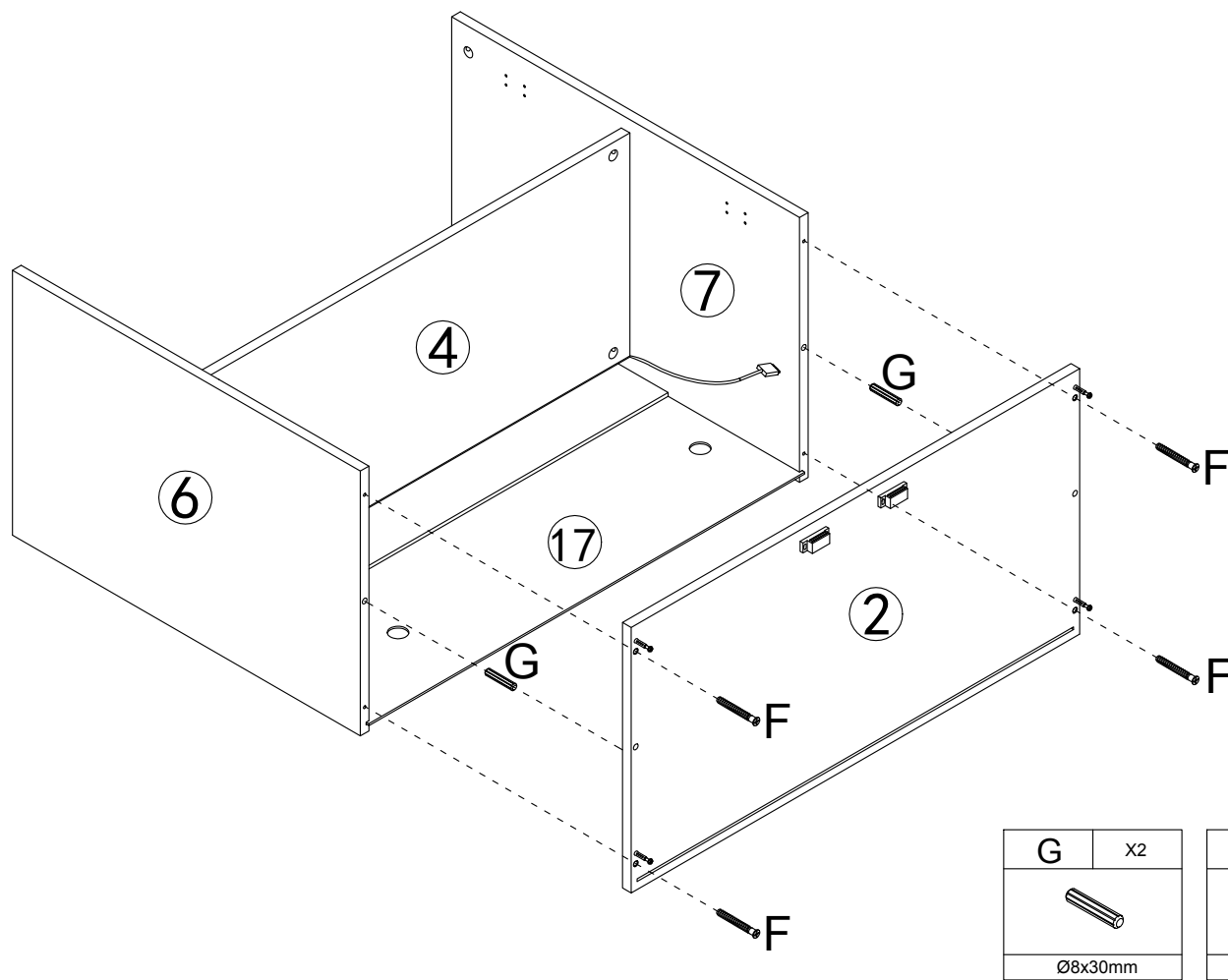


A	x4
	
M6x35mm	

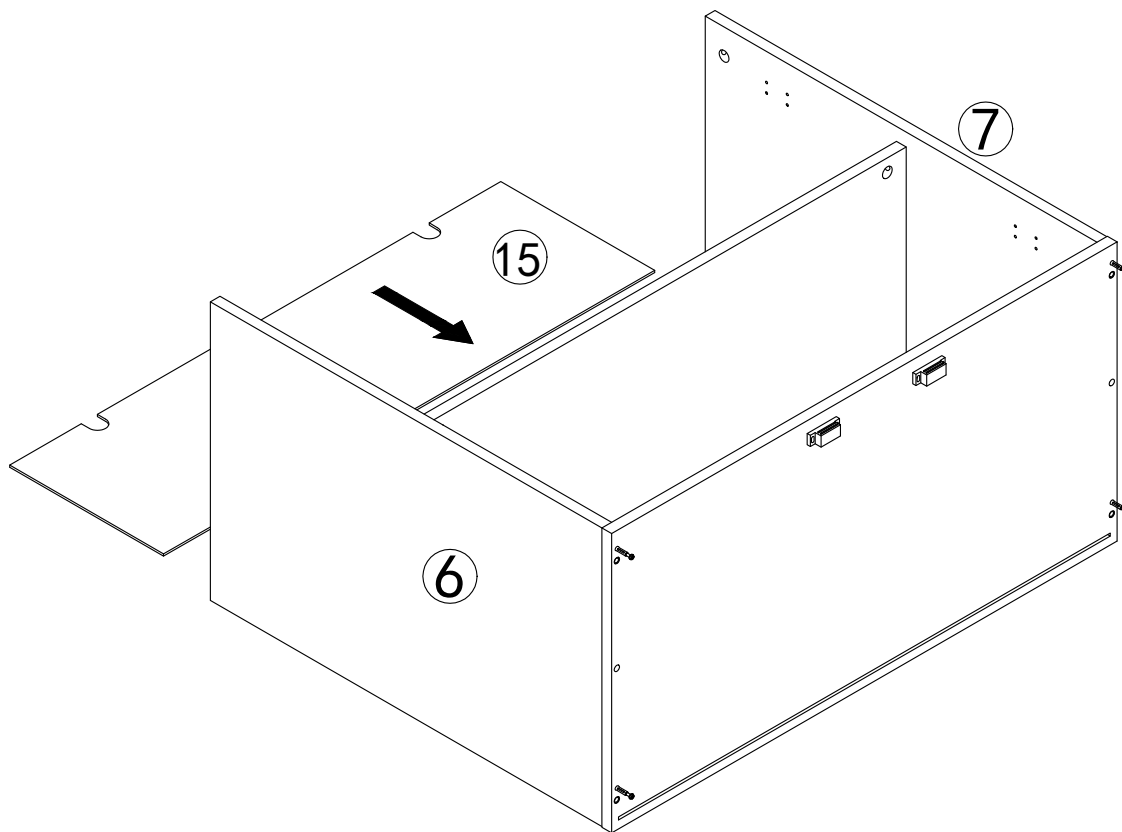
C	x4
	
M3x16mm	

Q	x2
	

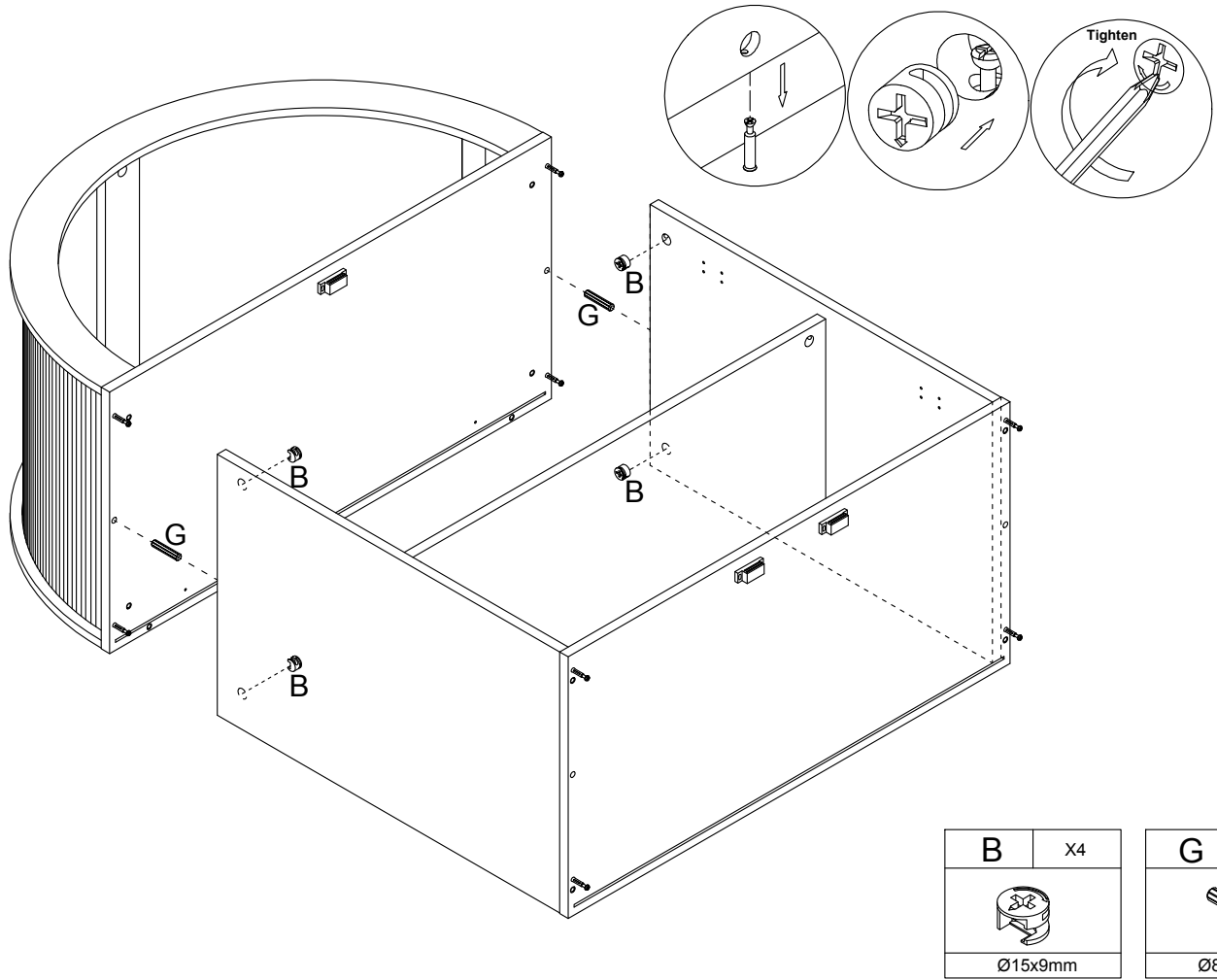
13



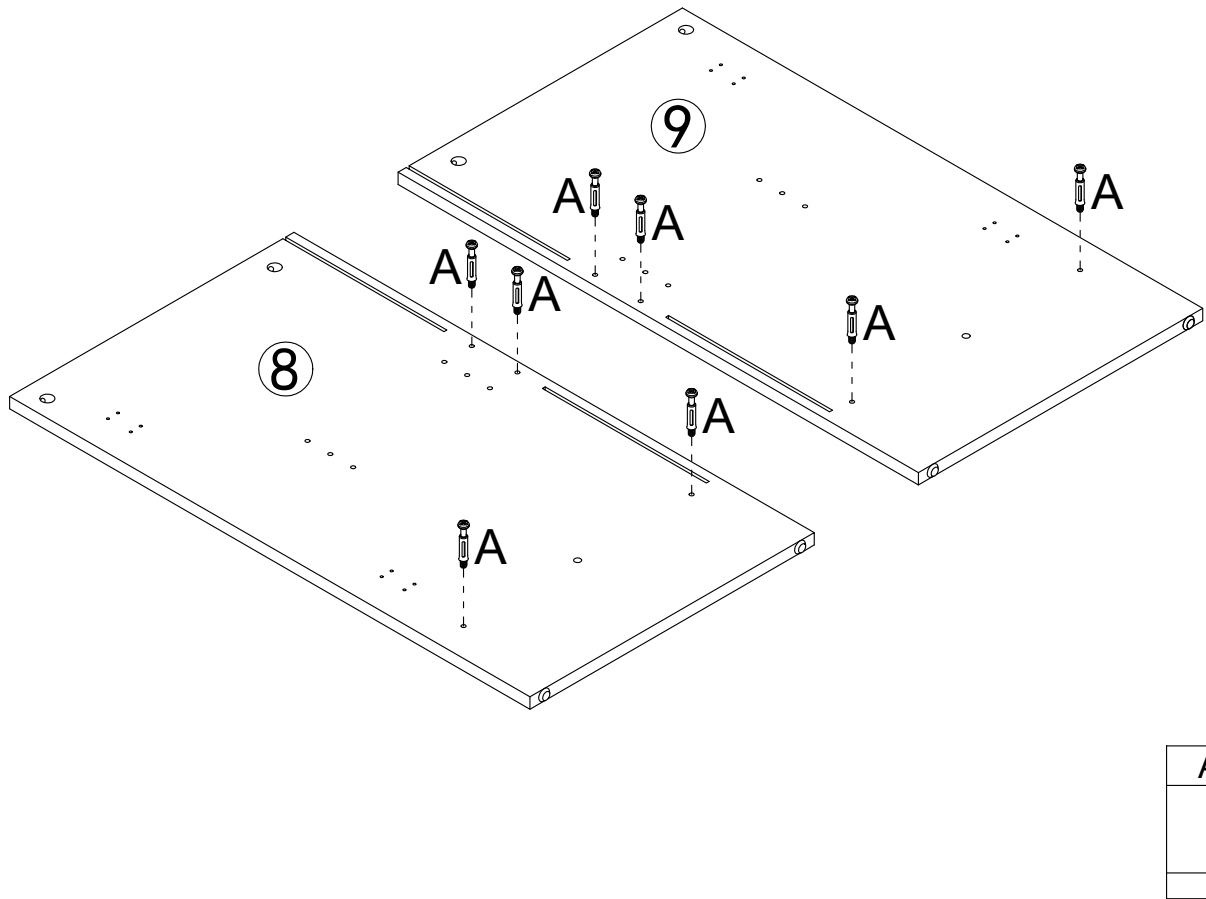
14



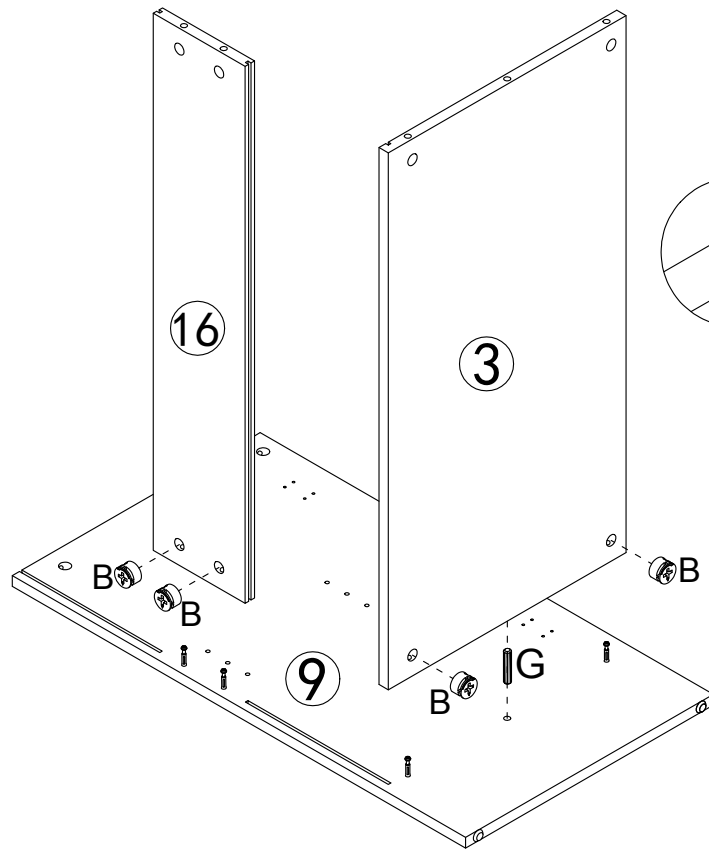
15





16



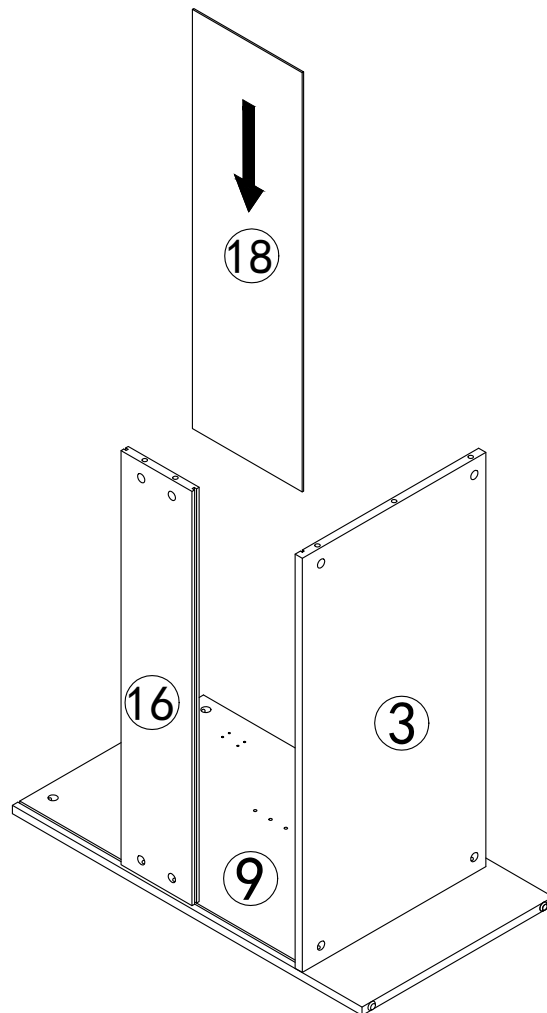
17



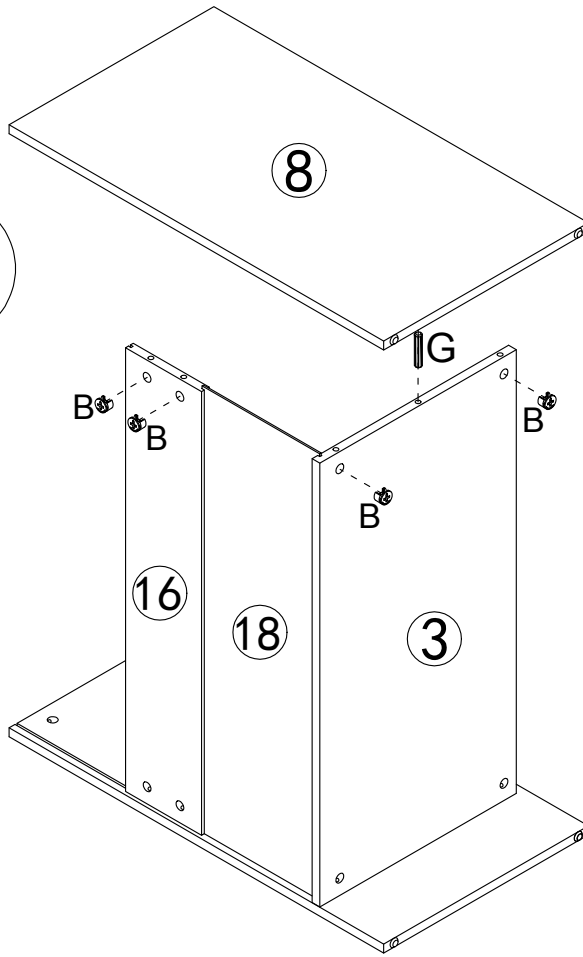
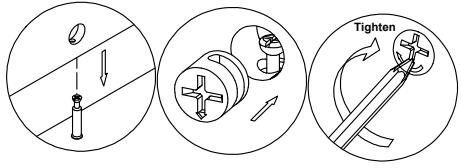
B	X4
	
Ø15x9mm	


G	X1
	
Ø8x30mm	


18



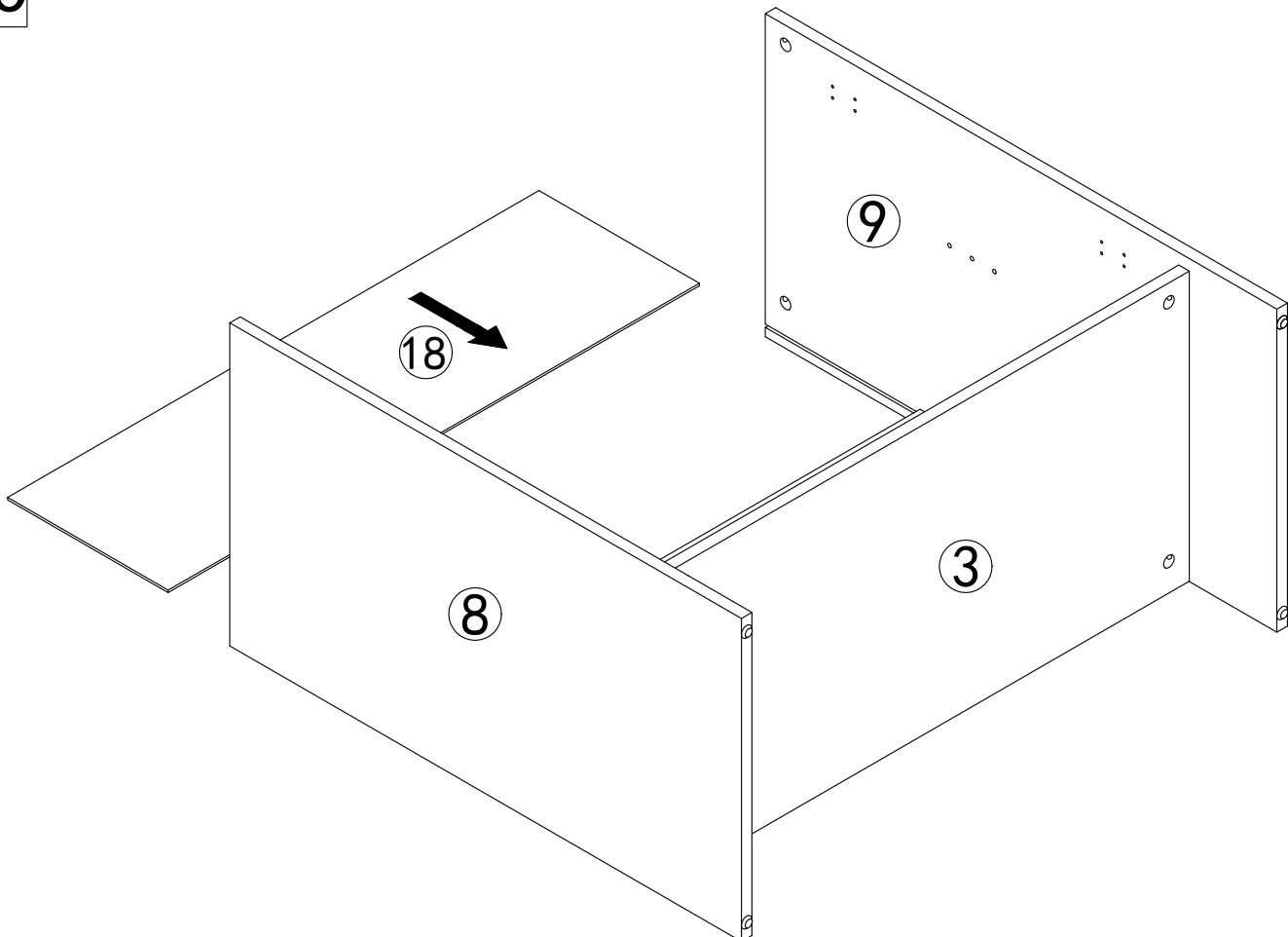
19



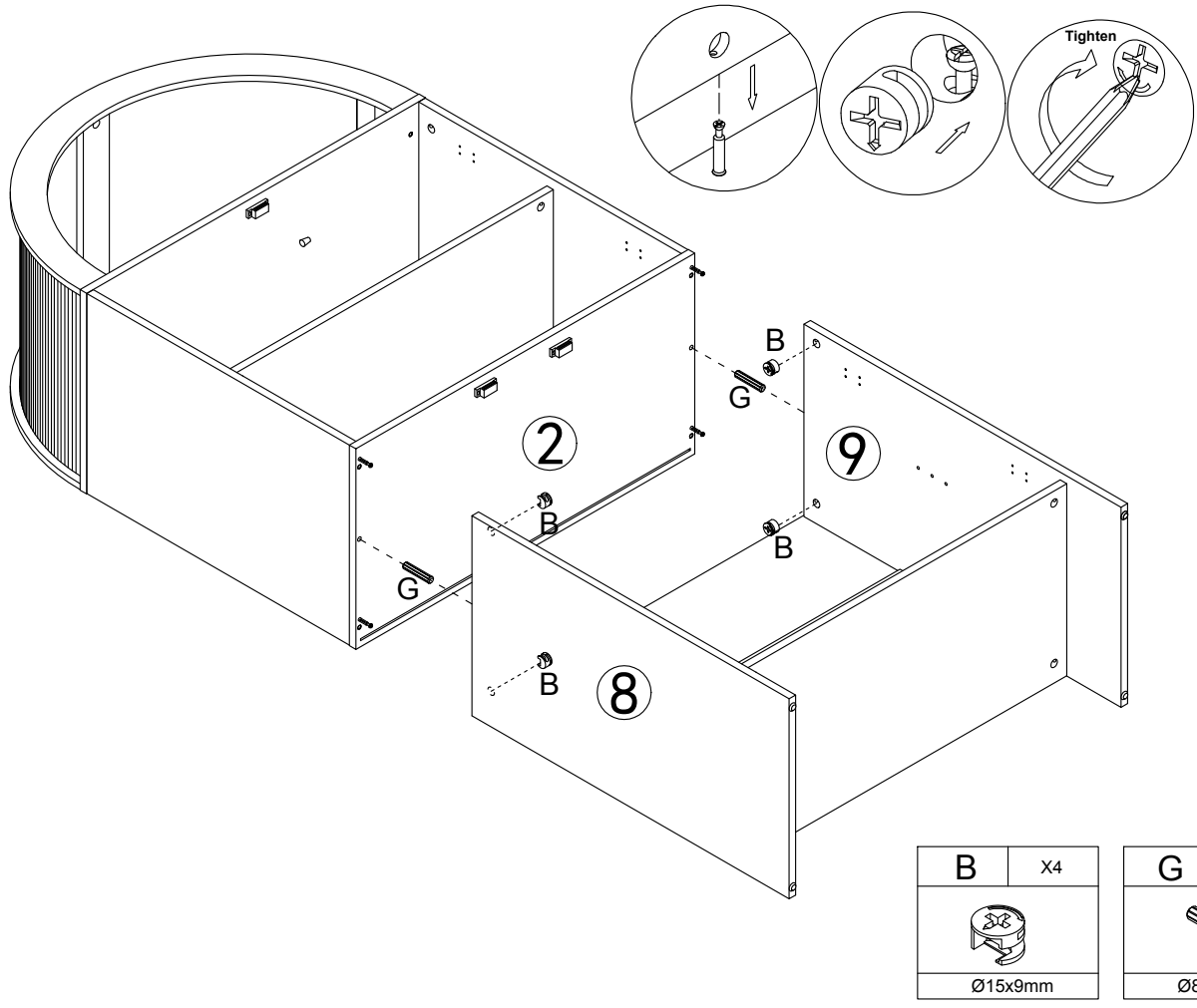
B	X4
	
Ø15x9mm	



G	X1
	
Ø8x30mm	

20

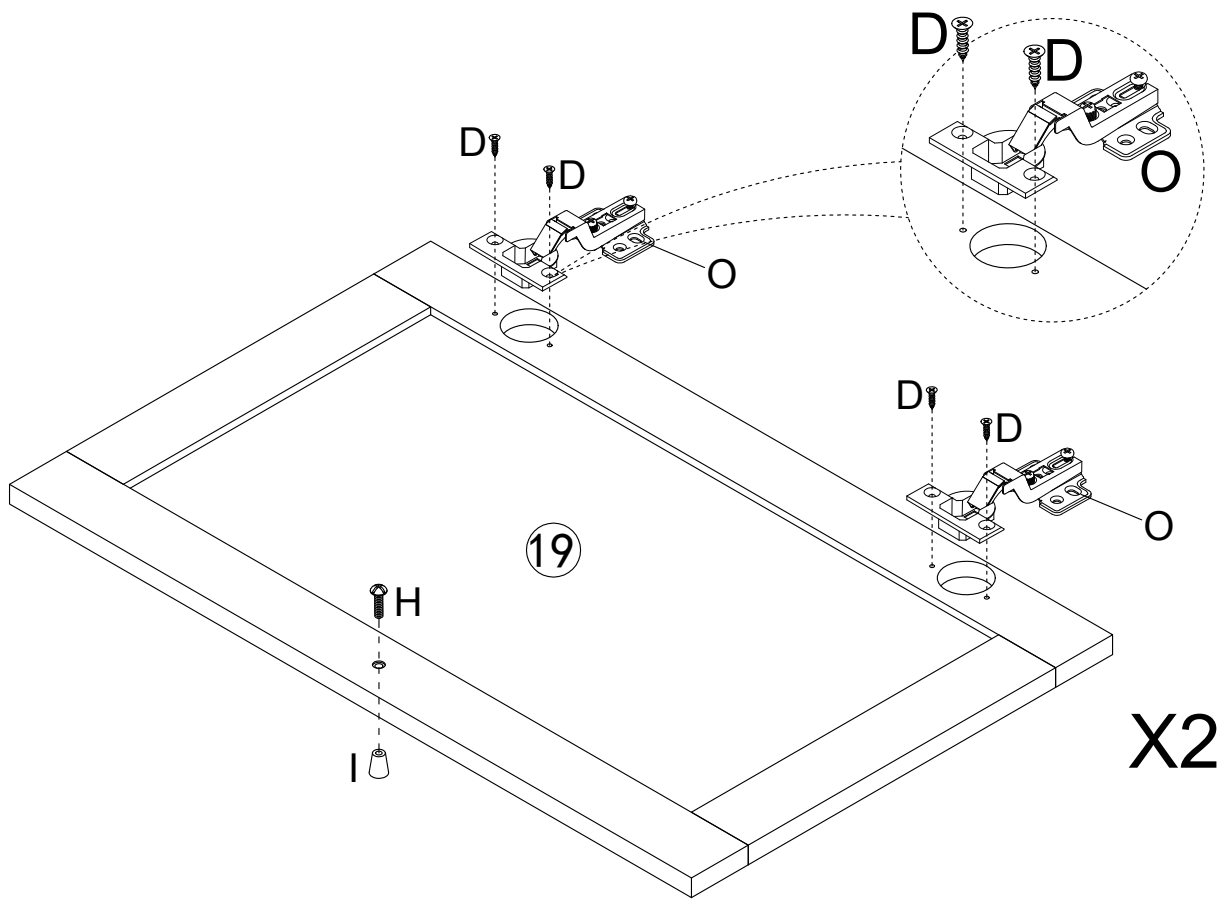






21



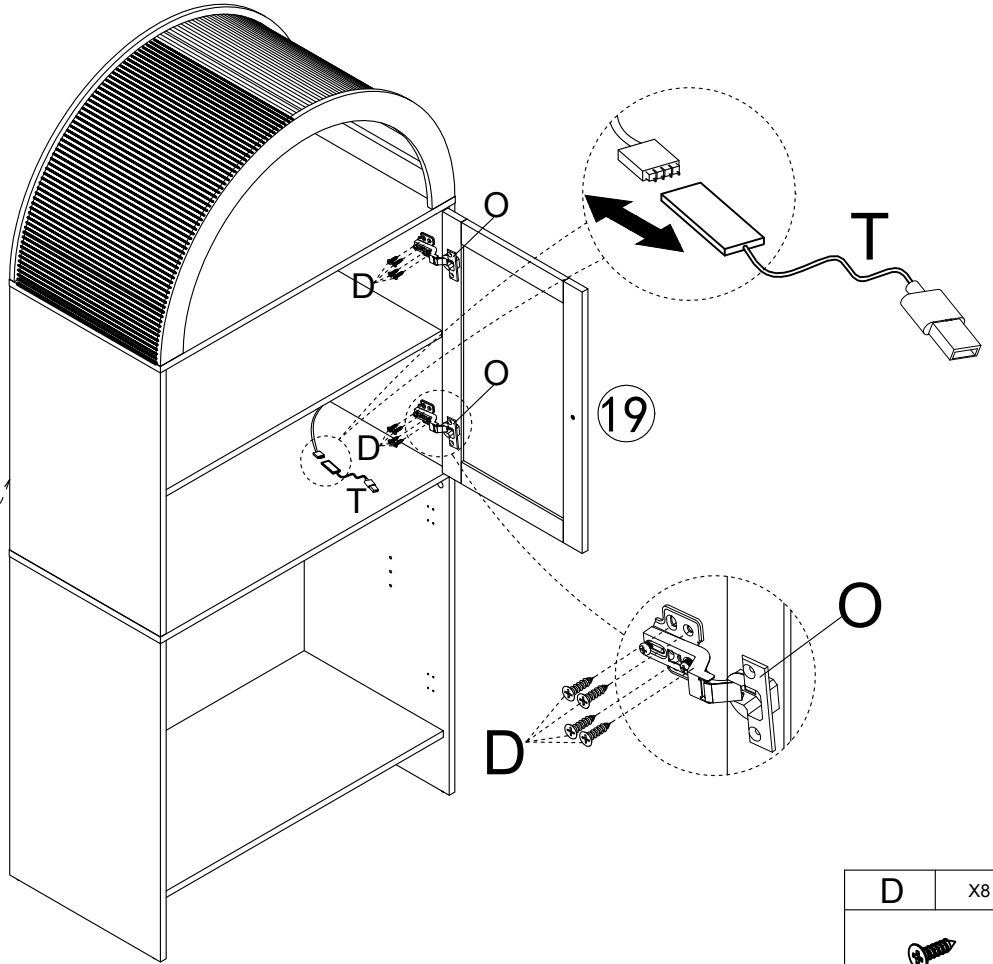
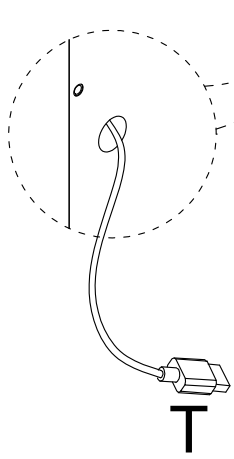
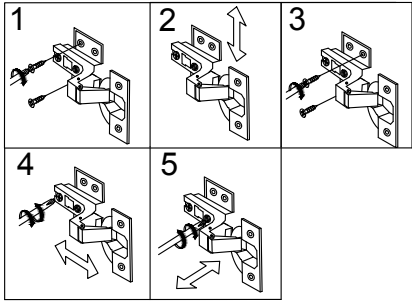
B	X4	G	X2
			
Ø15x9mm		Ø8x30mm	


22



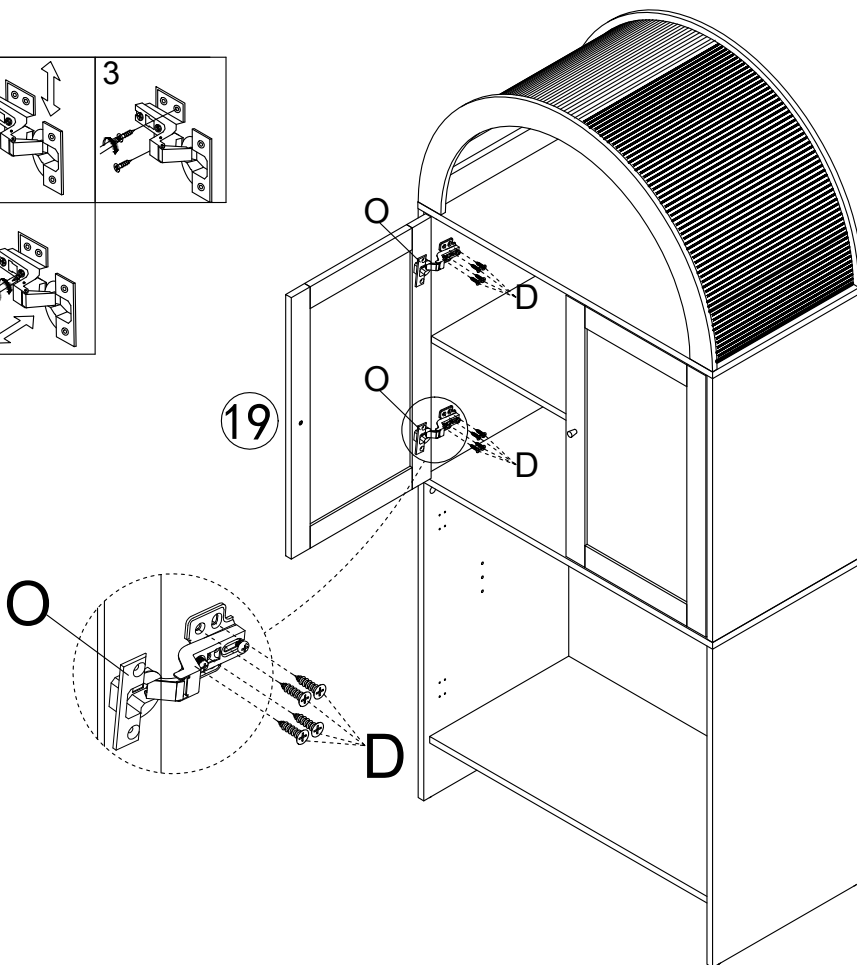
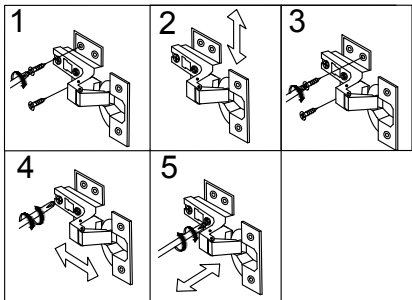
O	X4	D	X8	I	X2	H	X2
							
		M3.5x14mm				M4x20mm	


23



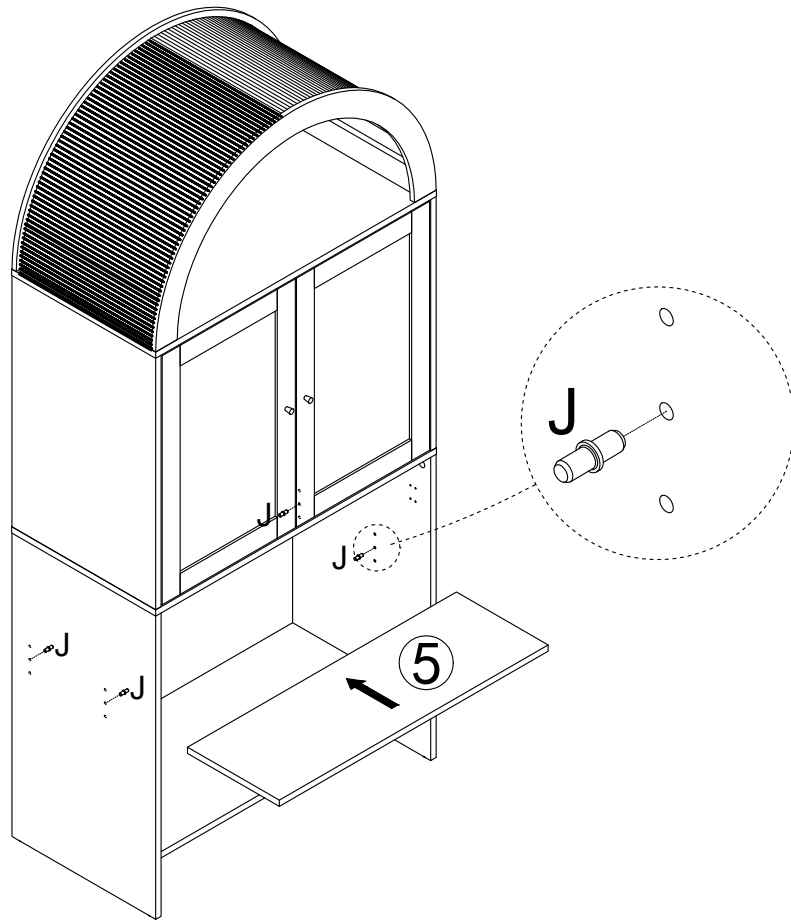
D	x8
	
M3.5x14mm	


24



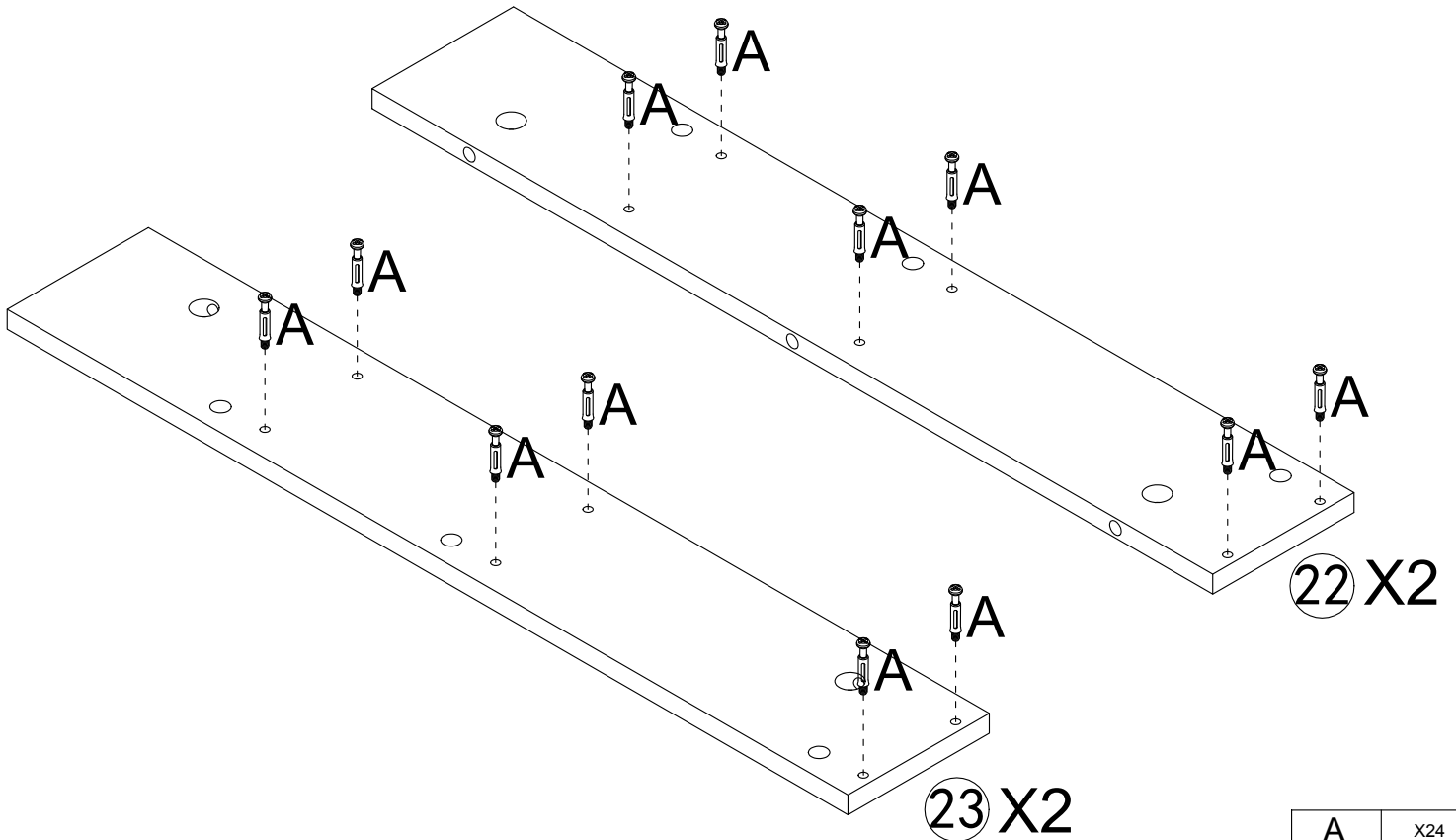
D	x8
	
M3.5x14mm	


25



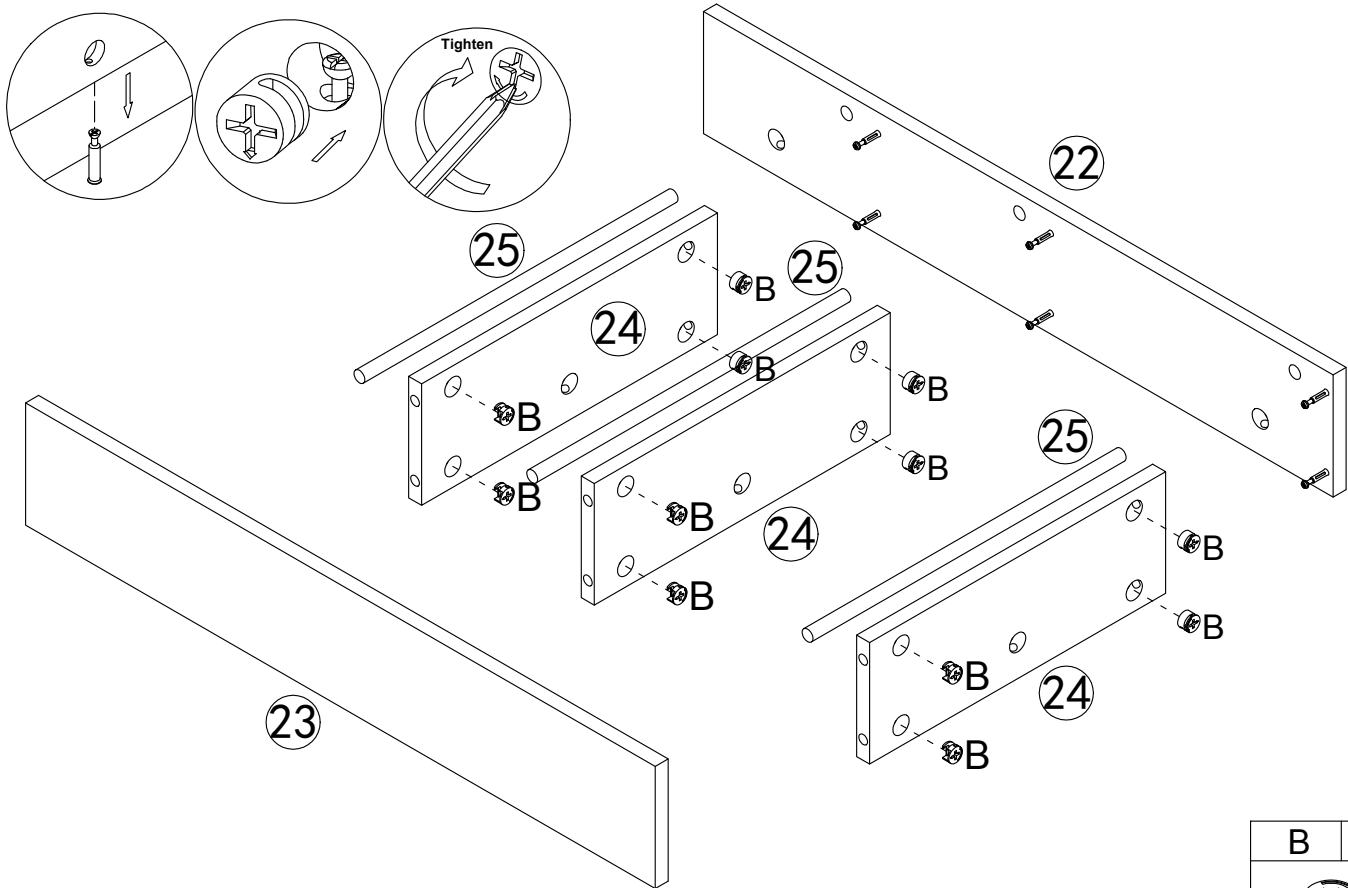
J	X4
	
Ø5x17mm	


26



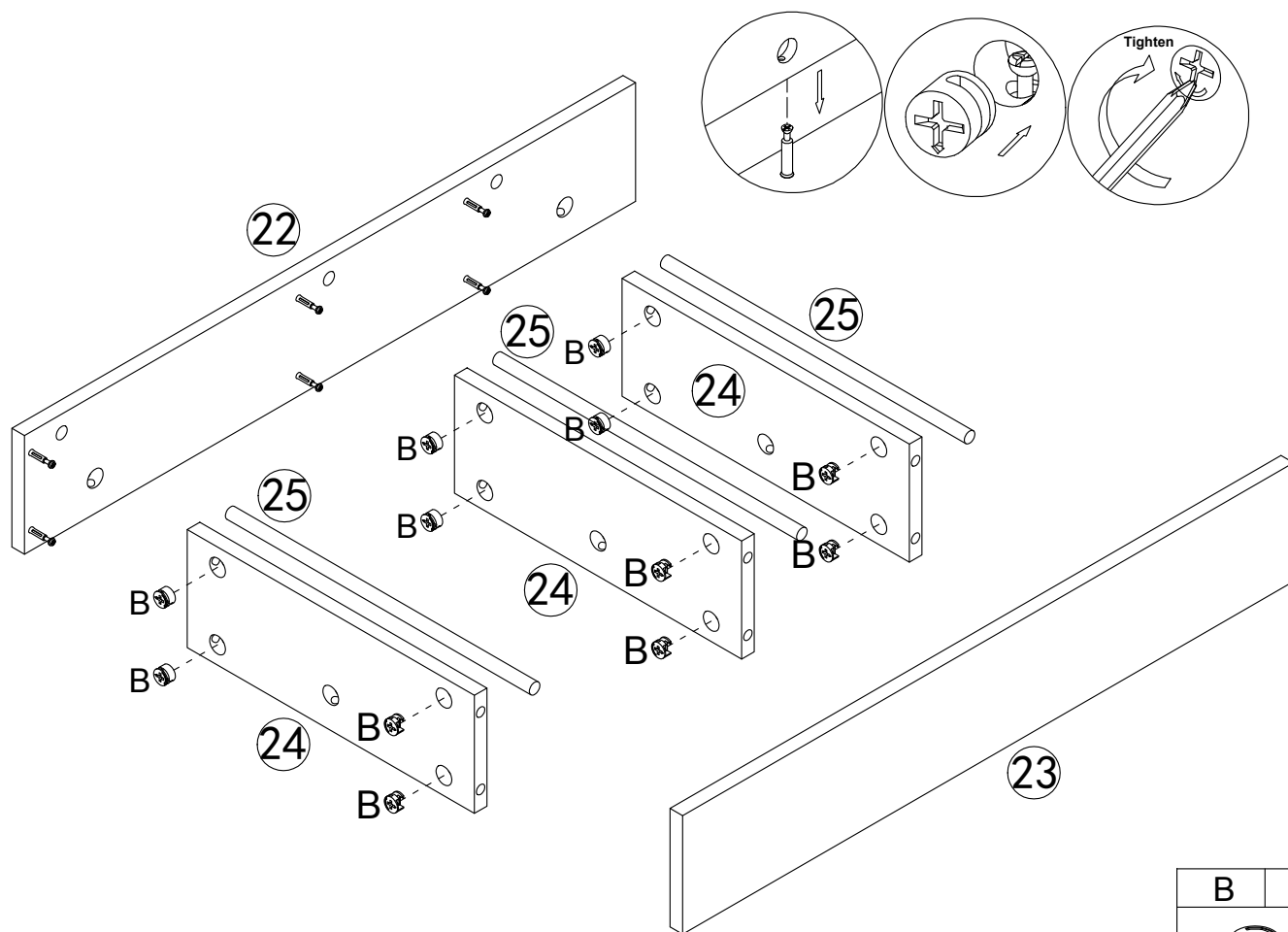
A	X24
	
M6x35mm	


27

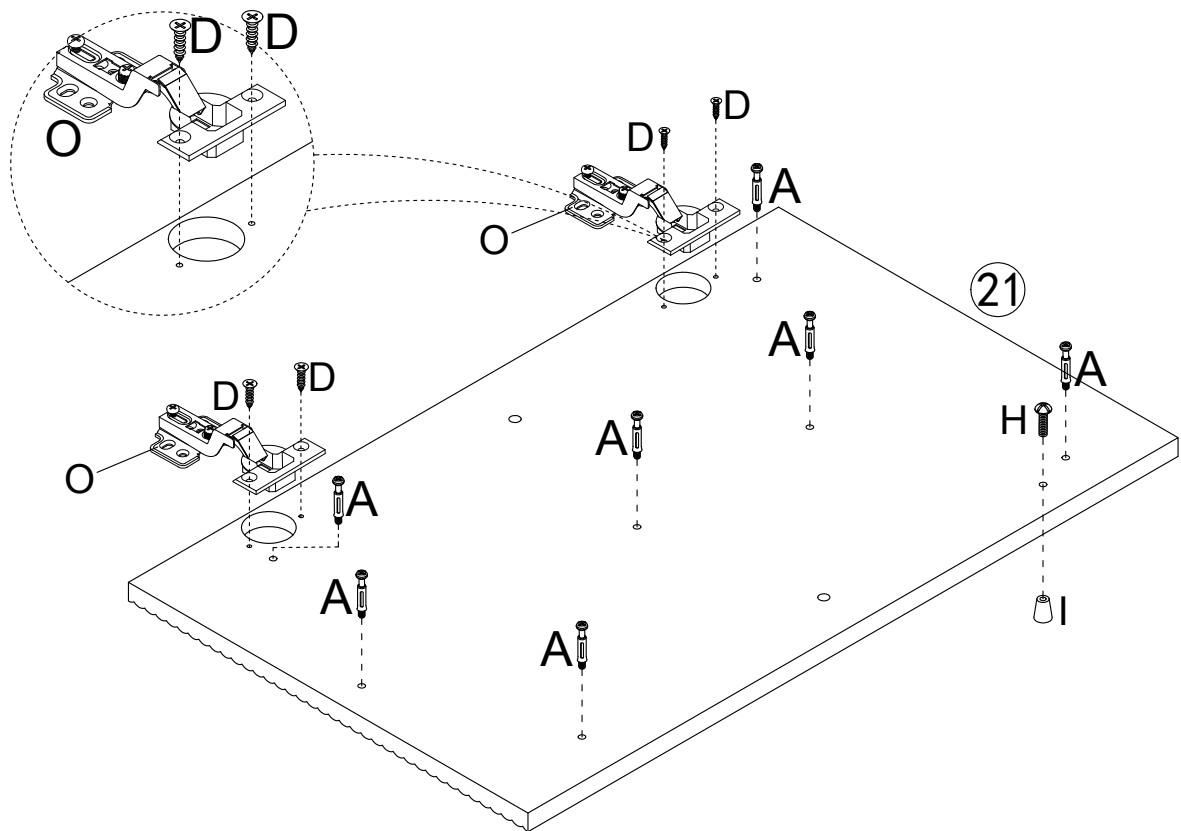
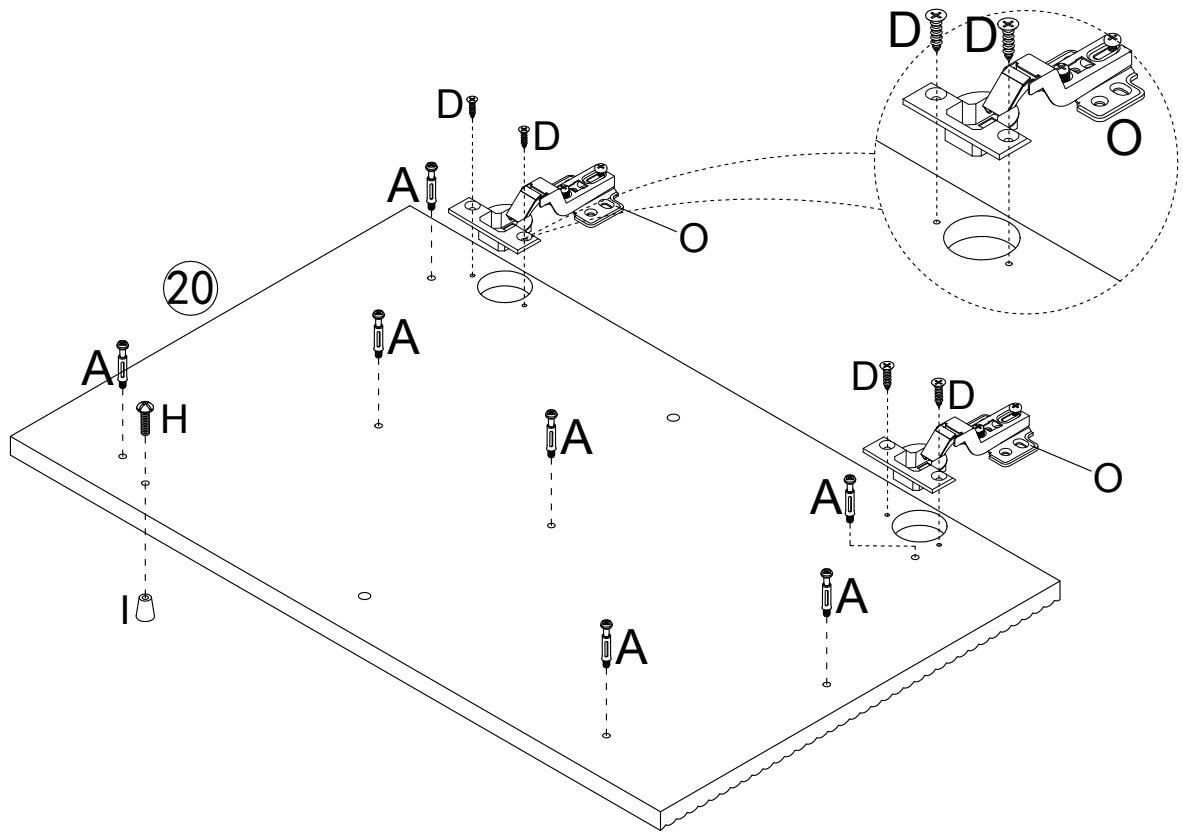



B	X12
	
Ø15x9mm	


28





B	X12
	
Ø15x9mm	




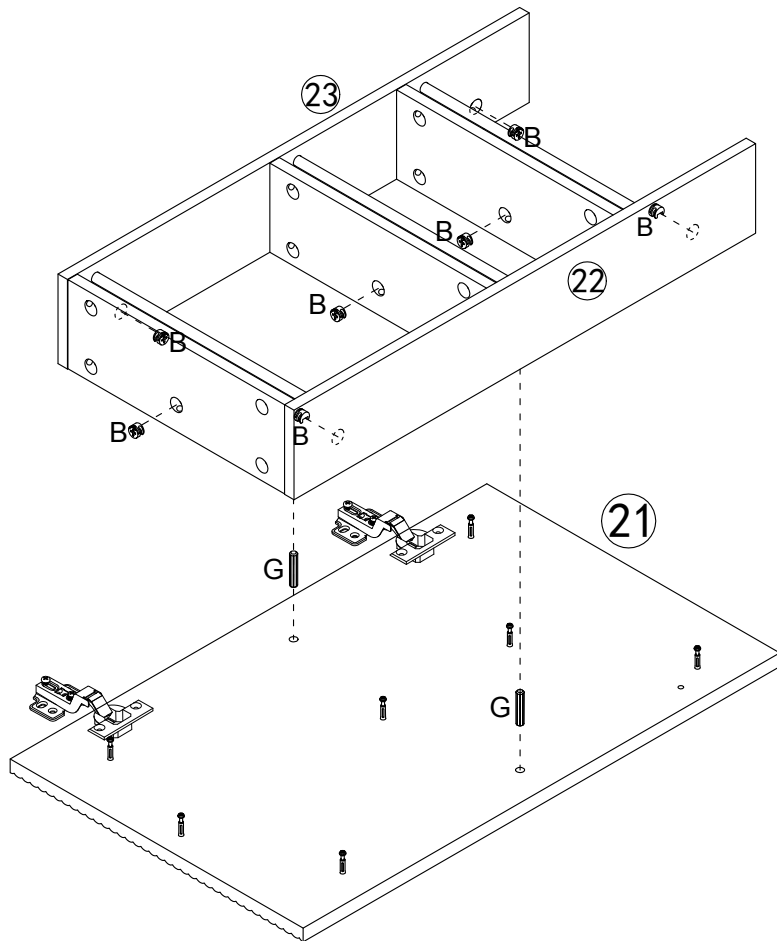
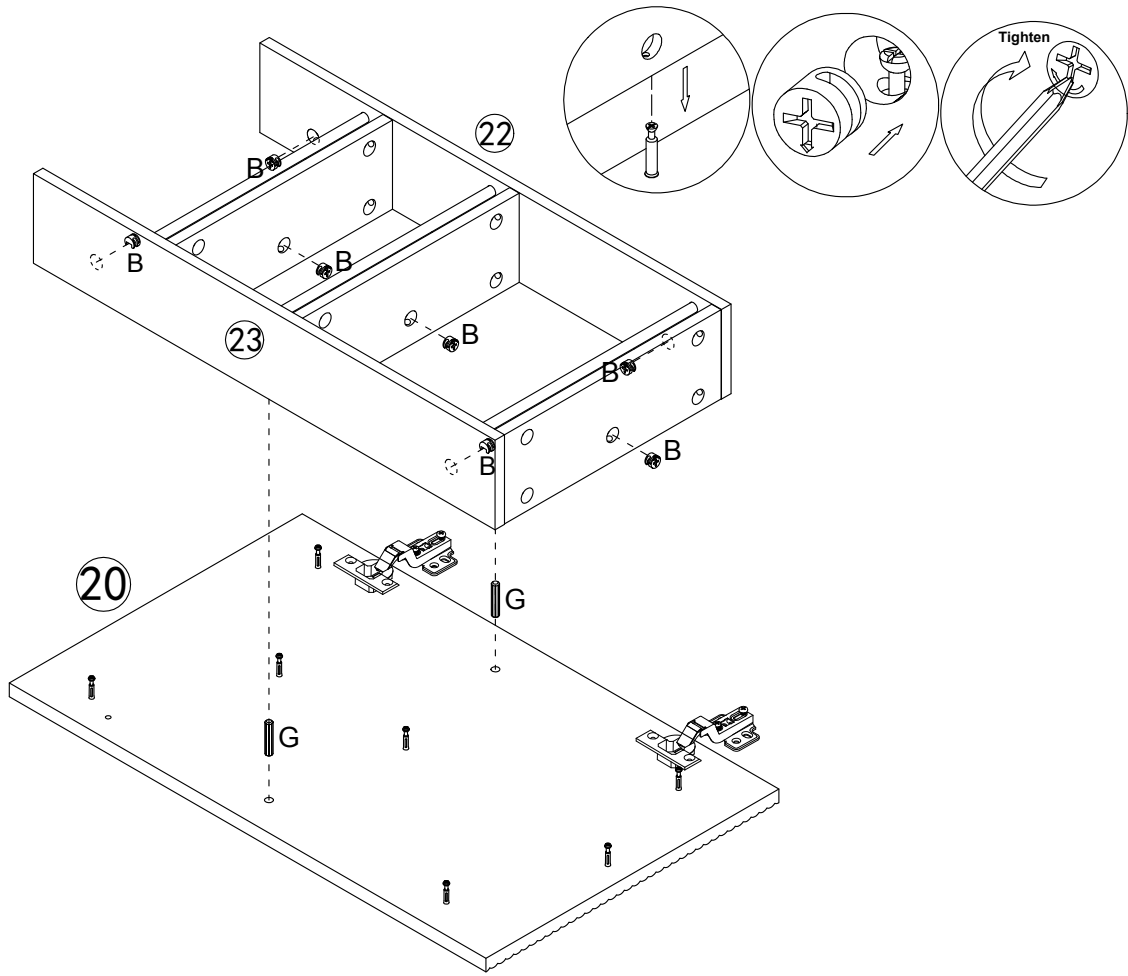
A	X14
	
M6x35mm	


O	X4
	

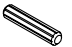
D	X8
	
M3.5x14mm	

I	X2
	

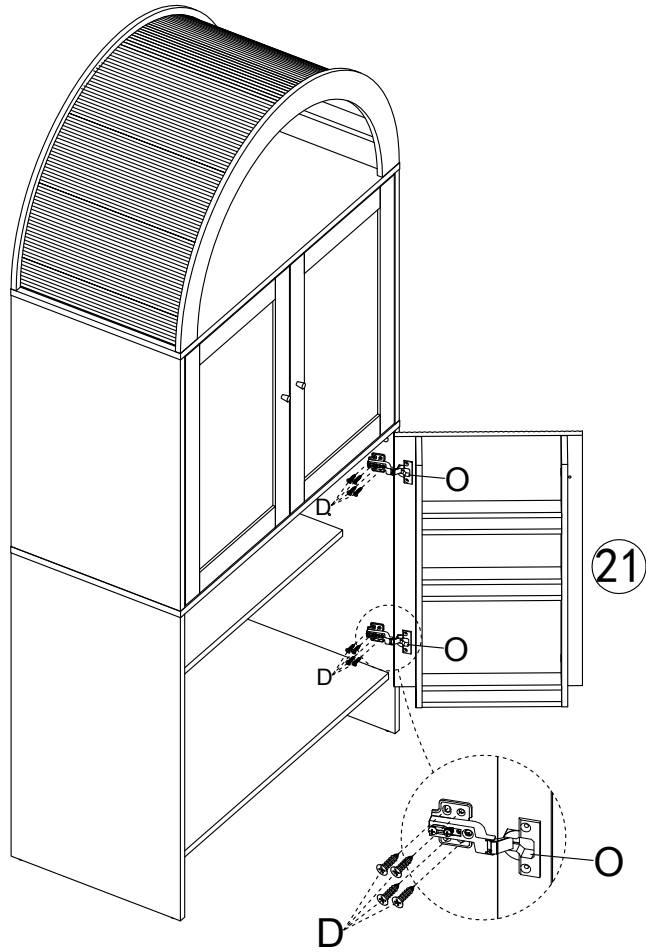
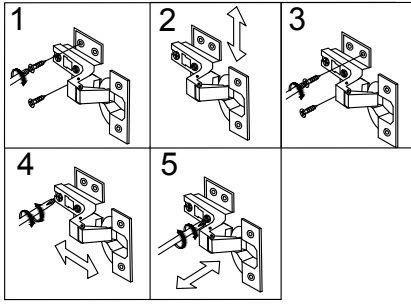
H	X2
	
M4x20mm	




B	X14
	
Ø15x9mm	

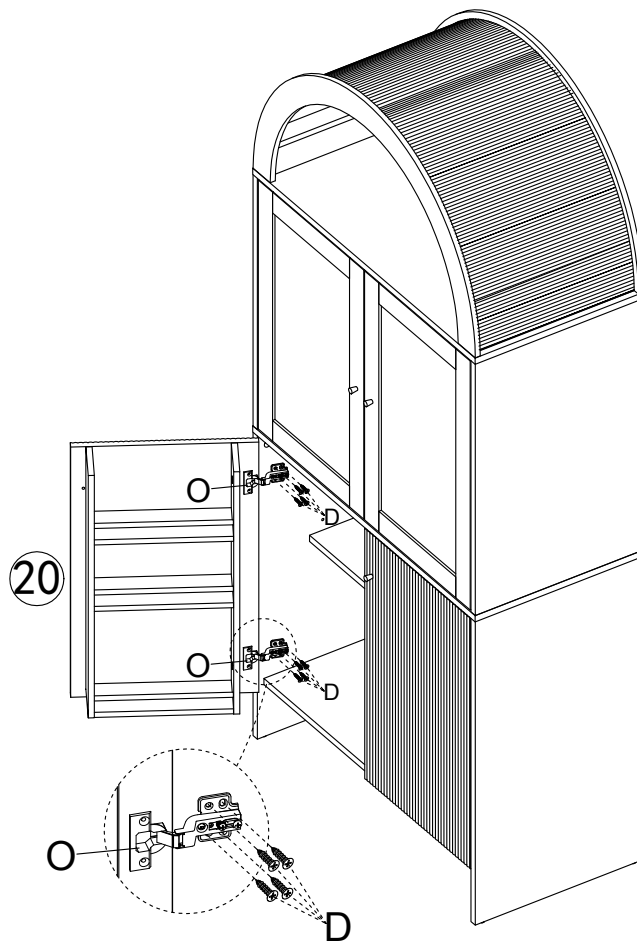
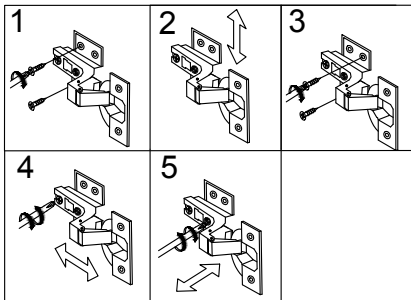
G	X4
	
Ø8x30mm	


31



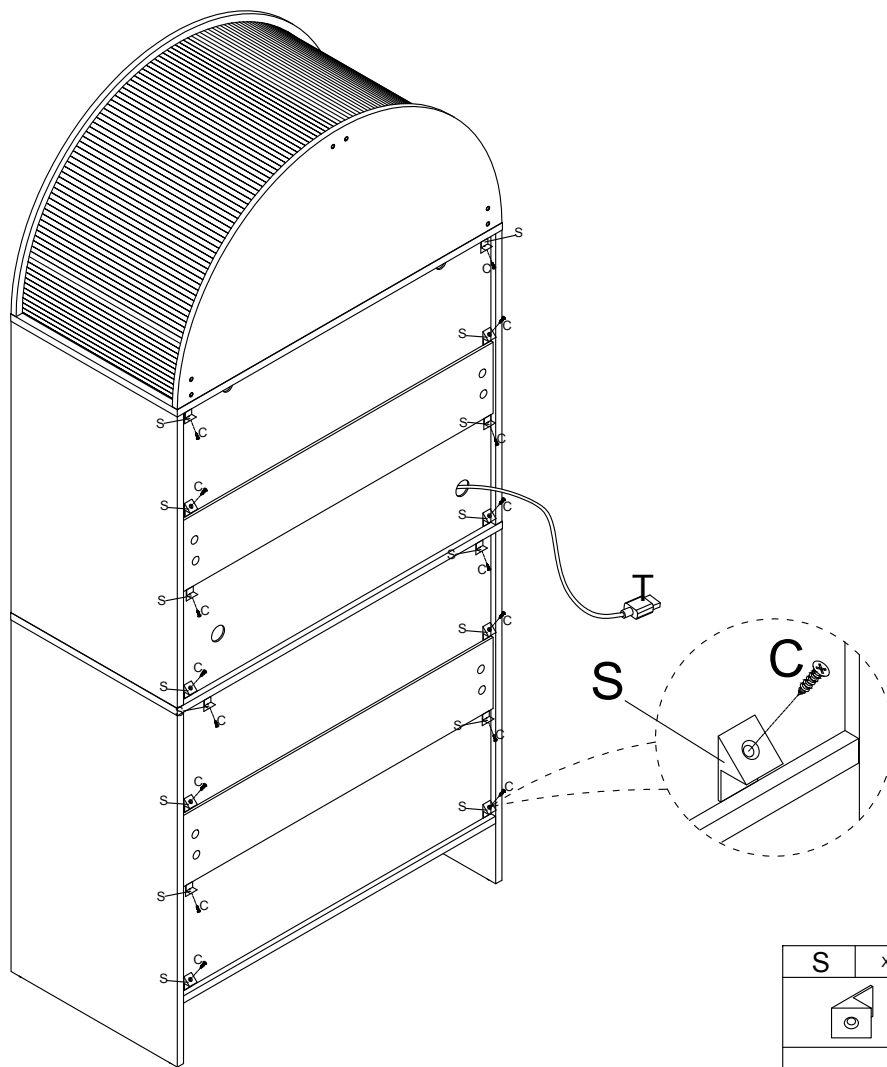
D	x8
	
M3.5x14mm	


32




D	x8
	
M3.5x14mm	

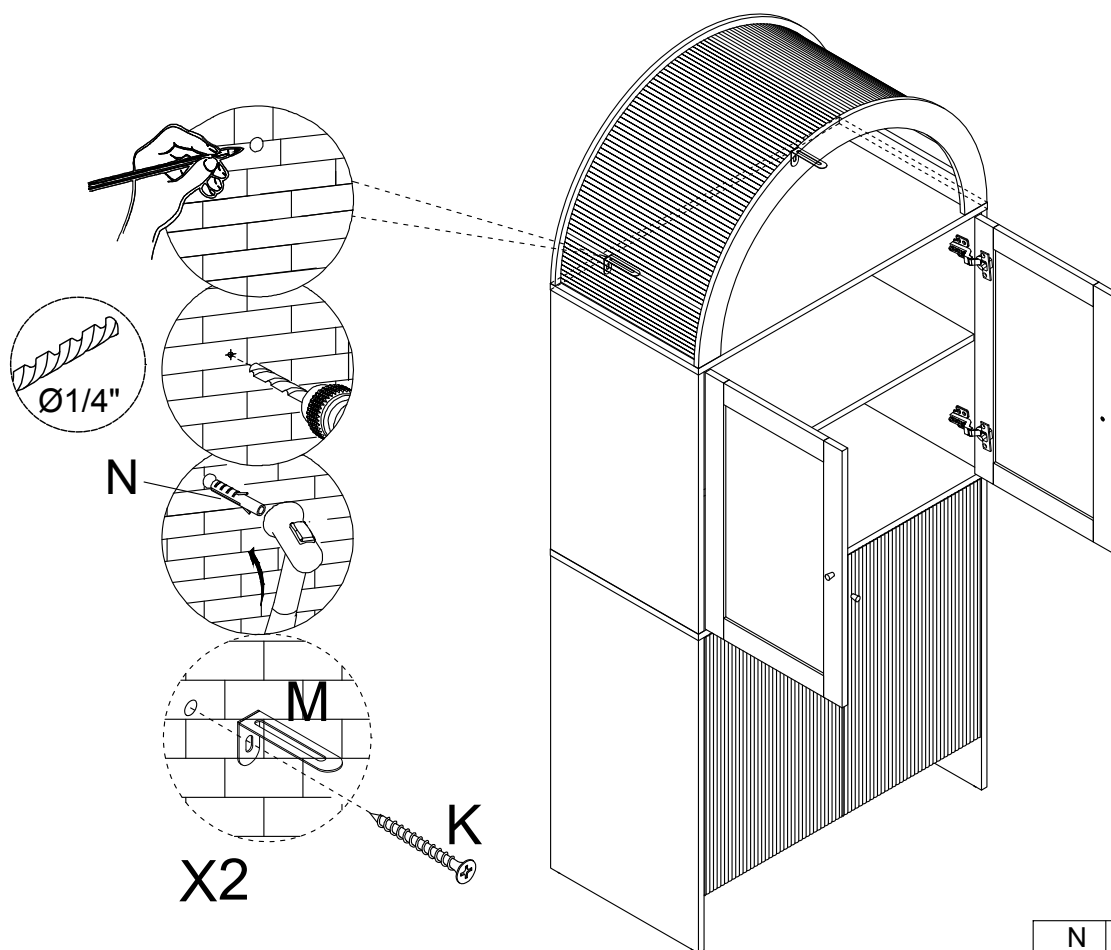
33



S	X16
	

C	X16
	
M3x16mm	

34




Ø1/4"


N

M

K

X2

N	X2
	
Ø6x30mm	

K	X2
	
M4x35mm	