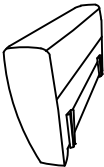
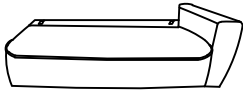
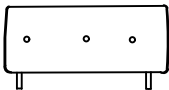






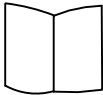
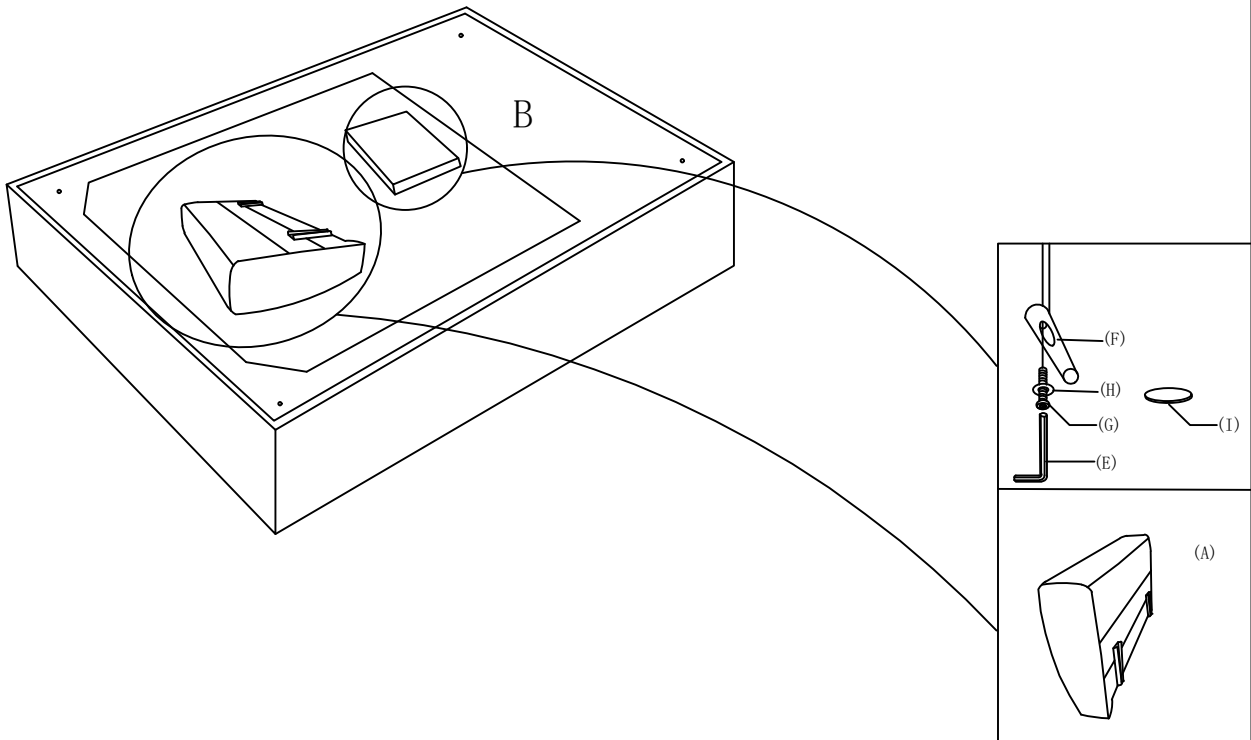


Accessories list(sitting sofa)

| | | | | |
|---|--|--|---|--|
| <p>A*</p>  <p>Right armrest (1)</p> | <p>B</p>  <p>Left armrest with seat frame (1)</p> | <p>C</p>  <p>Backrest (1)</p> | <p>D</p>  <p>Pillow (2)</p> | <p>E*</p>  <p>M5x100x40Wrench (1)</p> |
| <p>F*</p>  <p>18cm Sofa feet (4)</p> | <p>G*</p>  <p>8x50 screw (4)</p> | <p>H*</p>  <p>8*15mm Gasket (4)</p> | <p>I*</p>  <p>38mm Woolenmat (4)</p> |  <p>Instruction Manual (1)</p> |

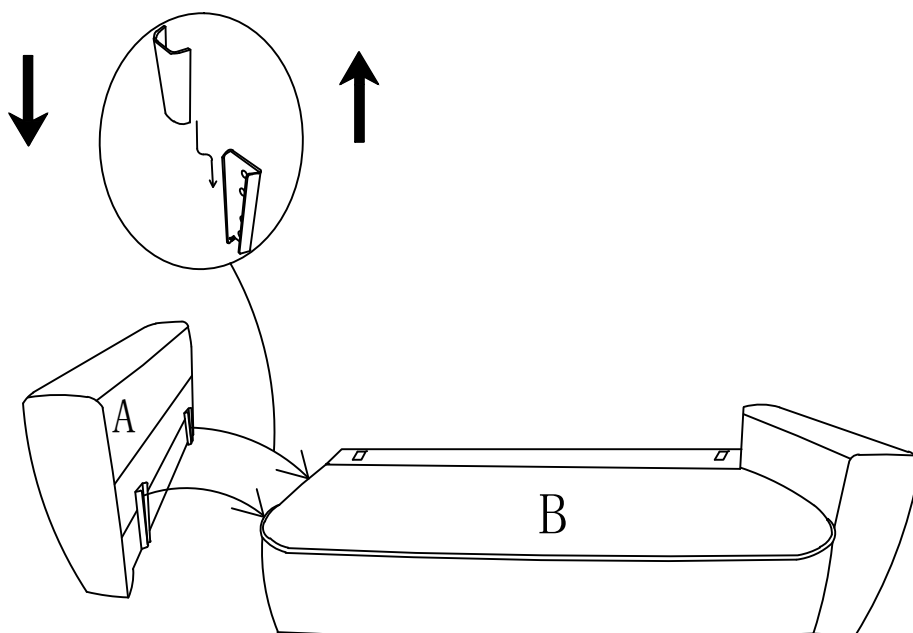
STEP 1:

Take out the accessories from the bottom of the sofa



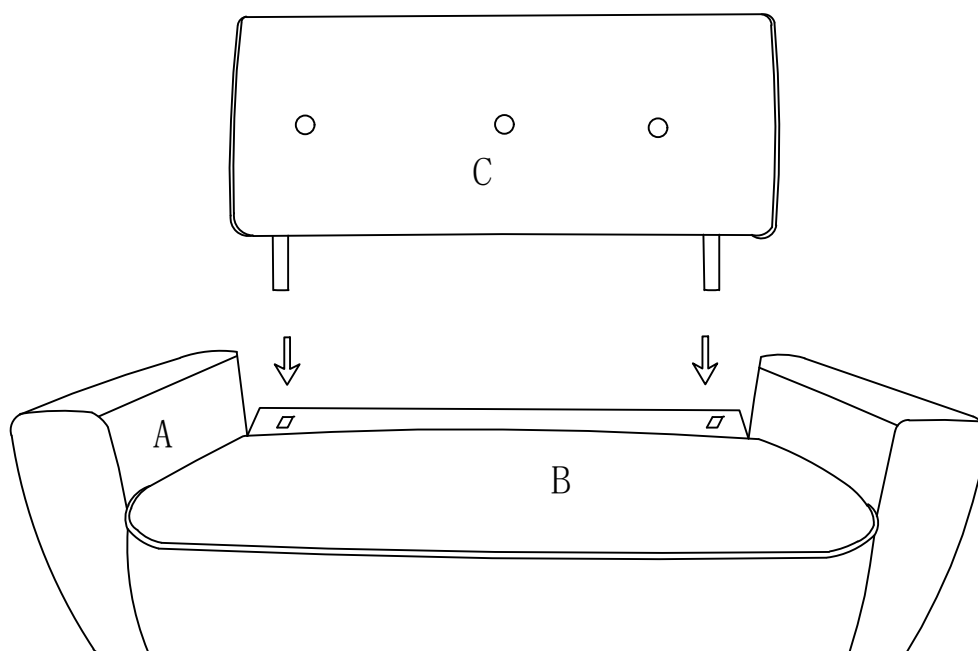
STEP 2:

Insert the right armrest into the sofa frame



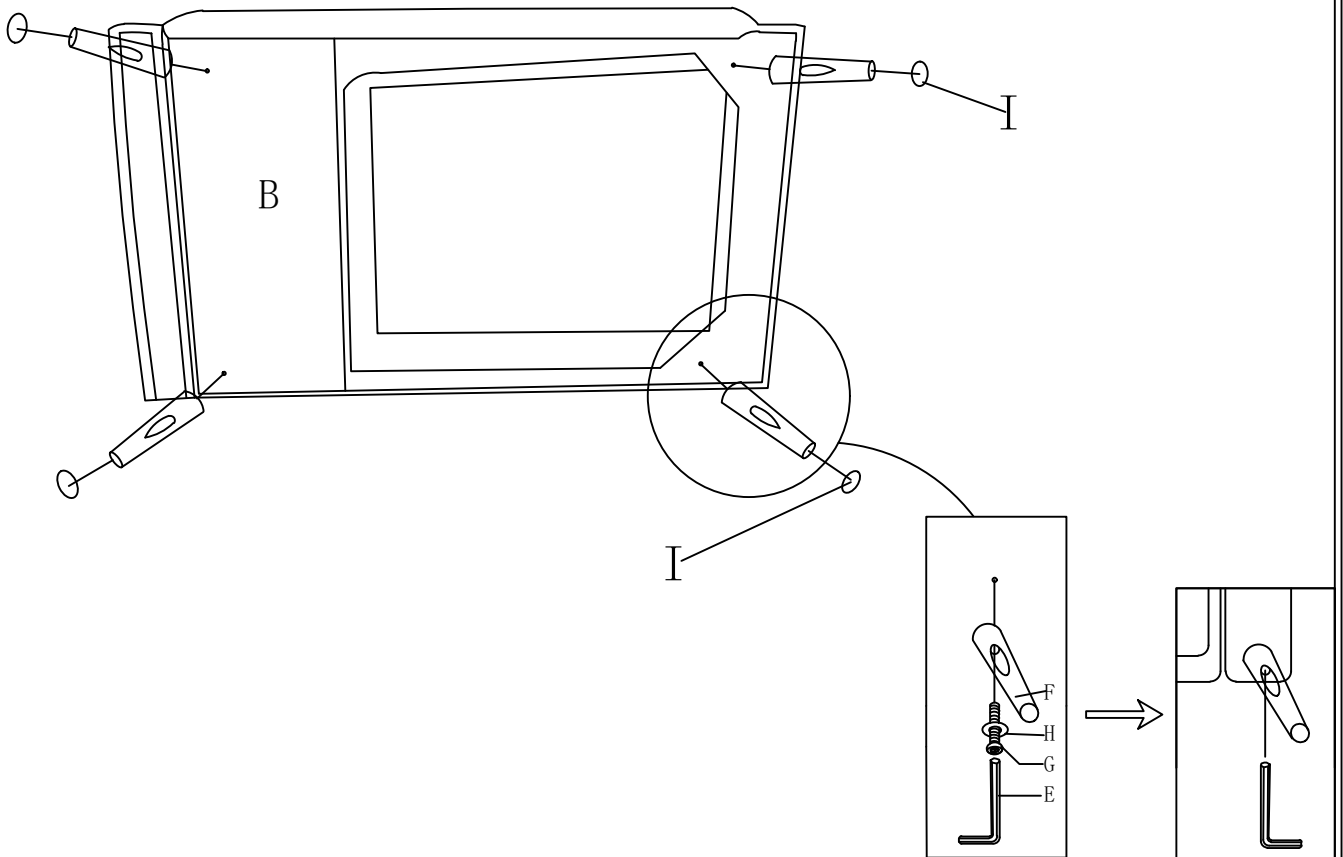
STEP 3:

Insert the backrest into the seat frame



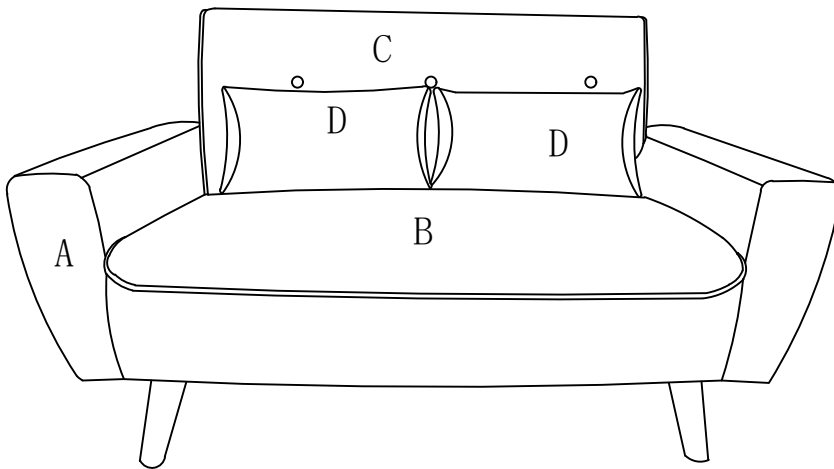
STEP 4:

Install the sofa feet.



STEP 5 :

Put the pillows on the sofa and the sofa assembly completed



1. sofa feet and hardware are at the bottom of the seat frame.

2. Pillow is on the side of the seat frame.

