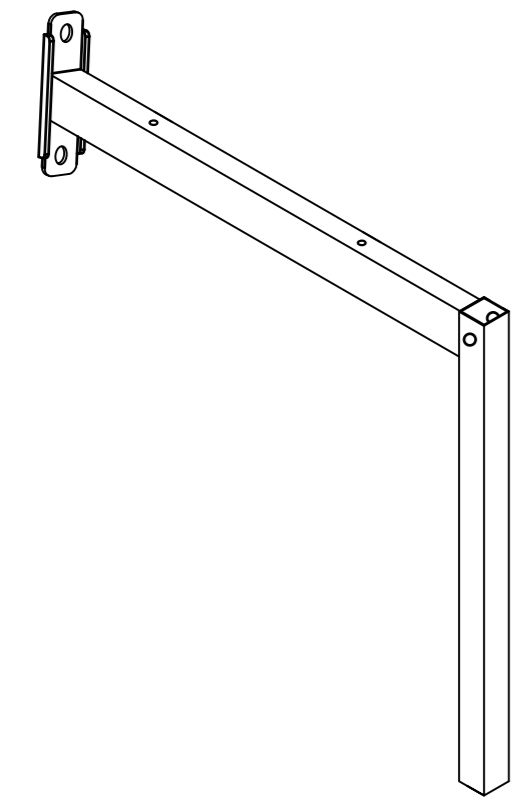


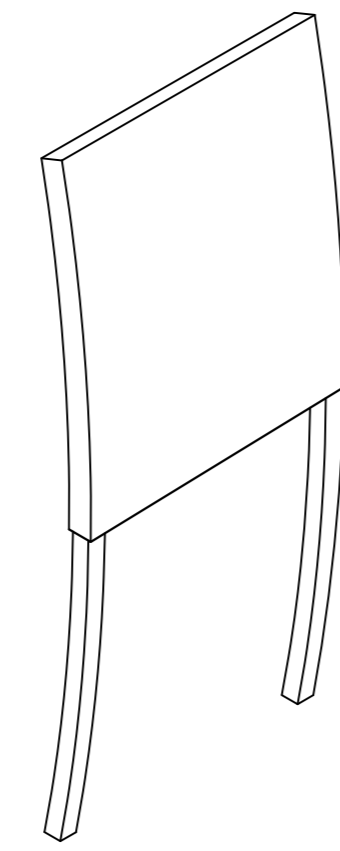
# ASSEMBLY INSTRUCTION

## CHAIR

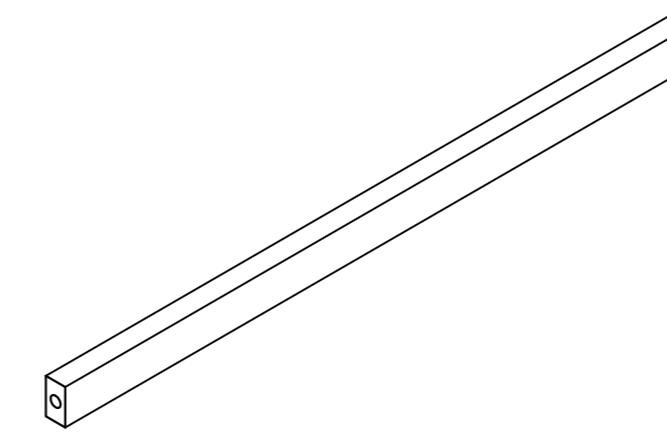
### PART LIST:



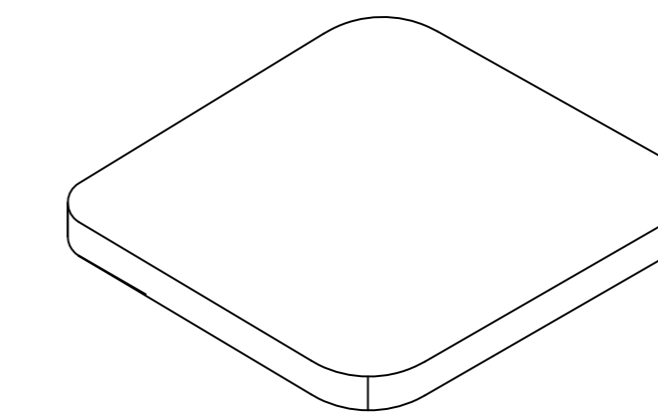
Chair Frame L&R  
2PCS



Chair Back  
1PC



Front Rail  
1PC

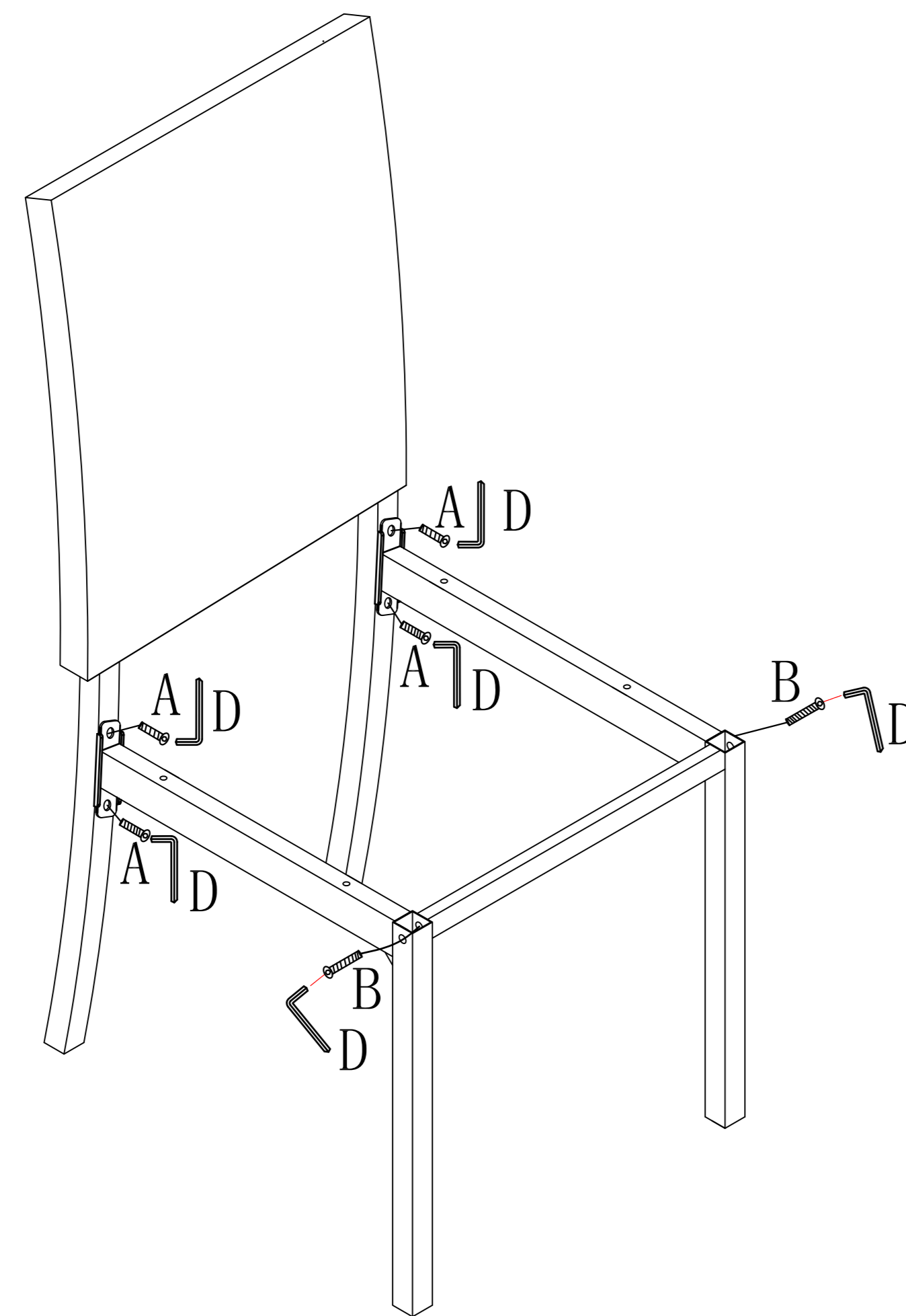


Seat Cushion  
1PC

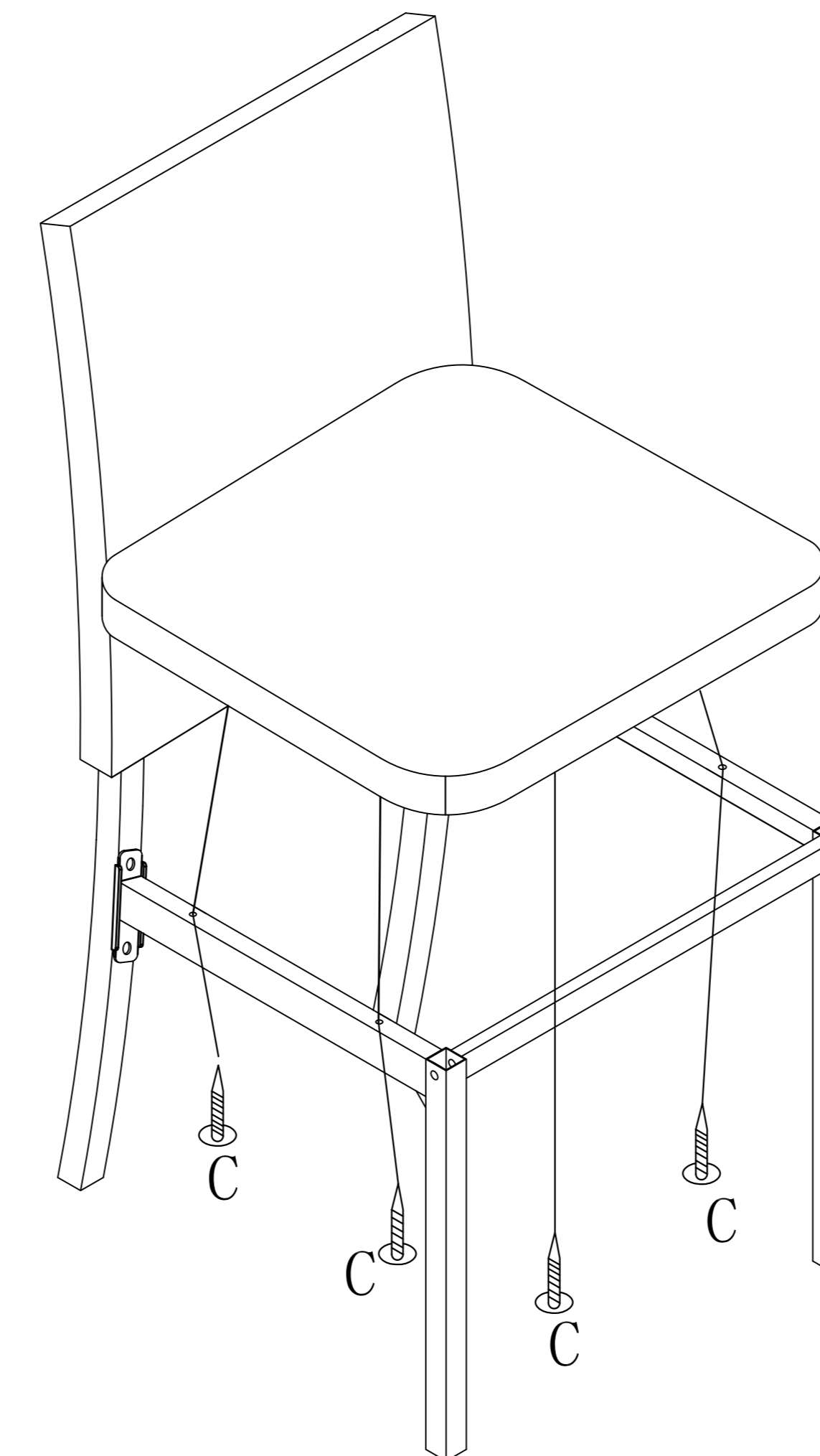
### HARDWARE LIST

A		Long Bolt	1/4"*19mm	4pcs
B		Long Bolt	1/4"*43mm	2pcs
C		Screw	M5*56mm	4pcs
D		L-Allen Key	4mm	1pc

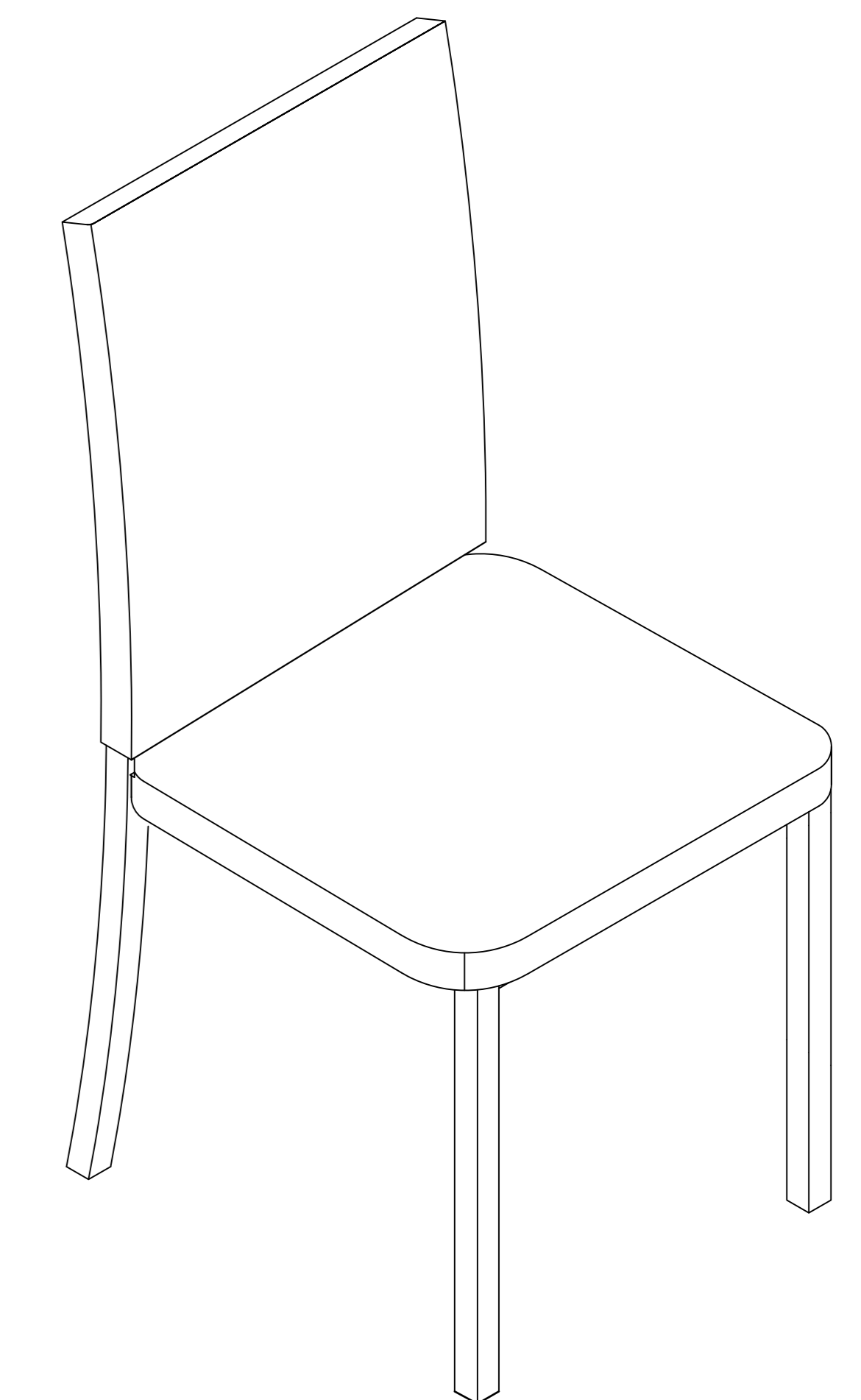
### STEP 1



### STEP 2




### COMPLETED



(1) Align the chair frame L&R to the chair back and front rail, insert the bolt to the holes and tighten it.

(2) Attach the seat cushion to the seat, insert the screw then tighten it.

 For items use on wooden floor, hard surfaces or carpets, it is recommended to Install protective pads under all legs and supports to avoid/prevent from damages/scratches and discoloration.