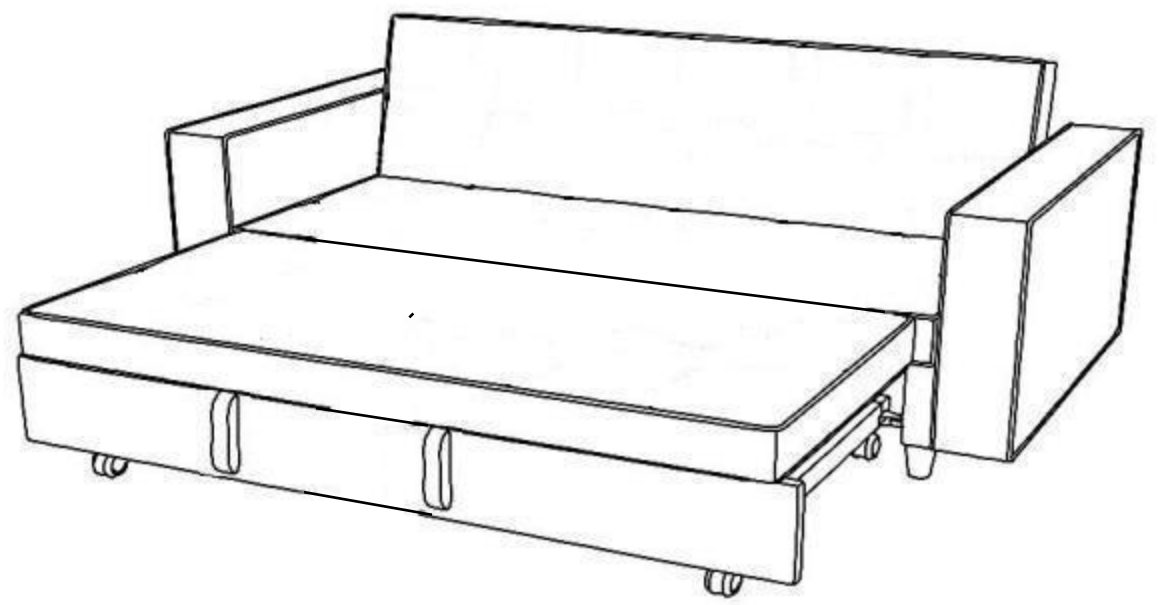
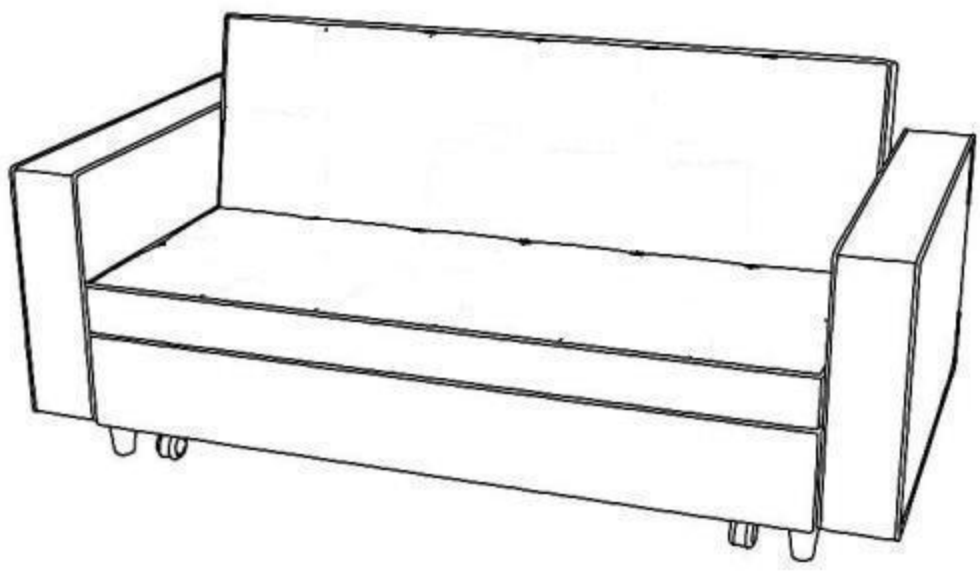
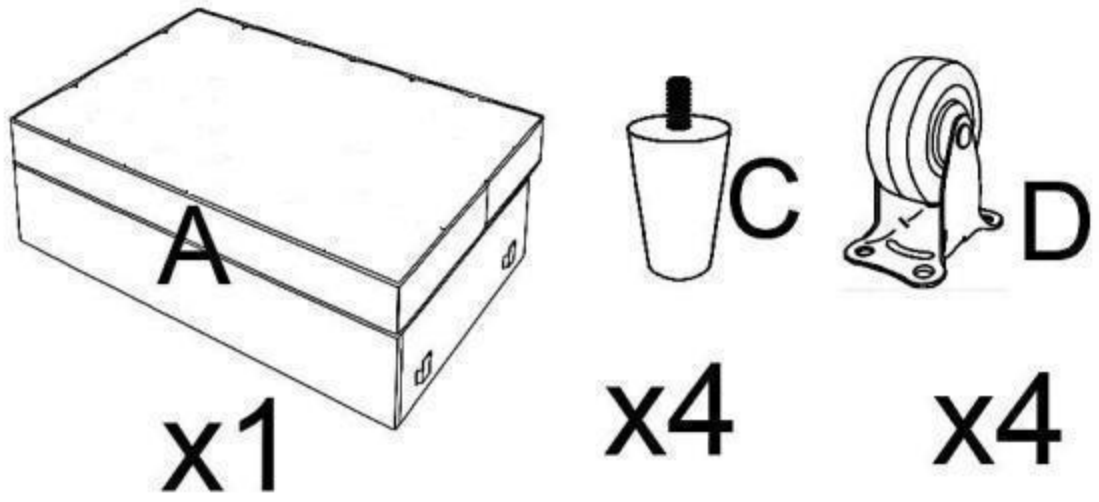


ASSEMBLY INSTRUCTION

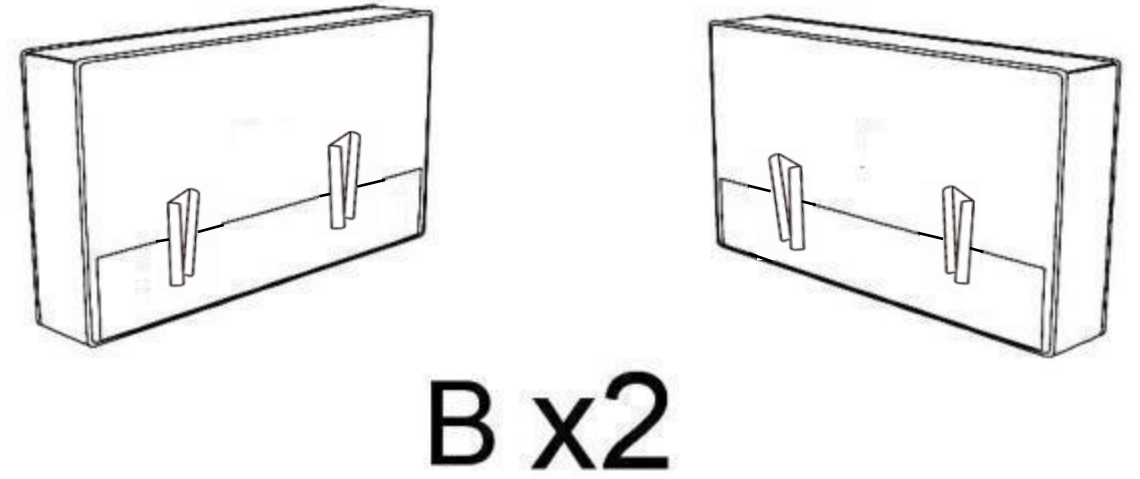


PARTS LIST

BOX1



BOX2

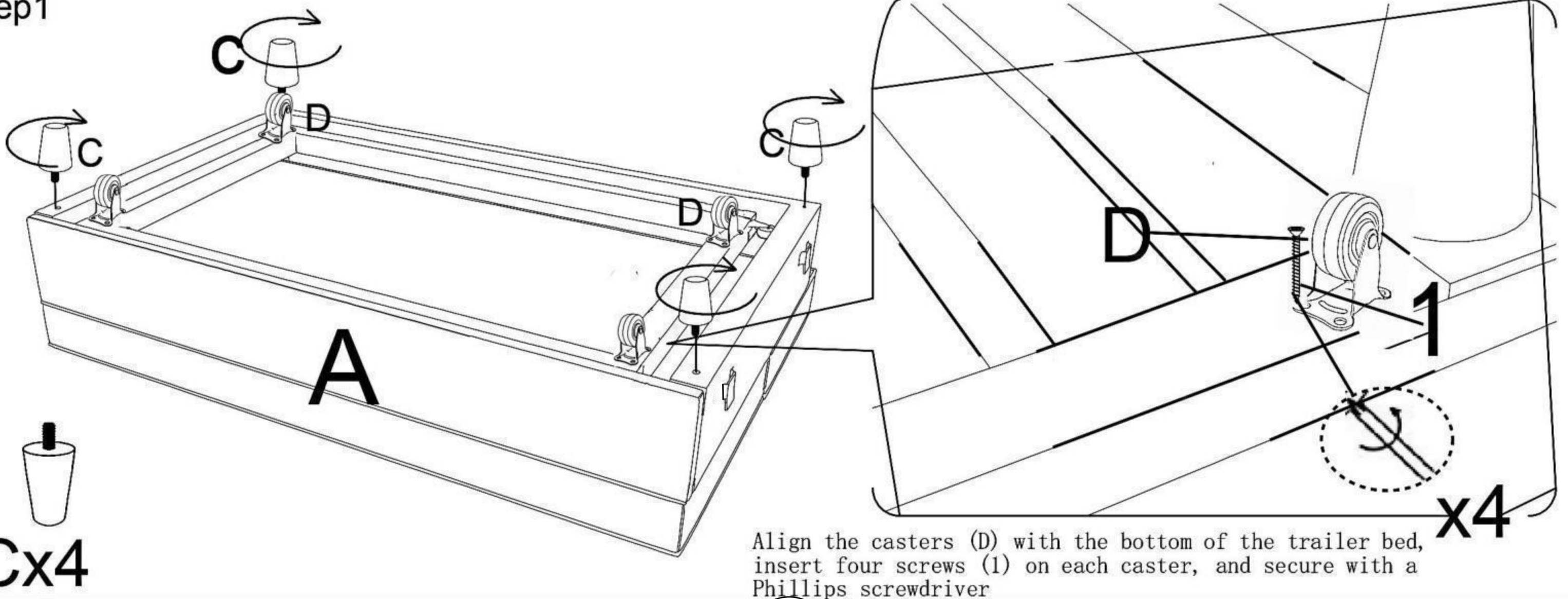


1 screw*16

HARDWARE LIST

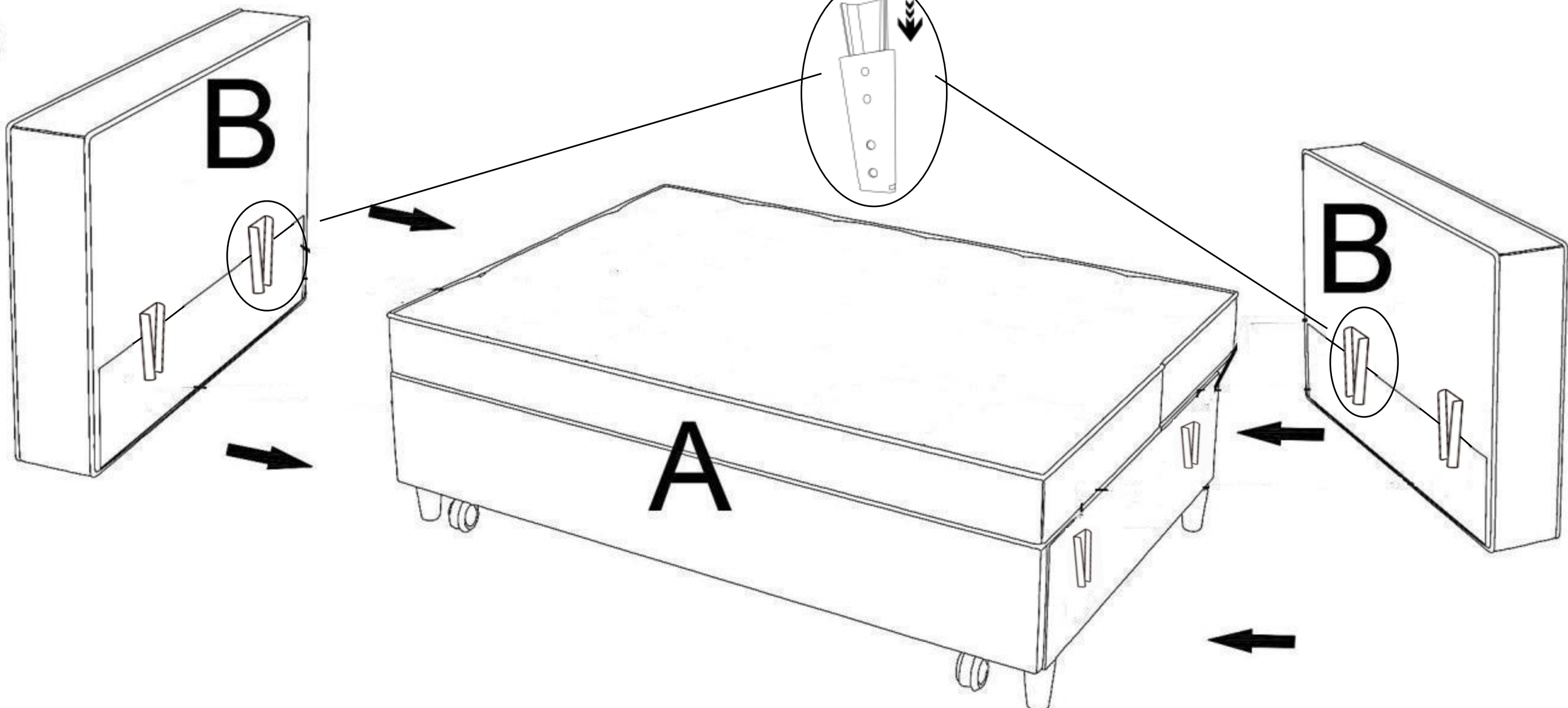
ASSEMBLY INSTRUCTION

Step1



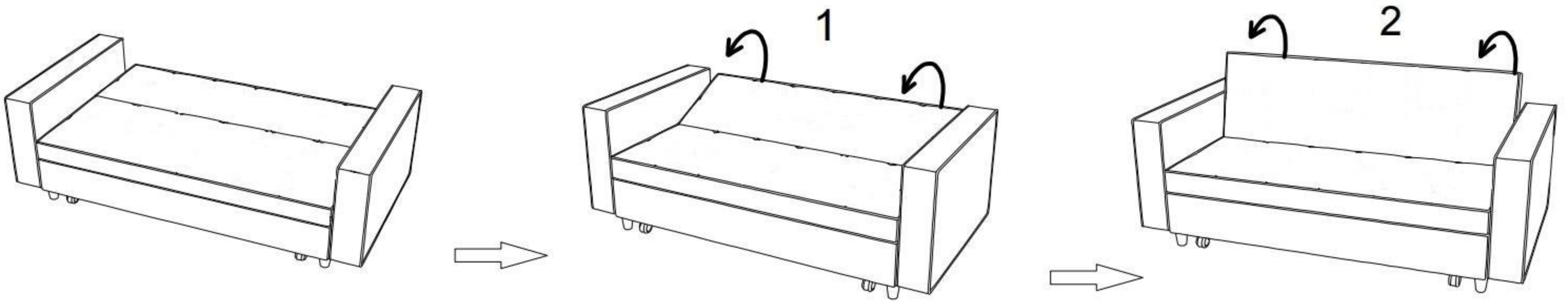
Align the casters (D) with the bottom of the trailer bed, insert four screws (1) on each caster, and secure with a Phillips screwdriver

Step2

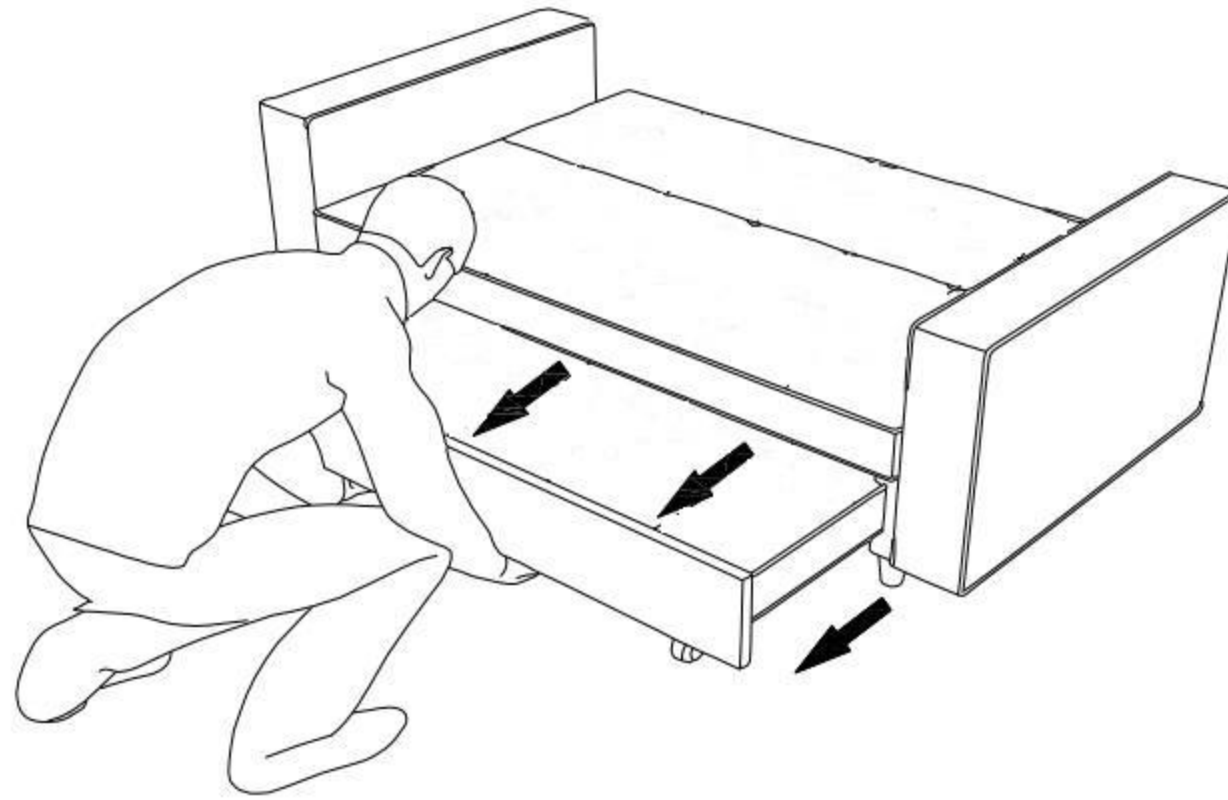


ASSEMBLY INSTRUCTION

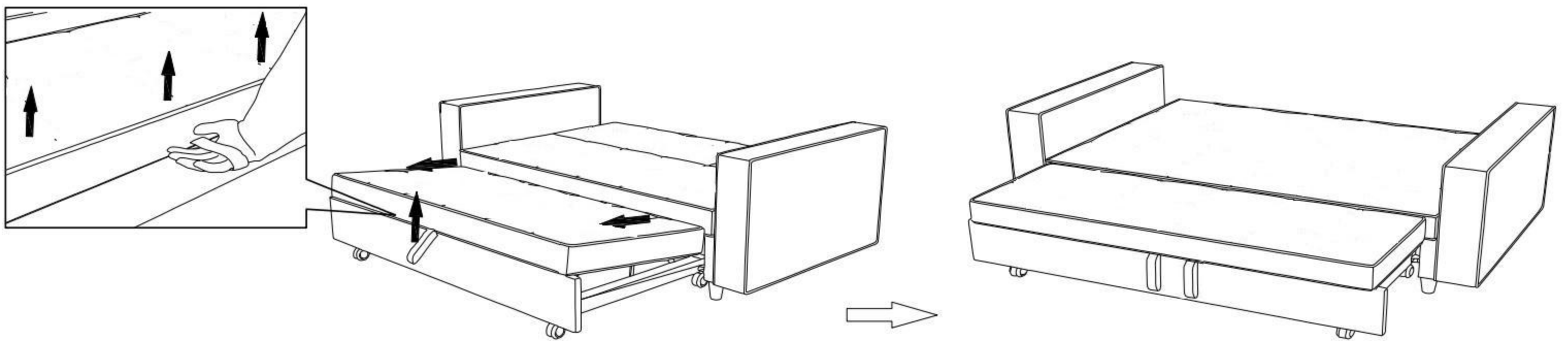
Step3



Step4



Step5



Step6

