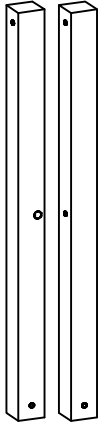


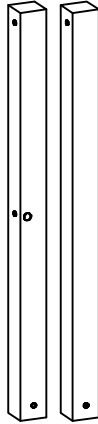
Installation & Assembly



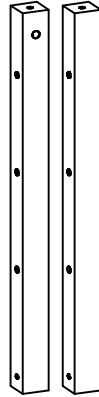
Ax2



Bx1



Cx1

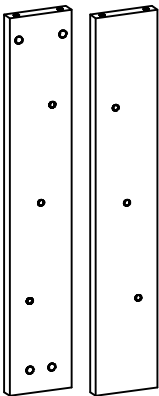


Dx2

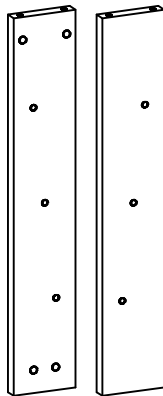


$\frac{524 \times 38}{20.6 \times 1.5}$

Ex2



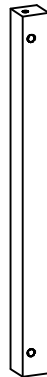
Fx1



Gx1

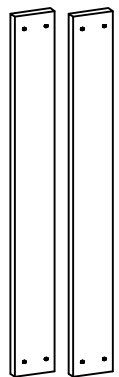


Hx1

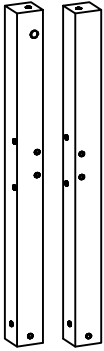


$\frac{500 \times 38}{19.7 \times 1.5}$

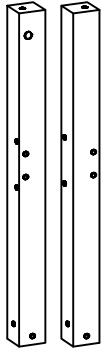
Ix2



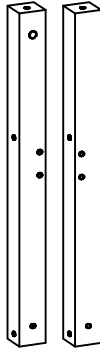
Jx16



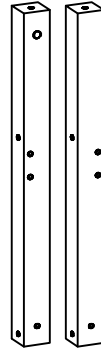
Kx1



Lx1



Mx1



Nx1



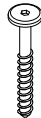
$\frac{424 \times 38}{16.7 \times 1.5}$
Ox2



$M6 \times \frac{120}{4.7}$
Px2



$M6 \times \frac{85}{3.3}$
Qx28



$M6 \times \frac{60}{2.4}$
Rx2



$M6 \times \frac{25}{1.0}$
Sx6



$M6 \times \frac{35}{1.4}$
Tx6



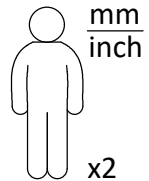
$M3.5 \times \frac{28}{1.1}$
Ux64

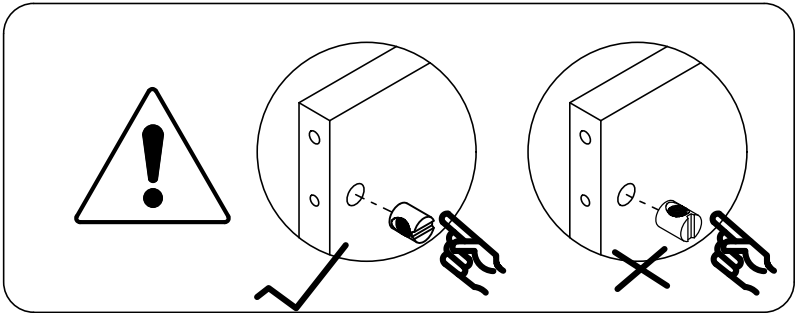
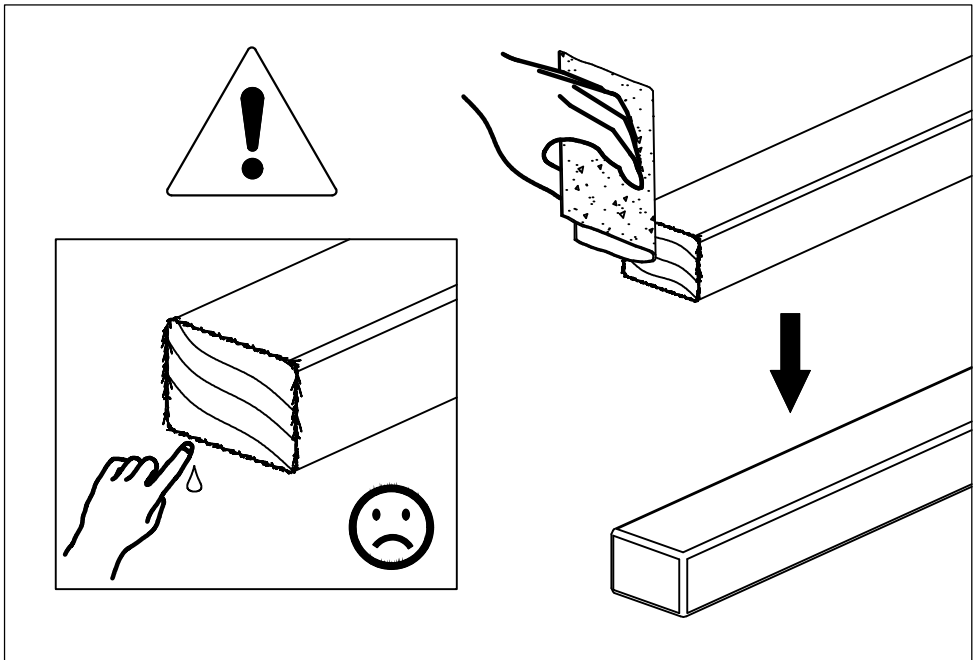


Vx32

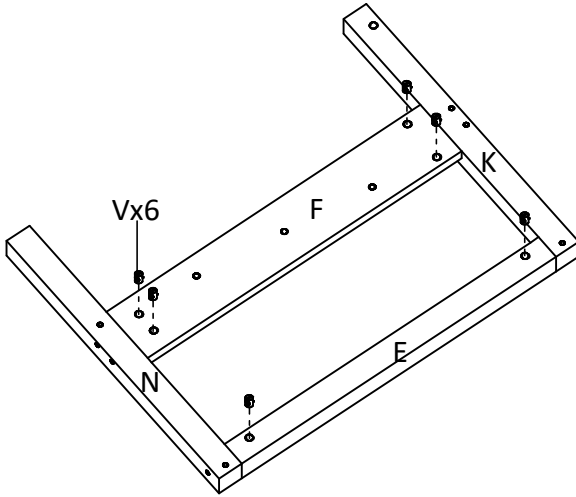


Wx1

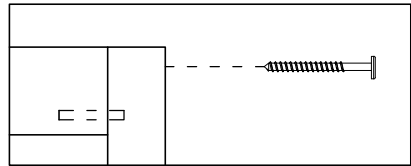
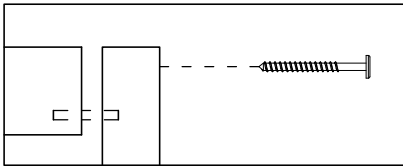




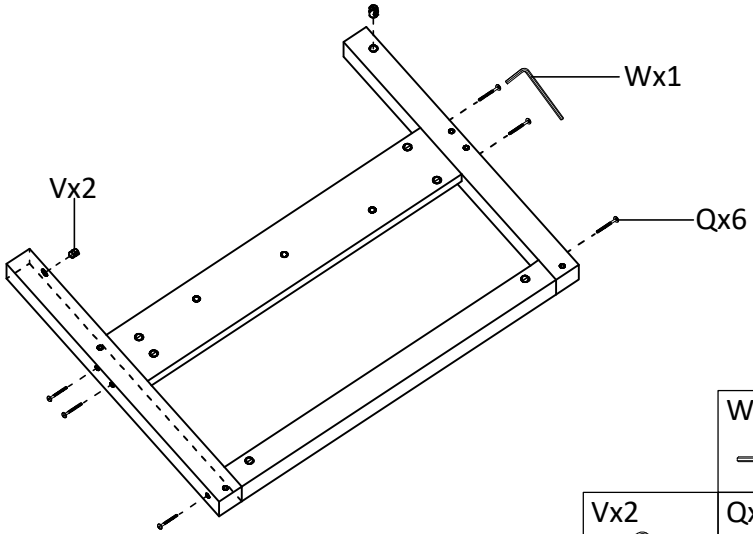
①



Vx6



②



Wx1



Vx2

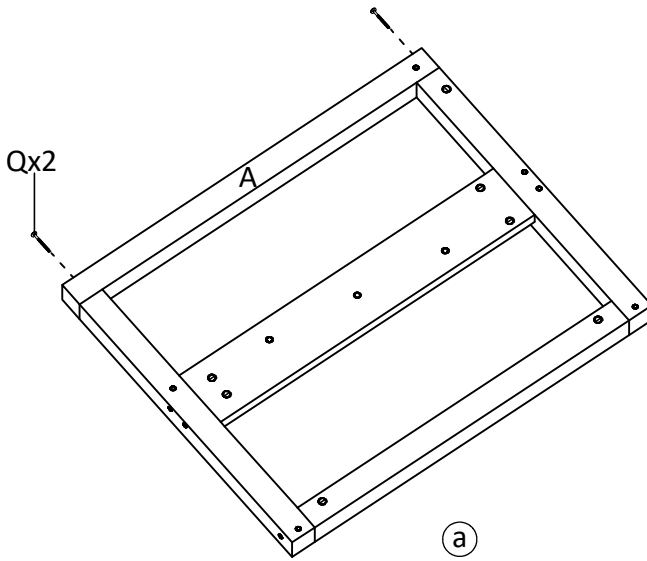


Qx6



M6x $\frac{85}{3.3}$

③



Qx2

A

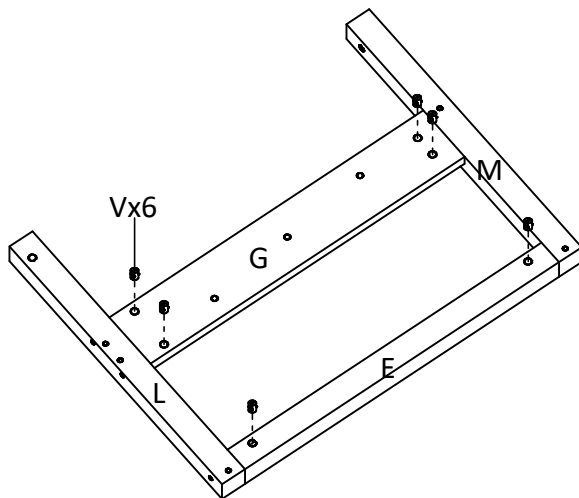
a

Qx2



M6x $\frac{85}{3.3}$

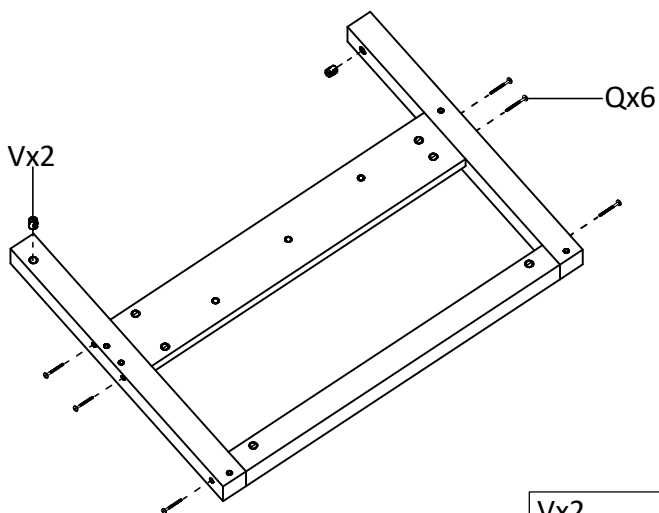
④



Vx6



⑤



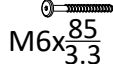
Vx2

Qx6

Vx2

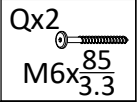
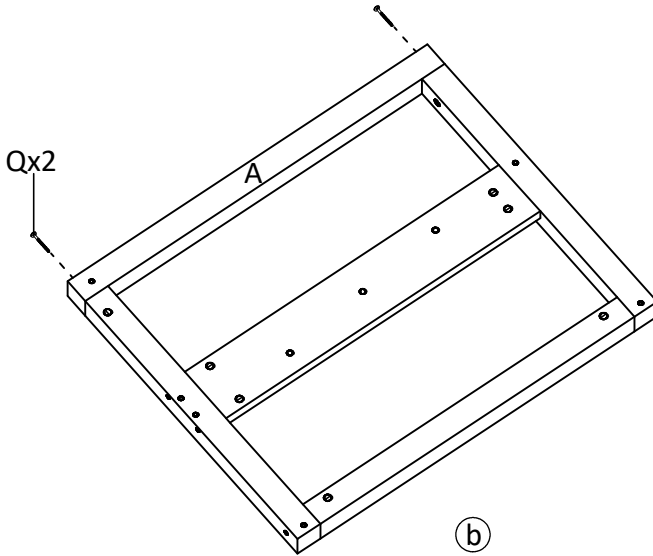


Qx6

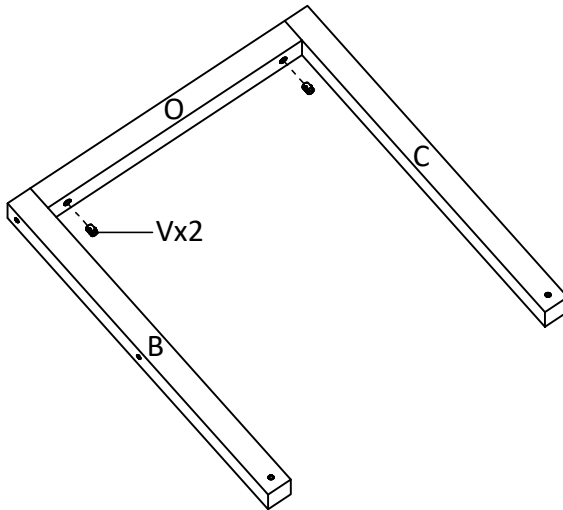


M6x $\frac{85}{3.3}$

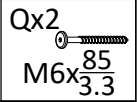
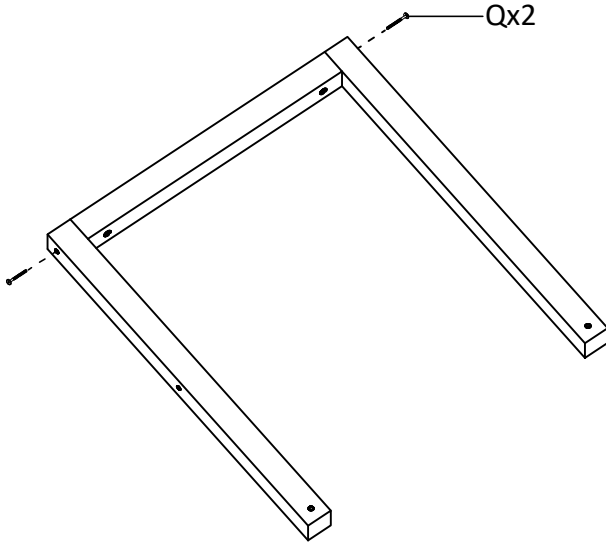
6



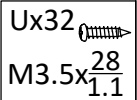
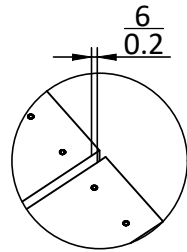
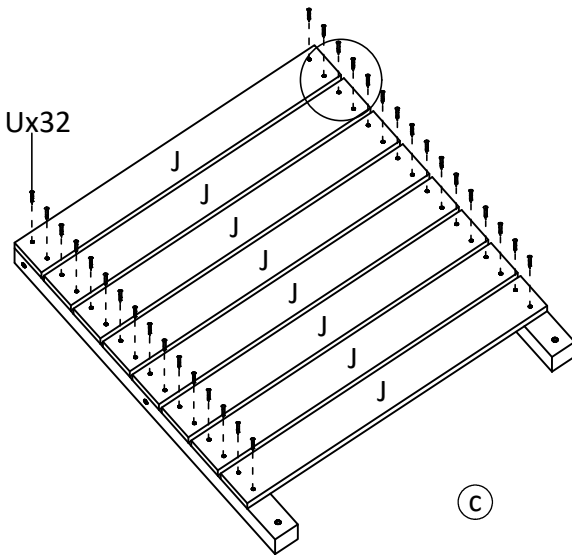
7



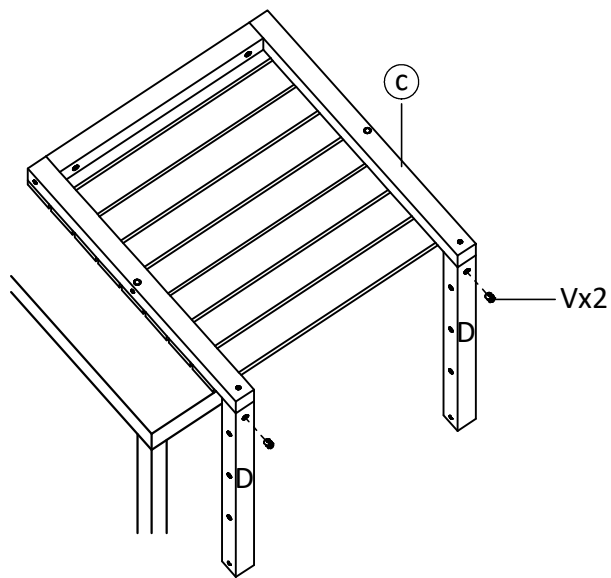
8



9



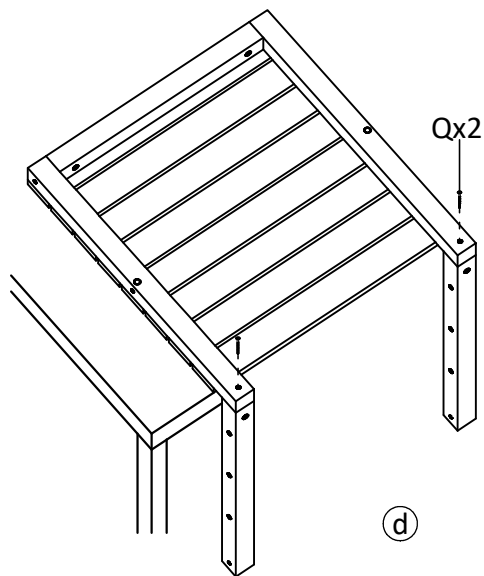
10



Vx2



11

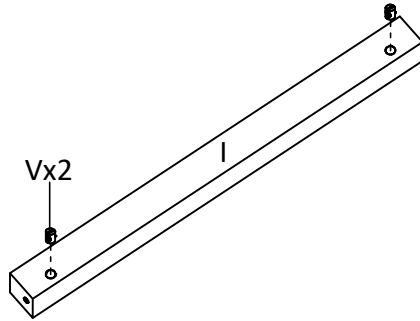


Qx2



M6x $\frac{85}{3.3}$

12x2

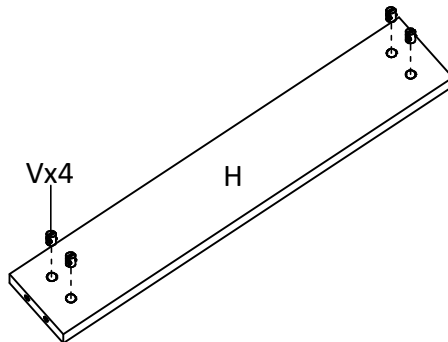


e

Vx4



13

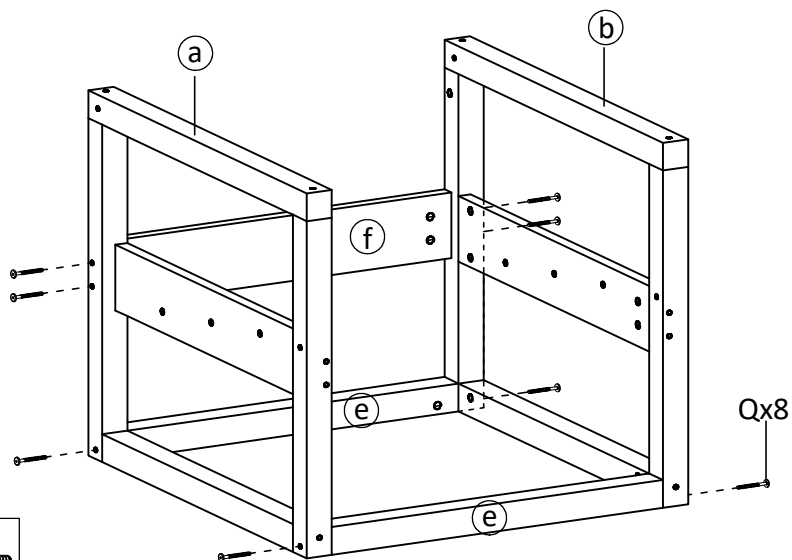


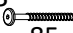
f

Vx4

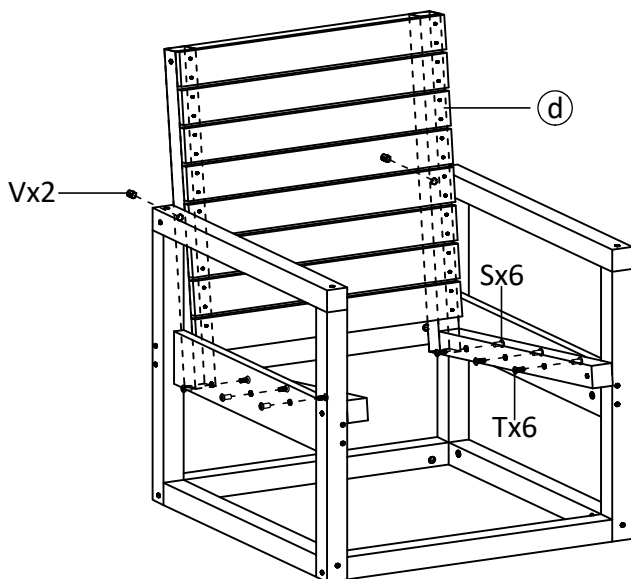



14





Qx8

M6x $\frac{85}{3.3}$

15

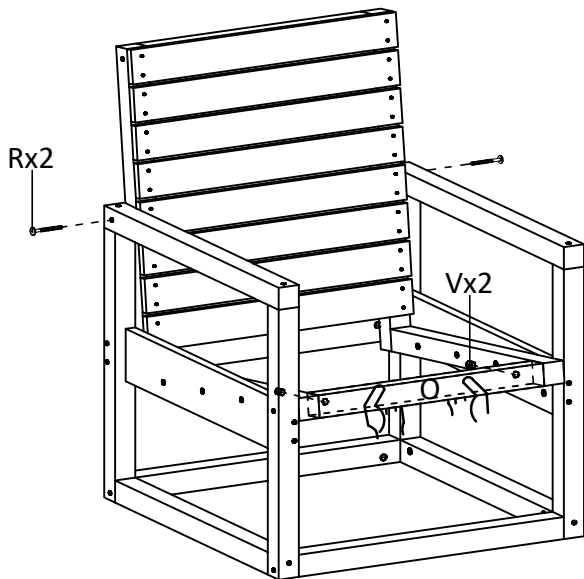


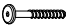
Vx2


Sx6

M6x $\frac{25}{1.0}$

Tx6

M6x $\frac{35}{1.4}$

16



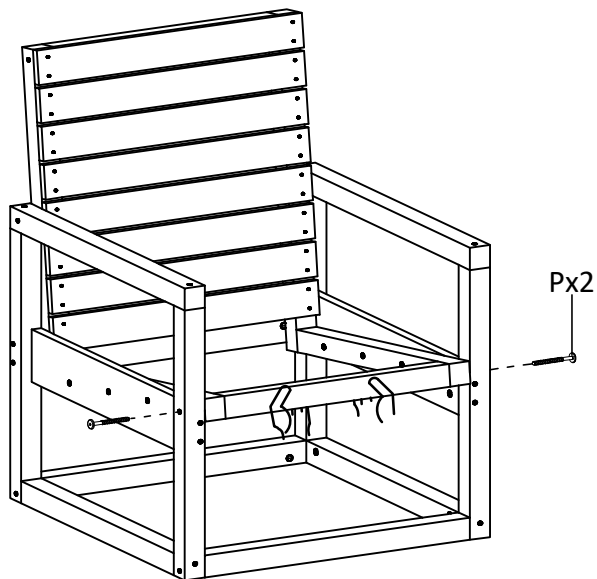
Rx2 

M6x $\frac{60}{2.4}$


Vx2



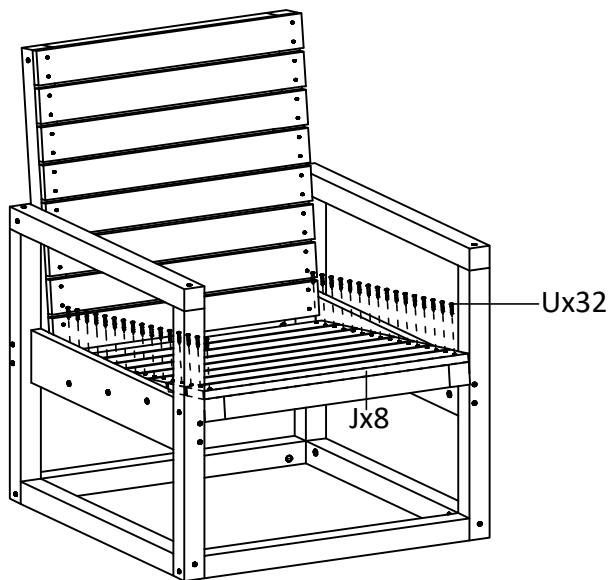
17




Px2

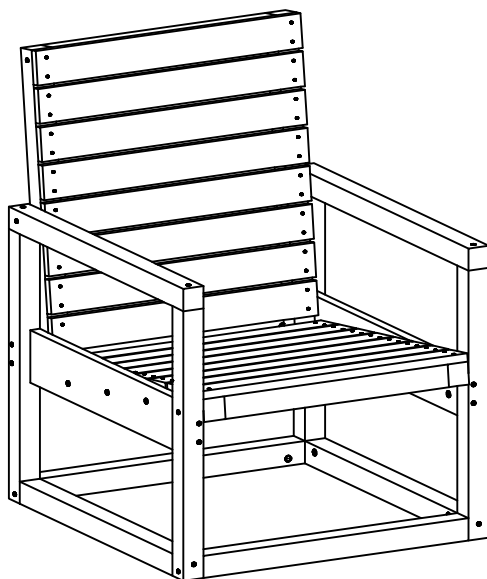
Px2 
M6x $\frac{120}{4.7}$

18



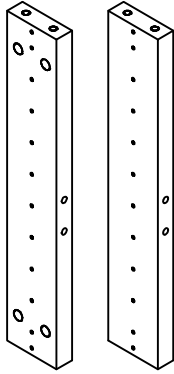
Ux32 
M3.5x $\frac{28}{1.1}$

19

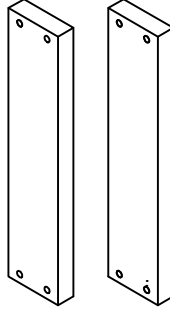




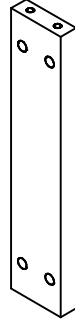
Ax6



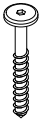
Bx4



Cx4

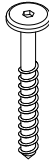


Dx1



M6x $\frac{60}{2.4}$

Ex16



M6x $\frac{100}{3.9}$

Fx4

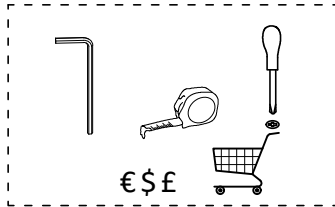


Gx20



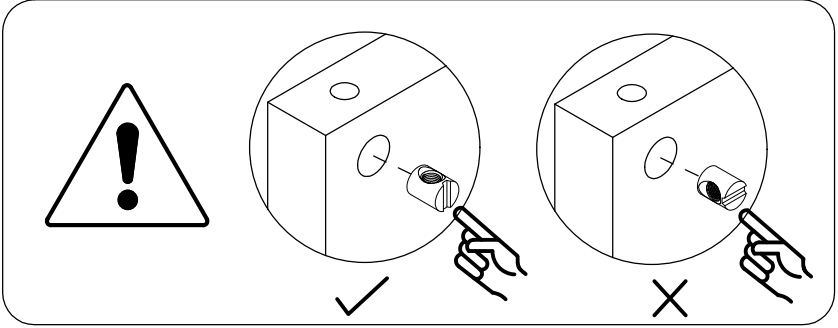
M3.5x $\frac{28}{1.1}$

Hx24

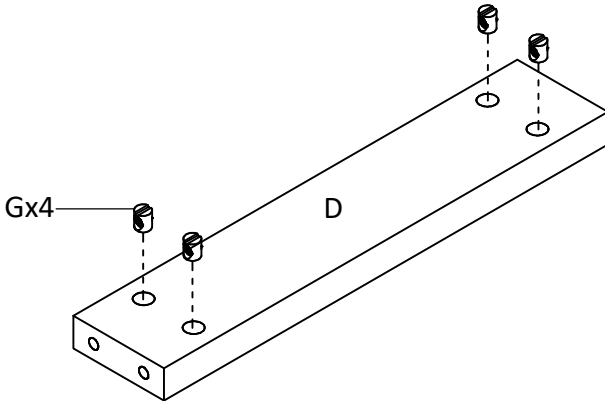


mm
inch

x2

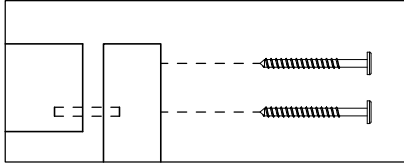


①

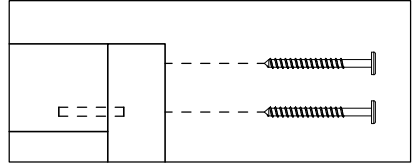


Gx4



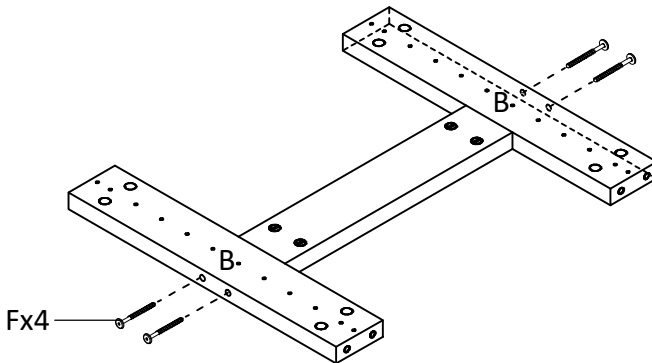



✗



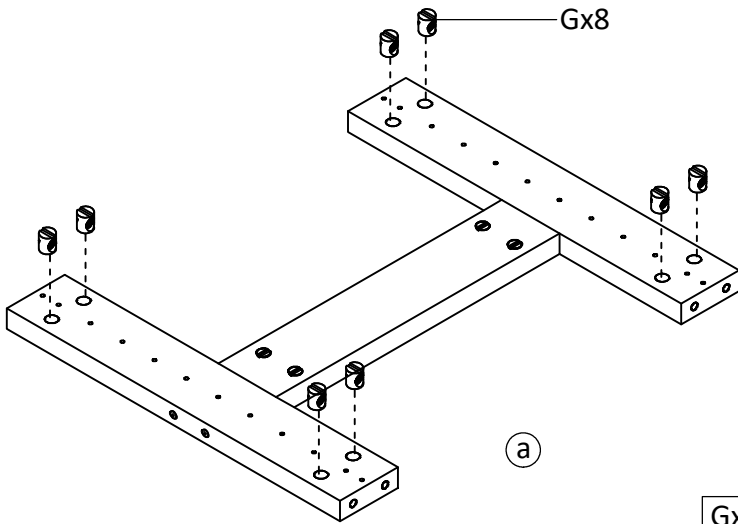
✓

②



Fx4 
M6x $\frac{100}{3.9}$

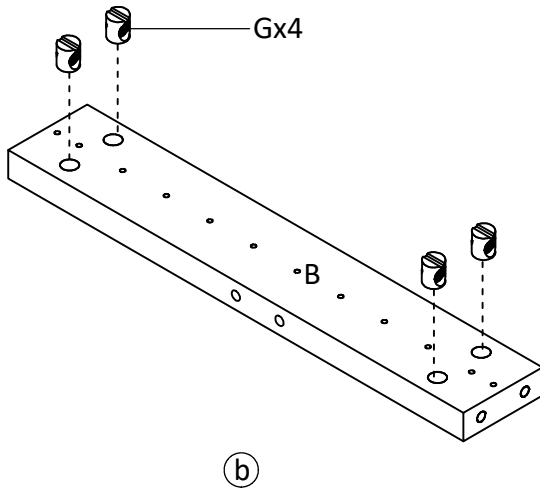
3



Gx8



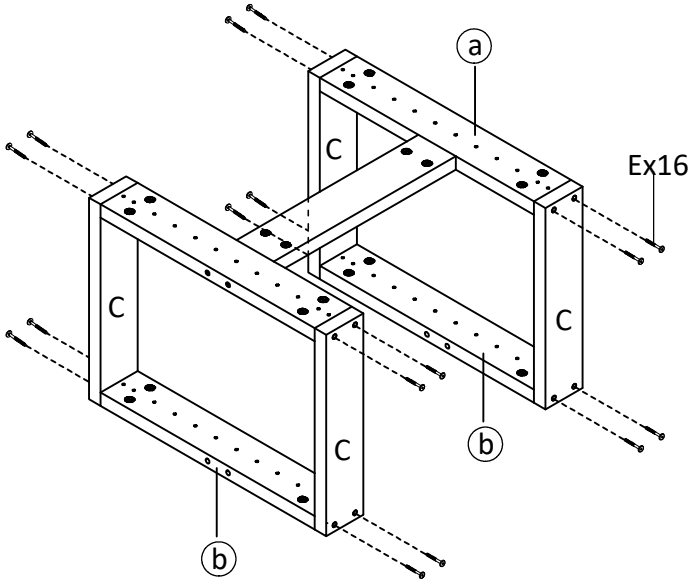
4 x2

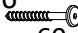


Gx8

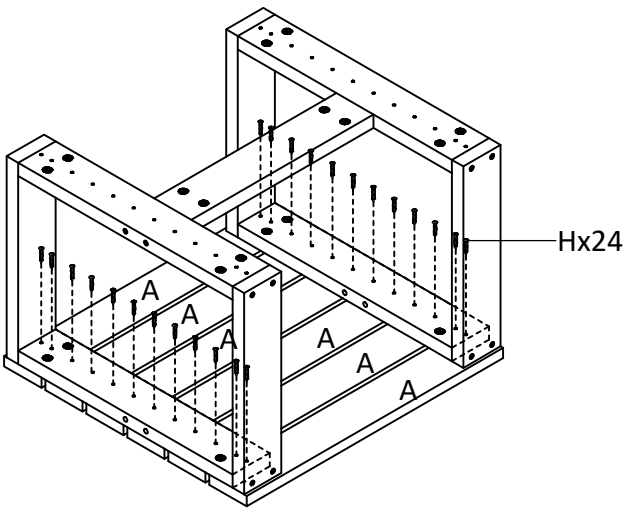


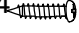
5



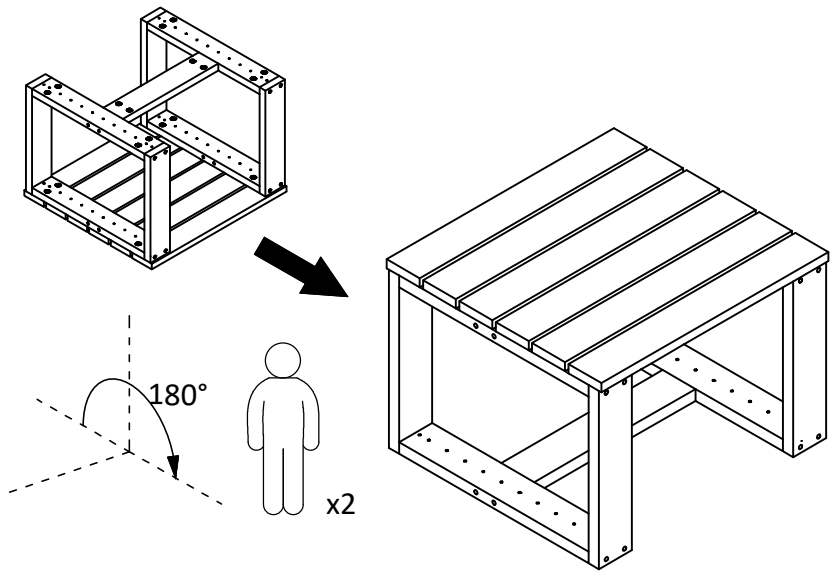
Ex16

M6x $\frac{60}{2.4}$

6

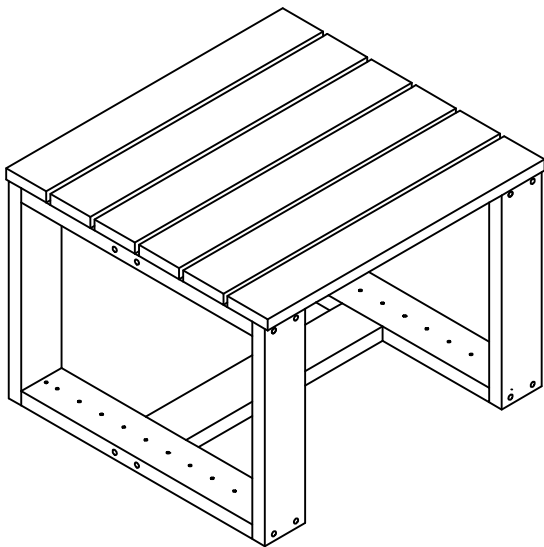


Hx24

M3.5x $\frac{28}{1.1}$

7



8



9

