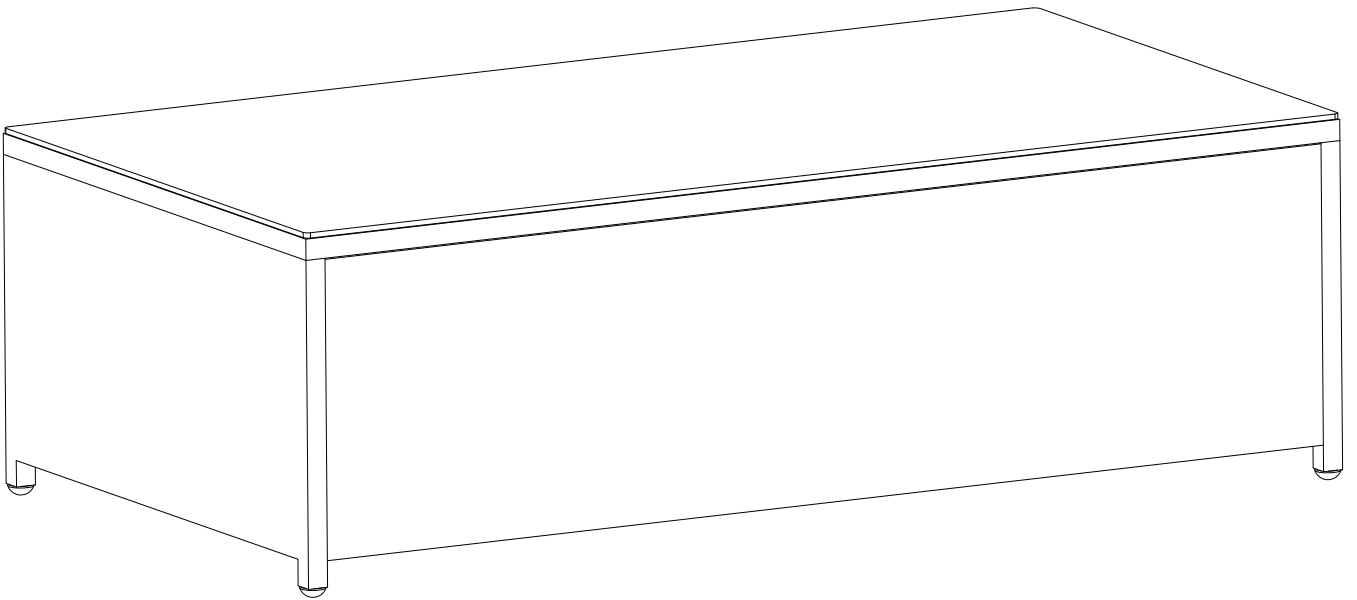
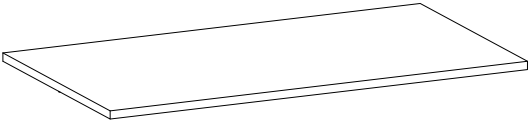
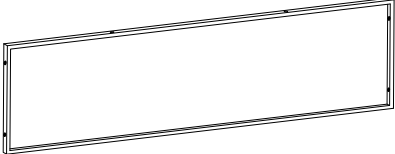
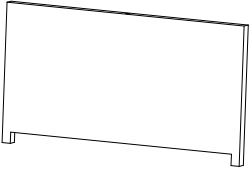
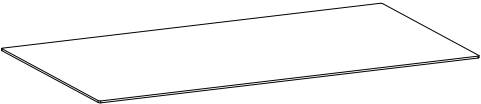


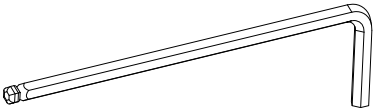
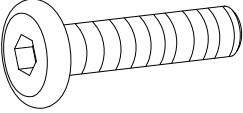
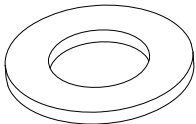
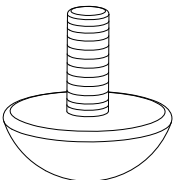
Outdoor Wicker Glass
Top Coffee Table



PART LIST

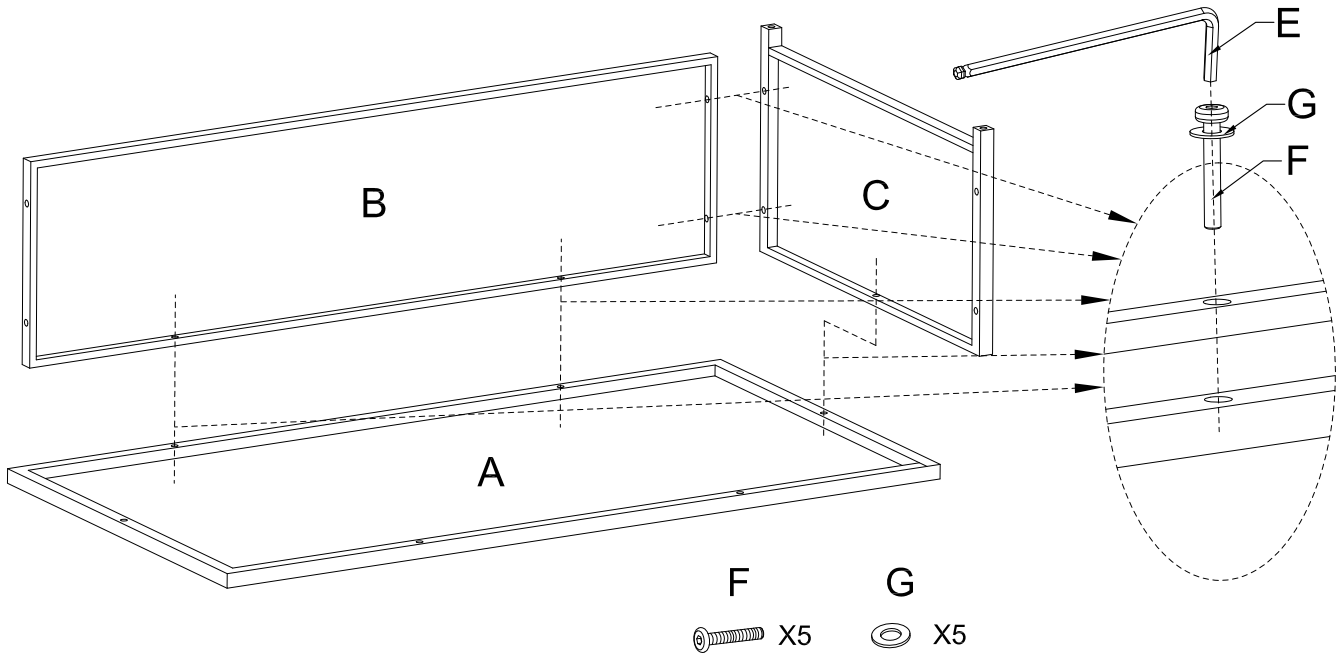
 <p>Wicker Top</p>		 <p>Side Panel</p>	
A	1pc	B	2pcs
 <p>End Panel</p>		 <p>Glass Top</p>	
C	2pcs	D	1pc

HARDWARE LIST

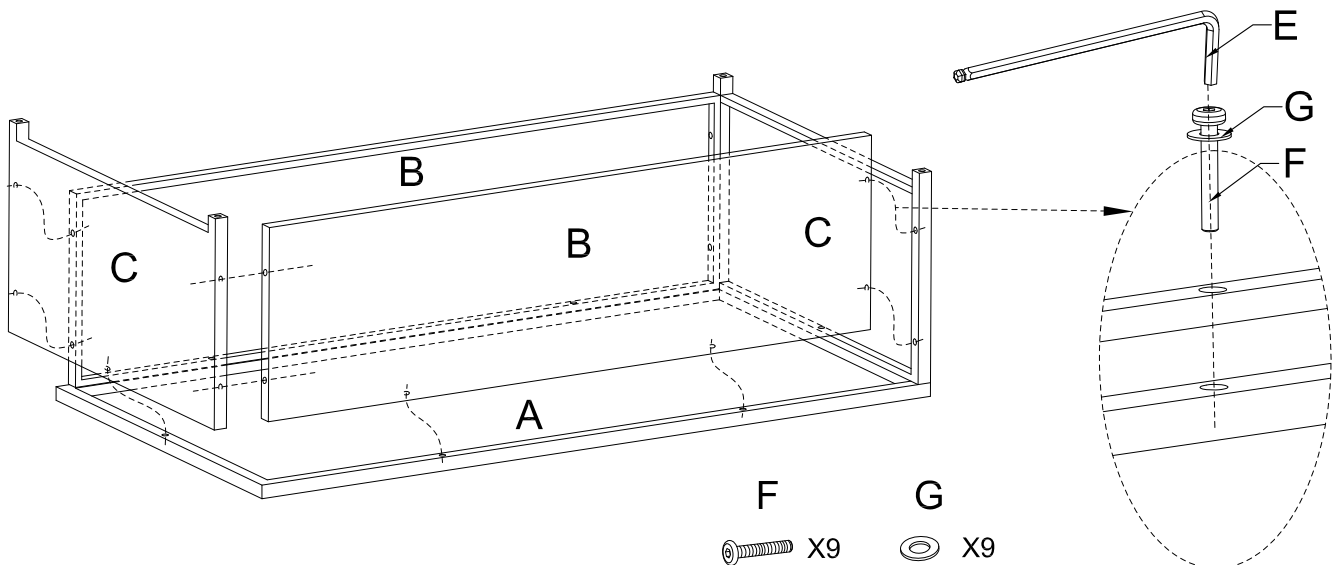
 <p>Allen Key(M6mm)</p>		 <p>Bolt(M6mm*30mm)</p>	
E	1pc	F	14pcs
 <p>Washer(M6mm)</p>		 <p>Adjustable Leveler</p>	
G	14pcs	H	4pcs

Step 1. Lay wicker Top (A) on a flat surface with underside facing up. Attach 1PC of Side Panel(B) to Top (A), 1PC of End Panel (C) to Side Panel (B) & Top (A) using Bolts(F), Washers(G) and Allen Key (E).

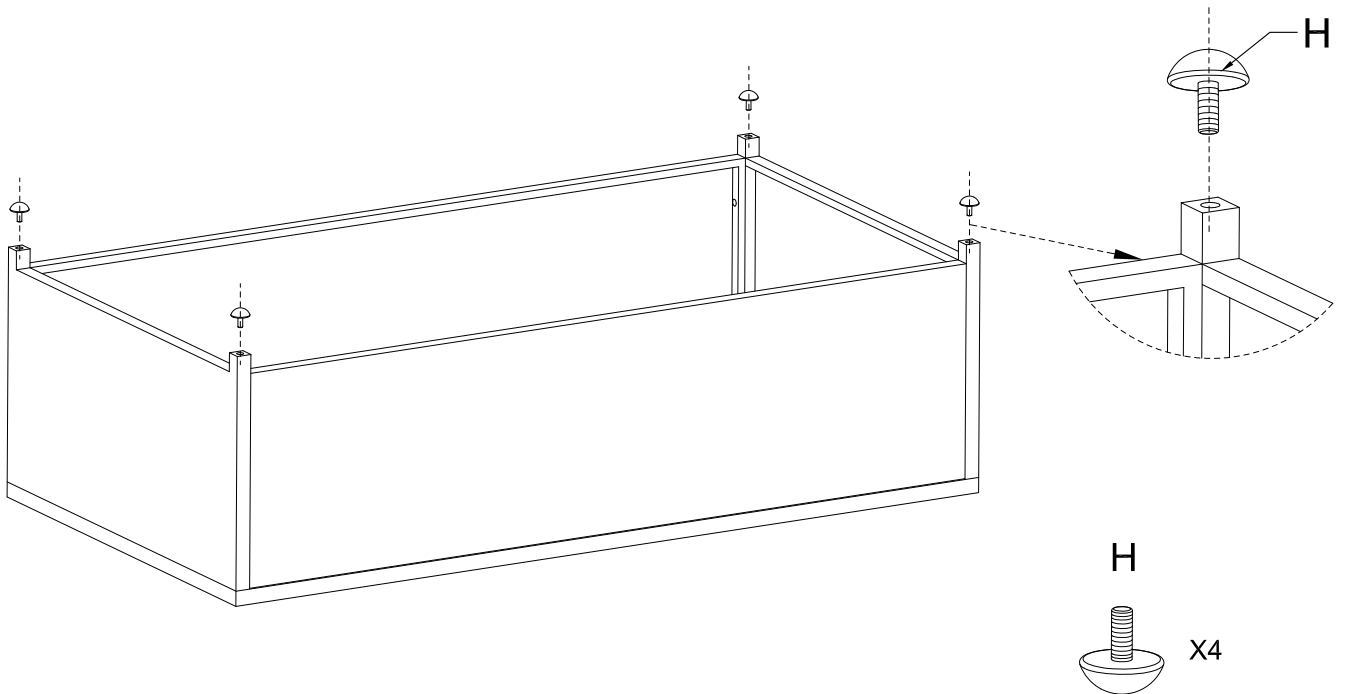
NOTE: Do not fully tighten bolt until all bolts are in place.



Step 2. Repeat Step 1 to attach 1pc of Side Panel(B) to Top (A), 1pc of End Panel (C) to Side Panel (B) & Top (A)



Step 3. Screw the Adjustable Levelers (H) into the pre-drilled holes, to the desired position, on the bottom of the table.



Step 4. Turn the table upright and place the glass on the table top.

