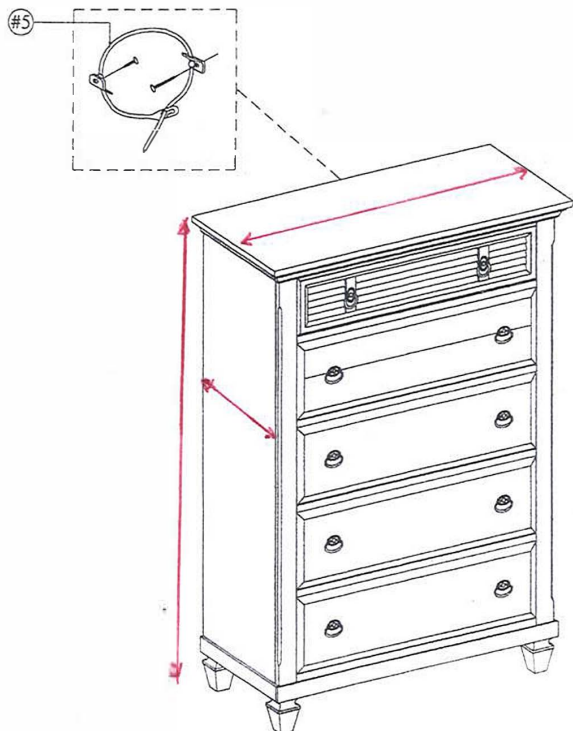


ASSEMBLY INSTRUCTION

DESCRIPTION : Drawer Chest

Thank you for purchasing this quality product. Be sure to check all packing material carefully for small Hardware which may have come loose inside the carton during shipment. Identify and count all Hardware and compare with the Hardware List below.



PART LIST

No.	Descriptions	Qty
A	Chest of Drawer	1 Pc
B	Leg	4 Pcs

HARDWARE LIST

NO.	Description	Qty.
#1	JCBC Screw 5/16" x 45mm	8 Pcs
#2	Spring Washer 5/16"	8 Pcs
#3	Flat Washer 5/16" x 19 x 1mm	8 Pcs
#4	Allen Key M4	1 Pc
#5	Tipping Restraint	1 Set

