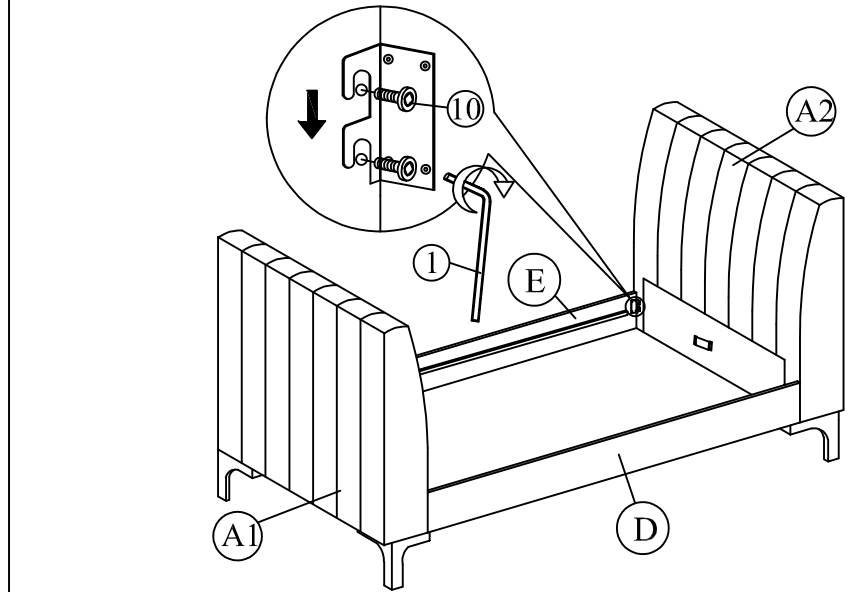
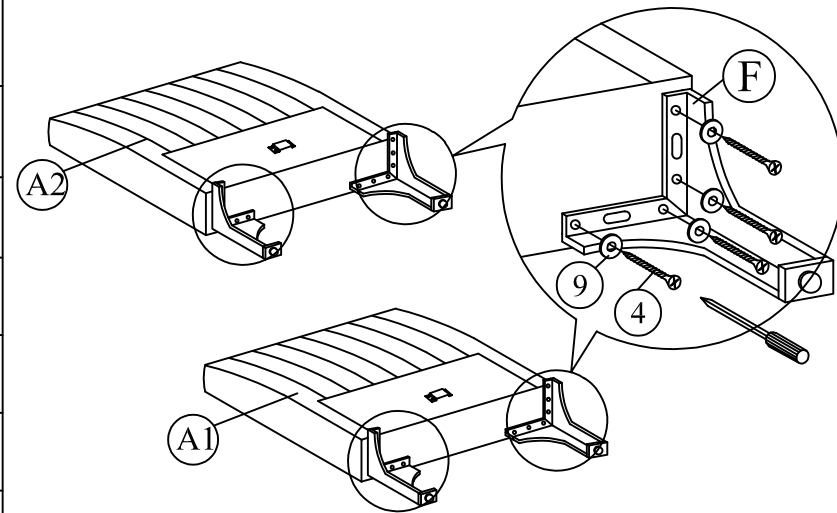


# ASSEMBLY INSTRUCTION

Step 1 : Tighten the leg (F) to arm (A).

Step 2 : Attach side rail (D) & (E) to arm (A) by pushing the bracket down to fit it.

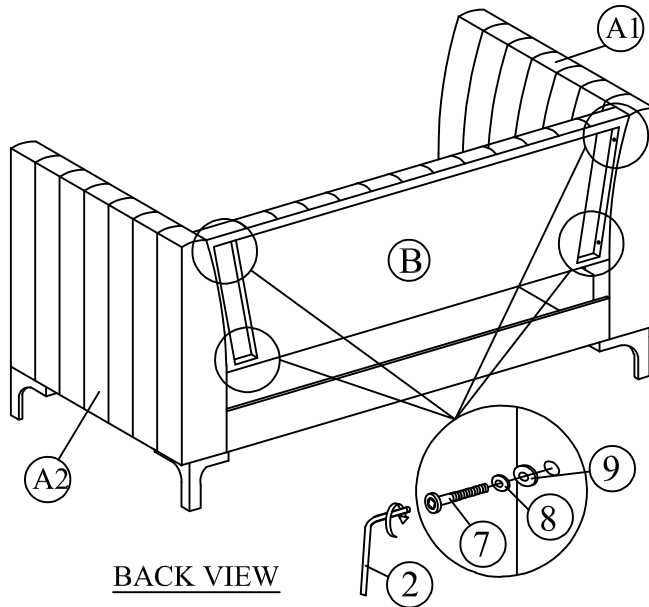
A	Arm	1 pc
B	Back Panel	1 pc
C	Slat 13 Pcs 1397mm	1 pc
D	Front Side Rail (PU)	1 pc
E	Back Side Rail	1 pc
F	Legs 135(H)	4 pcs
G	Center Rail 1950mm	1 pc
H	Support Leg 215mm	2 pcs



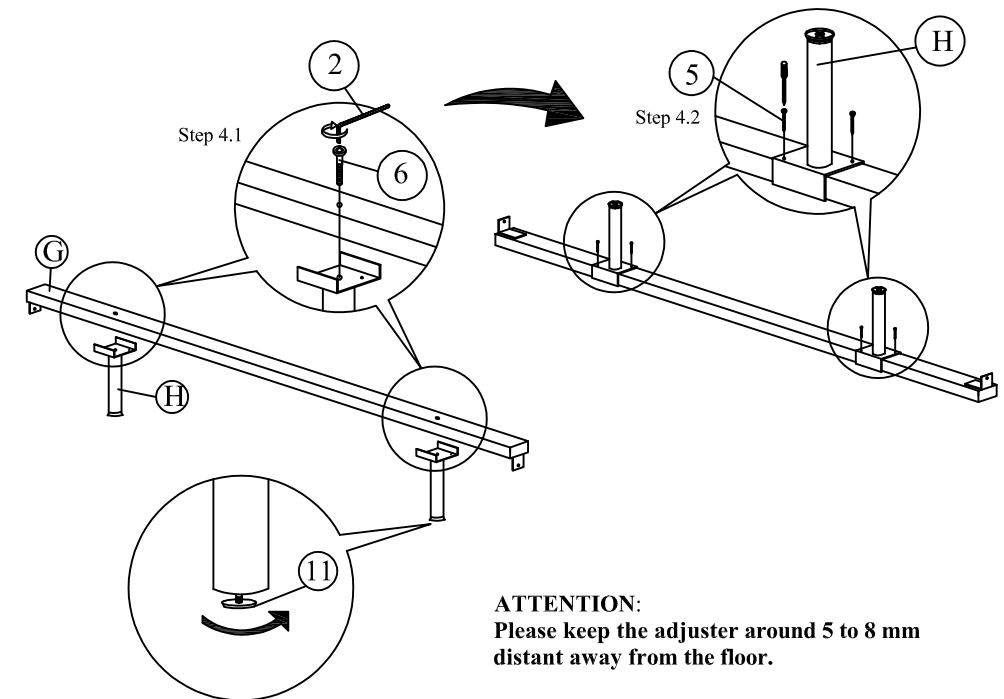
Packing Hardware		
1	M5 x 70 mm	1 pc
2	M4 x 65 mm	1 pc
3	CSK M4 x 32mm	29 pcs
4	CSK M4 x 25mm	18 pcs
5	CSK M4 x 16mm	4 pcs
6	JCBC M6 X 40	2 pcs
7	JCBC M6 X 50	4 pcs
8	SPRING WASHER	4 pcs
9	FLAT WASHER	20 pcs
10	JCBB M8 X 20	8 pcs
11	BIG ADJUSTER	2 pcs

Step 3 : Attach the back panel (B) to arm (A). Attach side rail (D) to arm (A) by pushing the bracket down to fit it. Tighten with Allen Key (2).

Step 4: Attach the support legs (H) to the center rail (G) of the bed as shown.

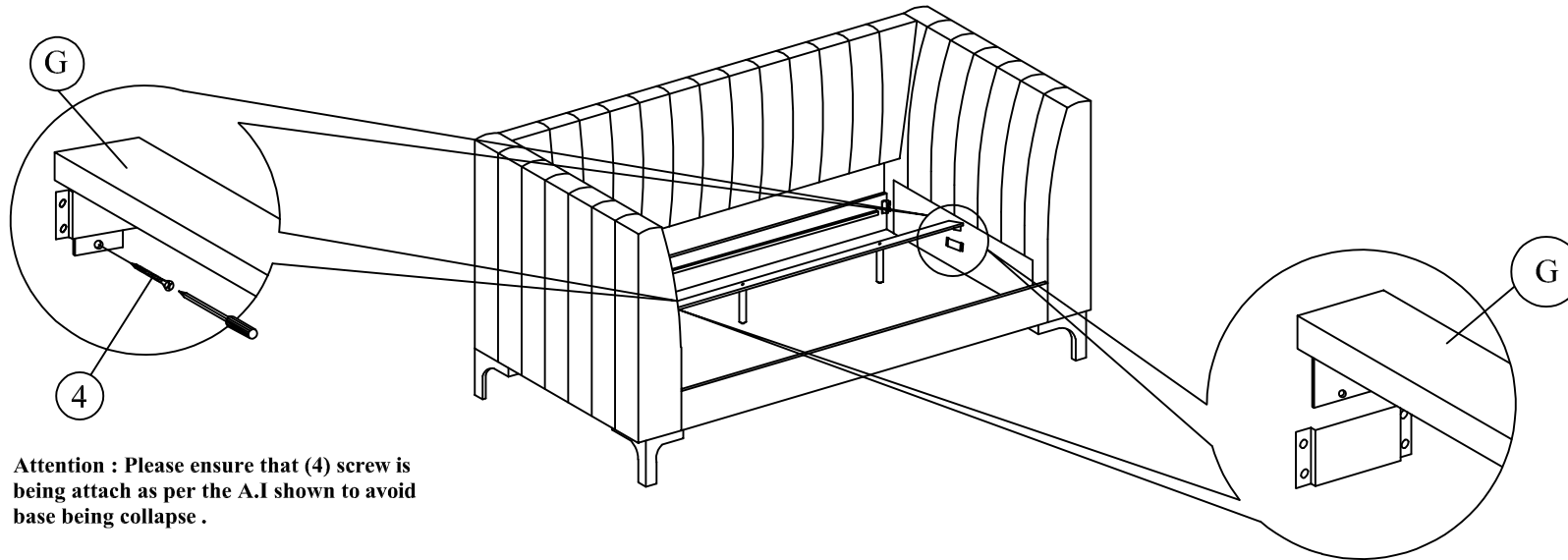


BACK VIEW



**ATTENTION:**  
Please keep the adjuster around 5 to 8 mm distant away from the floor.

Step 5 : Slide the center rail (G) to the arm (A). Tighten screws (4) using screw driver (not included) to the arm (A).



**Attention : Please ensure that (4) screw is being attach as per the A.I shown to avoid base being collapse .**

Step 6 : Tighten the slats with CSK screw (3). The distance of the slats should be sufficient to obtain desirable bed stability. Tighten all the 4 corner.

