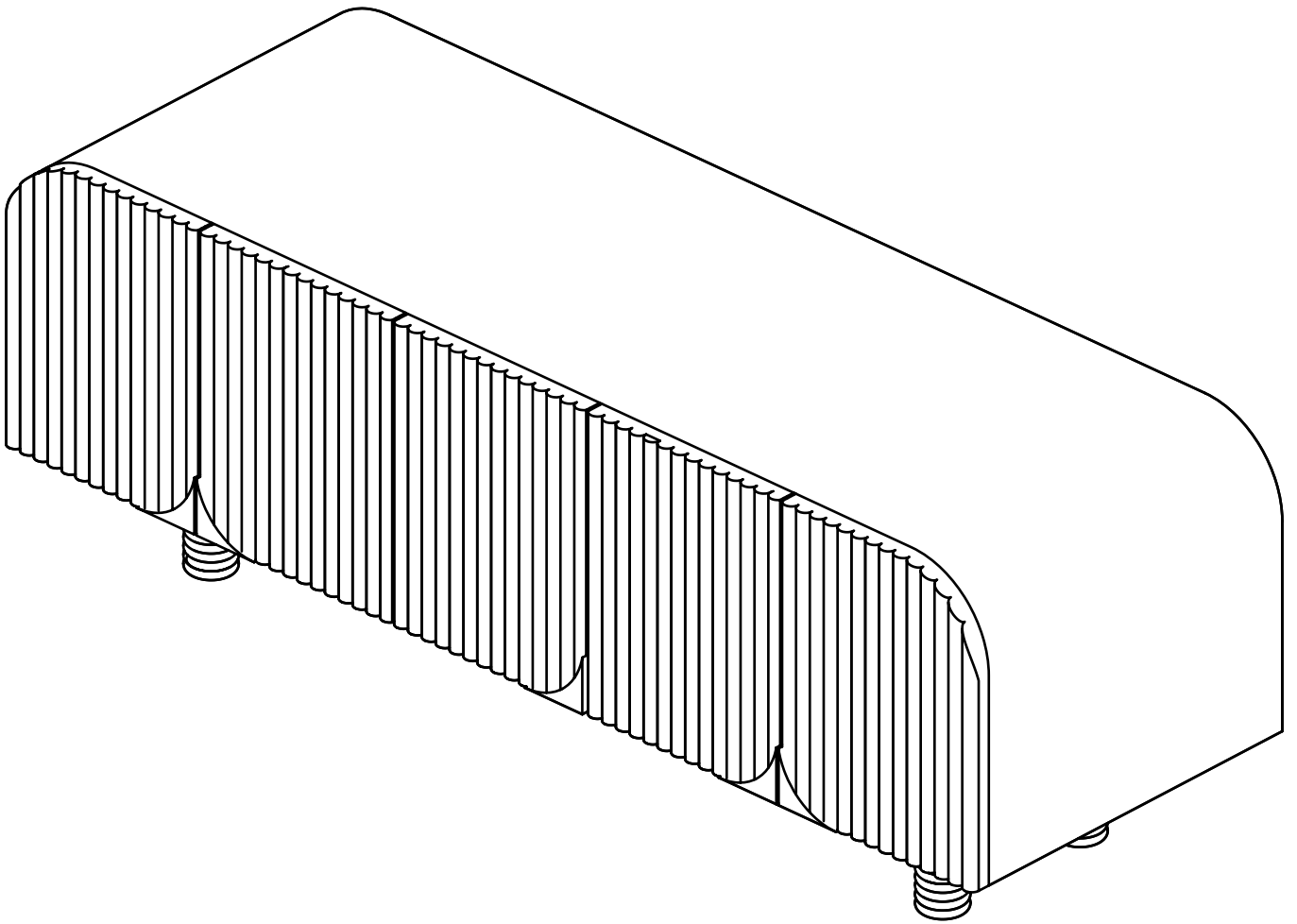



Instruction Book



CABINET

Instruction Book

STEP 1

①		X 16
---	---	------

