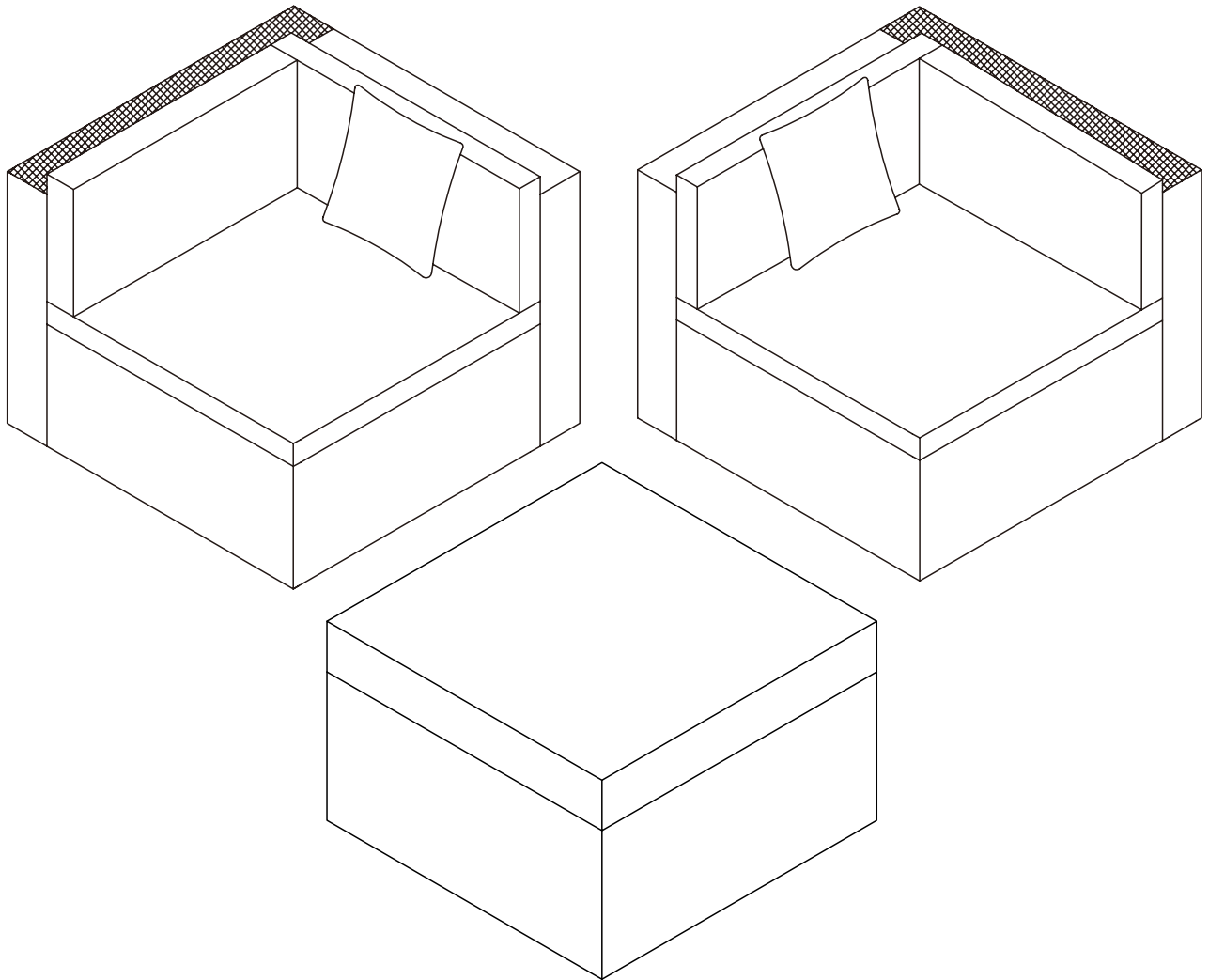


# Corner sofa + Coffee table

DSF6-ZCBZ001

DSF6-ZCBZ002

DSF6-ZCBZ003



## Instruction Manual

Thank you for shopping with us!

If any parts is missing, broken upon receipt or you need any help from us.

For the FASTEST solutions, please FIRSTLY CONTACT US at our

after-sales email: **CSsince1987@hotmail.com!**

# **IMPORTANT**

Follow the instructions for the assembly, daily care and after-sales service!

## 1. Insulate the furniture:

Rattan furniture will go soft because of the heat. To guarantee and extend its service life, it should be put at a place away from the heat.

## 2. Keep away from the direct sunlight:

Strong sunlight will discolorate the rattan and shorten its service life. When in use, it should be kept away from the direct sunlight.

## 3. Avoid contact with water:

Rattan furniture usually has a metal frame for the solidness and sturdiness, but it will get oxidized and corroded because of a contact with the water. So it should avoid the contact with water when being used.

## 4. Clean and maintain the furniture:

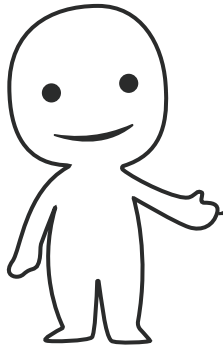
Use a feather duster to clean the dust and dirt on it. For stubborn stain, use the wet towel to wipe it off. Wax the rattan to prevent it from discoloration and keep good-looking.

## 5. Do not allow light source to focus on it:

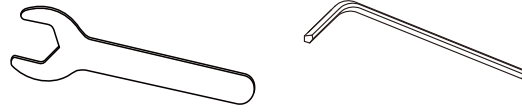
Glasses, mirrors and other items that are easy to gather the light source should not be put at a place where they can project the light source to the furniture.



Note: It's normal for the sponge to appear yellow after taking in air.



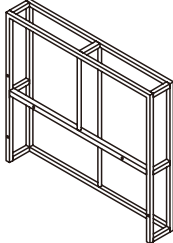
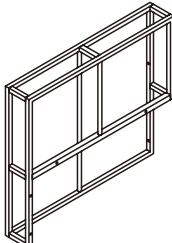
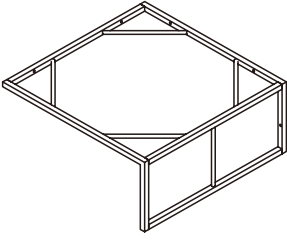
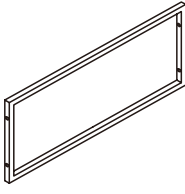
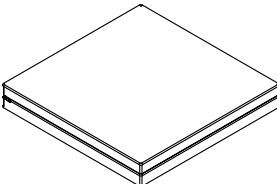
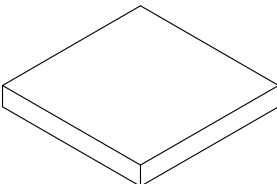
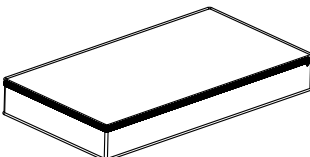
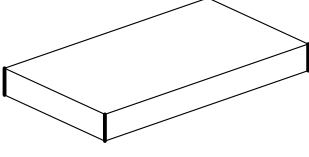
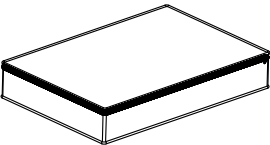
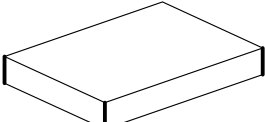
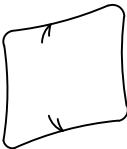
Please prepare the following tools



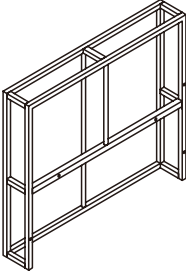
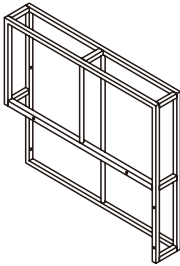
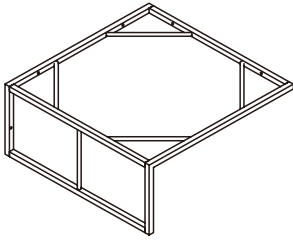
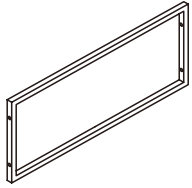
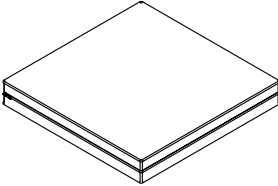
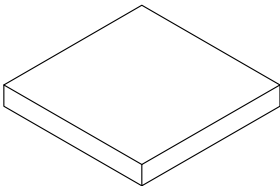
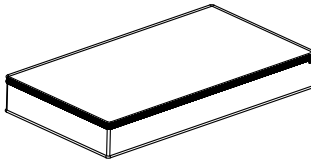
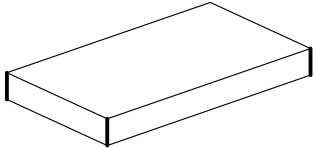
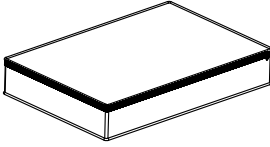
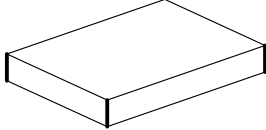

When installing, please carefully confirm whether each screw corresponds to the manual, accessories with similar shapes can be distinguished by size

# Parts list

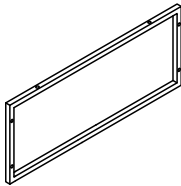
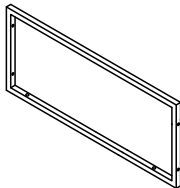
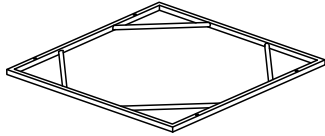
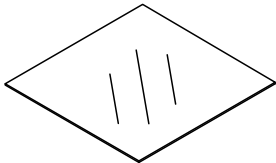
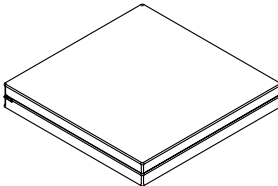
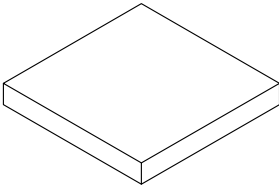
## Left corner sofa

			
(A) Left armrest 1PC	(B) Seat back 1PC	(C) Seat base 1PC	(D) Side panel 1PC
			
(E) Seat cushion cover 1PC	(F) Seat sponge 1PC	(G) Back cushion cover 1PC	(H) Back sponge 1PC
			
(J) Armrest sponge 1PC	(K) Armrest sponge 1PC	(L) Pillow 1PC	

# Right corner sofa

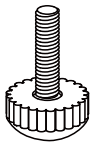
			
(A1) Right armrest 1PC	(B1) Seat back 1PC	(C1) Seat base 1PC	(D) Side panel 1PC
			
(E) Seat cushion cover 1PC	(F) Seat sponge 1PC	(G) Back cushion cover 1PC	(H) Back sponge 1PC
			
(J) Armrest cushion cover 1PC	(K) Armrest sponge 1PC	(L) Pillow 1PC	

# Coffee table

			
(A4) Side panel 2PCS	(B4) Front&Back panel 2PCS	(C4) Table top 1PC	(I) Glass top 1PC
			
(E) Seat cushion cover 1PC	(F) Seat sponge 1PC		

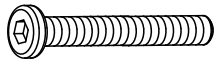
# Hardware list

① x 12



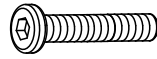
Adjustable screw foot

② x 16



M6 x 55 mm

③ x 18



M6 x 35 mm

④ x 16



M6

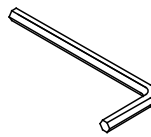
⑤ x 50



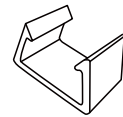
⑥ x 1



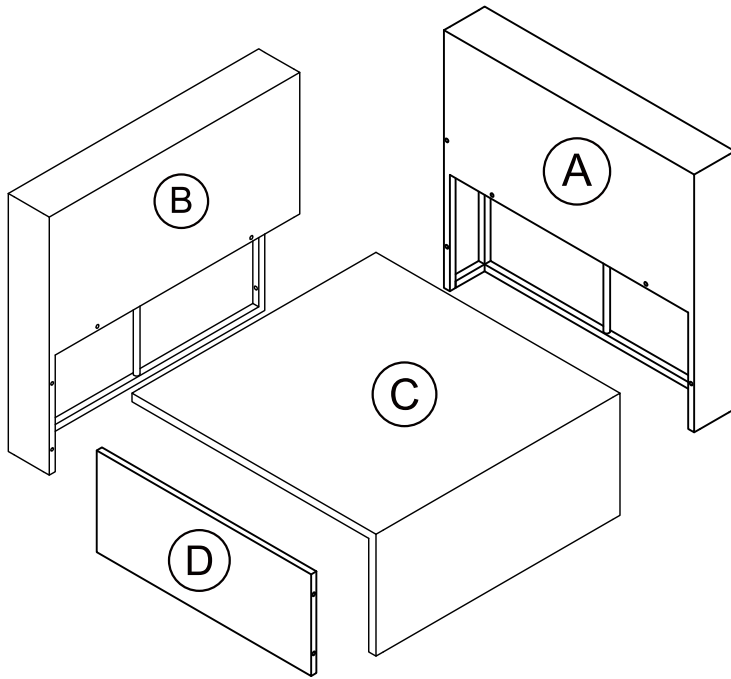
⑦ x 1



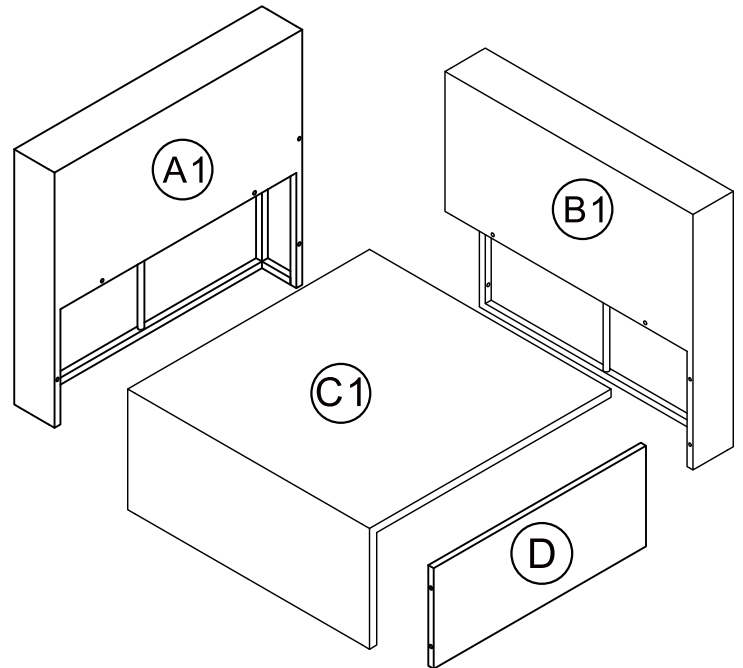
○ x 4



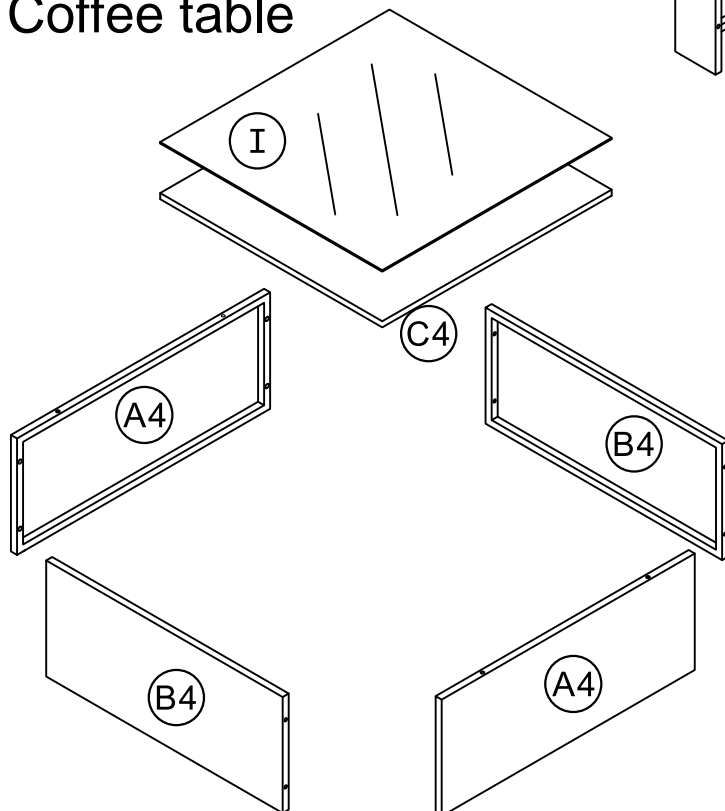
# Left corner sofa



# Right corner sofa









# Coffee table



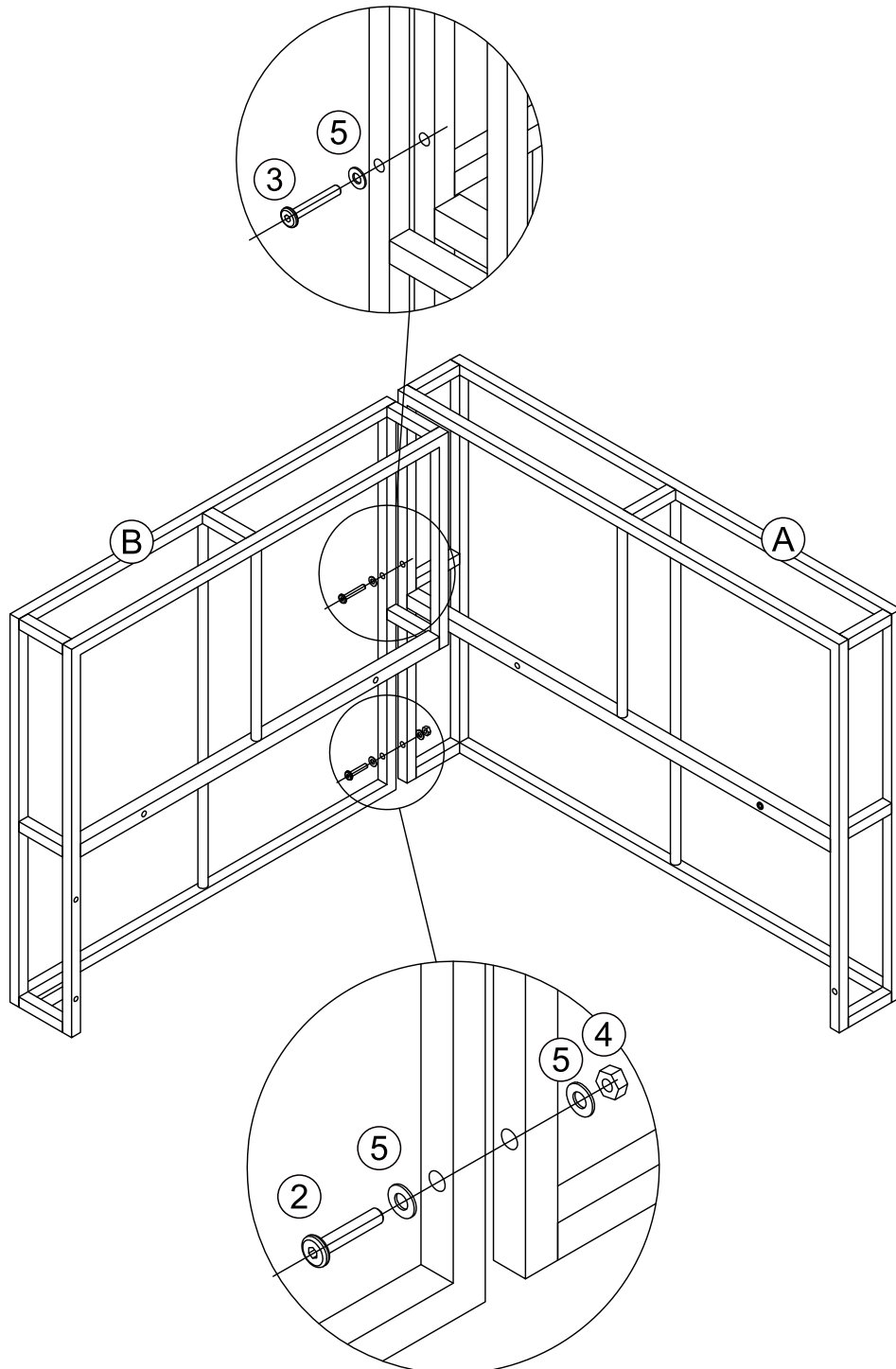
# LEFT CORNER SOFA

## STEP 1






② x 1  M6 x 55 mm	③ x 1  M6 x 35 mm	④ x 1 	⑤ x 3 	⑥ x 1 	⑦ x 1 
--	--	--	--	---	--

Fix part B with part A with one M6x55mm Screws (2) and one M6x35mm Screws (3) and nut (4) and Flat Washers (5). Use Allen key (7) and wrench (6).

**DO NOT FULLY TIGHTEN.**

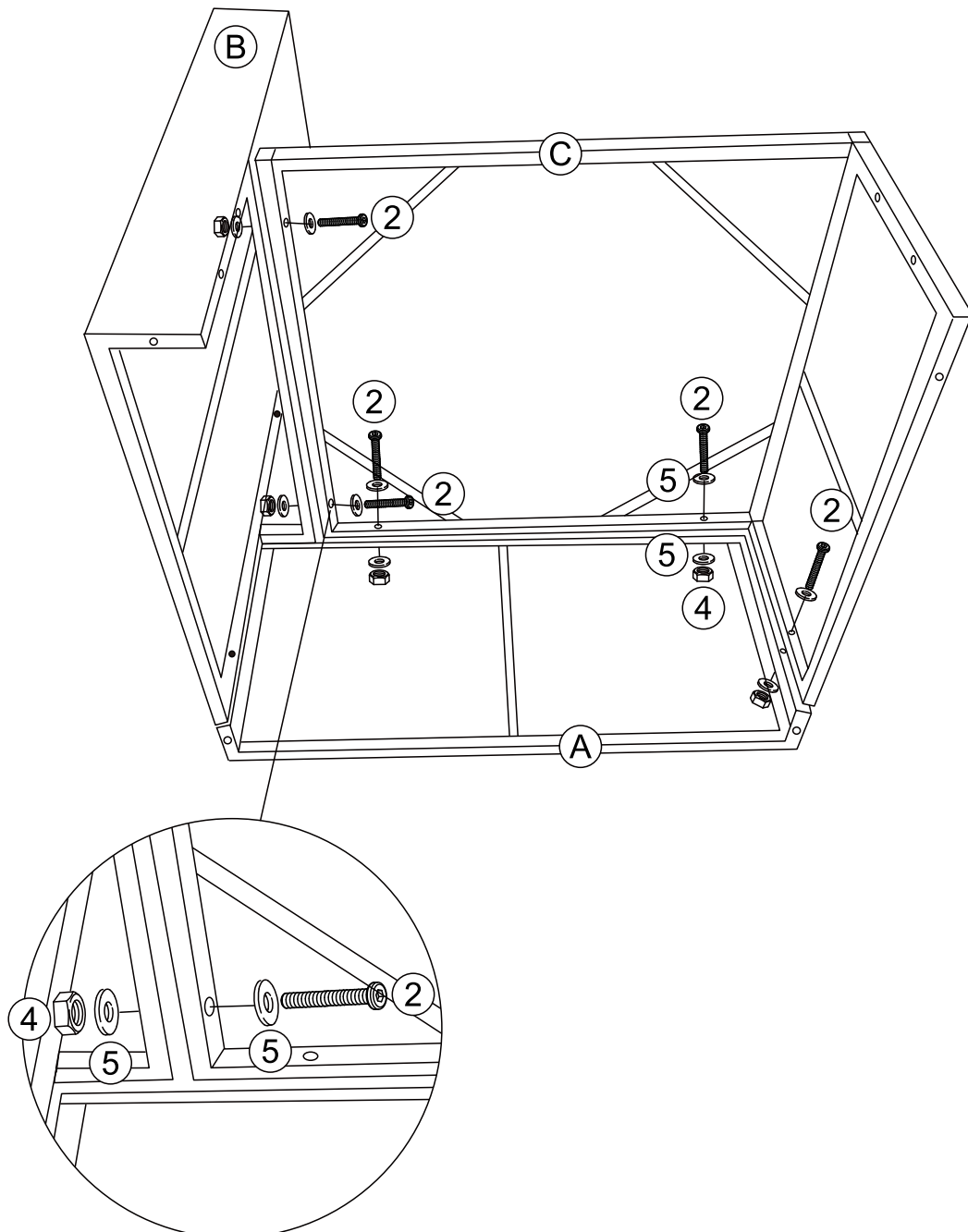


# STEP 2







② x 5  M6 x 55 mm	④ x 5 	⑤ x 10 	⑥ x 1 	⑦ x 1 
--	--	---	--	--

Fix part C with part A and part B with five M6x55mm Screws (2) and nut (4) and Flat Washers (5). Use Allen key (7) and wrench (6).

**DO NOT FULLY TIGHTEN.**

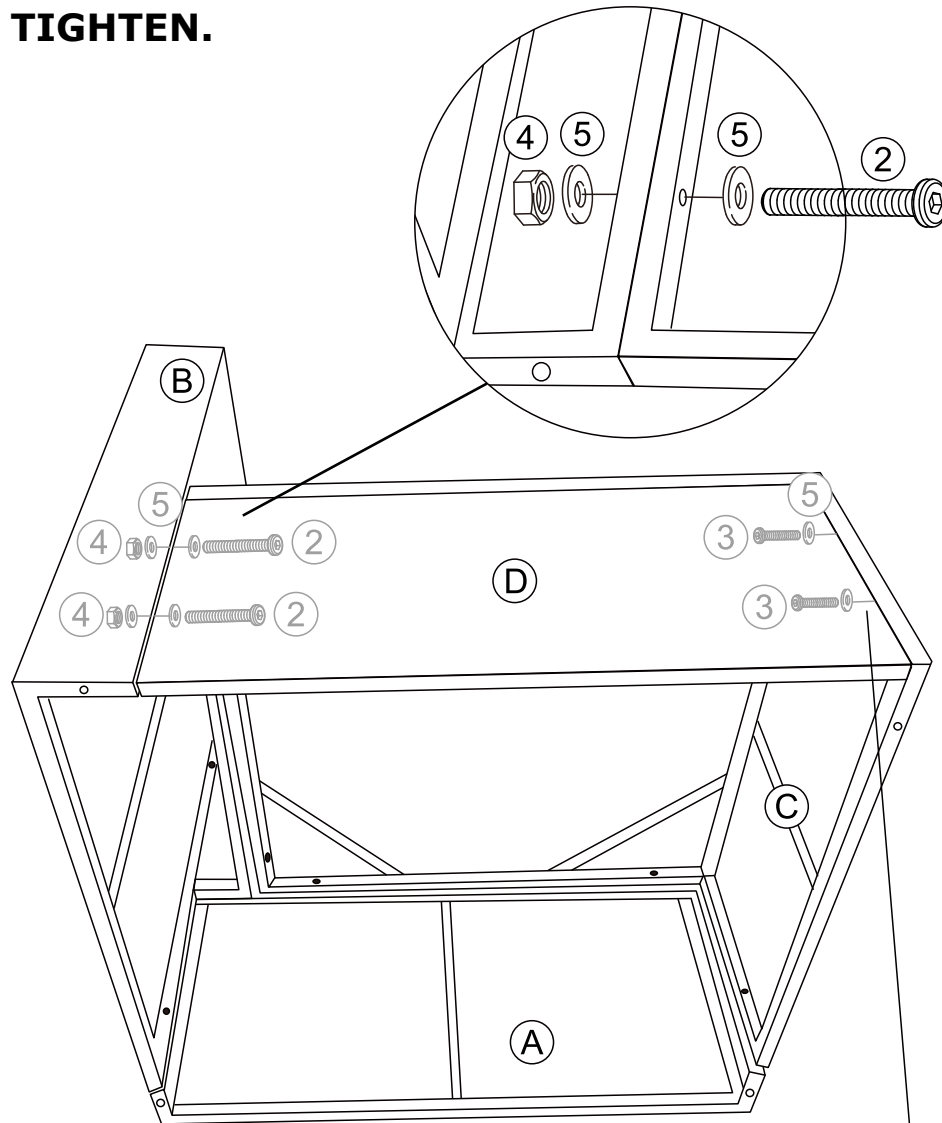


# STEP 3

② x 2  M6 x 55 mm	③ x 2  M6 x 35 mm	④ x 2 	⑤ x 6 	⑥ x 1 	⑦ x 1 
--	--	--	--	---	--

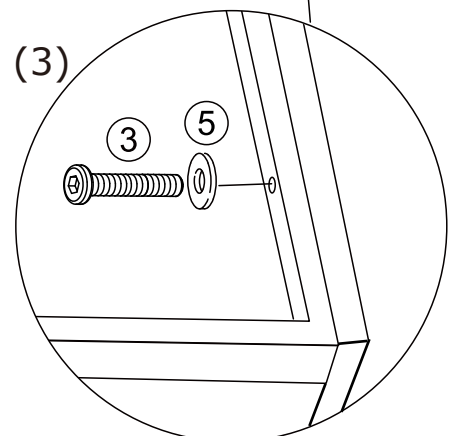
Fix part D with part B with two M6x55mm Screws (2) and nut (4) and Flat Washers (5). Use Allen key (7) and wrench (6).

**DO NOT FULLY TIGHTEN.**

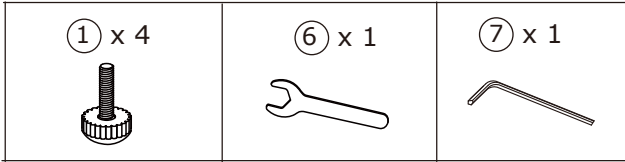


Fix part D with part C with two M6x35mm Screws (3) and Flat Washers (5). Use Allen key (7).

**DO NOT FULLY TIGHTEN.**



# STEP 4

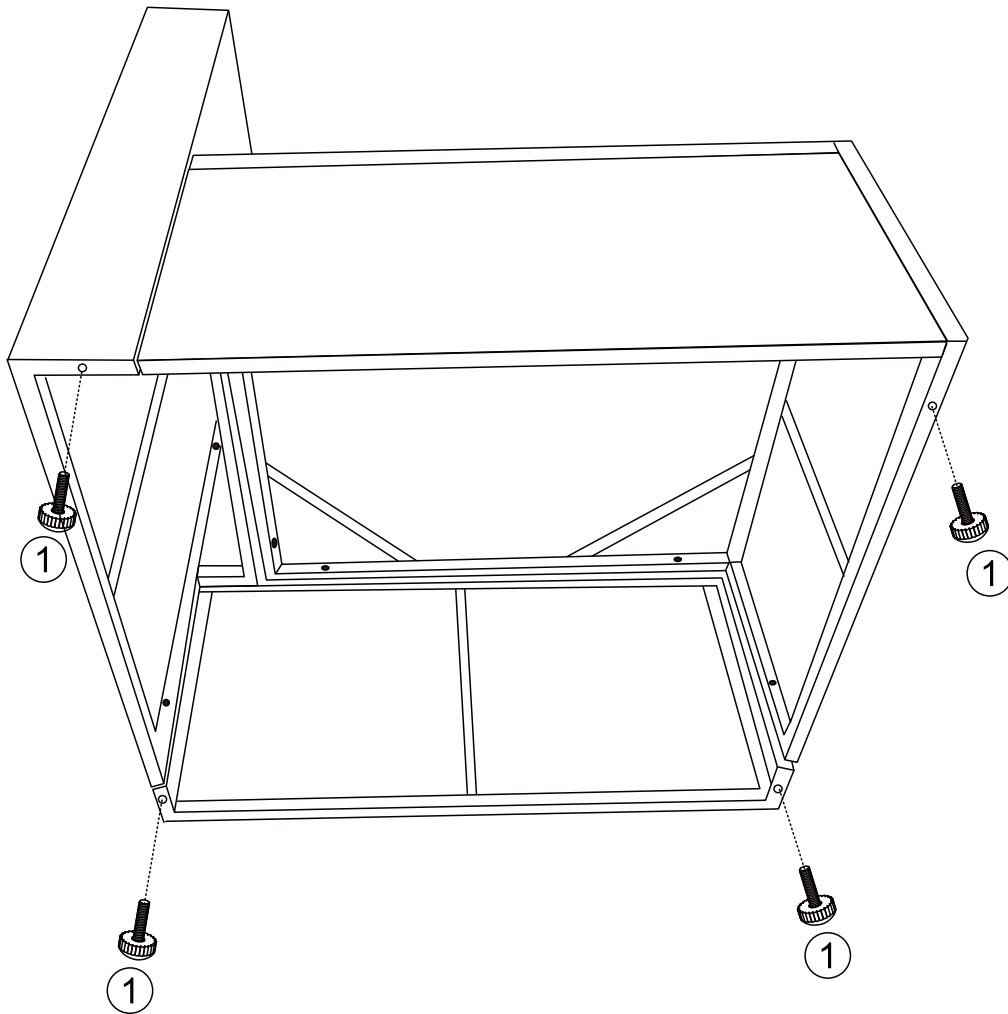


Screw on the adjustable screw feet.

**Adjust alignments and NOW**

**TIGHTEN ALL SCREWS with wrench (6)**

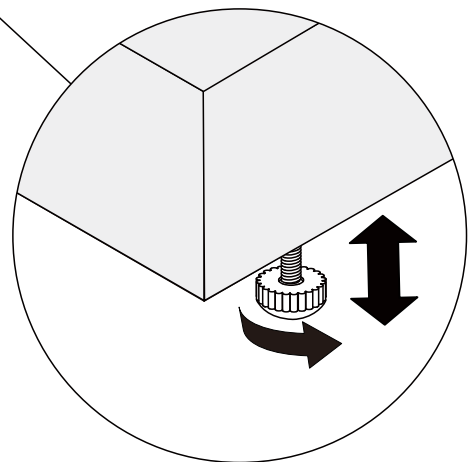
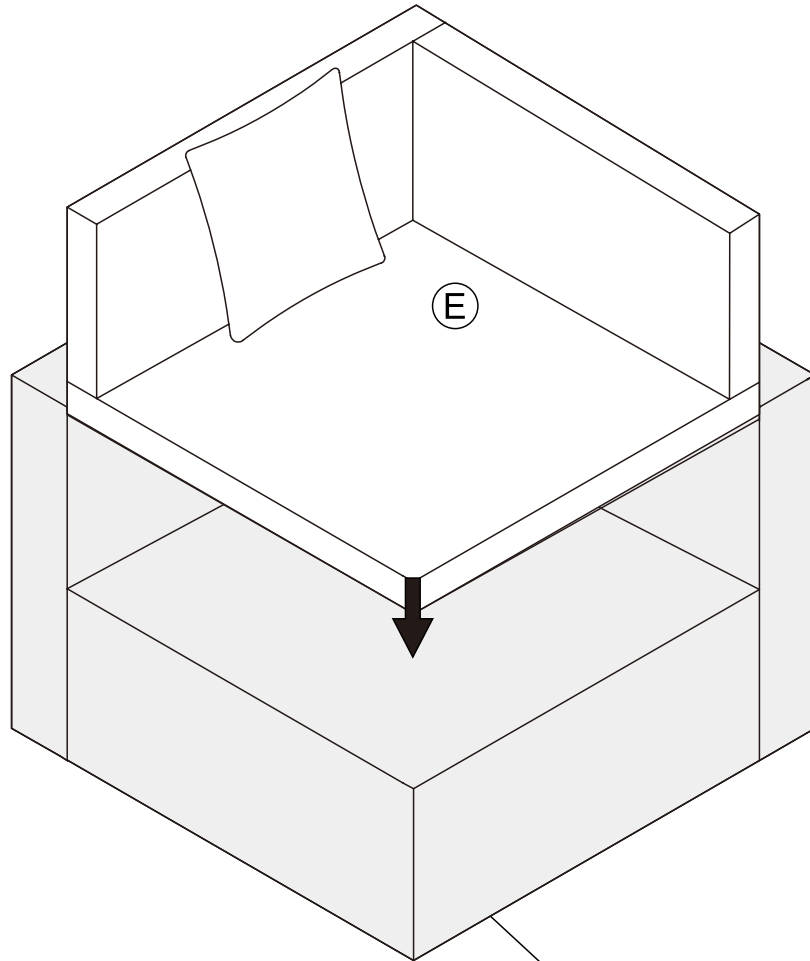
**with Allen key (7).**



Installation Completed

# STEP 5

Put the three cushions and one pillow on.









**Note:** Screw in the adjustable feet to keep the chair balanced.

EN

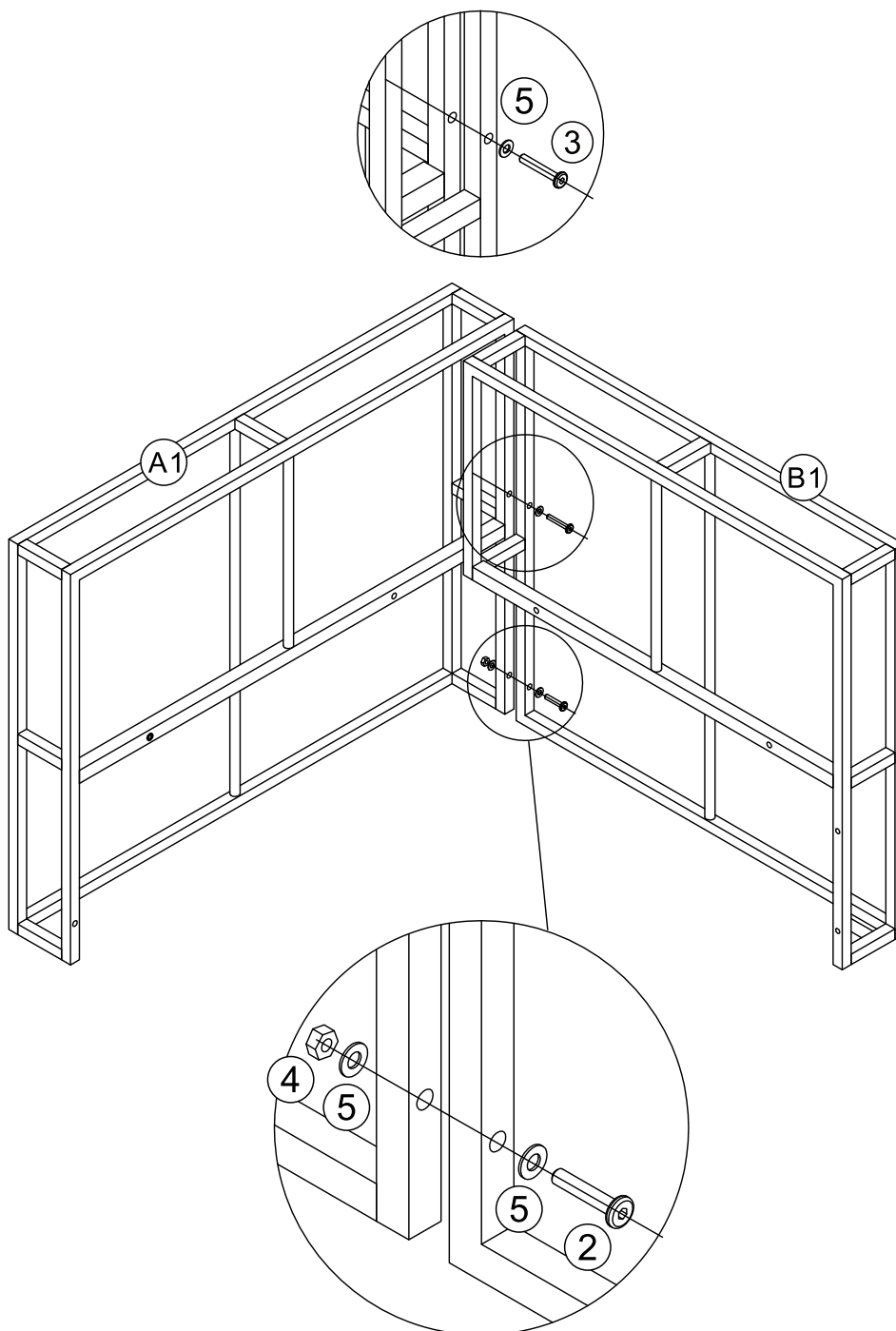
# RIGHT CORNER SOFA

## STEP 6






② x 1  M6 x 55 mm	③ x 1  M6 x 35 mm	④ x 1 	⑤ x 3 	⑥ x 1 	⑦ x 1 
--	--	--	--	--	--

Fix part B1 with part A1 with one M6x55mm Screws (2) and one M6x35mm Screws (3) and nut (4) and Flat Washers (5). Use Allen key (7) and wrench (6).

**DO NOT FULLY TIGHTEN.**

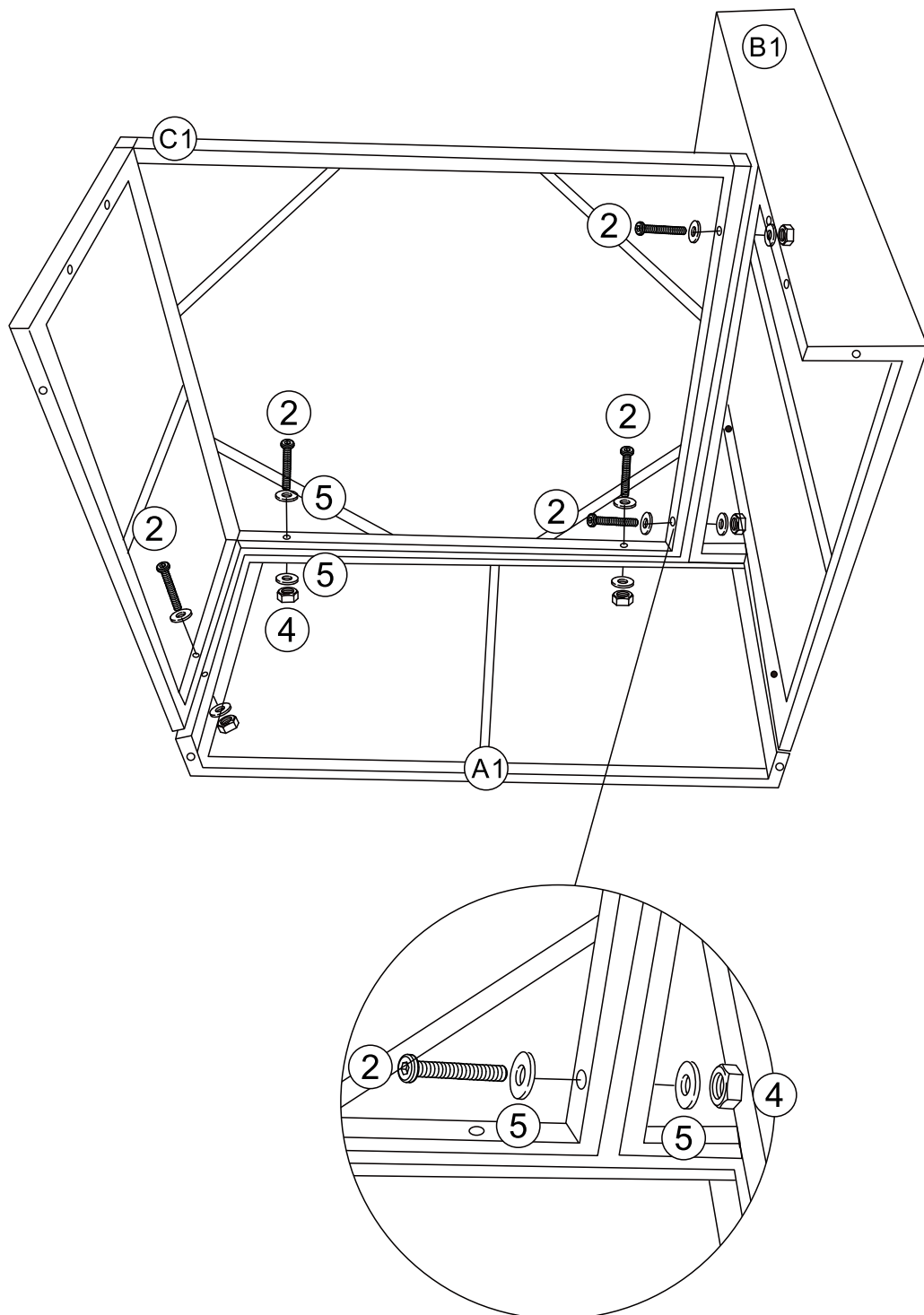


# STEP 7







② x 5  M6 x 55 mm	④ x 5 	⑤ x 10 	⑥ x 1 	⑦ x 1 
--	--	---	--	--

Fix part C1 with part A1 and part B1 with five M6x55mm Screws (2) and nut (4) and Flat Washers (5). Use Allen key (7) and wrench (6).

**DO NOT FULLY TIGHTEN.**

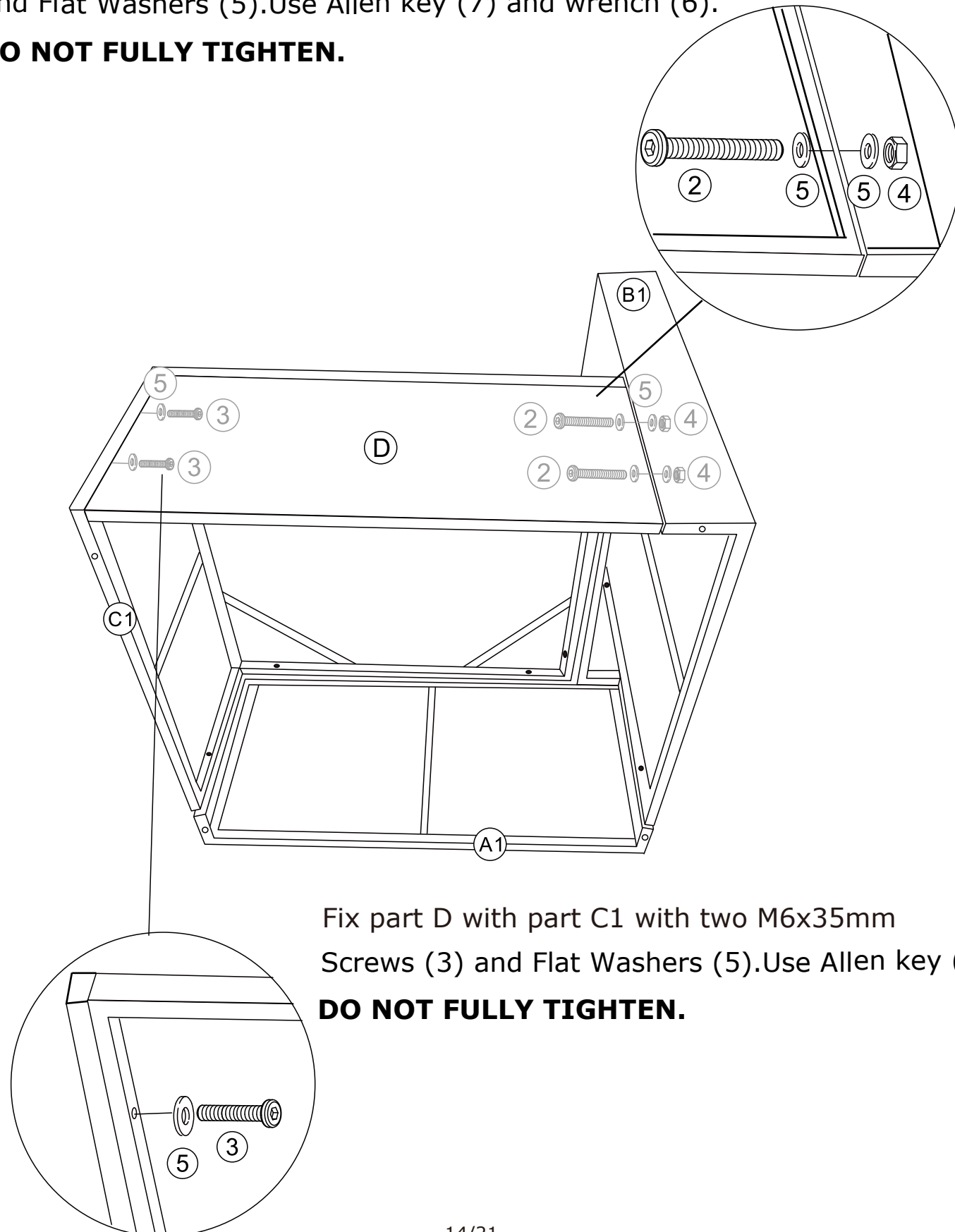


# STEP 8

② x 2  M6 x 55 mm	③ x 2  M6 x 35 mm	④ x 2 	⑤ x 6 	⑥ x 1 	⑦ x 1 
--	--	--	--	---	--

Fix part D with part B1 with two M6x55mm Screws (2) and nut (4) and Flat Washers (5). Use Allen key (7) and wrench (6).

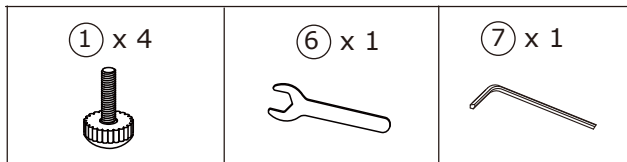
**DO NOT FULLY TIGHTEN.**



Fix part D with part C1 with two M6x35mm Screws (3) and Flat Washers (5). Use Allen key (7).

**DO NOT FULLY TIGHTEN.**

## STEP 9

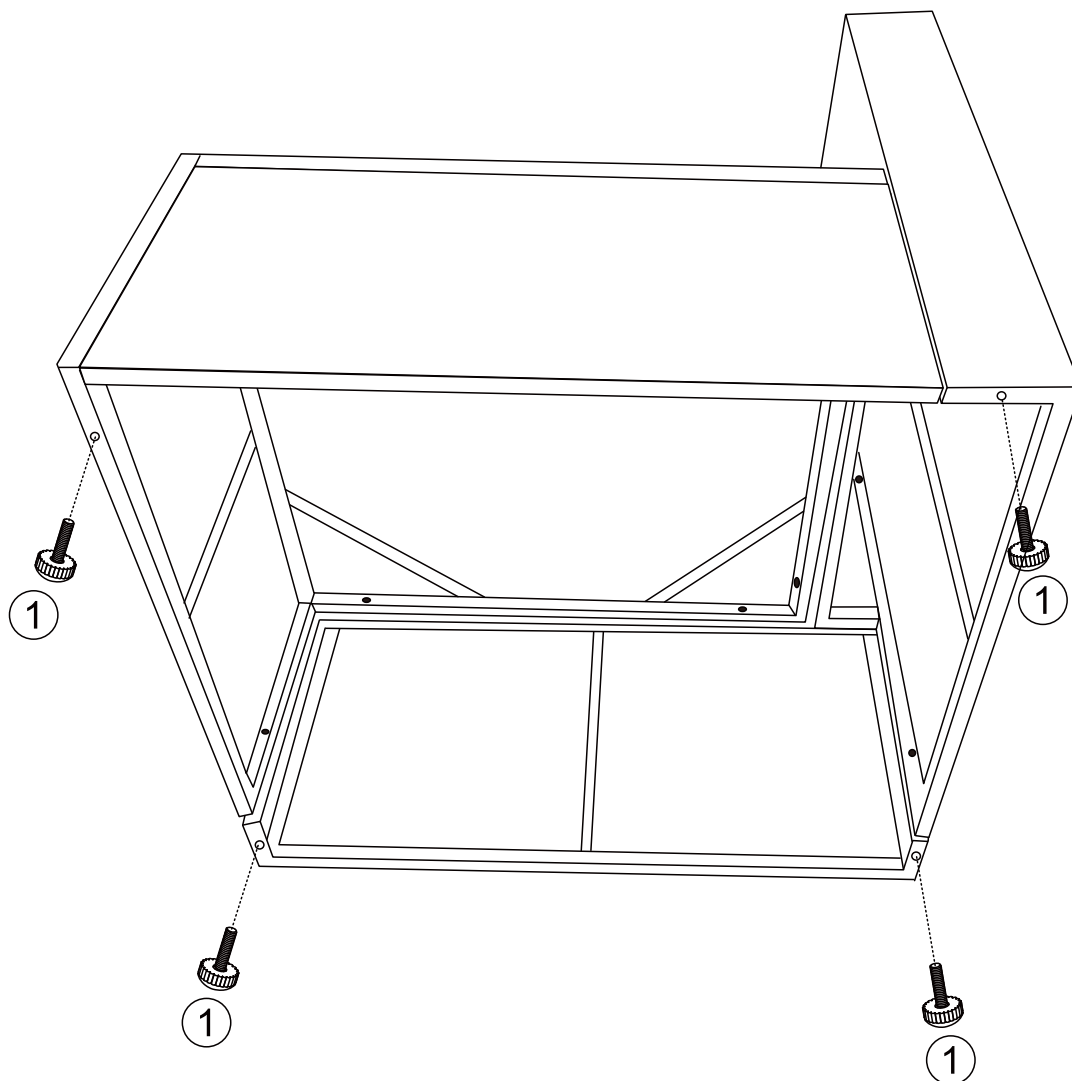


Screw on the adjustable screw feet.

**Adjust alignments and NOW**

**TIGHTEN ALL SCREWS with wrench (6)**

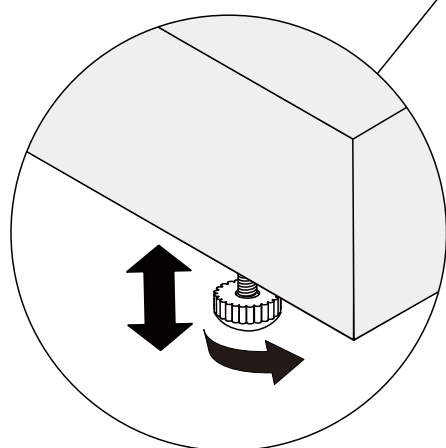
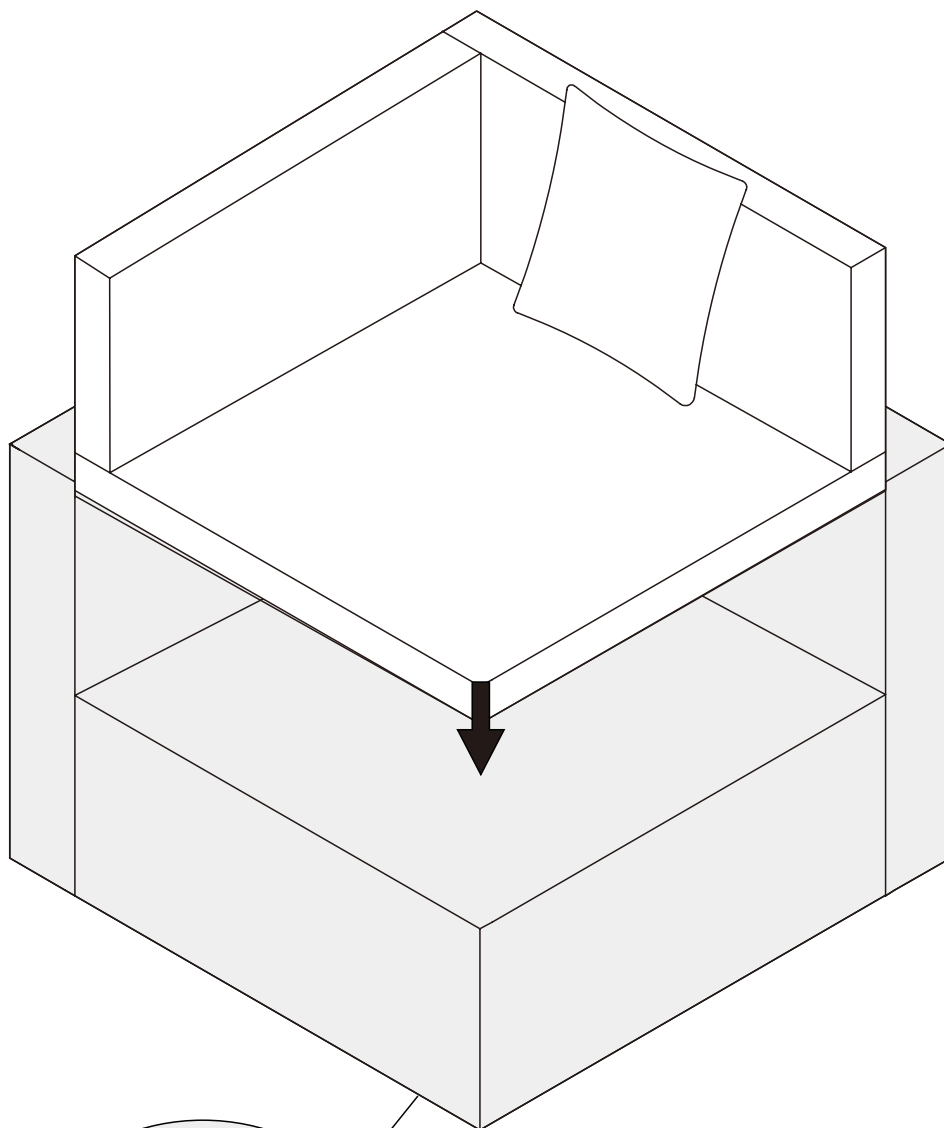
**with Allen key (7).**



Installation Completed

# STEP 10

Put the three cushions and one pillow on.

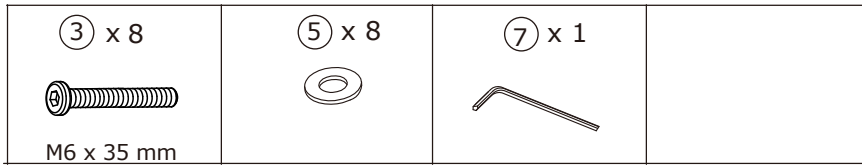


**Note:** Screw in the adjustable feet to keep the chair balanced.

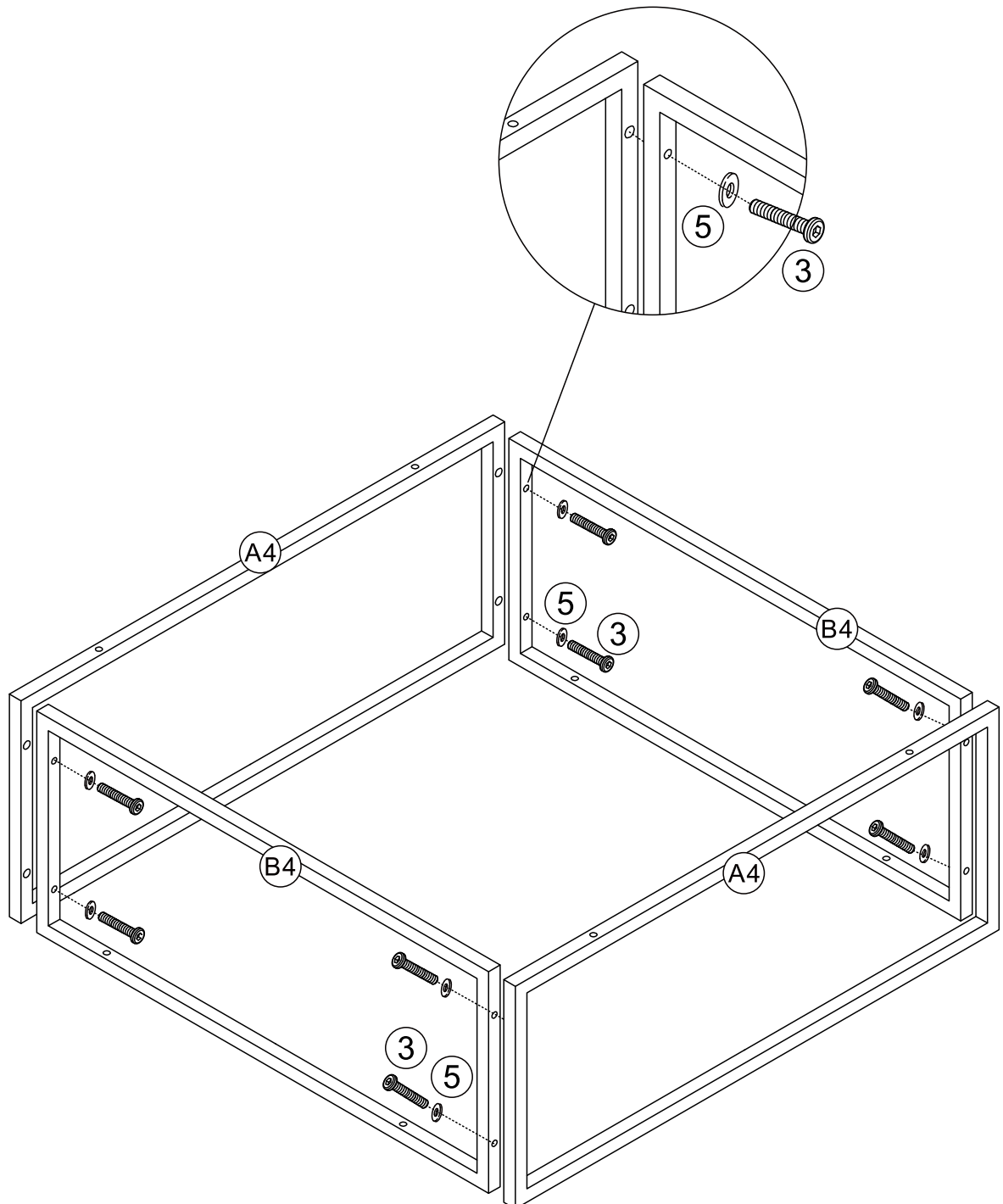
EN

# COFFEE TABLE

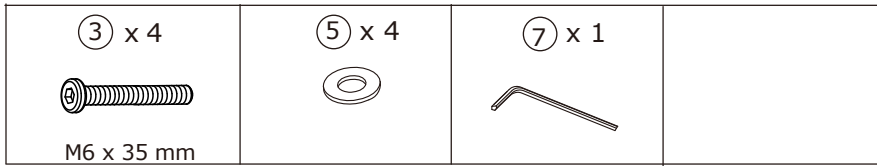
## STEP 11



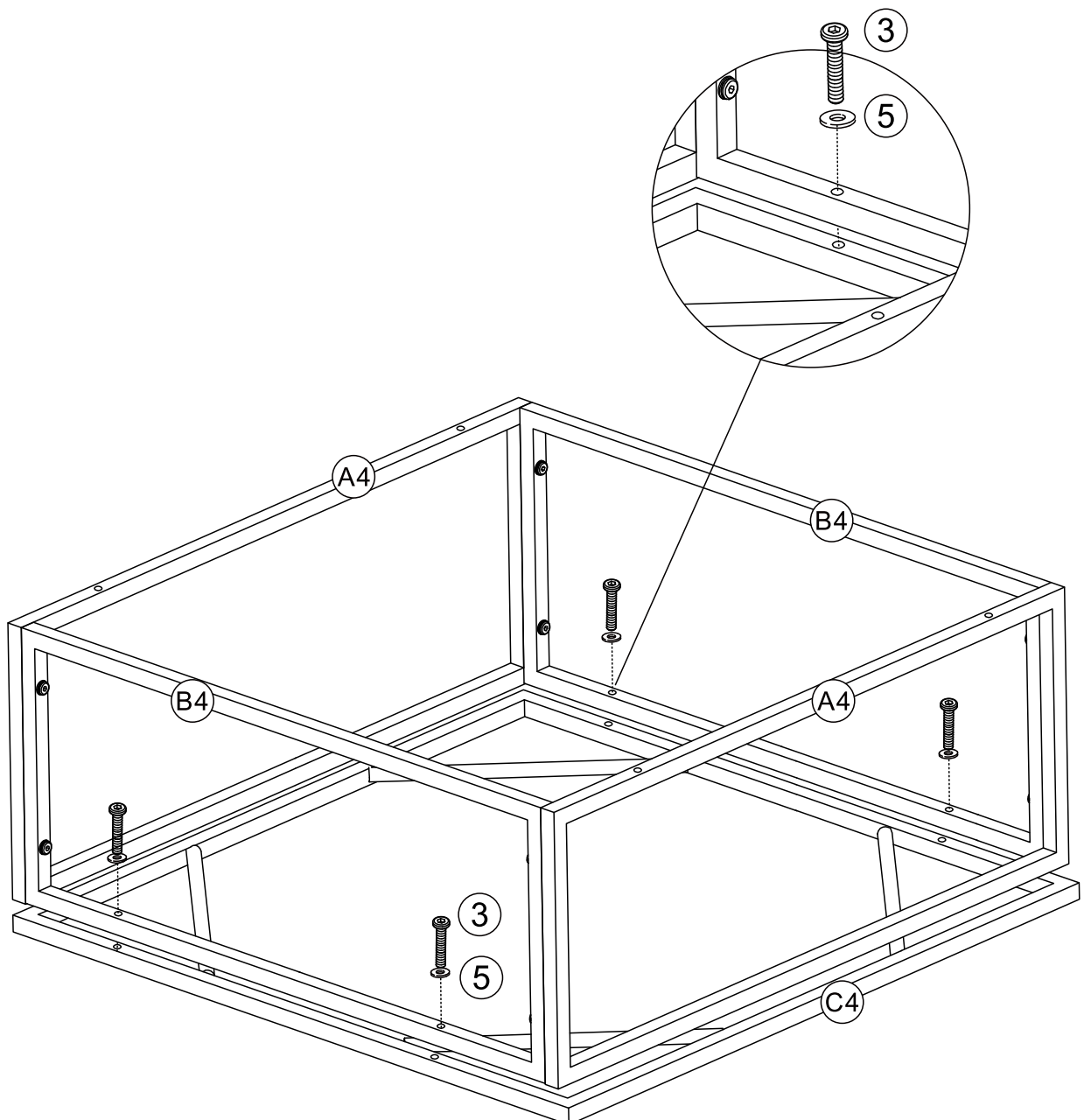
Fix part B4 with part A4 with eight M6x35mm Screws (3) and Flat Washers (5). Use Allen key (7). **DO NOT FULLY TIGHTEN.**



# STEP 12

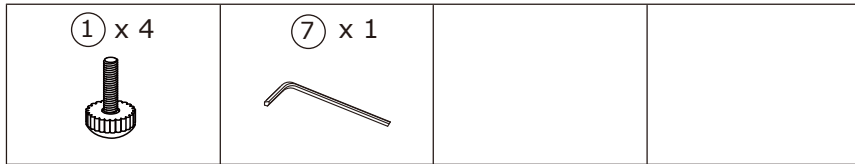


Fix part C4 with part B4 with four M6x35mm Screws (3) and Flat Washers (5). Use Allen key (7). **DO NOT FULLY TIGHTEN.**

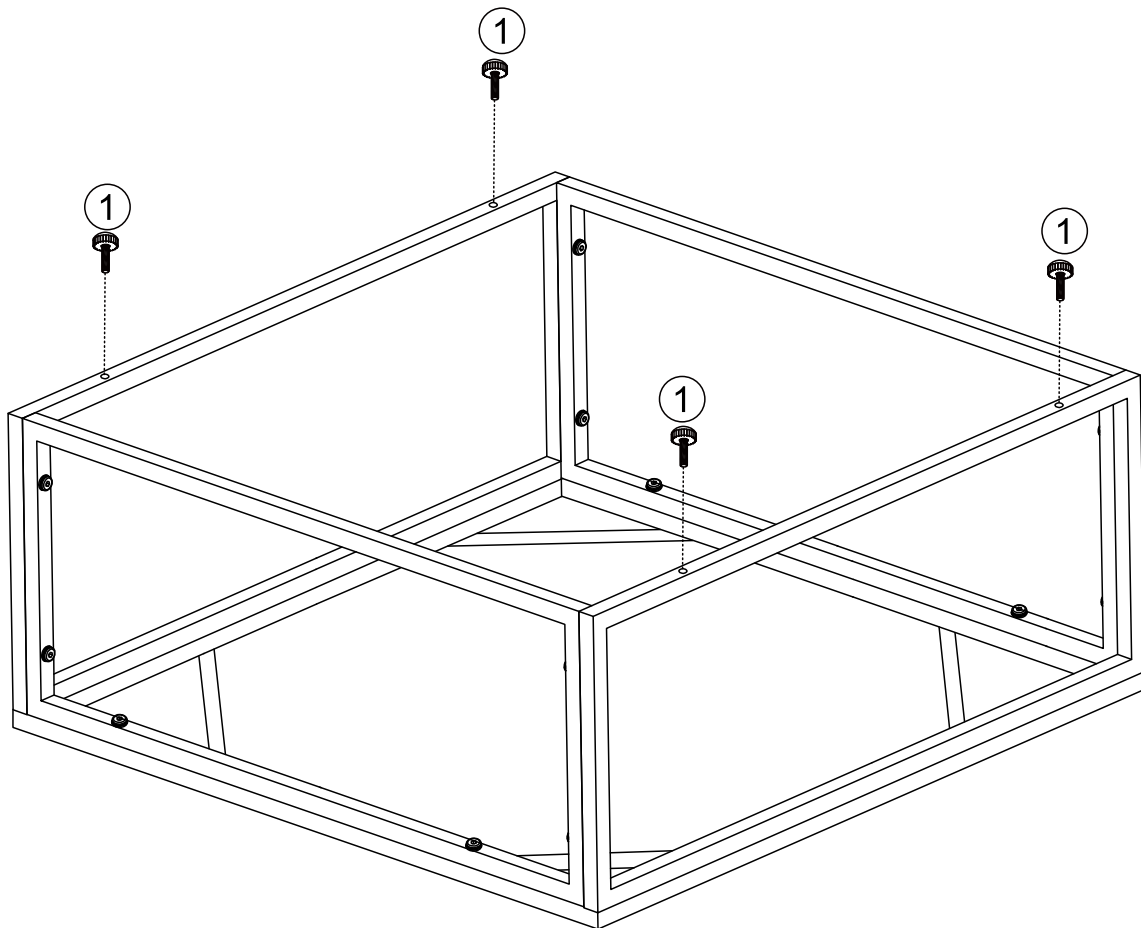


**Adjust alignments and NOW  
TIGHTEN ALL SCREWS with Allen key (7).**

# STEP 13

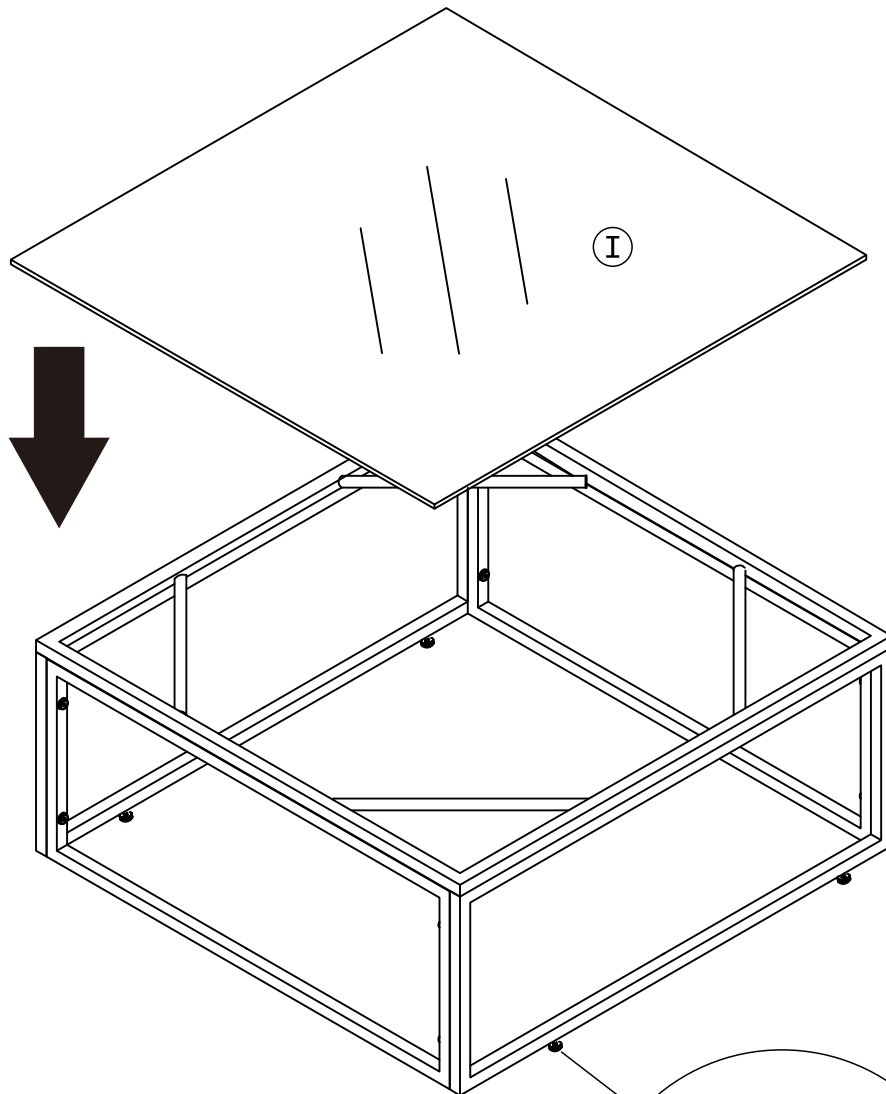


Screw on the adjustable screw feet.



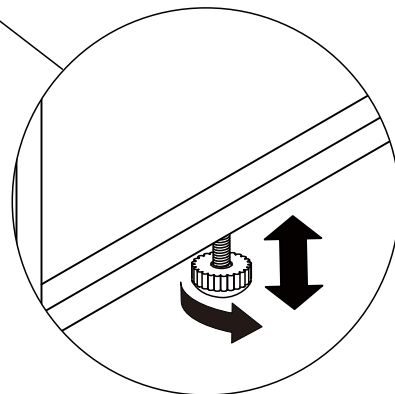
# STEP 14

Put the glass on.



**Note:** Screw in the adjustable feet to keep the table balanced.

EN



Installation Completed

# STEP 15



**Note:** Please use the provided fasteners clip to fix the bottom of adjacent seats. EN

