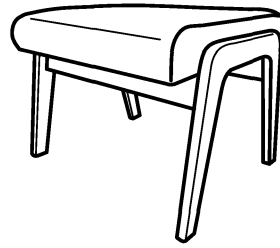
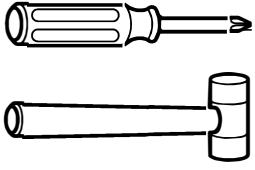


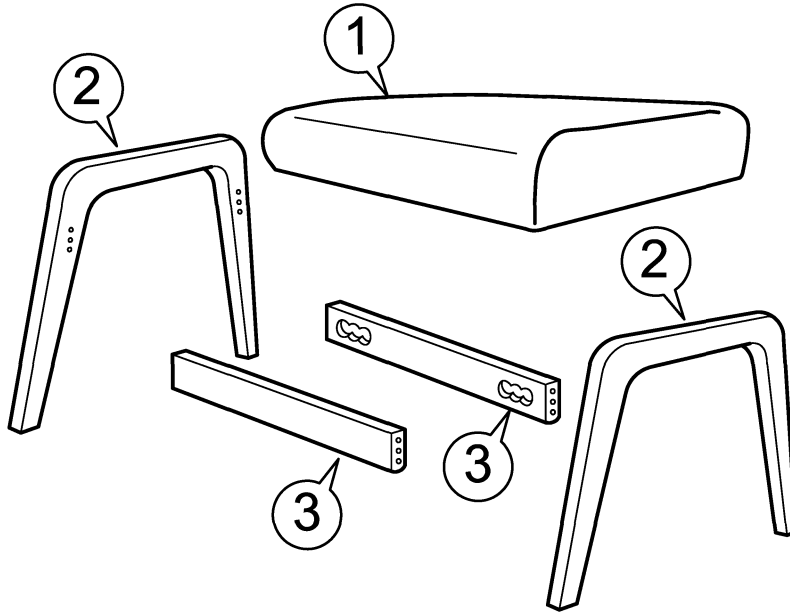
# ASSEMBLY INSTRUCTIONS

# OTTOMAN



Not Provided

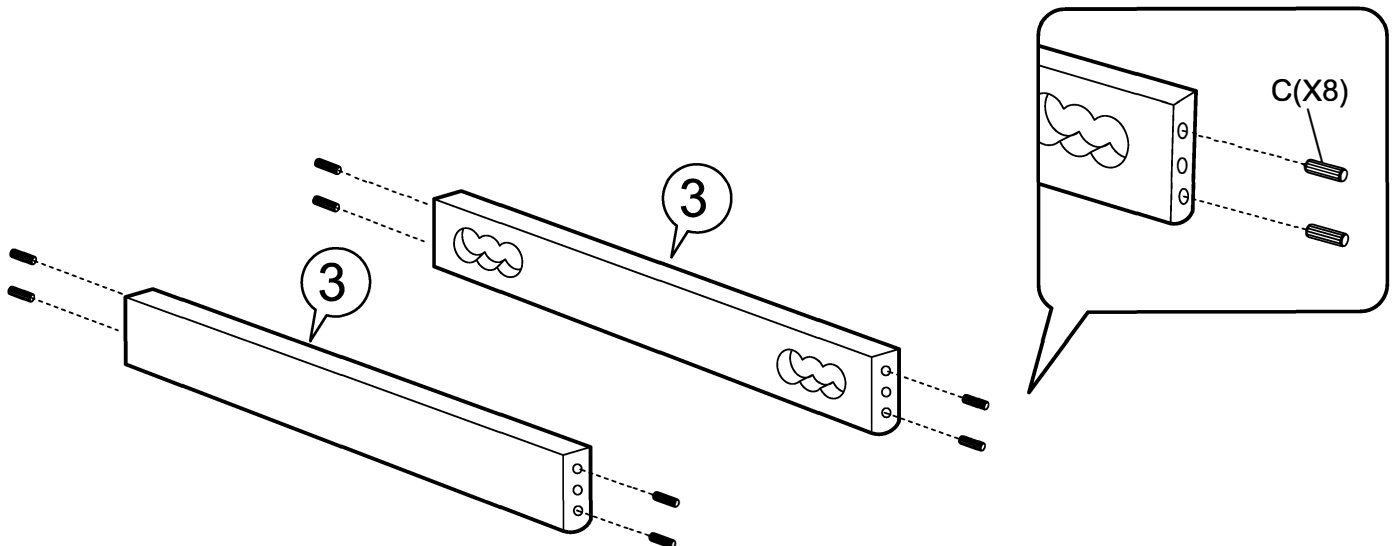
## Part List :



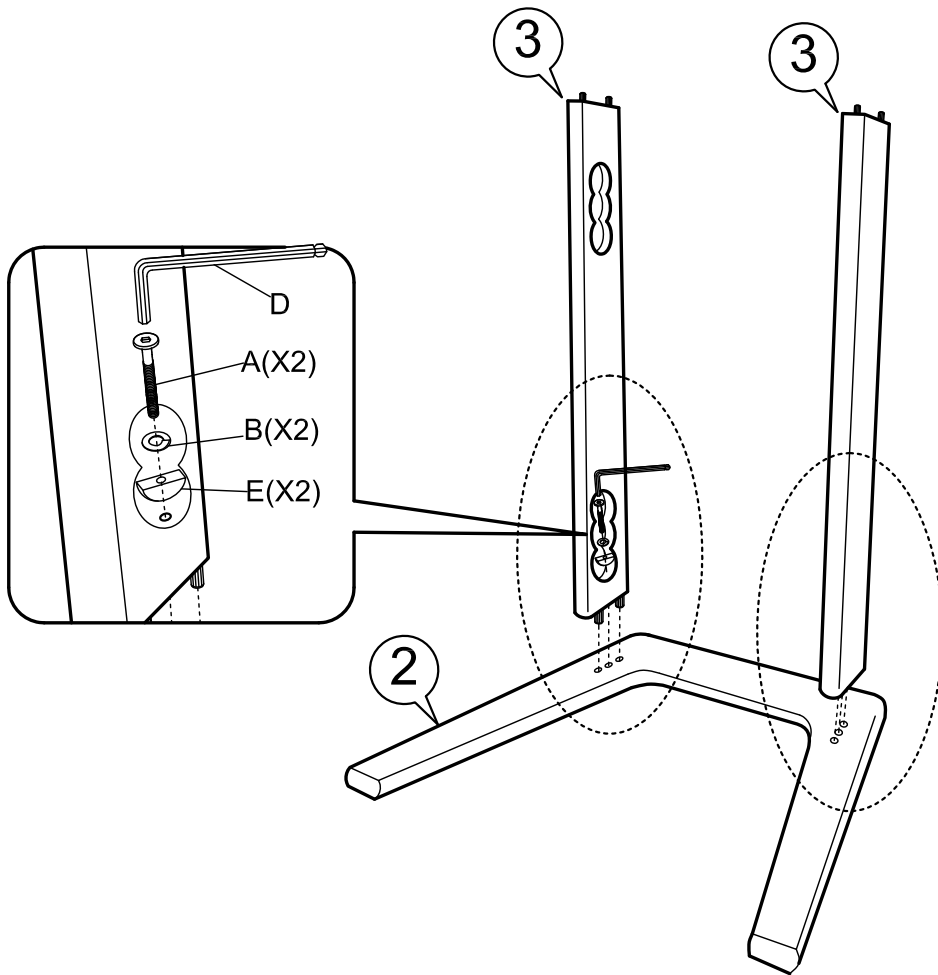
## Hardware List

A	M6 x 70mm = 4	C	M8 x 30mm = 8	E	M8 = 4	G	= 4
B	1/4" = 4	D	M4 x 110mm = 1	F	M4 x 16mm = 8	H	= 4

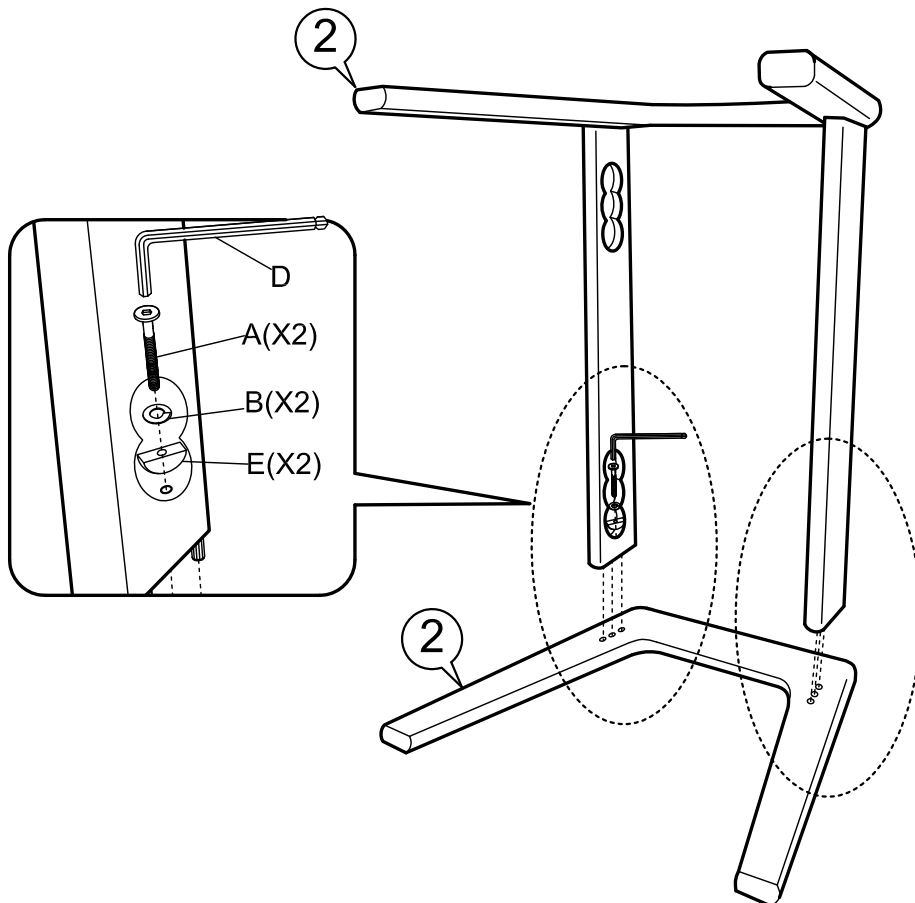
1



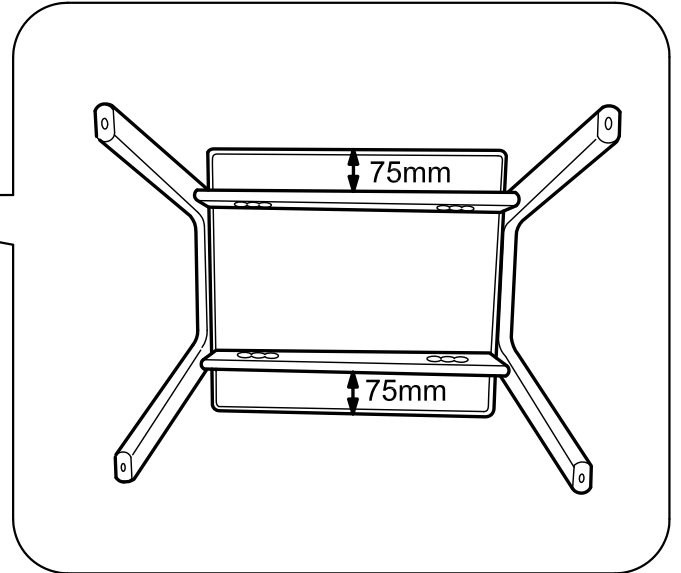
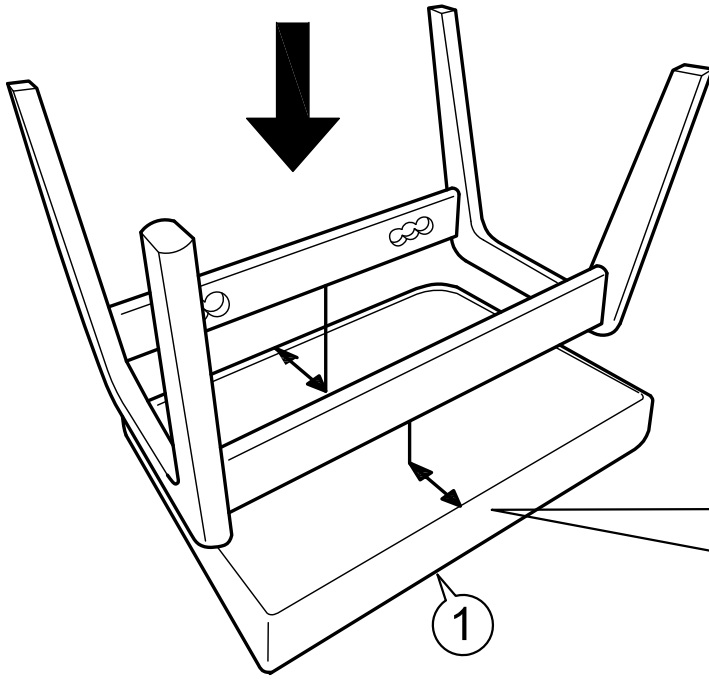
2



3



4



5

