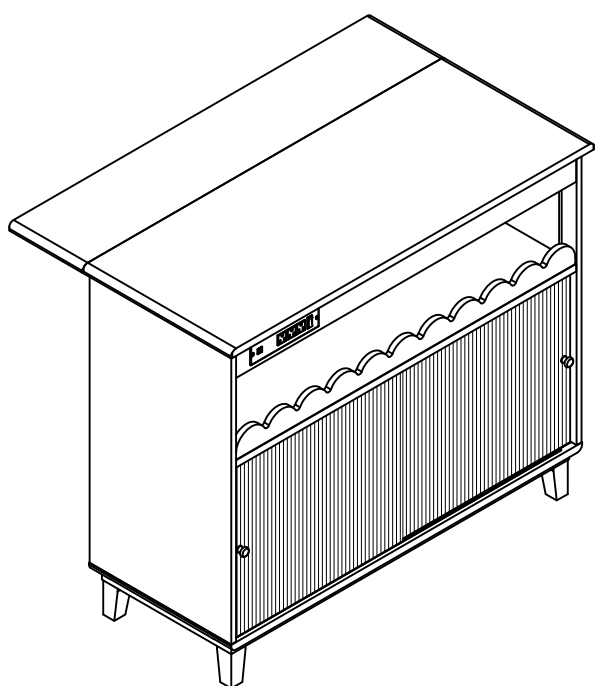
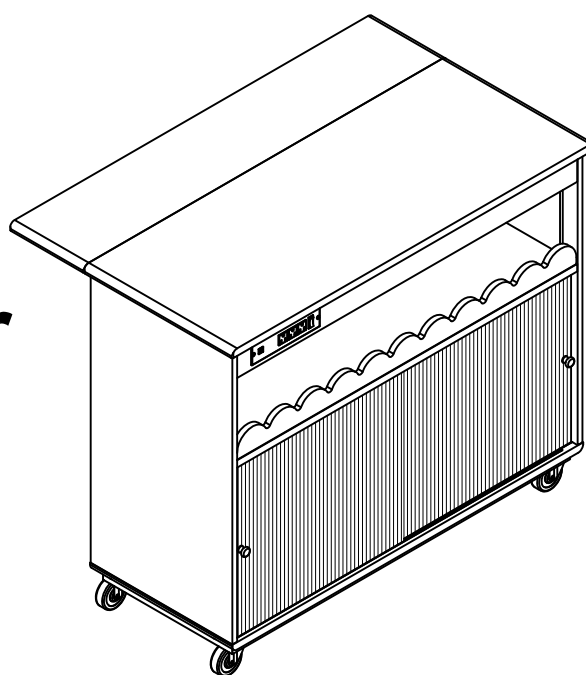


Assembly Instructions - Please keep for future reference



or



Dimensions

Width-44 inch
Depth-18+9 inch
Height-37 inch

Important – Please read these instructions fully before starting assembly



Safety and Care Advice

Important – Please read these instructions fully before starting assembly

- Check you have all the components and tools listed on the following pages.
- Remove all fittings from the plastic bags and separate them into their groups.
- Keep children and animals away from the work area, small parts could choke if swallowed.
- Make sure you have enough space to layout the parts before starting.

- During assembly do not stand or put weight on the product, this could cause damage.
- Assemble the item as close to its final position (in the same room) as possible.
- Assemble on a soft level surface to avoid damaging the unit or your floor.
- Parts of the assembly will be easier with 2 people.



power drill is set on a low torque setting.

- To reduce the likelihood of damaging your product please ensure that your

Care and maintenance

- Only clean using a damp cloth and mild detergent, do not use bleach or abrasive cleaners.
- From time to time check that there are no loose screws on this unit.
- This product should not be discarded with household waste. Take to your local authority waste disposal centre.

Handy Hints

- Assemble all parts and bolts loosely during assembly, only once the product is complete should you fully tighten the bolts
- Regularly check and ensure That all bolts and fittings are tightend properly.

WARNING In order to help prevent overturning – please follow these instructions

To help prevent product toppling over please follow the below steps:-

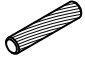















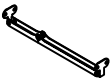

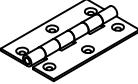

Use the anti tip stap or wall fixing method provided (if applicable)
Do not allow children to climb or hang on the furniture
Do not open more than one drawer at a time
Do not place heavy items in the top drawers
Do not place heavy items on top of the furniture, unless the furniture has been designed for this purpose

Please note that only the anti tip strap is provided.
You will need to provide wall plugs and screws applicable for your wall type

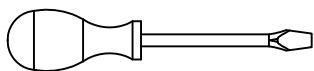
Components - Fittings

Please check you have all the panels listed below

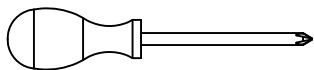
Note: The quantities below are the correct amount to complete the assembly. In some cases more fittings may be supplied than are required.

| | | | |
|--|--|--|--|
|  A Dowel x29+1 |  B Cam Bolt x24+1 |  C Cam lock x24+1 |  D 4*35mm Screw x8 |
|  E Door Handle x2 |  F 4*10mm Bolt x2 |  G 3 INCH x2 |  H 3.0*12mm Screw x16 |
|  I Shelf Support Pin x8 |  J 6*90mm Bolt x6 |  K Flat Washer x6 |  L Lock Washer x6 |
|  M Allen Key x1 |  N Locking Caster x2 |  O Caster x3 |  P 6*12mm Bolt x20 |
|  Q Support Hinges x1 |  R 4*15mm Screw x4 |  S Butt Hinge x3 |  T 3.5*15mm Screw x20 |

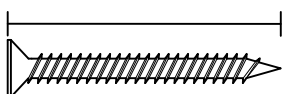
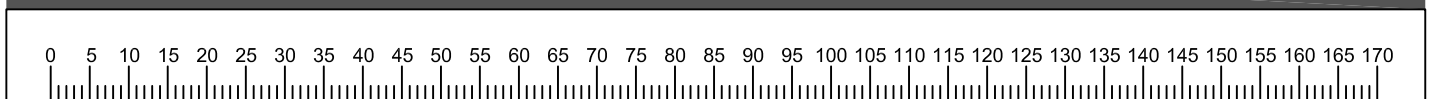
Tools required



Phillips screwdriver
(medium & large)



Ruler - Use this ruler to help correctly identify the screws



The screws length is measured from the head to the point (35mm screw shown).

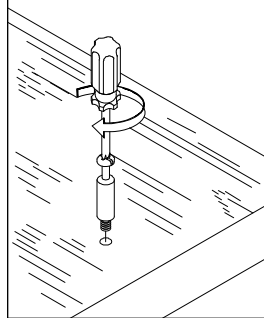
Using Camlocks

Step 1

Connect the male camlock as directed in the assembly instructions using a screwdriver.

1

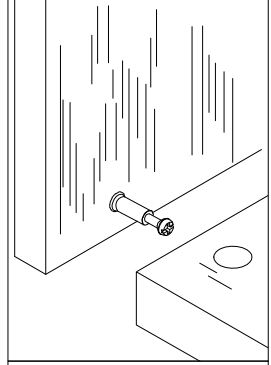
DO NOT OVER TIGHTEN.
NE PAS SERRER EXCESSIVEMENT.



Step 2

Push the male camlock into the entry hole.

2

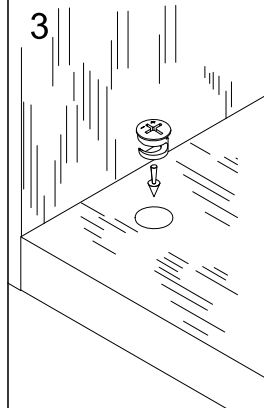


Step 3

Insert the female camlock as shown in the instruction.

Note: ensure that the arrow on the top of the camlock points towards the entry hole for the male camlock.

3



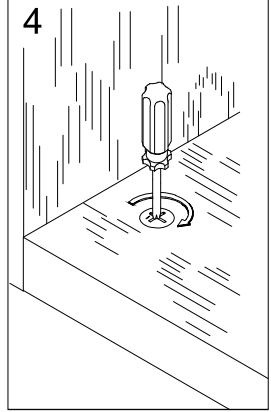
Step 4

Turn the female camlock clockwise with a screwdriver.

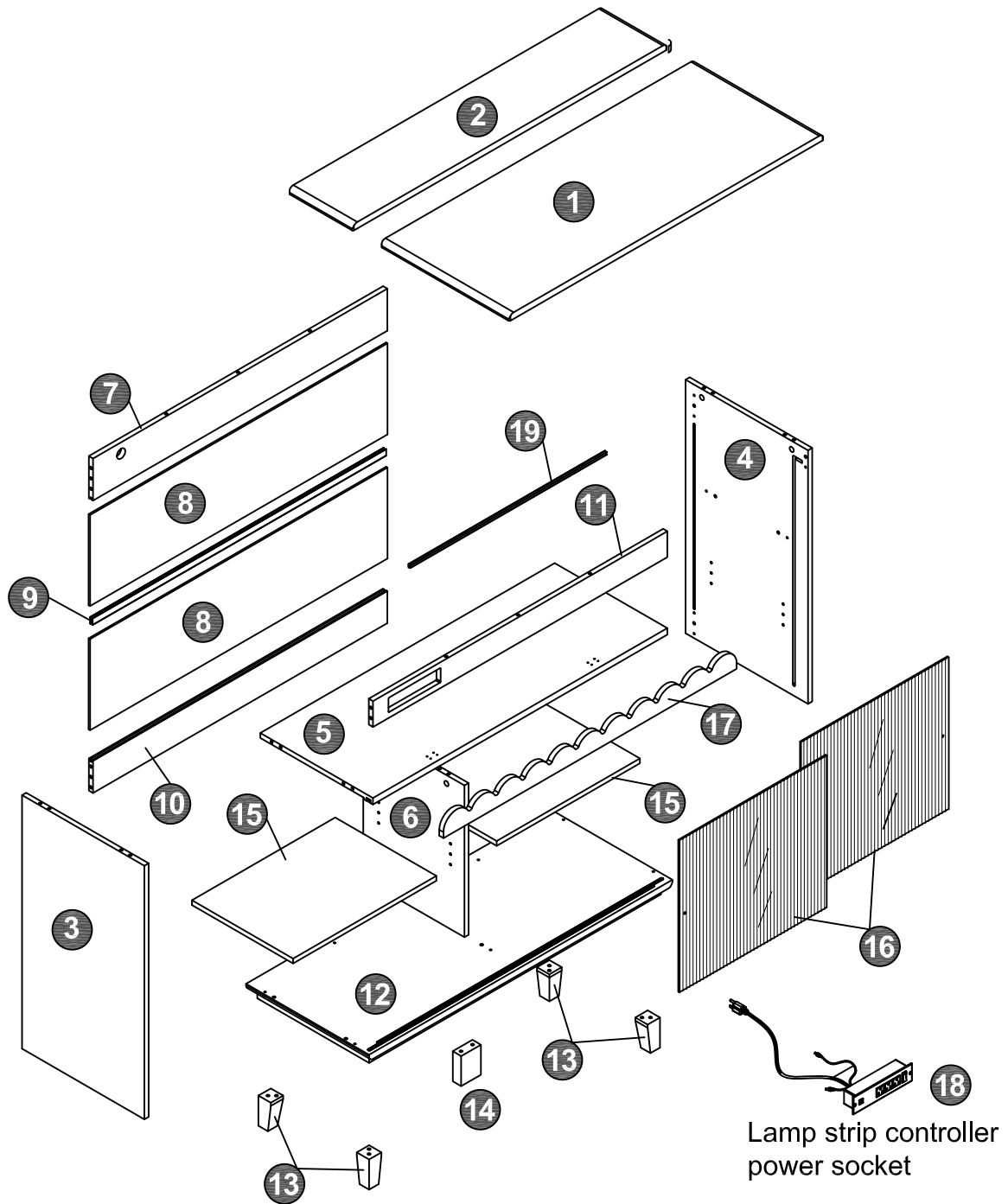
You should feel a click when the camlock is locked in place.

The joint is now secure.

4

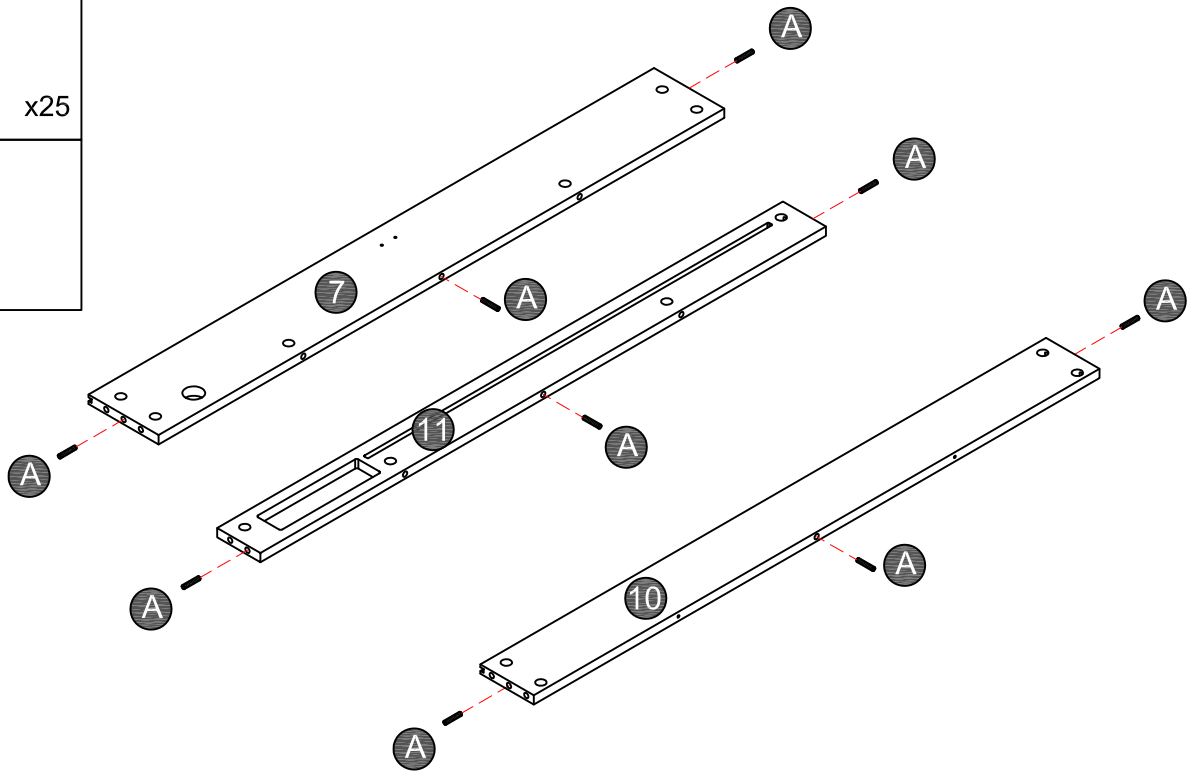
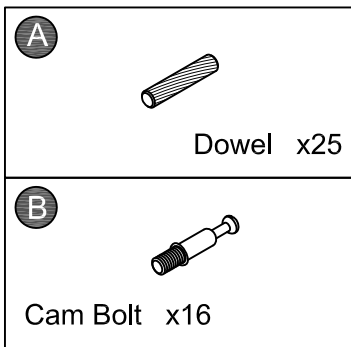
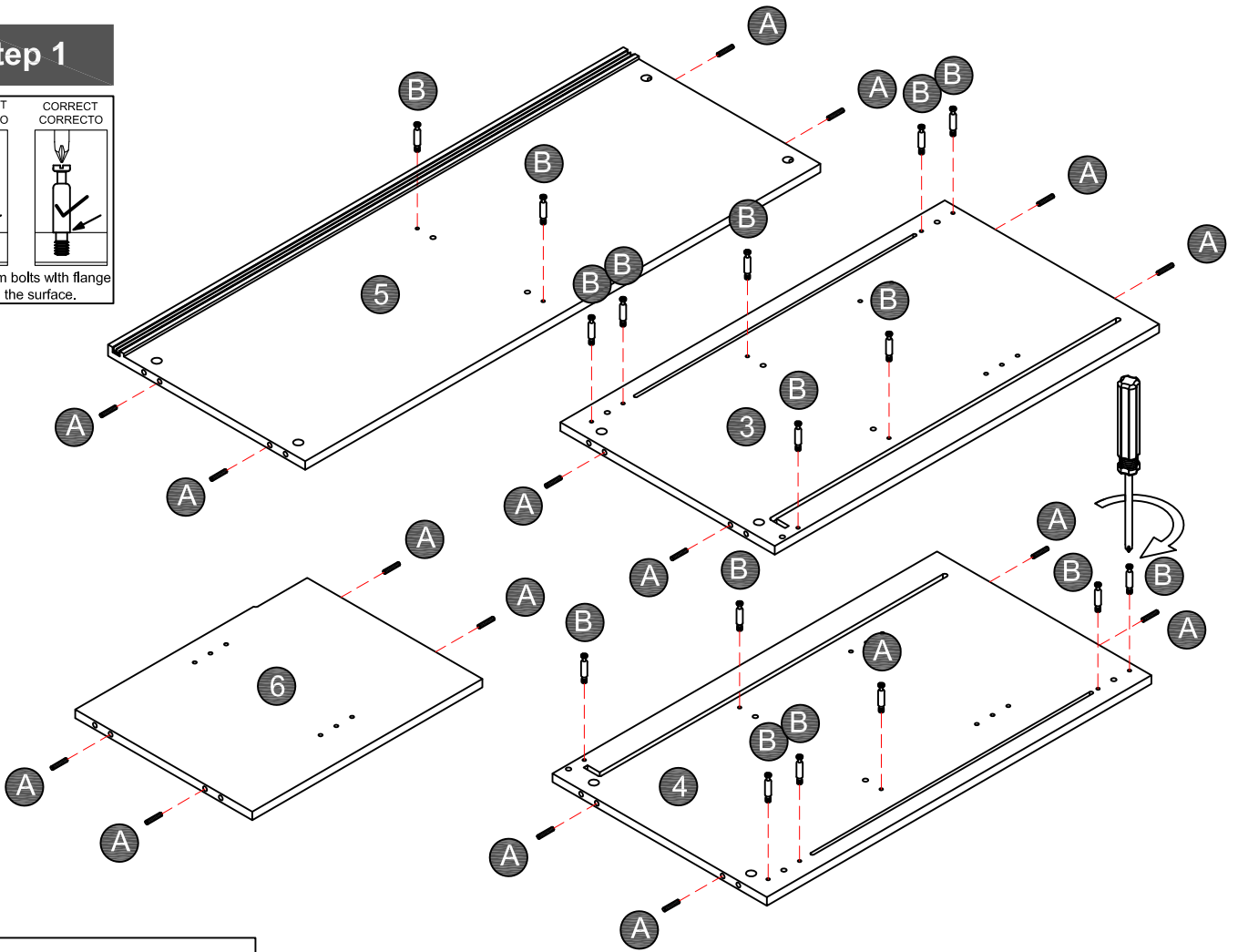
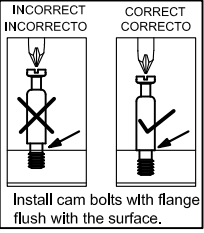


Assembly Instructions



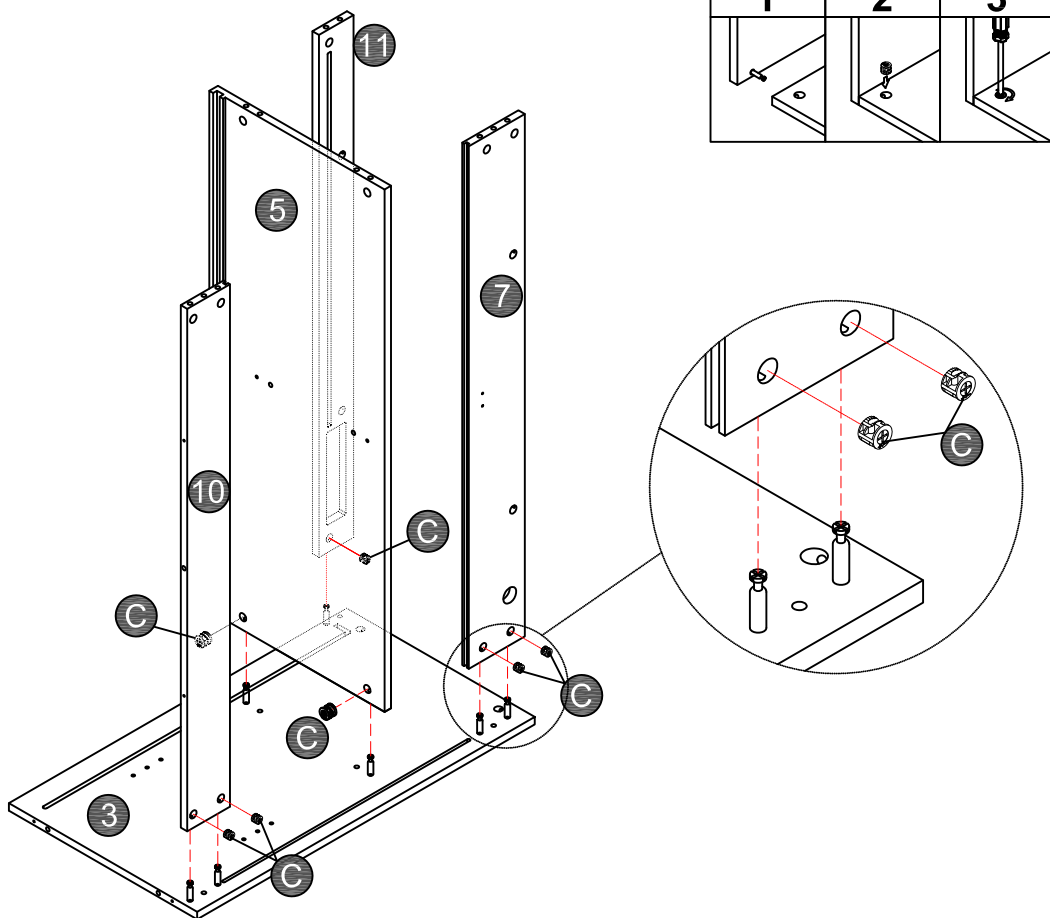
Assembly Instructions

Step 1

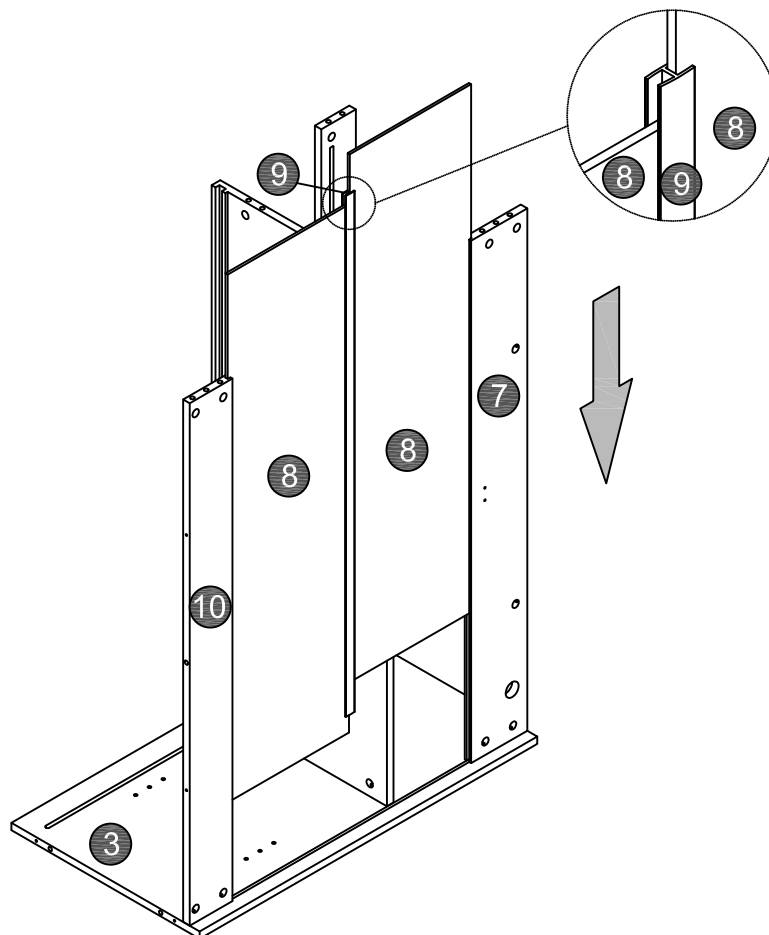


Assembly Instructions

Step 2

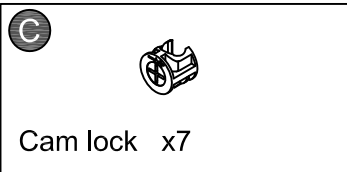
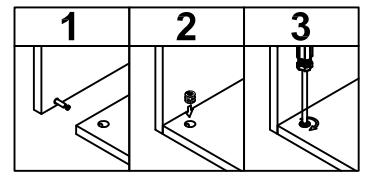
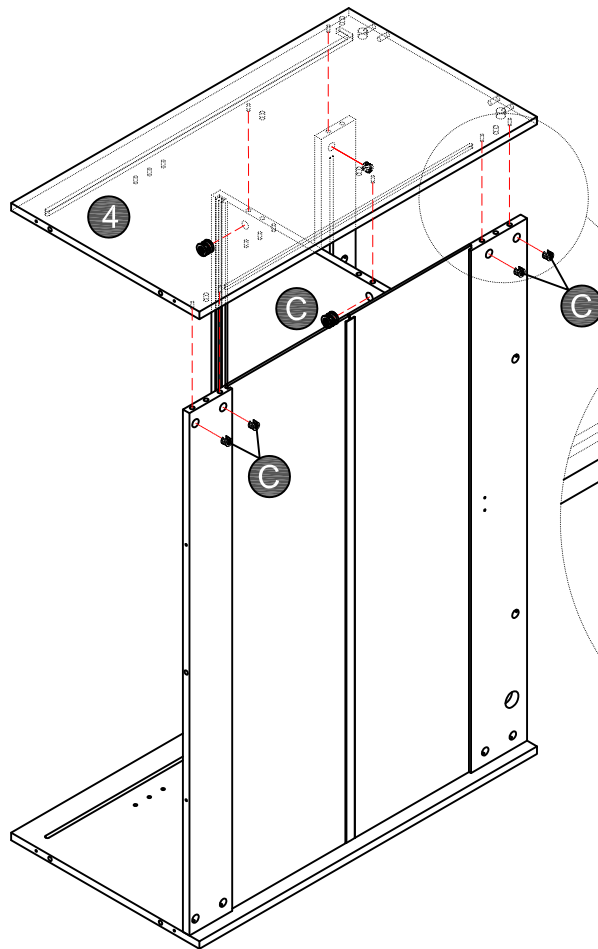


Step 3

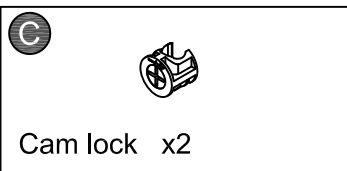
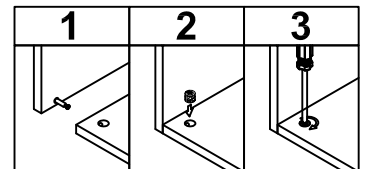
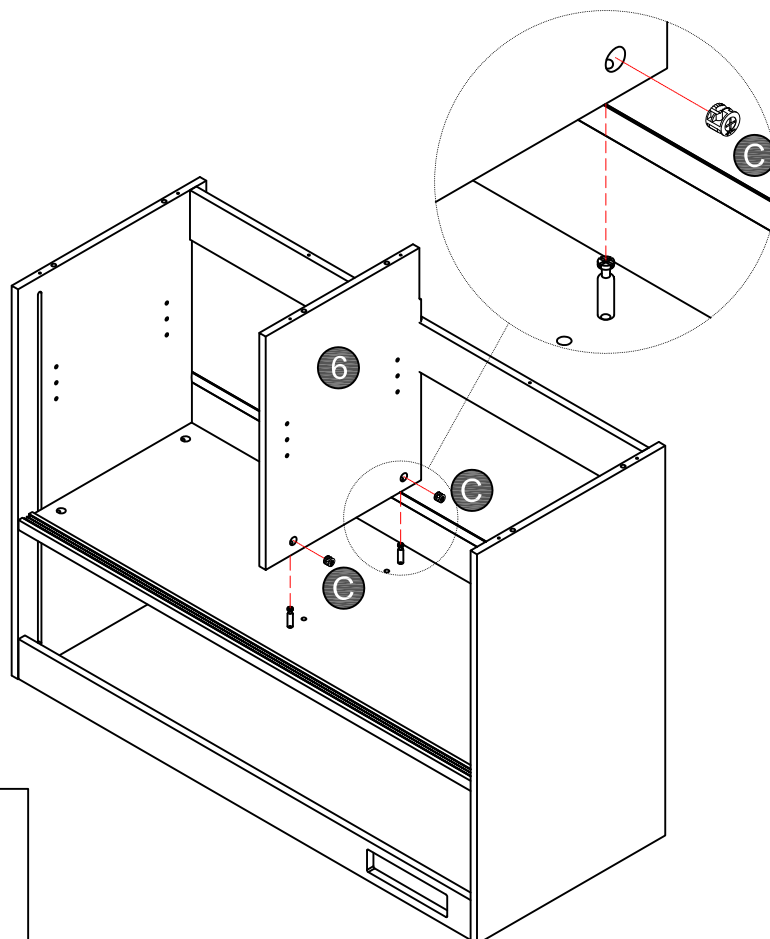


Assembly Instructions

Step 4

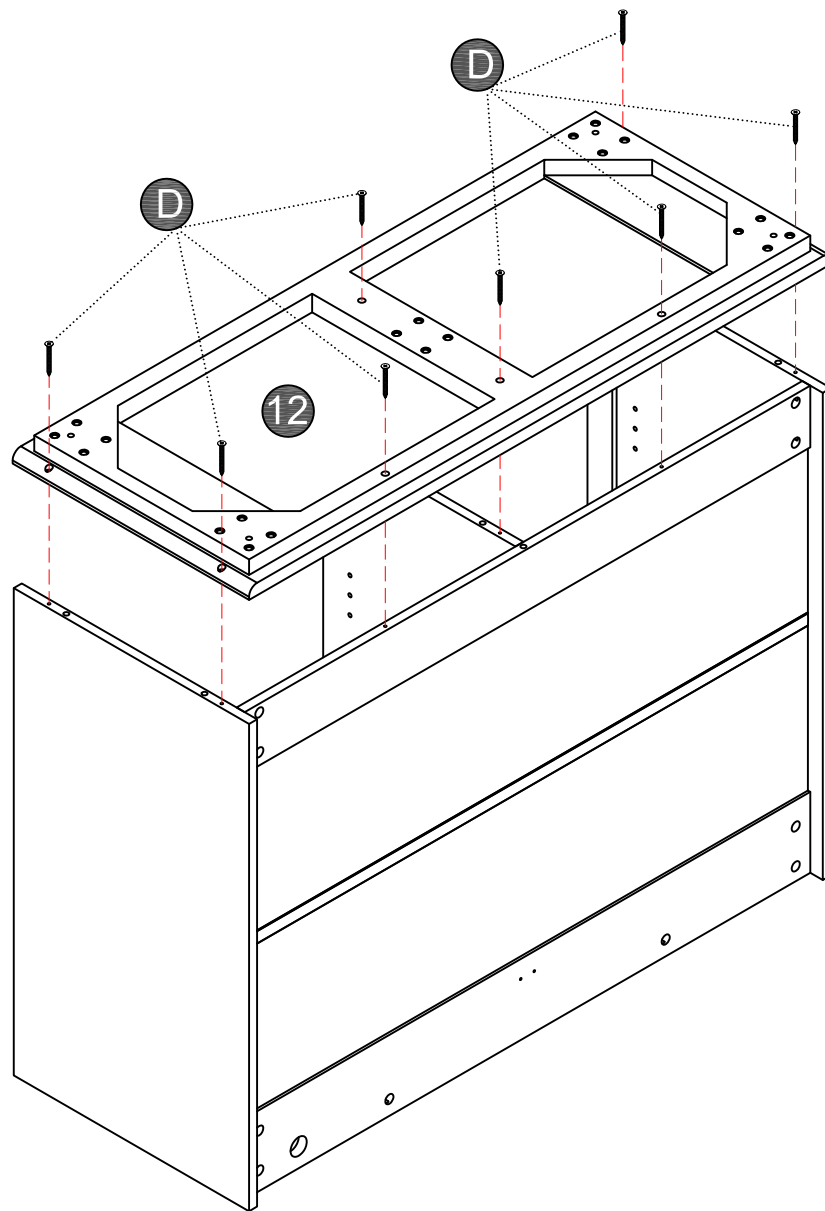
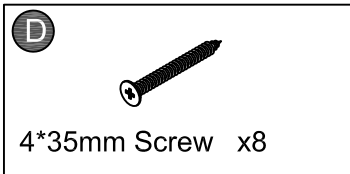


Step 5

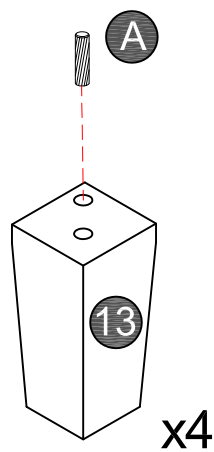
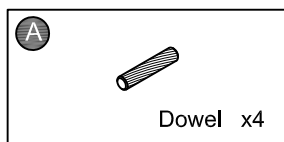


Assembly Instructions

Step 6

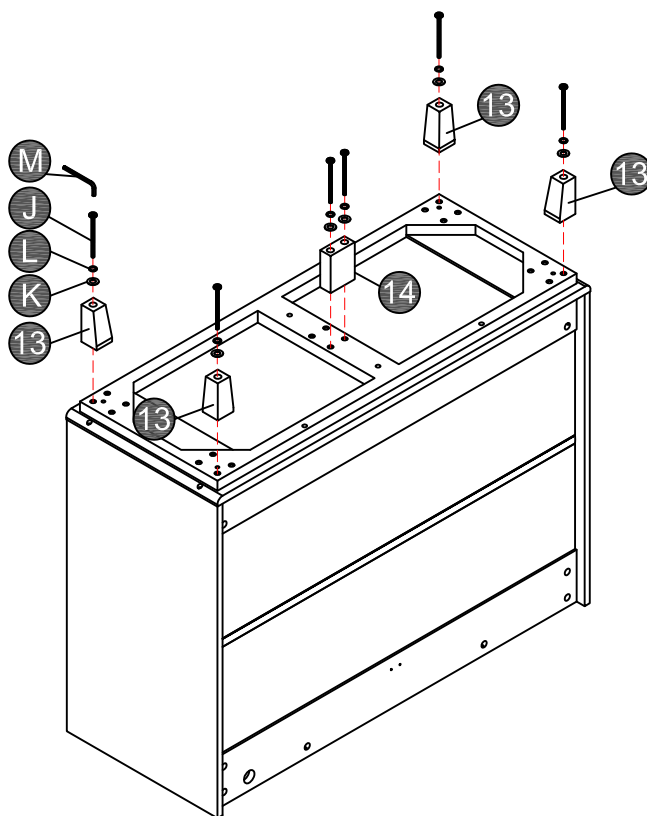
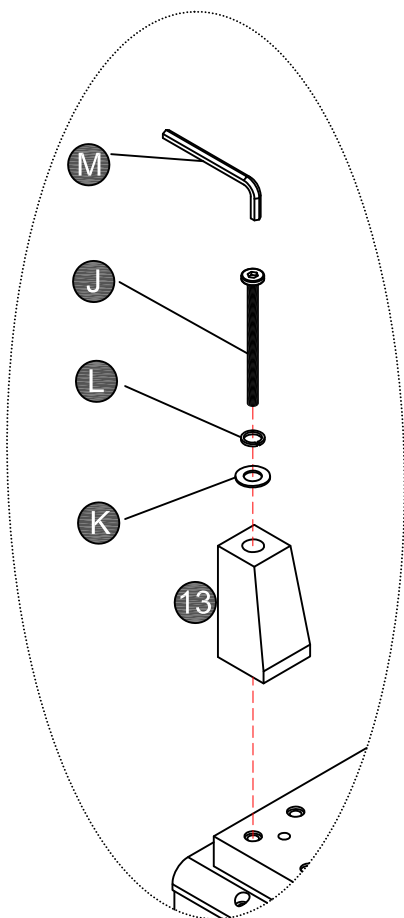
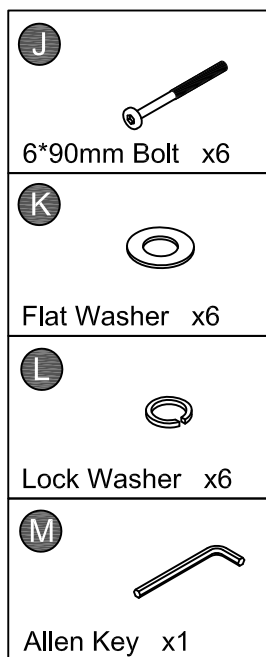


Step 7

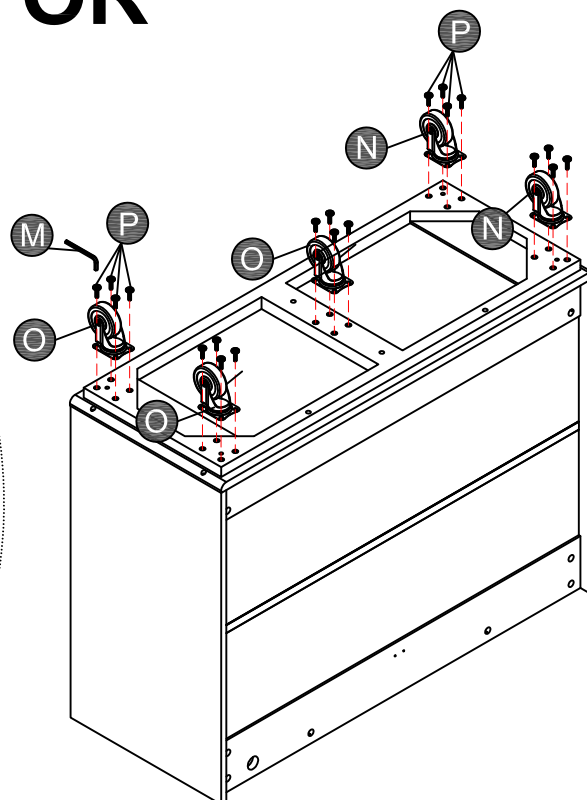
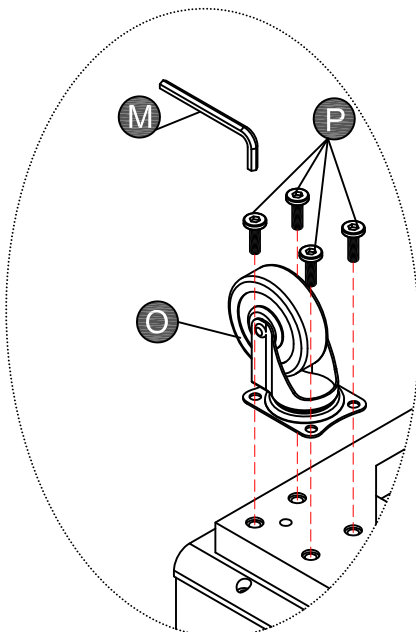
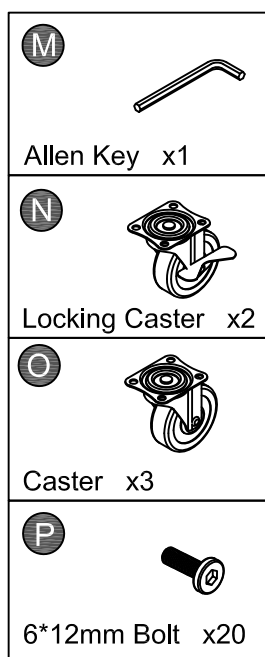


Assembly Instructions

Step 8

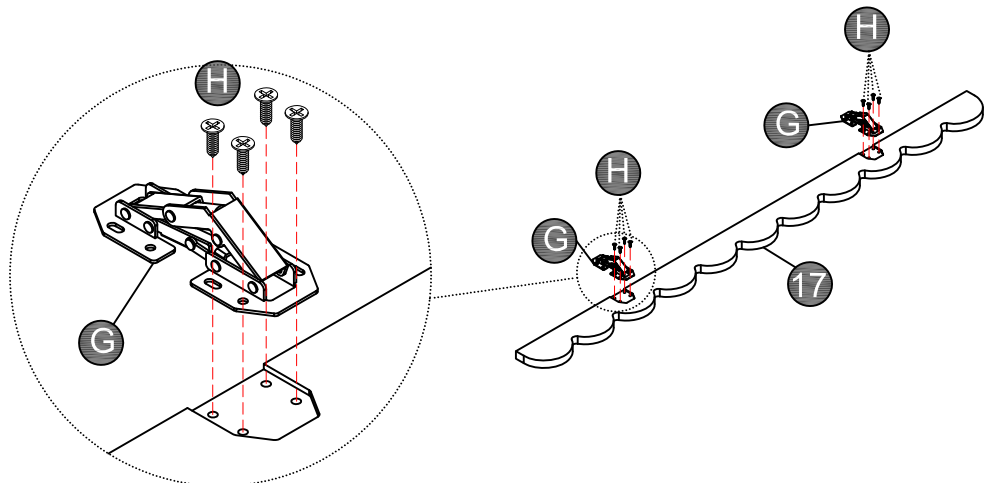
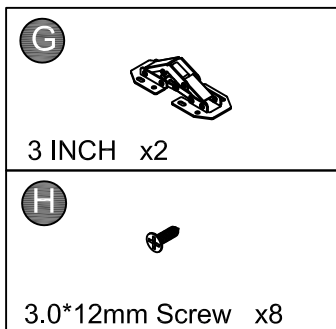


OR



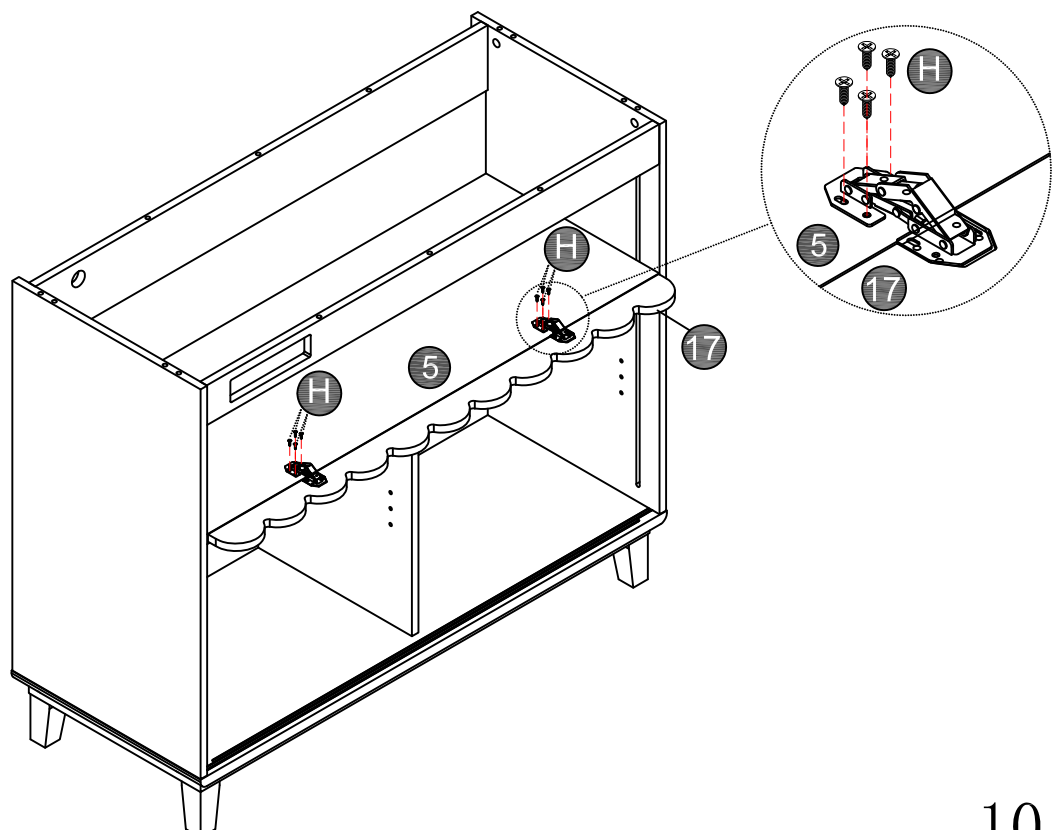
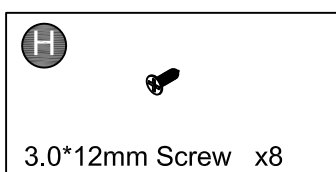
Assembly Instructions

Step 9



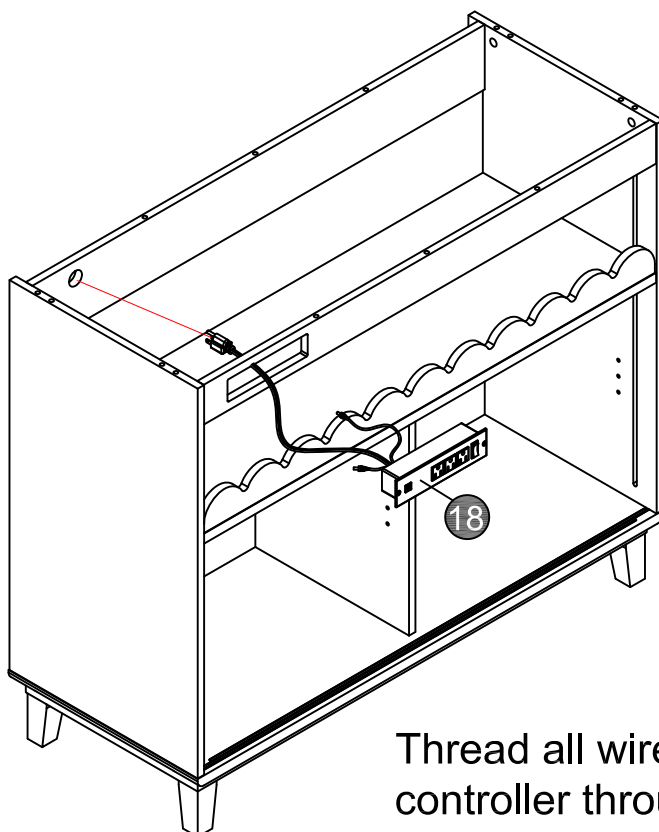
Please pay attention to the direction of the hinge

Step 10



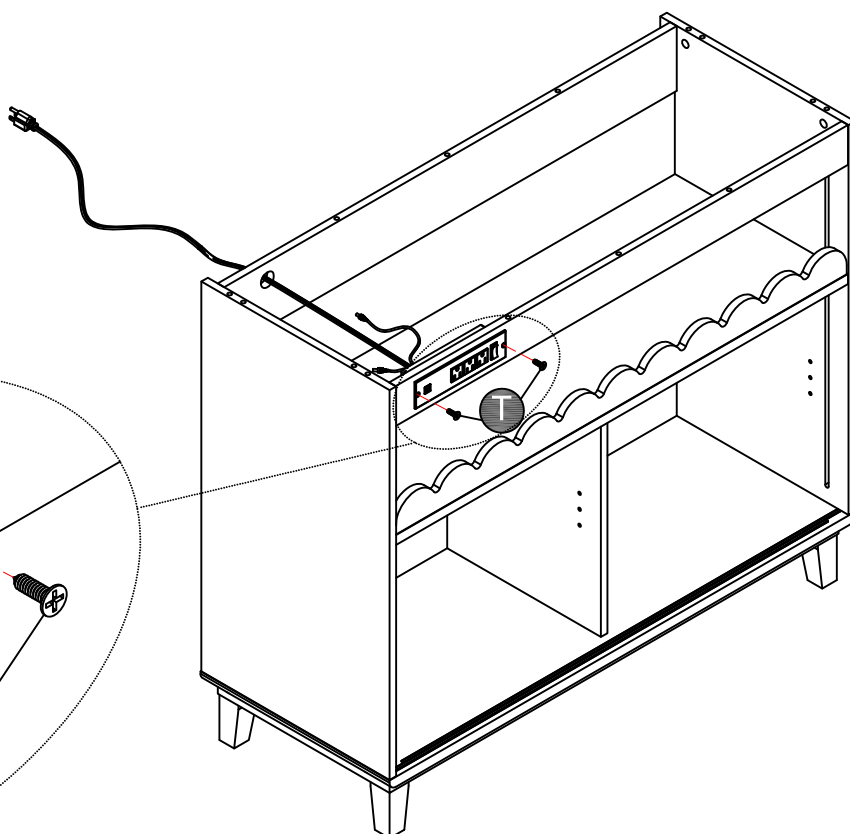
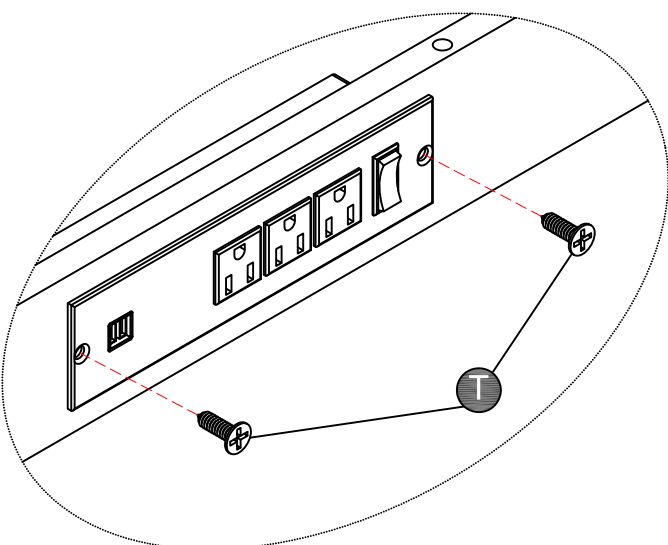
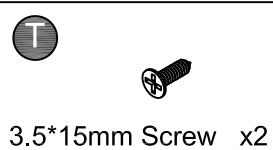
Assembly Instructions

Step 11



Thread all wires of the light strip controller through the square hole and the power plug through the rear circular hole.

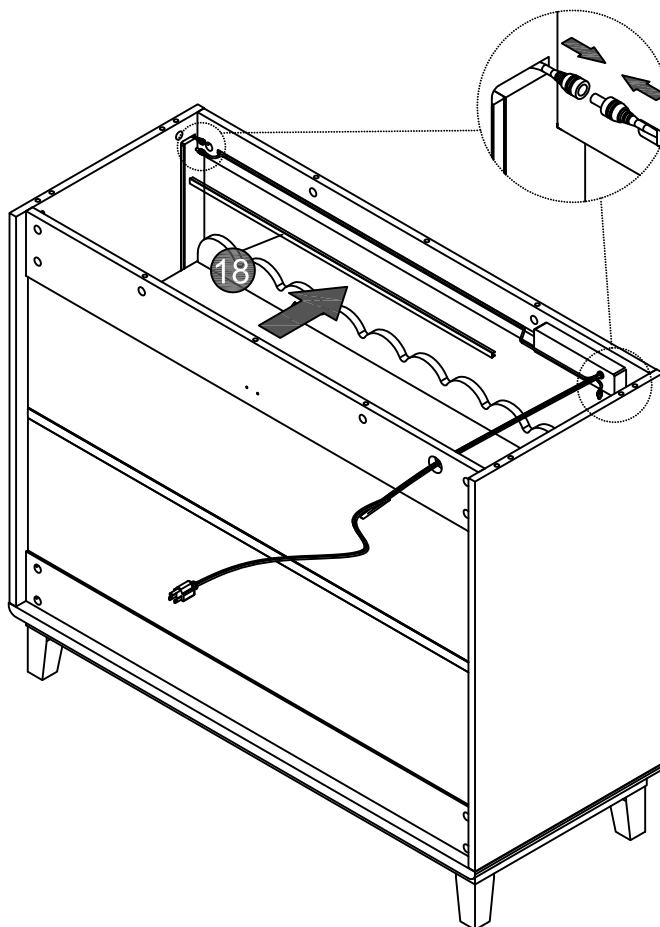
Step 12



Assembly Instructions

Step 13

Place the long wire into the slot, squeeze the plastic pressure strip into the slot to cover the wire, and connect the two plugs together

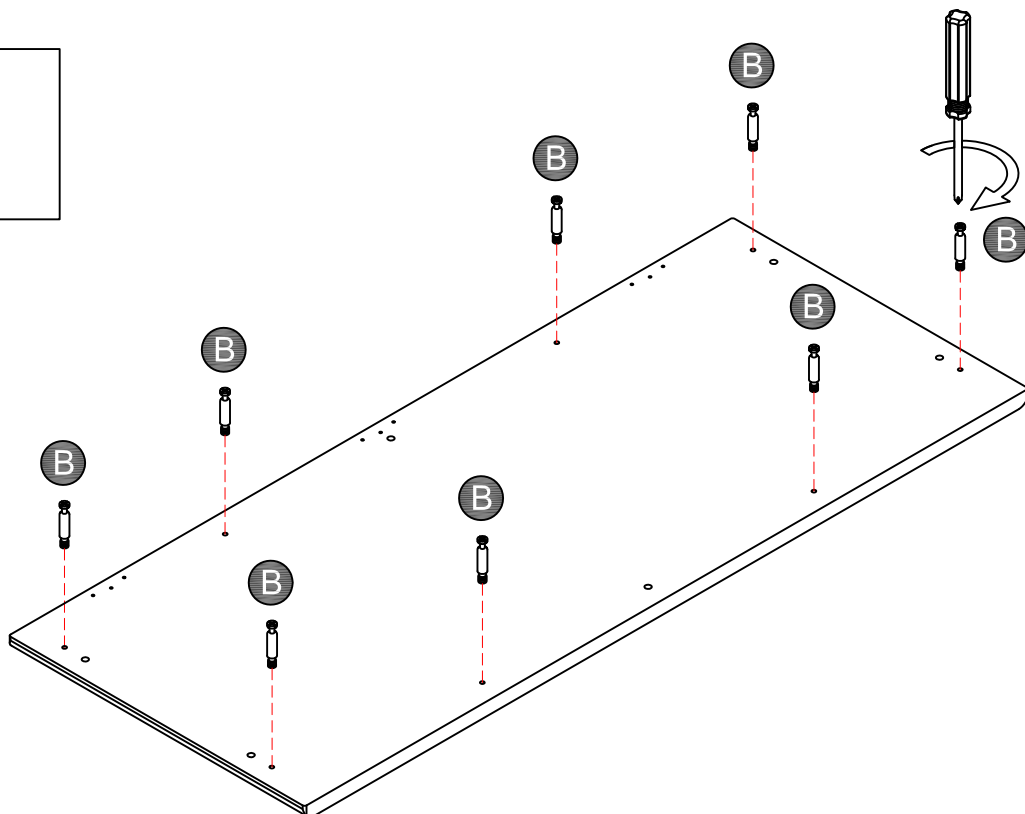
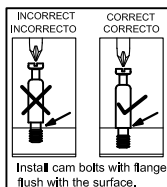


Step 14

B



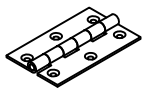
Cam Bolt x8



Assembly Instructions

Step 15

S

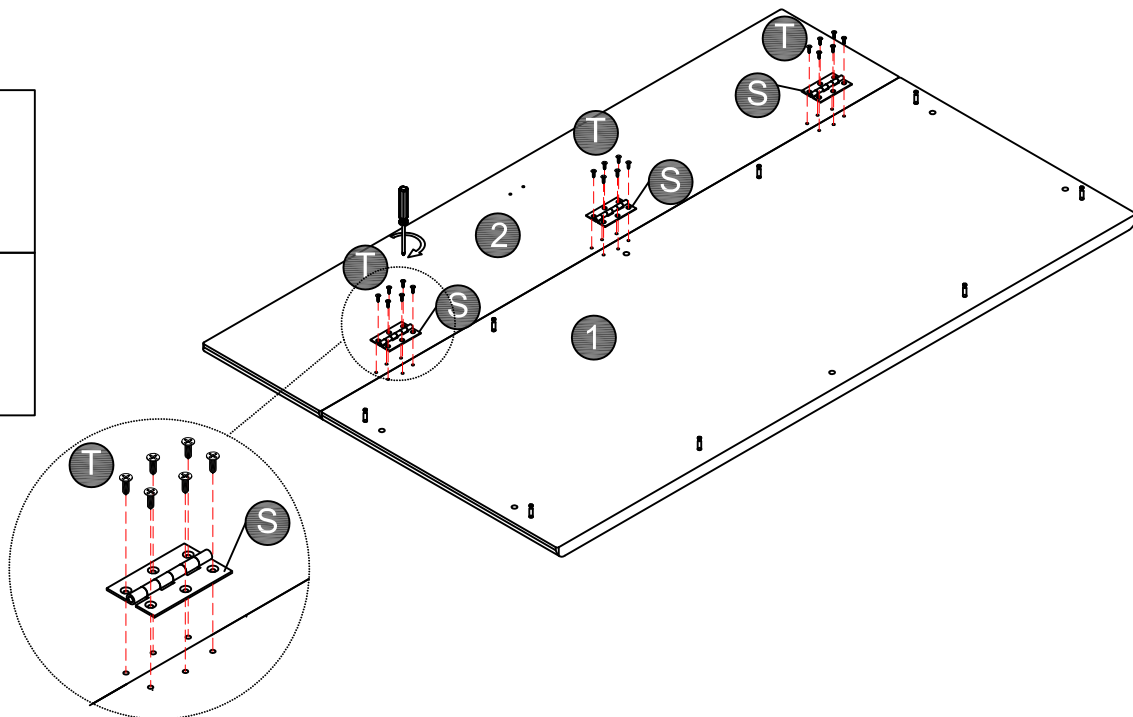


Butt Hinge x3

T



3.5*15mm Screw x18

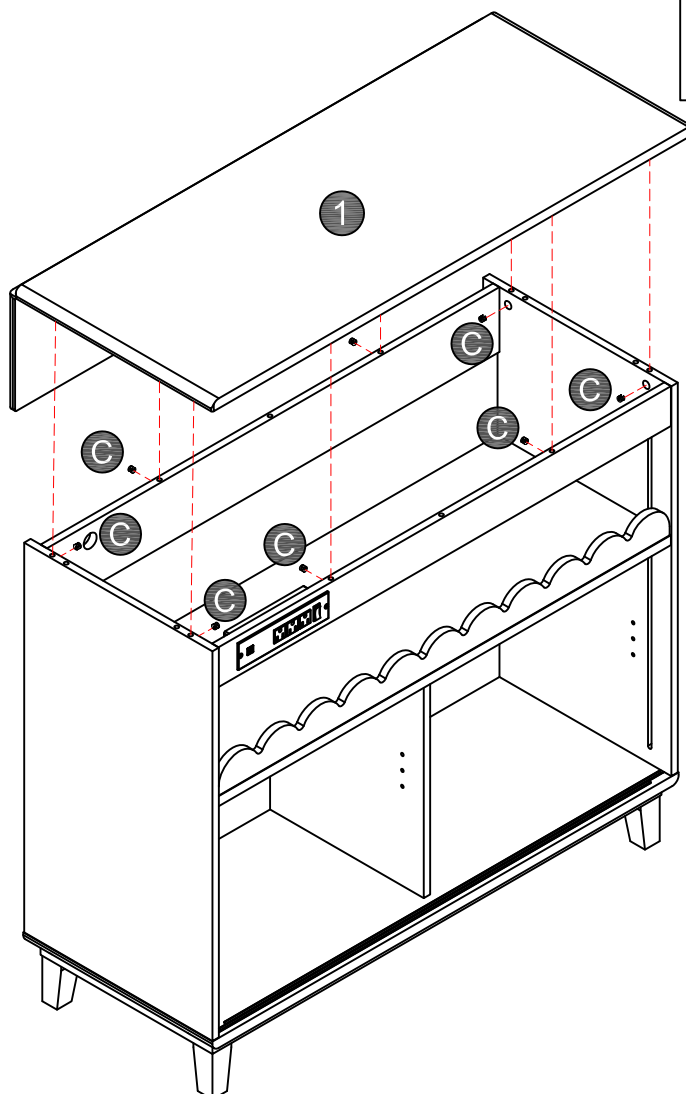
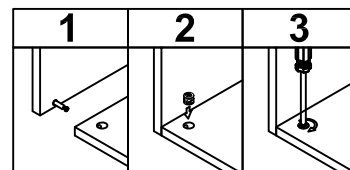


Step 16

C



Cam lock x8



Assembly Instructions

Step 17

Q

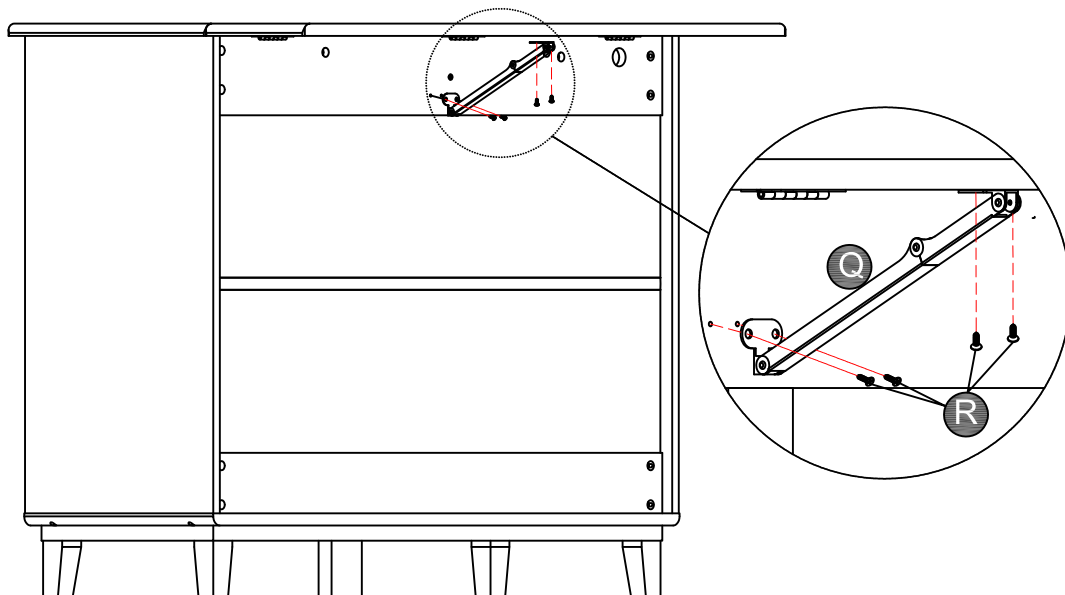


Support Hinges x1

R



4*15mm Screw x4

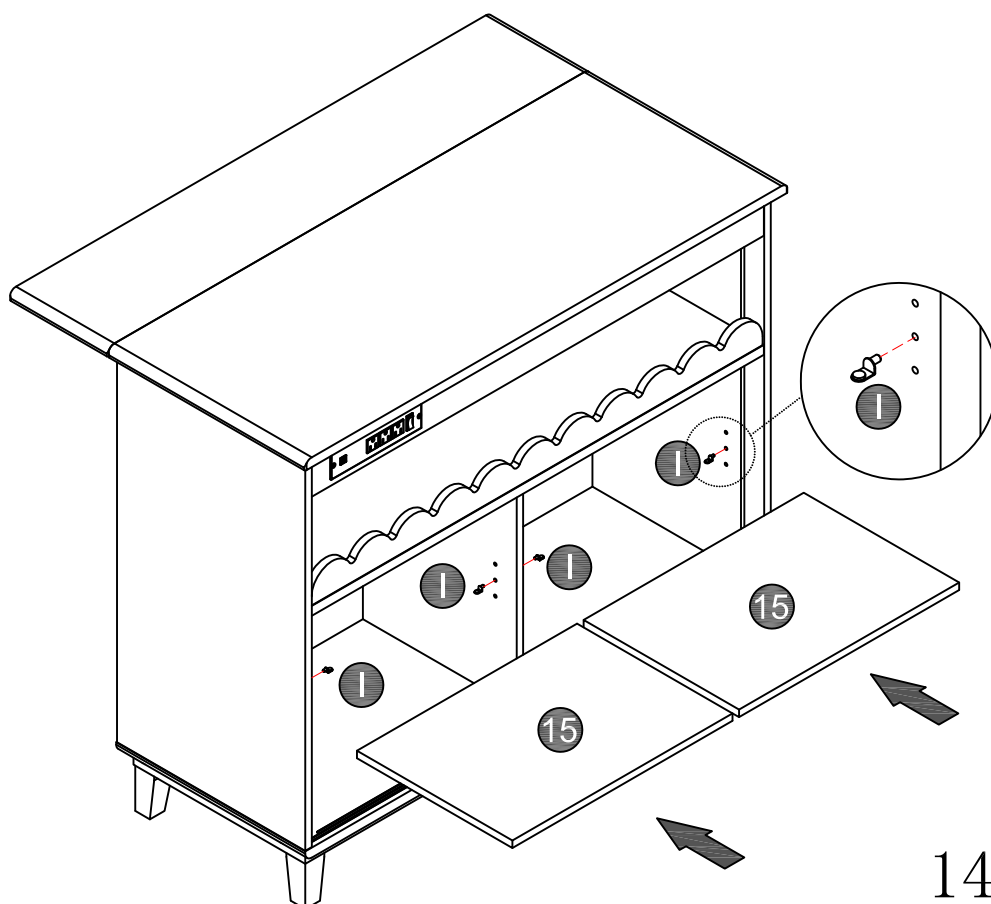


Step 18

I



Shelf Support Pin x8



Assembly Instructions

Step 19

E

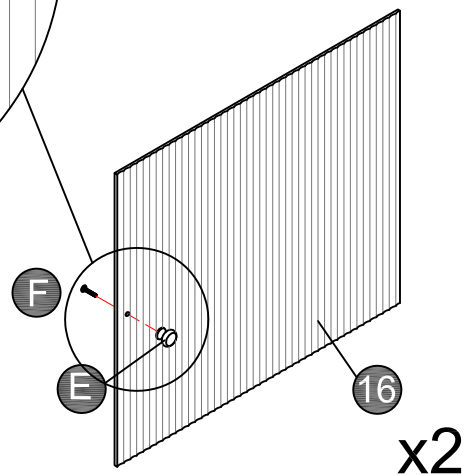
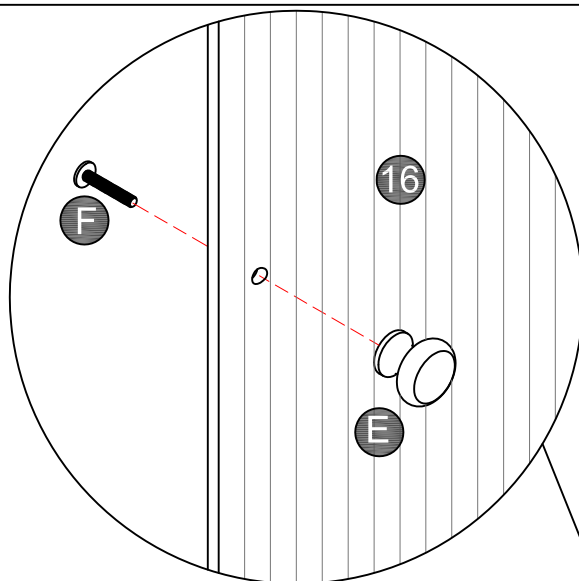


Door Handle x2

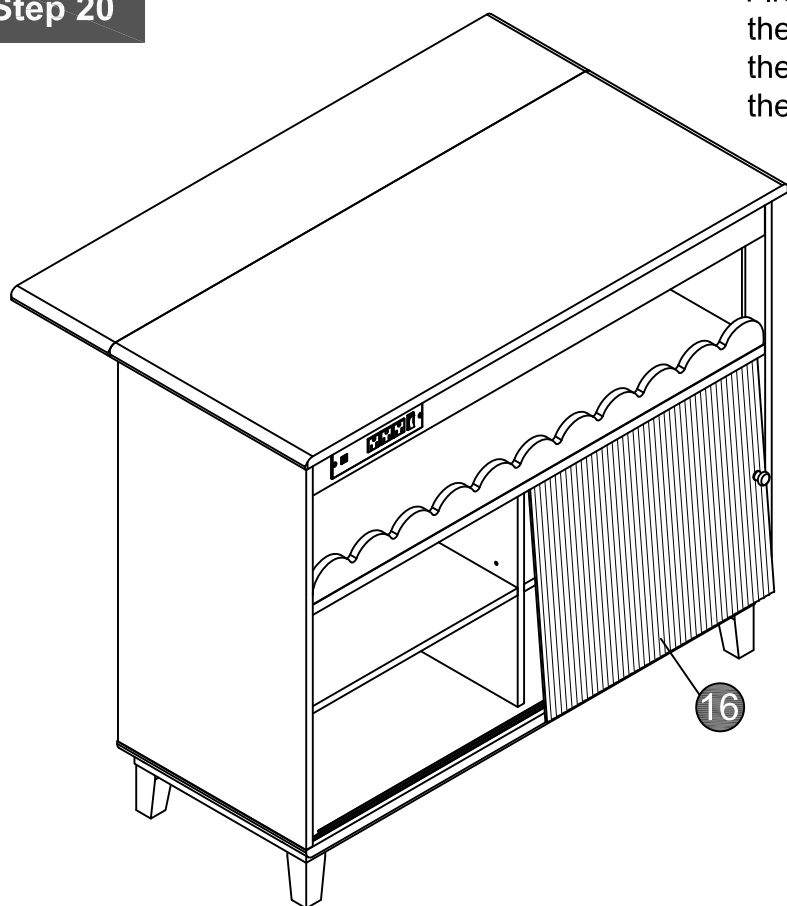
F



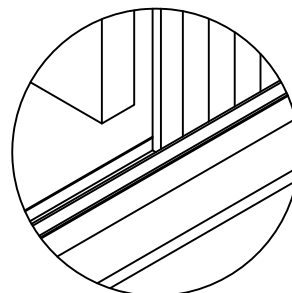
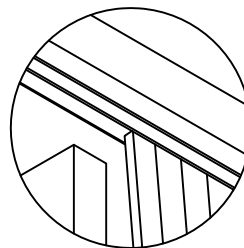
4*10mm Bolt x2



Step 20

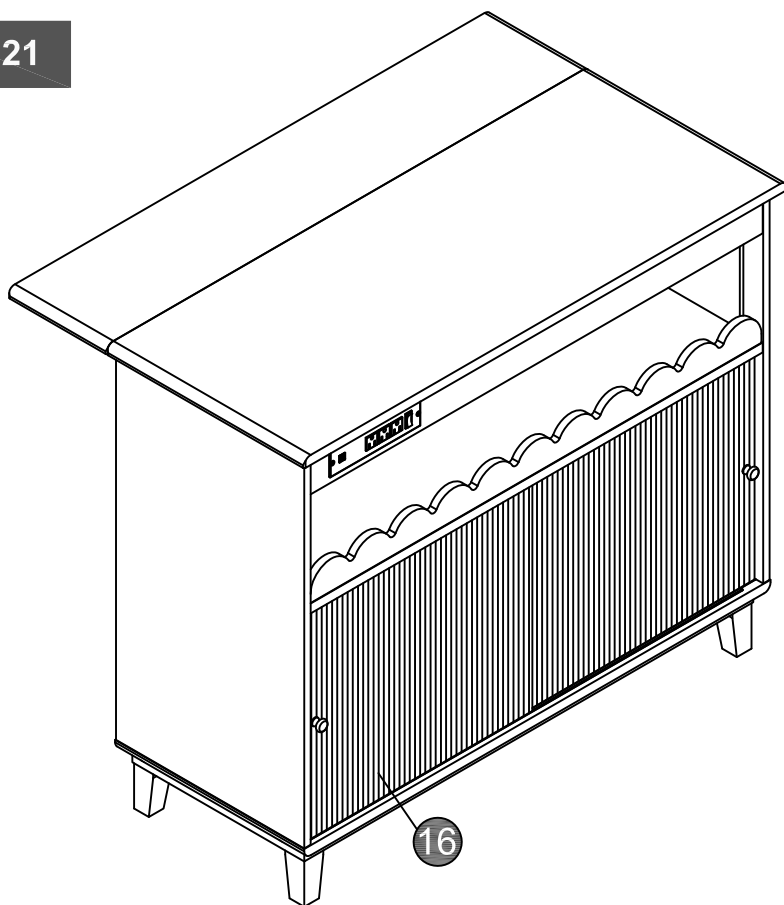


First insert the glass into the second slot under the layer board, and then place the bottom into the second slot on the bottom plate to complete the installation of the right glass door.

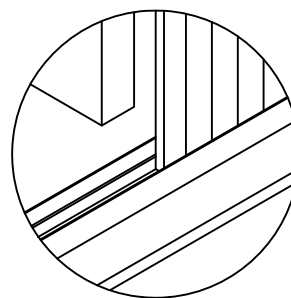
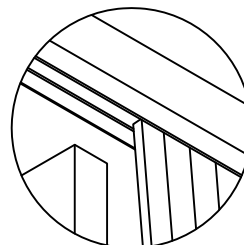


Assembly Instructions

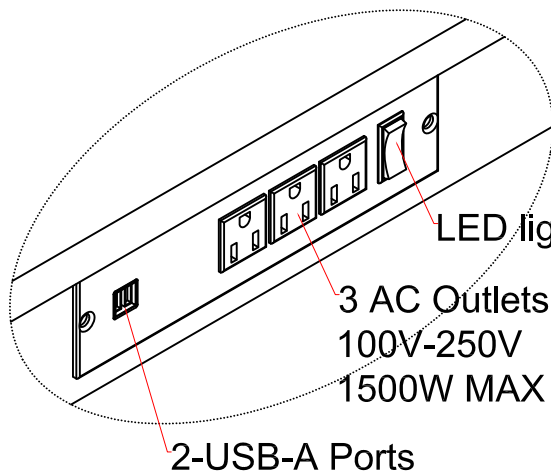
Step 21



First insert the left glass door into the first slot under the laminate, and then place the bottom into the first slot on the bottom plate to complete the installation of the left glass door.



Step 22



LED light switch

3 AC Outlets
100V-250V
1500W MAX

2-USB-A Ports

