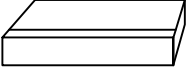
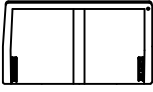
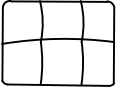
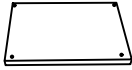

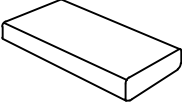

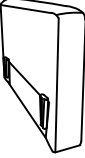
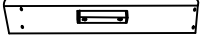


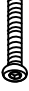




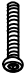

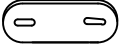





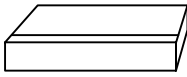
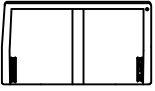
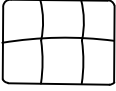
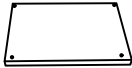
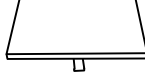
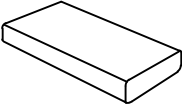

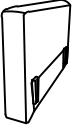
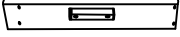

Installation & Assembly

Accessories list(sitting sofa)

Carton 1/2

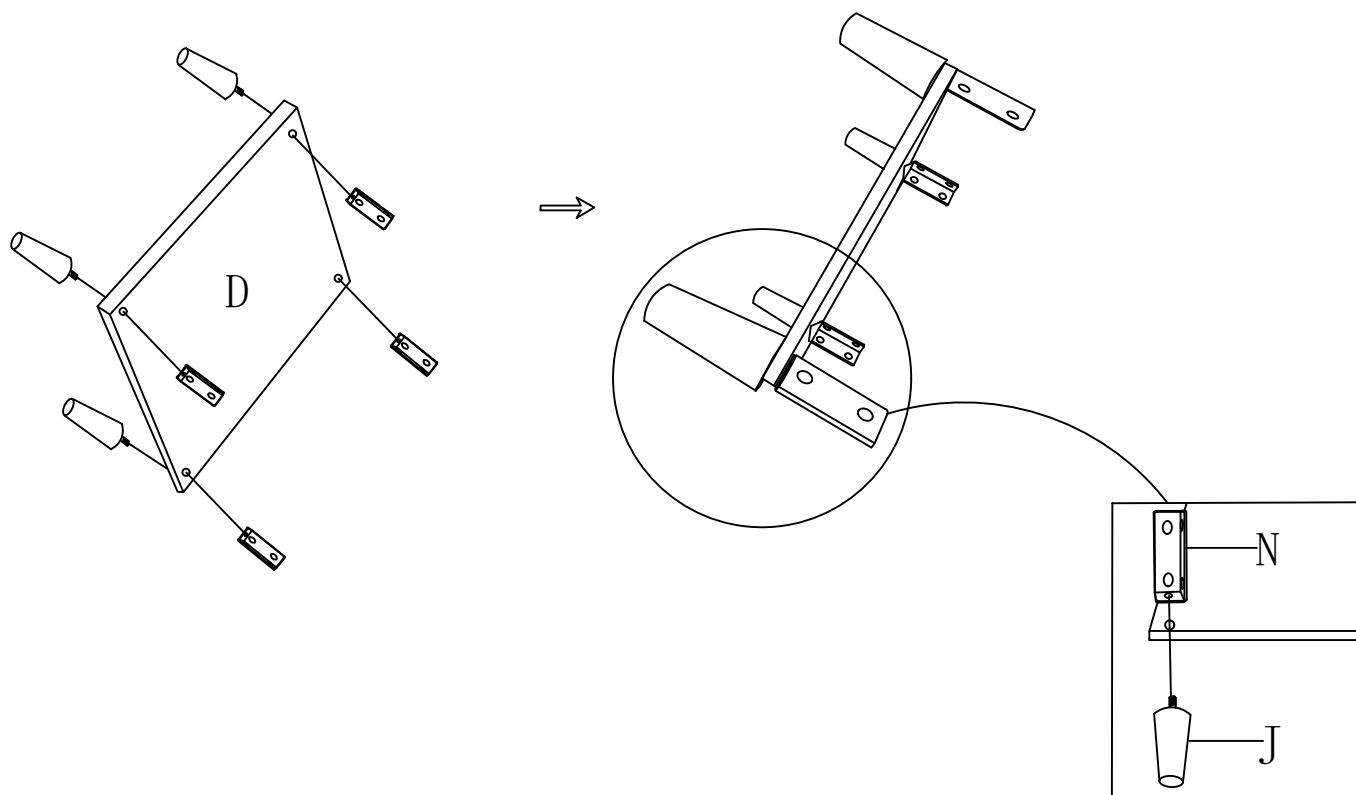
<p>A</p>  <p>Left seat frame(1)</p>	<p>B</p>  <p>Left backrest(1)</p>	<p>C</p>  <p>Backrest cushion(2)</p>	<p>D</p>  <p>Ottoman base plate(1)</p>	<p>E</p>  <p>Ottoman panel (1)</p>	
<p>F</p>  <p>Double seat cushion(1)</p>	<p>G</p>  <p>Ottoman seat cushion(1)</p>	<p>H</p>  <p>Left armrest(1)</p>	<p>I</p>  <p>Ottoman side panel (4)</p>	<p>J</p>  <p>812#Sofa feet(14)</p>	
<p>K</p>  <p>Metal plate(2)</p>	<p>L</p>  <p>8*35 Screw(4)</p>	<p>M</p>  <p>16mm Gasket(4)</p>	<p>N</p>  <p>Corner brace connector(8)</p>	<p>O</p>  <p>M5*100*55 Wrench(1)</p>	<p>P</p>  <p>16mm Gasket(32)</p>
<p>Q</p>  <p>6*16 Corner brace screw(32)</p>	<p>P</p>  <p>M4*100*30 Wrench(1)</p>	<p>R</p>  <p>50#Metal plate(1)</p>	<p>S</p>  <p>6*25 Screw(2)</p>	<p>T</p>  <p>13mm Gasket(2)</p>	<p>U</p>  <p>M4*65*23 Wrench(1)</p>

Carton 2/2

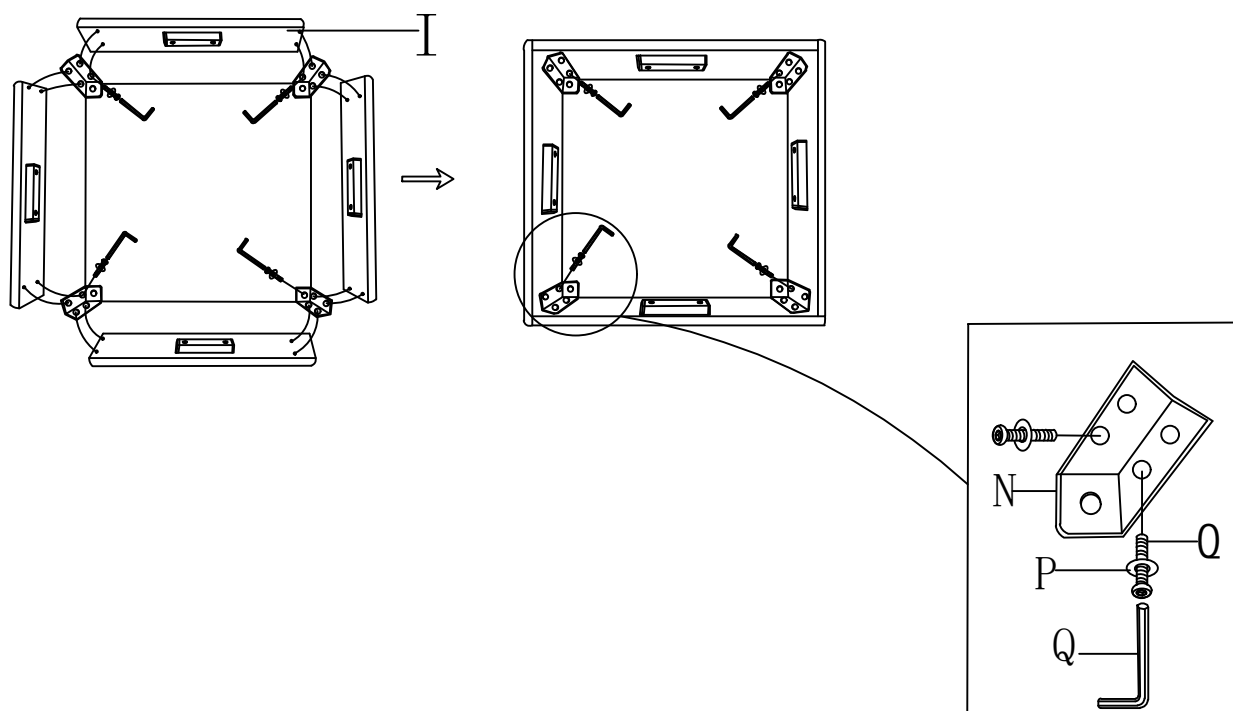
<p>V</p>  <p>Right seat frame(1)</p>	<p>W</p>  <p>Right backrest(1)</p>	<p>C</p>  <p>Back cushion(2)</p>	<p>D</p>  <p>Ottoman base plate(1)</p>	<p>E</p>  <p>Ottoman panel (1)</p>
<p>F</p>  <p>Double seat cushion(1)</p>	<p>G</p>  <p>Ottoman seat cushion(1)</p>	<p>X</p>  <p>Right armrest(1)</p>	<p>I</p>  <p>Ottoman side panel (4)</p>	<p>Y</p>  <p>Armrest sofa bag(2)</p>

STEP1:

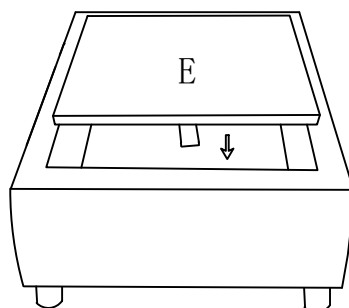
Install sofa feet to the base plate of ottoman with hardware
Note: Hardware face the smooth surface of ottoman base.



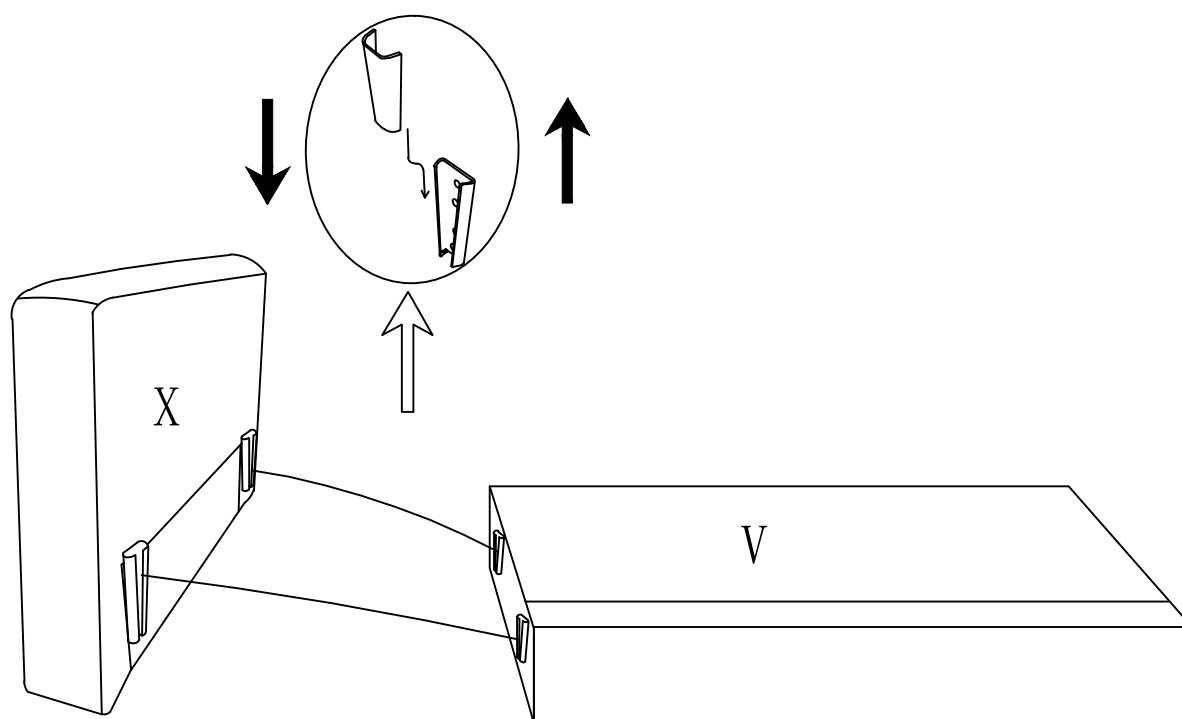
STEP2: Connect the side panels of ottoman to the base plates with conner brace connector. Note: please distinguish between top and bottom of the side panels



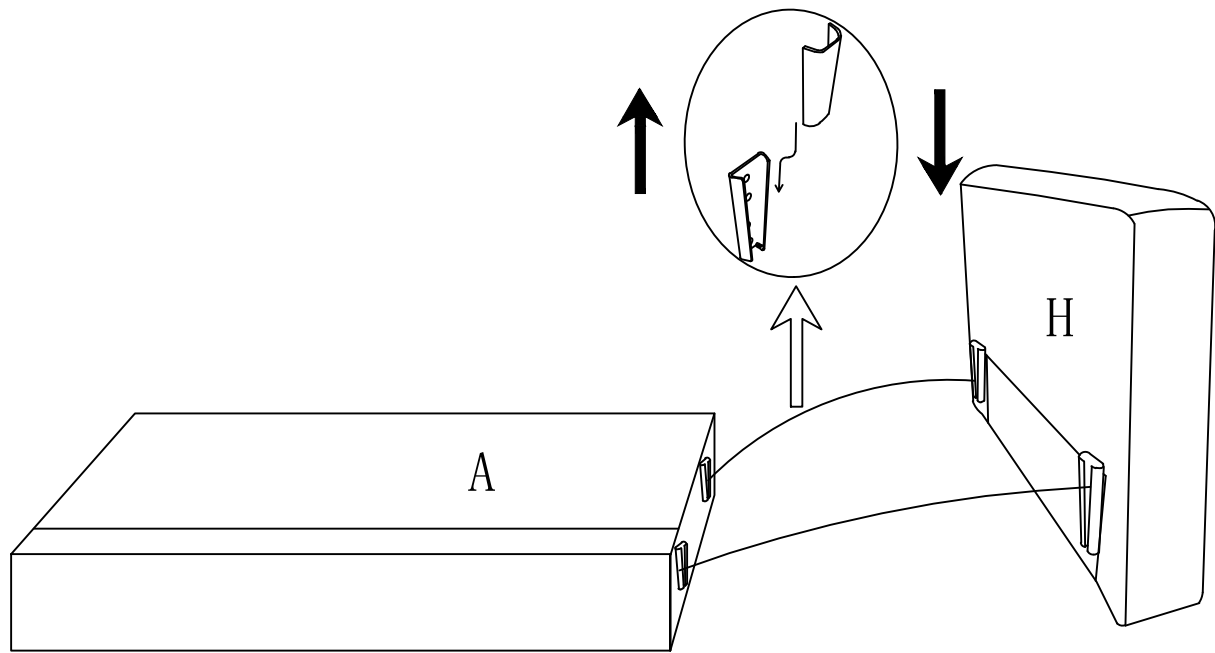
STEP3: Place the ottoman panel on the ottoman frame



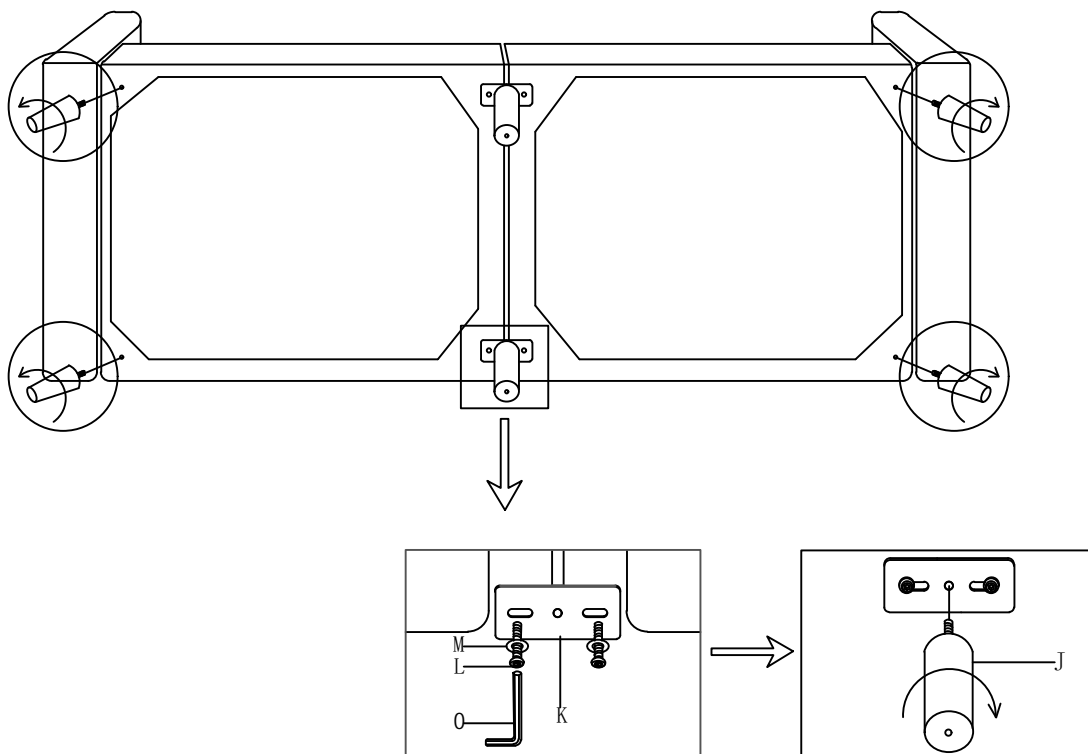
STEP4: Install the right armrest to the right seat frame.



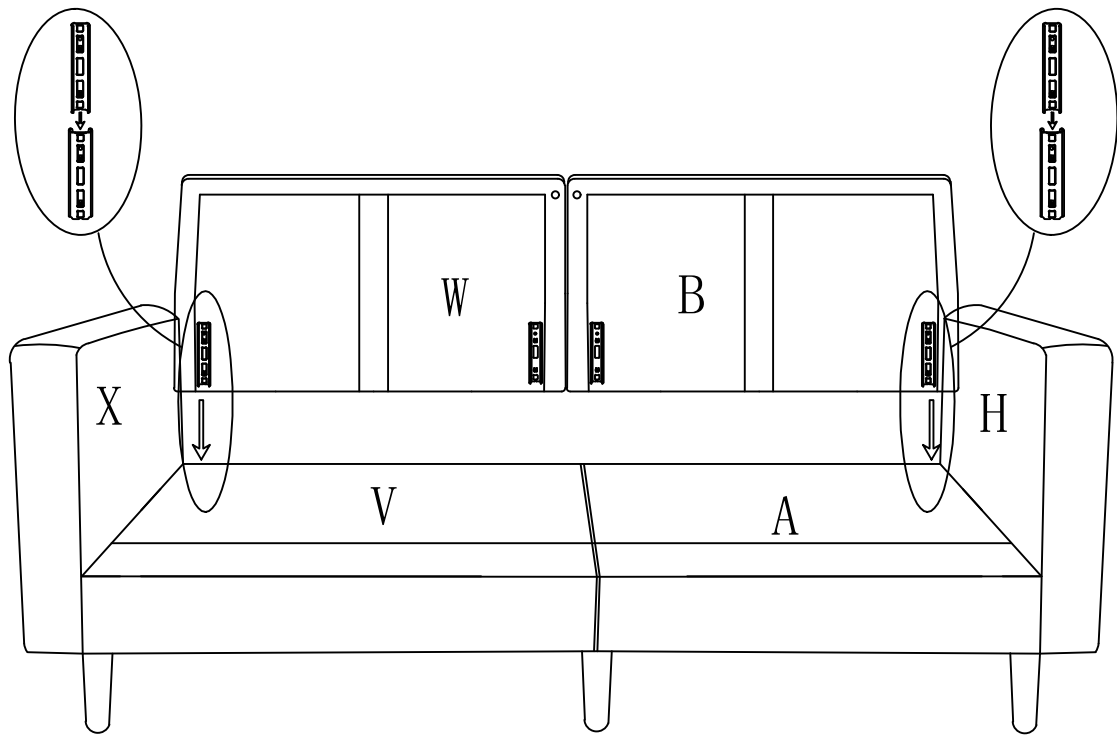
STEP5: Install the left armrest to the left seat frame.



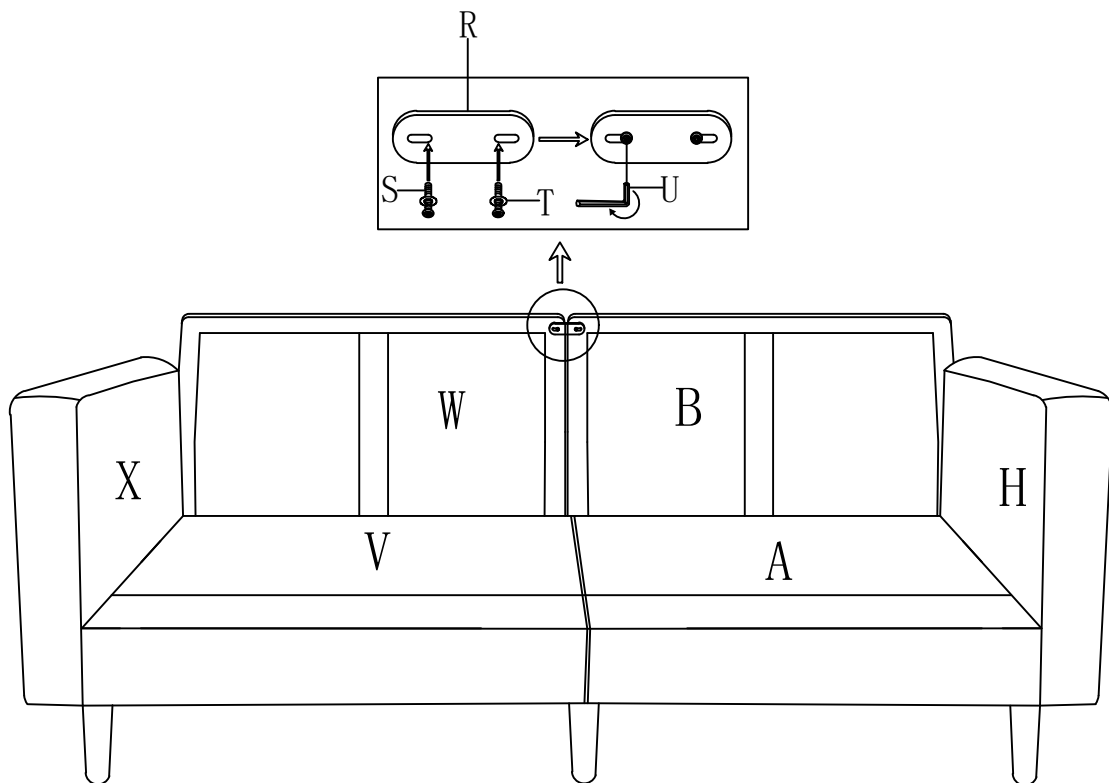
STEP6: Connect the fixed hardware in the middle of the sofa and install the sofa feet.



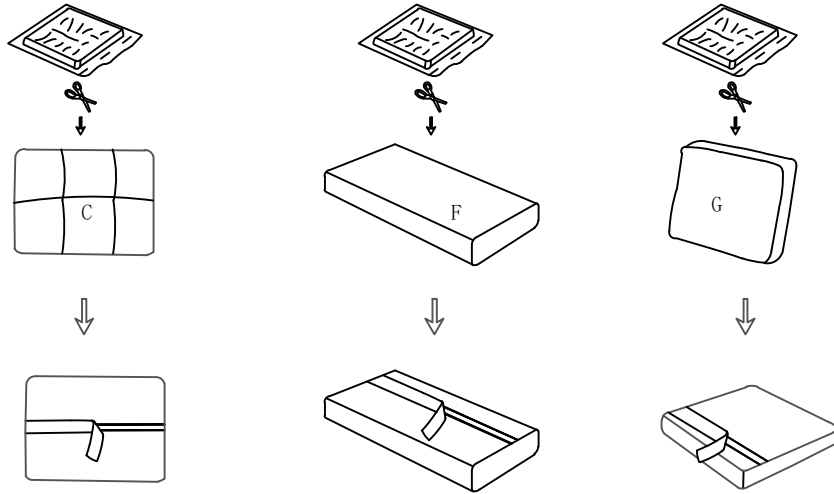
STEP7: Insert the backrest into the sofa base



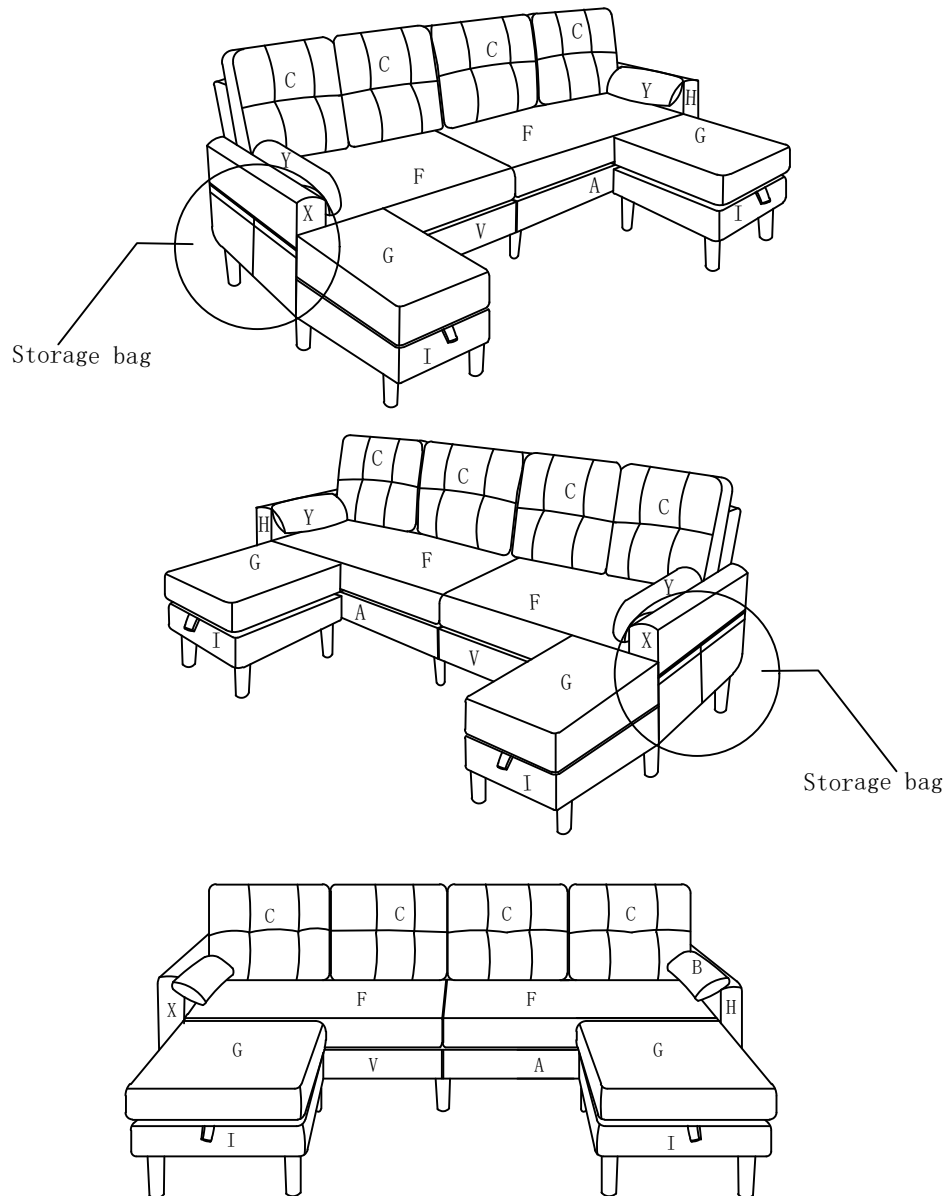
STEP8: Lock the backrest with the metal plate



STEP9: Cut the compressions bags

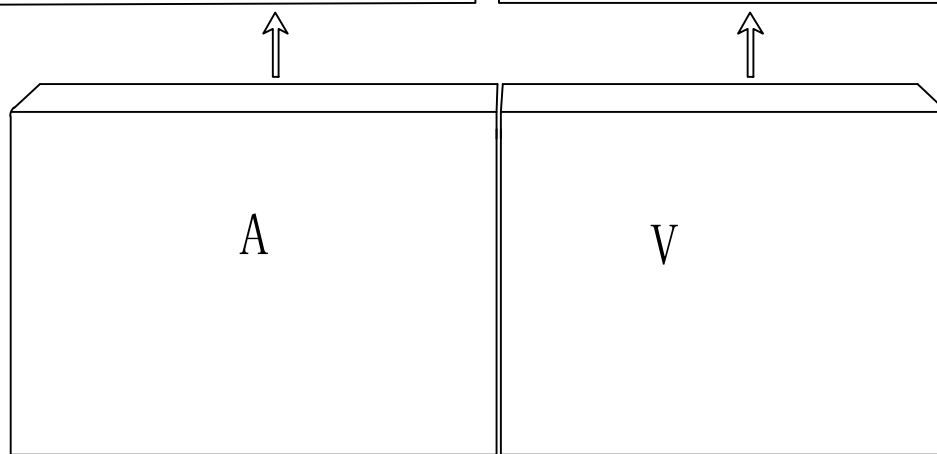
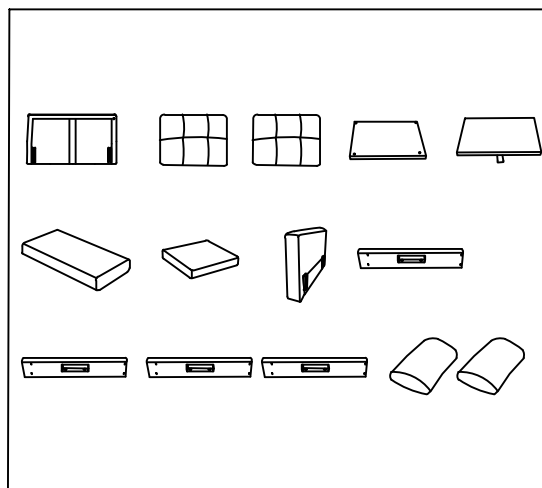
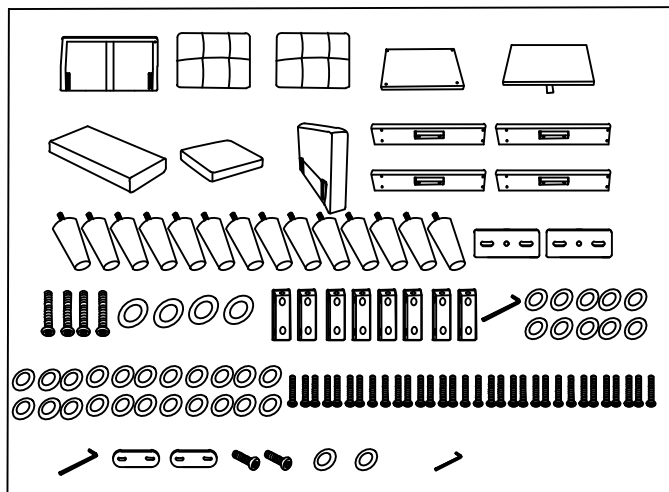


STEP10: Put the seat cushion and then the back cushions on the sofa



1. Part A、 B、 C、 D、 E、 F、 G、 H、 I、 J、 K、 L、 M、 N、 O、 P、 Q、 R、 S、 T、 U are placed in the box 1/2 (A)

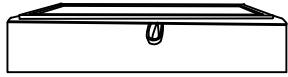
2. Part V、 W、 C、 D、 E、 F、 G、 X、 I、 Y are placed in the box 2/2 (V)



OTTOMAN

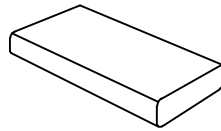
Accessories list

A



Ottoman frame with coffee table (1)

B



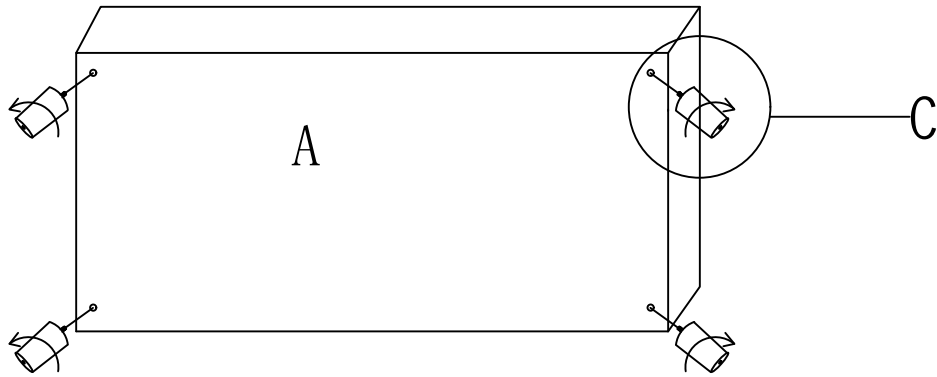
Seat cushion(1)

C

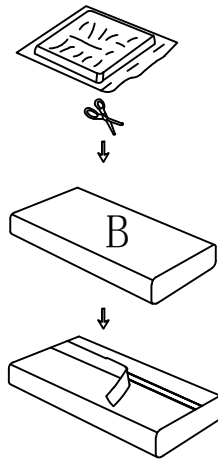


Sofa feet(4)

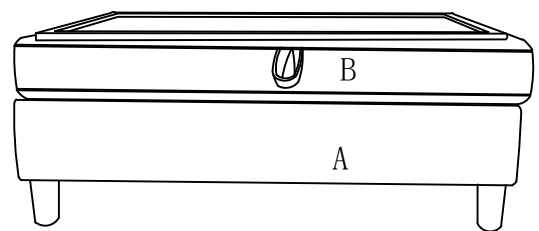
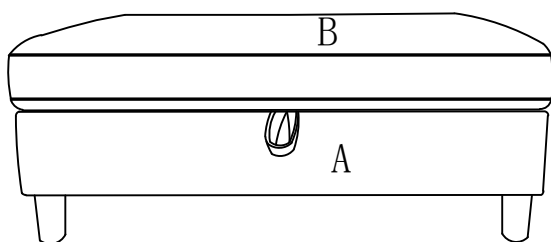
STEP1: Install the ottoman feet



STEP2: Cutting open the compression bag.

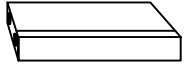
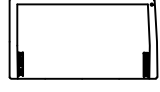
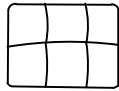

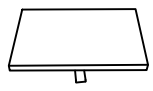
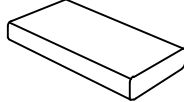
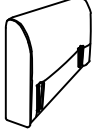


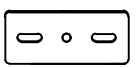
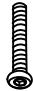


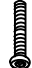


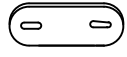




STEP3: The assembly is complete

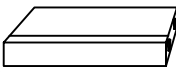
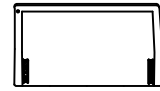
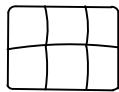
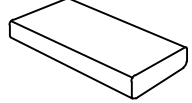
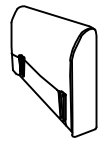

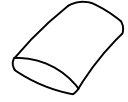


Accessories list(sitting sofa)

Carton 2/2

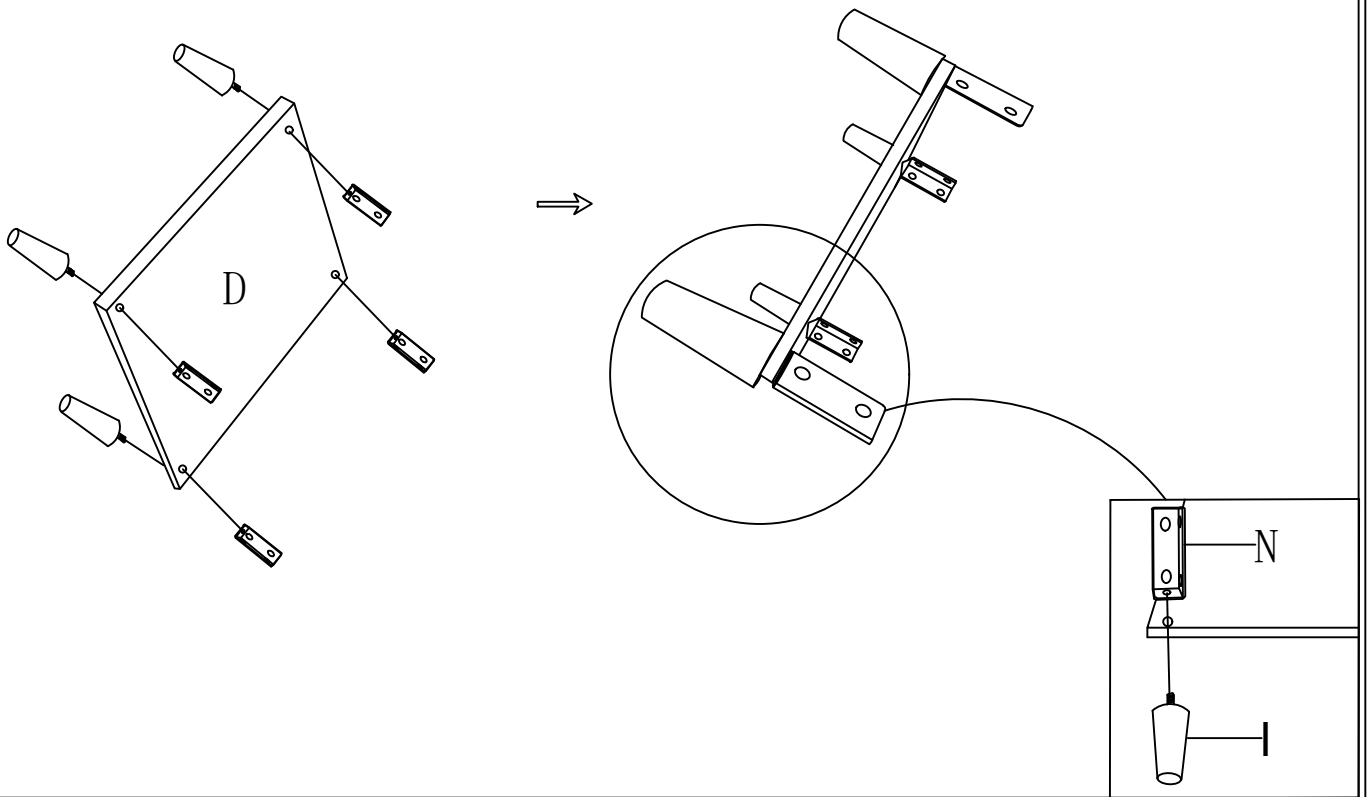
<p>A</p>  <p>Right seat frame(1)</p>	<p>B</p>  <p>Right backrest(1)</p>	<p>C</p>  <p>Back cushion(2)</p>	<p>D</p>  <p>Ottoman base plate (1)</p>	<p>E</p>  <p>Ottoman panel (1)</p>	
<p>F</p>  <p>Double seat cushion(1)</p>	<p>G</p>  <p>Right armrest(1)</p>	<p>H</p>  <p>Ottoman side panel (4)</p>	<p>I</p>  <p>Sofa feet (10)</p>	<p>J</p>  <p>Metal plate(2)</p>	
<p>K</p>  <p>8*35 Screw(6)</p>	<p>L</p>  <p>18mm Gasket (6)</p>	<p>N</p>  <p>Corner brace connector (4)</p>	<p>M</p>  <p>6*16 Screw(16)</p>	<p>O</p>  <p>18mm Gasket(16)</p>	
<p>P</p>  <p>M5*100*55 Wrench(1)</p>	<p>Q</p>  <p>Metal plate(1)</p>	<p>R</p>  <p>M4*65*23 Wrench(1)</p>	<p>X</p>  <p>Sofa feet(2)</p>		

Carton 1/2

<p>S</p>  <p>Left seat frame(1)</p>	<p>T</p>  <p>Left backrest(1)</p>	<p>C</p>  <p>Back cushion(2)</p>	<p>F</p>  <p>Double seat cushion(1)</p>	<p>U</p>  <p>Left armrest(1)</p>
<p>V</p>  <p>Ottoman seat cushion(1)</p>	<p>W</p>  <p>Armrest soft bag(2)</p>			

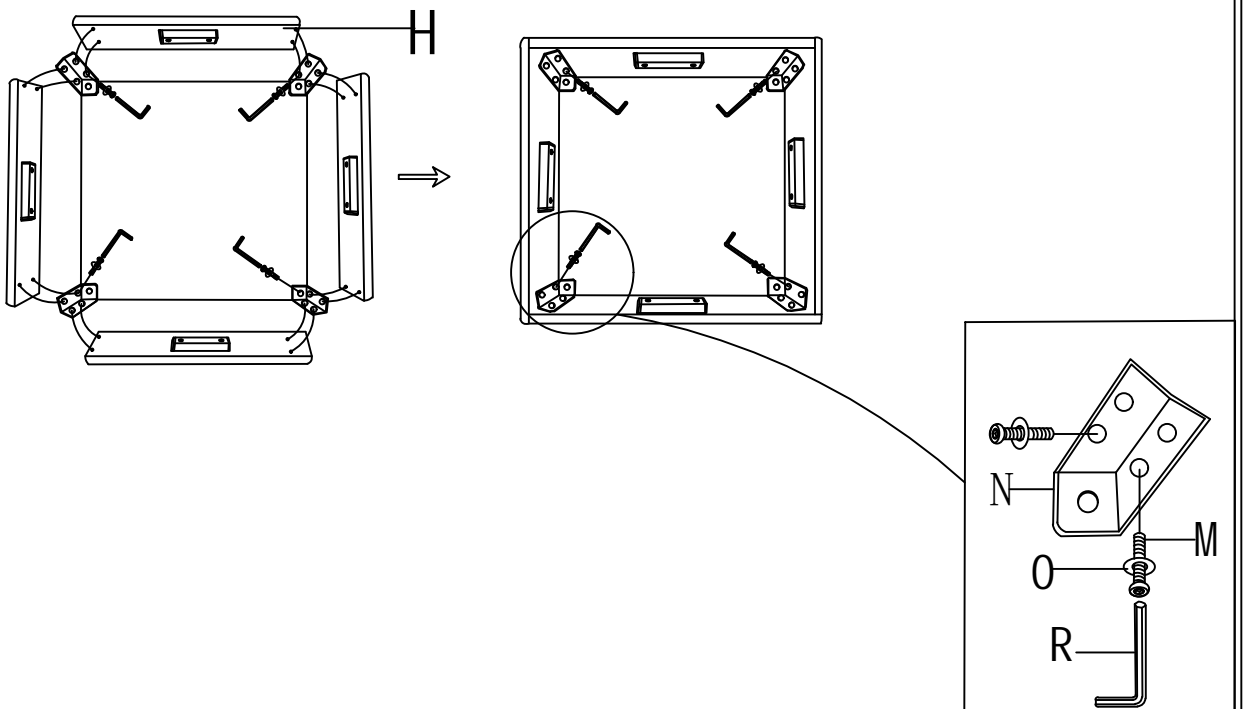
STEP1:

Install sofa feet to the base plate of ottoman with hardware
Note: Hardware face the smooth surface of ottoman base.

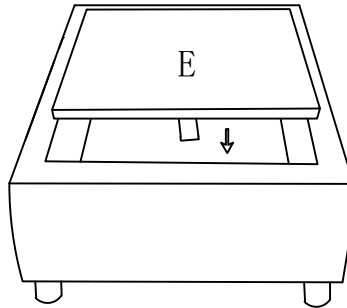


STEP3:

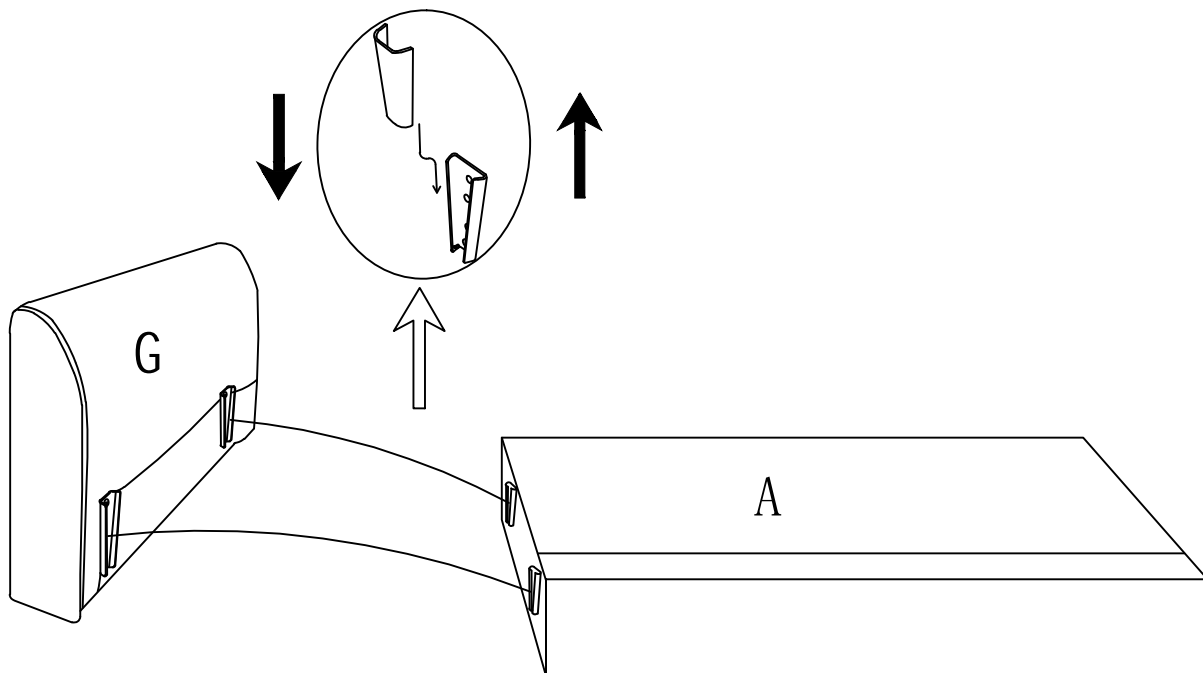
Connect the side panels of ottoman to the base plates with conner brace connector. Note: please distinguish between top and bottom of the side panels



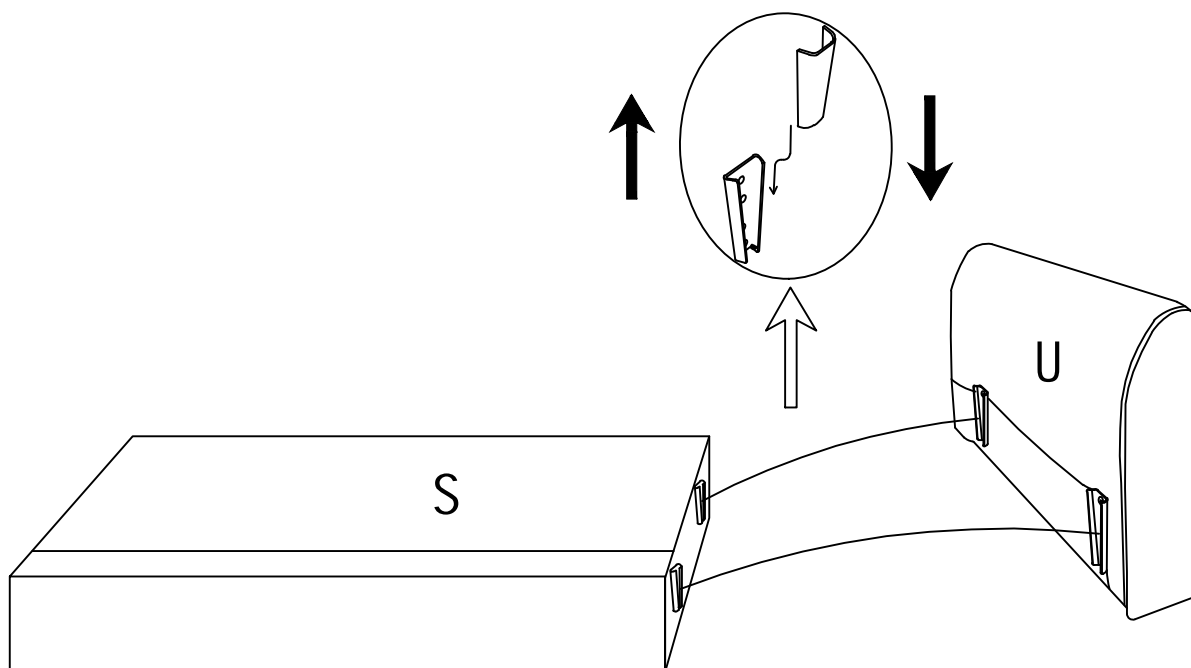
STEP3: Place the ottoman panel on the ottoman frame



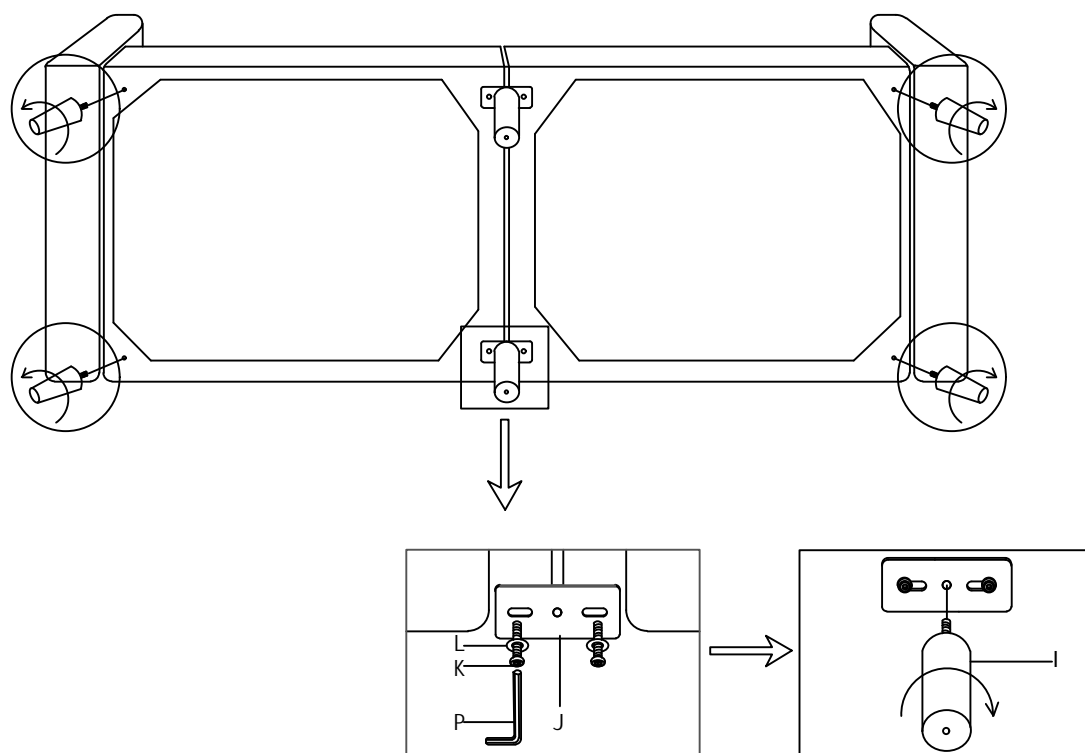
STEP4: Install the right armrest to the right seat frame.



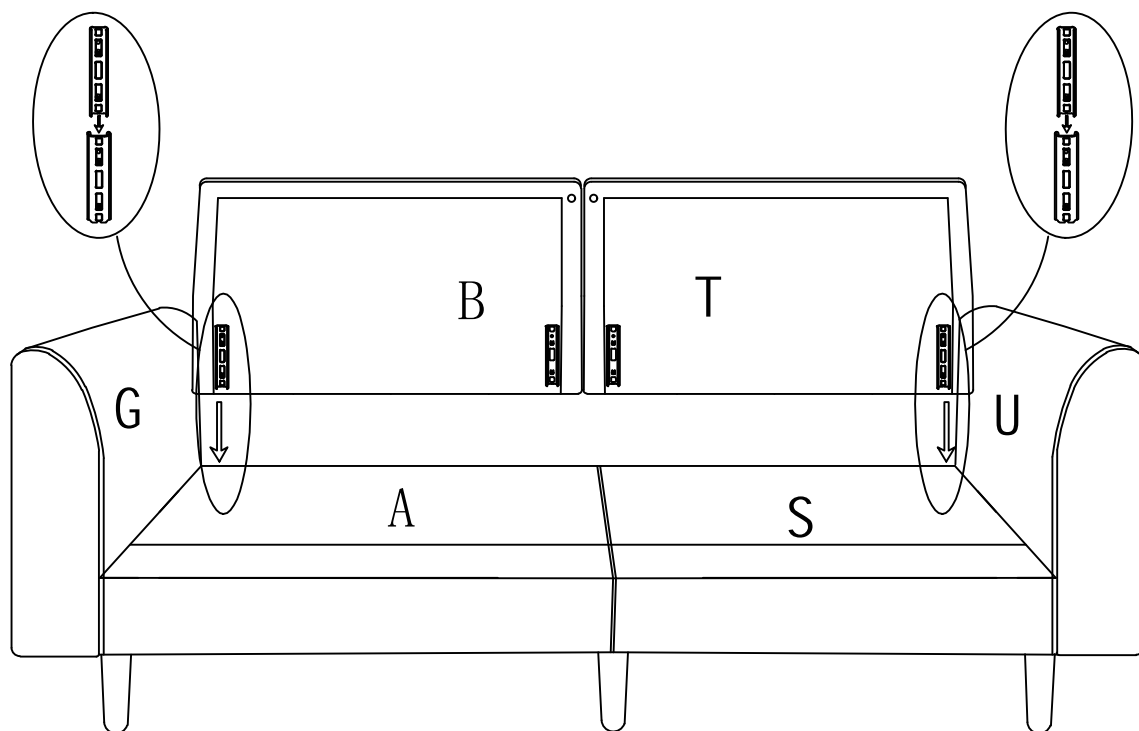
STEP5: Install the left armrest to the left seat frame.



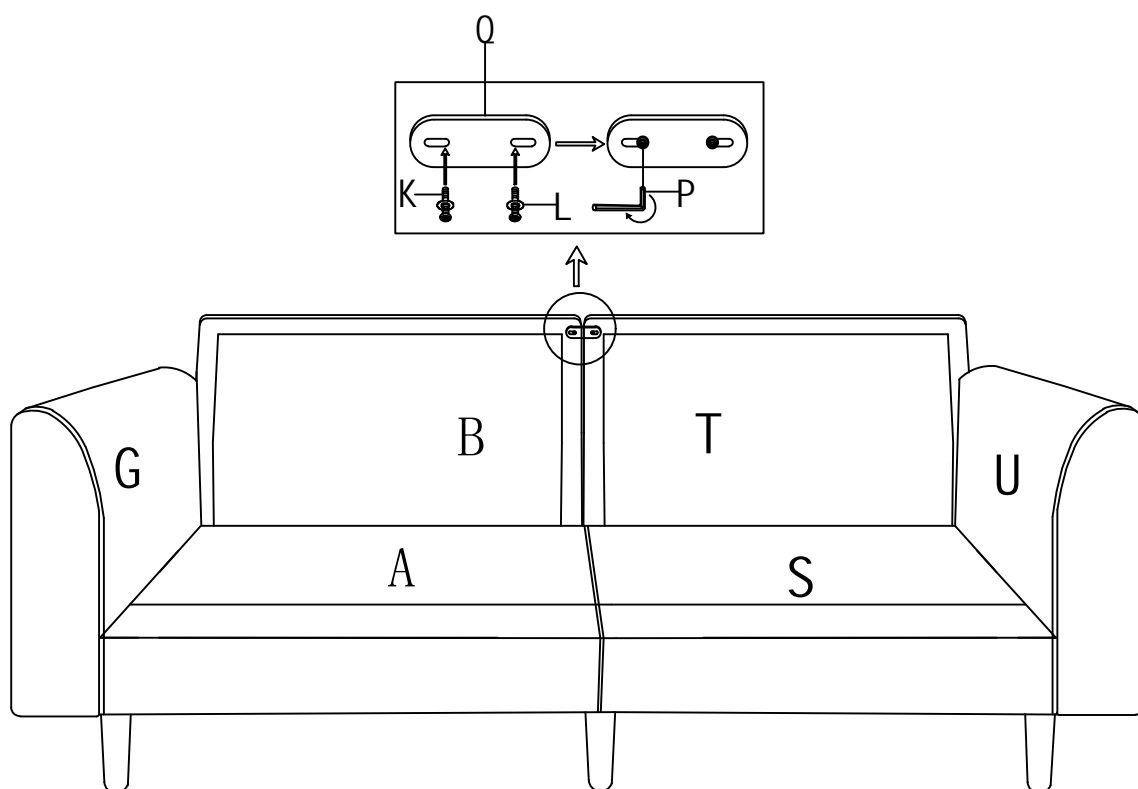
STEP6: Connect the fixed hardware in the middle of the sofa and install the sofa feet.



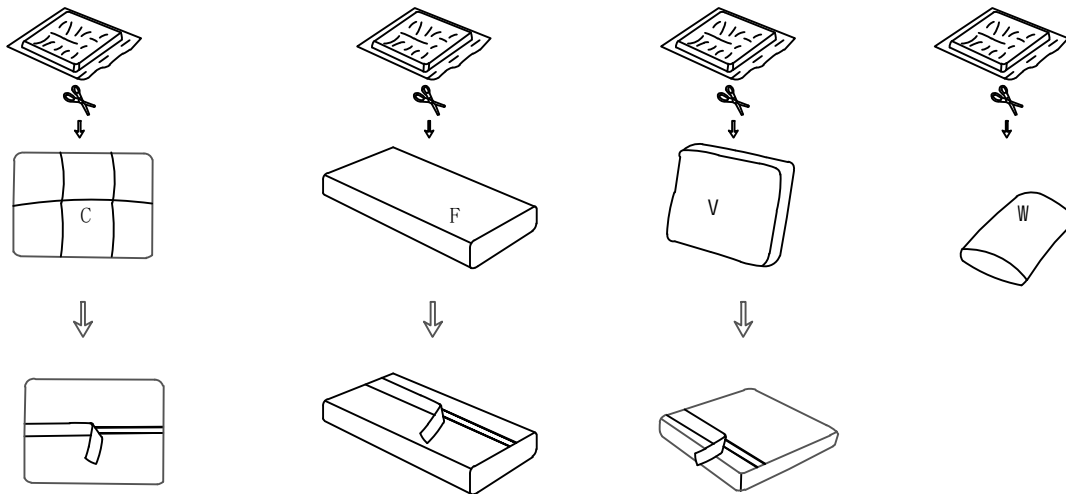
STEP7: Insert the backrest into the sofa base



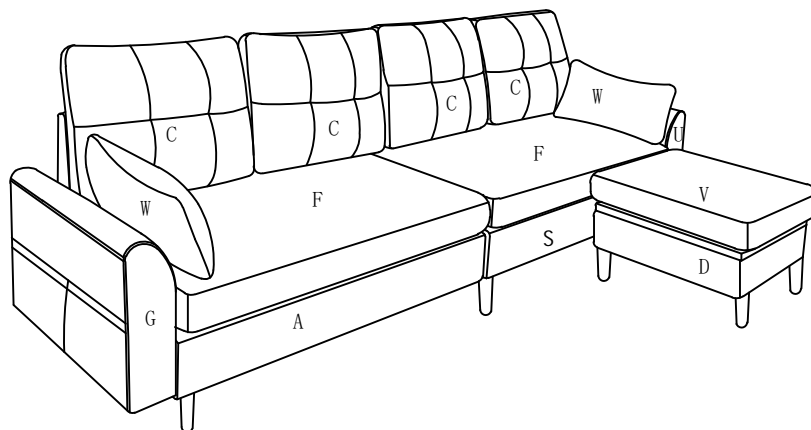
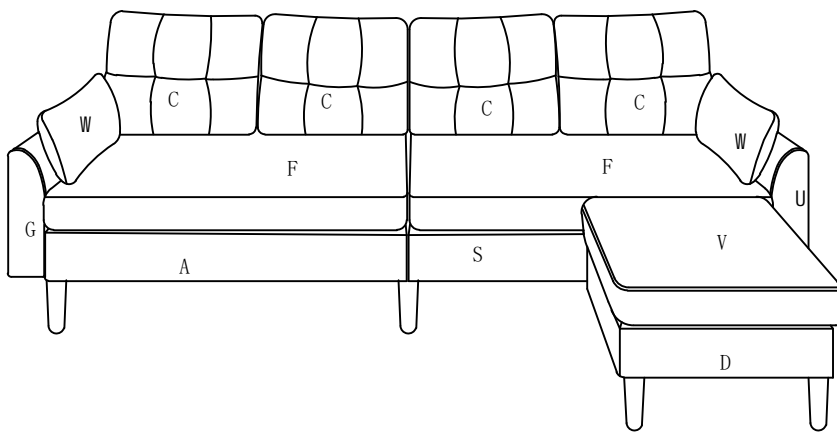
STEP8: Lock the backrest with the metal plate



STEP9: Cutting open the compression bag

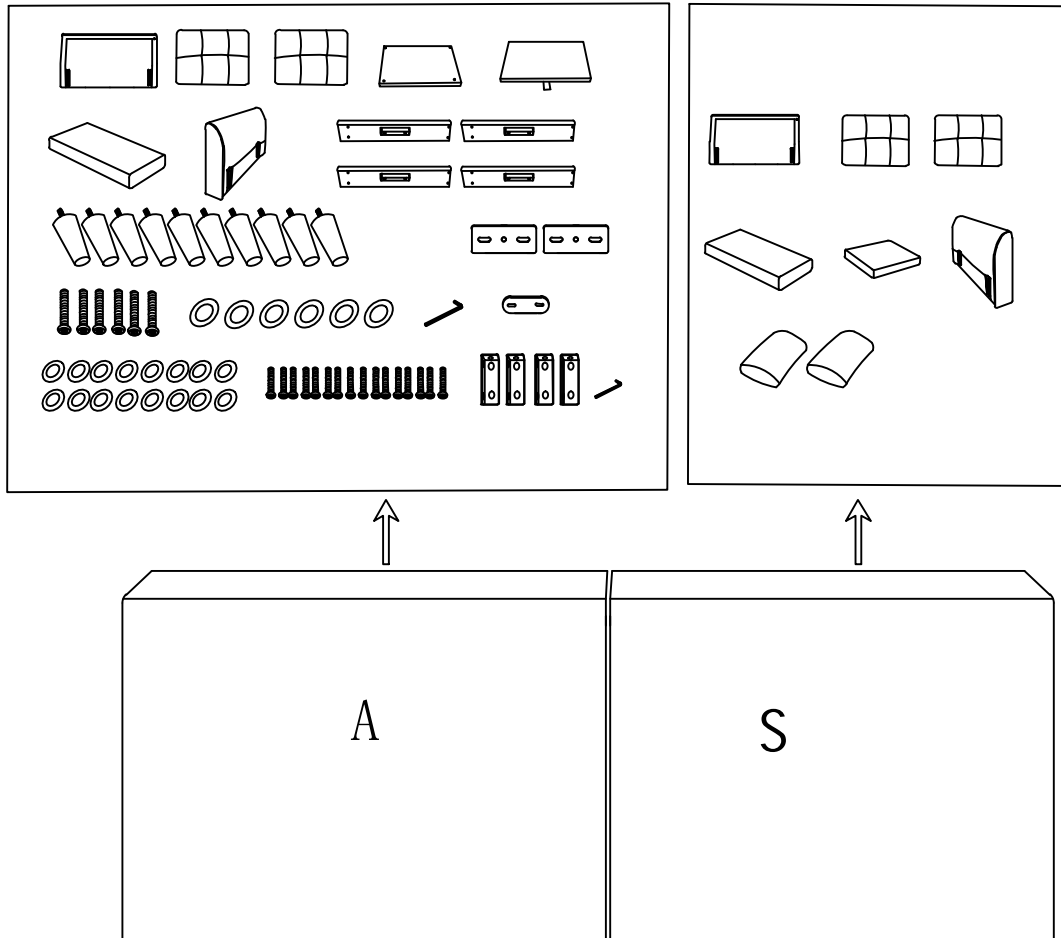


STEP10: Put the seat cushion and then the back cushions on the sofa



1. Part T, U, C, F, V, W placed in the box 1/2 (S)

2. Part B, C, D, E, F, G, H, I, J, K, L, N, M, O, P, Q, R are placed in the box 2/2 (A)



This set of sofa only requires 10 legs. Please pay attention to check the installation position. The extra 2 legs are spare ones.