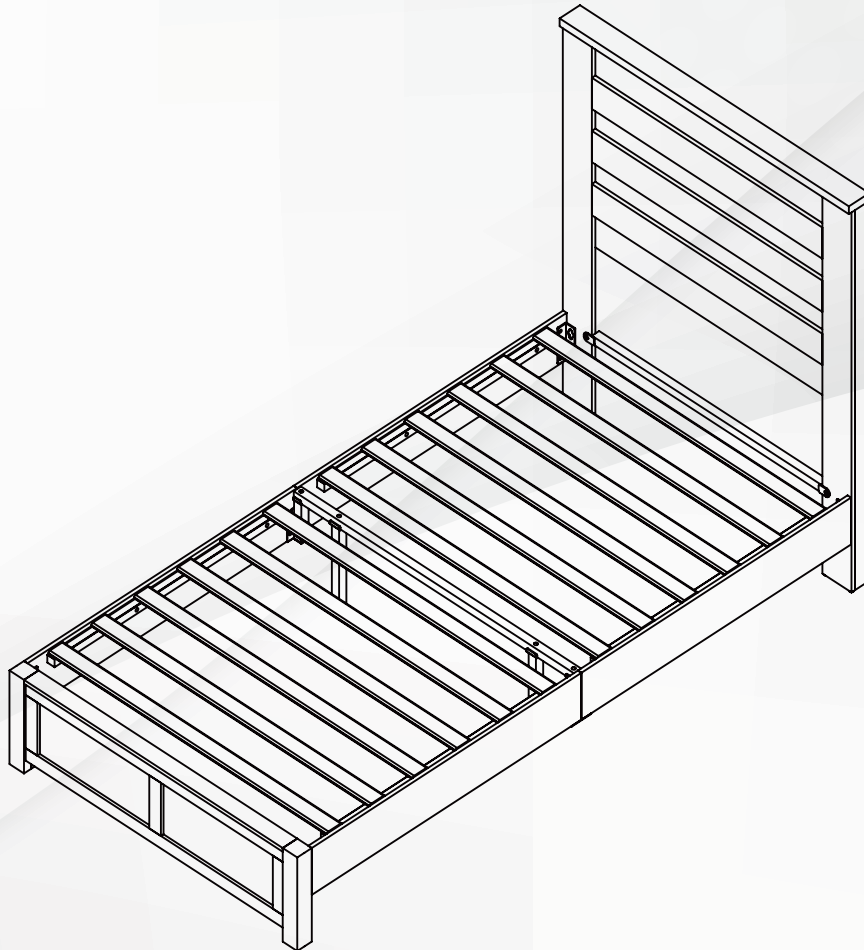


Installation manual

STORAGE BED FRAME

TWIN SIZE



Carefully reading this manual will help you complete the product installation more efficiently.



BEFORE YOU BEGIN

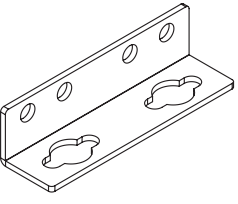
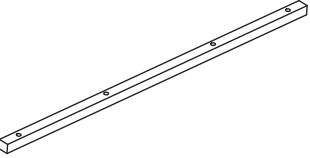
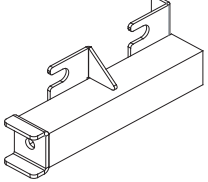
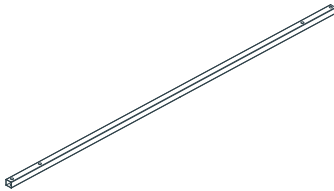
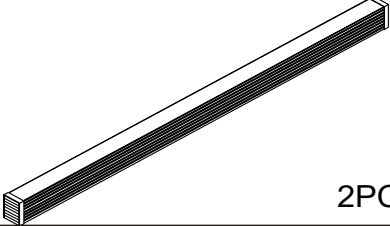
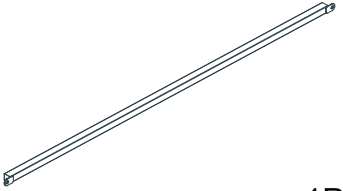
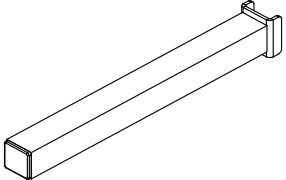
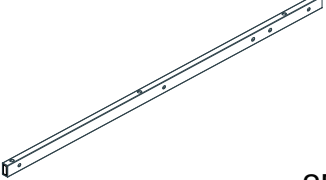
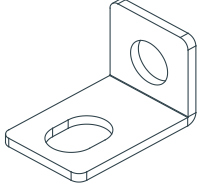
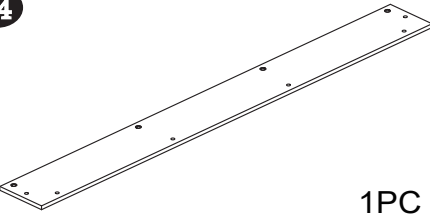
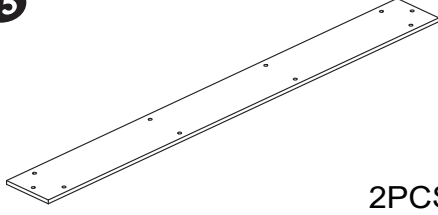
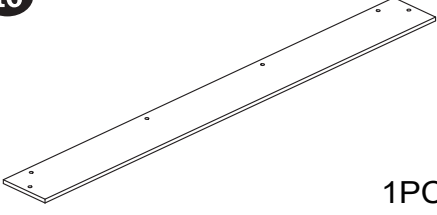
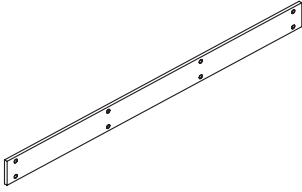
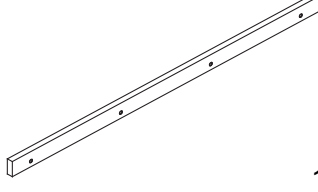
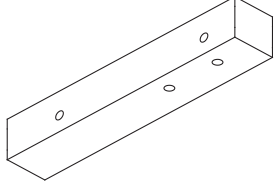
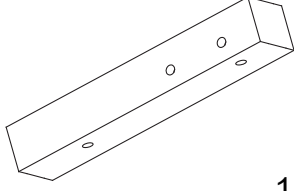
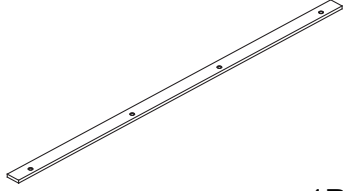
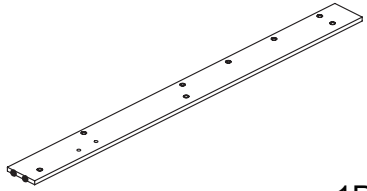
- Please read this guide carefully to familiarize yourself with the required tools, materials, and procedures. Follow the applicable sections to ensure proper assembly.
- This guide is based on the latest product information at the time of printing. The company reserves the right to make changes to product features, packaging, or availability without notice. Before assembling the furniture, ensure all necessary preparations are completed.
- This manual includes important installation, cleaning, and maintenance information. Please read and keep it for future reference.
- This furniture is made from **E1-grade board material**, with harmful gas emissions of less than 1.5mg/L, compliant with GB/T 15102-20170 standards.
- Before assembly, check if the product is damaged. Place it on a flat surface for balance.
- Avoid prolonged exposure to moisture and sunlight. Clean the furniture regularly with a **damp cloth only** to prevent bacterial growth.
- Do not expose the furniture to acidic, alkaline, or corrosive liquids. Handle with care during installation to avoid scratches or damage.
- For questions, contact customer service



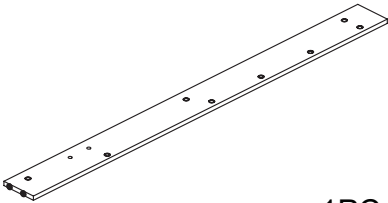
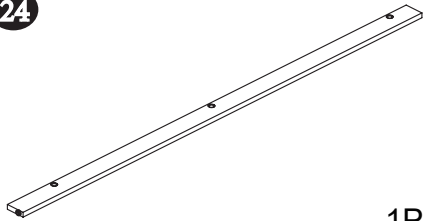
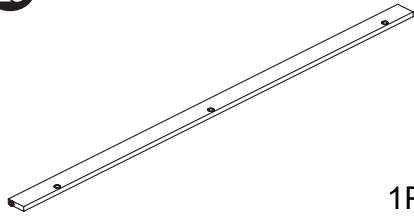
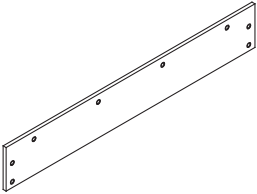
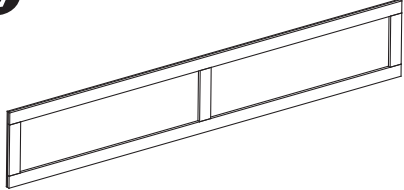
SAFETY WARNINGS

- Please follow the warning information displayed on this product and its packaging. Do not remove the warning labels.
- Always use recommended mattress sizes or supports to prevent entrapment or falling.
- Regularly inspect the product for proper assembly, damage, and tightness.
- Do not play or jump on the bed
- Avoid using replacement parts without manufacturer approval.
- Do not use waterbeds or floating mattresses.
- Avoid attaching any objects like hooks, straps, or ropes to the bed.
- Please keep this manual for future reference.
- Safety is a shared responsibility between us as the manufacturer and you as the guardian. Please read and consider the warnings on the page.


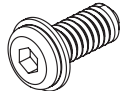
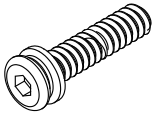
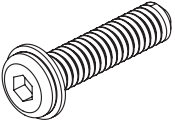
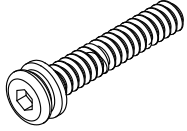
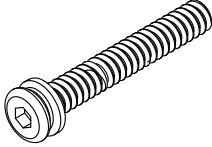
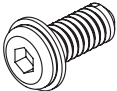
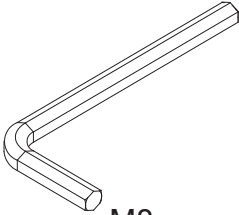
PARTS LIST

L  4PCS	2  4PCS	3  2PCS
4  1PC	5  2PCS	6  1PC
10  2PCS	11  2PCS	12  12PCS
14  1PC	15  2PCS	16  1PC
17  3PCS	18  1PC	19  1PC
20  1PC	21  1PC	22  1PC

PARTS LIST

<p>23</p>  <p>1PC</p>	<p>24</p>  <p>1PC</p>	<p>25</p>  <p>1PC</p>
<p>26</p>  <p>4PCS</p>	<p>27</p>  <p>1PC</p>	

PARTS LIST

<p>A</p>  <p>M8*12 Ø1/8x15/32" 42PCS</p>	<p>B</p>  <p>M8*20 Ø5/16x25/32" 32PCS</p>	<p>C</p>  <p>M8*30 Ø5/16x1x3/16" 6PCS</p>
<p>D</p>  <p>M8*35 Ø5/16x1x5/16" Color Zinc 20PCS</p>	<p>E</p>  <p>M8*40 Ø5/16x1x19/32" 4PCS</p>	<p>F</p>  <p>M8*50 Ø5/16x2 6PCS</p>
<p>G</p>  <p>M8*18 Ø5/16x23/32" Color Zinc 4PCS</p>	<p>H</p>  <p>M8 1PC</p>	

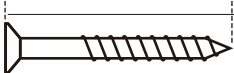
TOOLS REQUIRED



Phillips screwdriver
(medium & large)

RULER - USE THIS RULER TO HELP CORRECTLY IDENTIFY THE SCREWS

0 5 10 15 20 25 30 35 40 45 50 55 60 65 70 75 80 85 90 95 100 105 110 115 120 125 130 135 140 145 150 155 160 165 170



The screws length is measured from the head to the point (30mm screw shown).

CUSTOMER SERVICE GUIDE

Thank you for choosing our product! We are committed to providing you with excellent service. If you find any missing parts, damaged packaging, or product damage after receiving all packages, please follow the steps below to quickly contact our customer service team. We will do our best to resolve your issue.

1. Missing Parts

Verify Parts:

1. Refer to the Parts List in the manual to verify the name, specifications, and quantity of the missing parts.
2. Take a clear photo of the parts list and mark the missing parts with detailed information, e.g., "Missing 5 pieces of M6X30mm screws."

2. Product or Packaging Damage

If it affects normal use:

Steps:

1. Take clear photos or videos showing the damaged parts and the extent of the damage (multiangle shots are recommended).
2. Email the photos/videos along with order details , with the subject line "Product Damage Issue."

Resolution:

After verification, we will arrange for a replacement part, product exchange, or refund as quickly as possible.

If it does not affect normal use:

Steps:

1. Contact our customer service team
2. Provide a description of the damage and include relevant photos or videos.

Resolution:

We will provide repair guidance or an appropriate compensation plan based on the specific situation.

Helpful Tips

To process your issue efficiently, please prepare the following information:

- Order details (order number, purchase platform, purchase date).
- Clear photos or videos.
- We are committed to providing quick and professional solutions, no matter the size of the issue, to ensure your satisfaction.

Thank you for your trust and support! We hope you enjoy using our product!

STORAGE BED FRAME

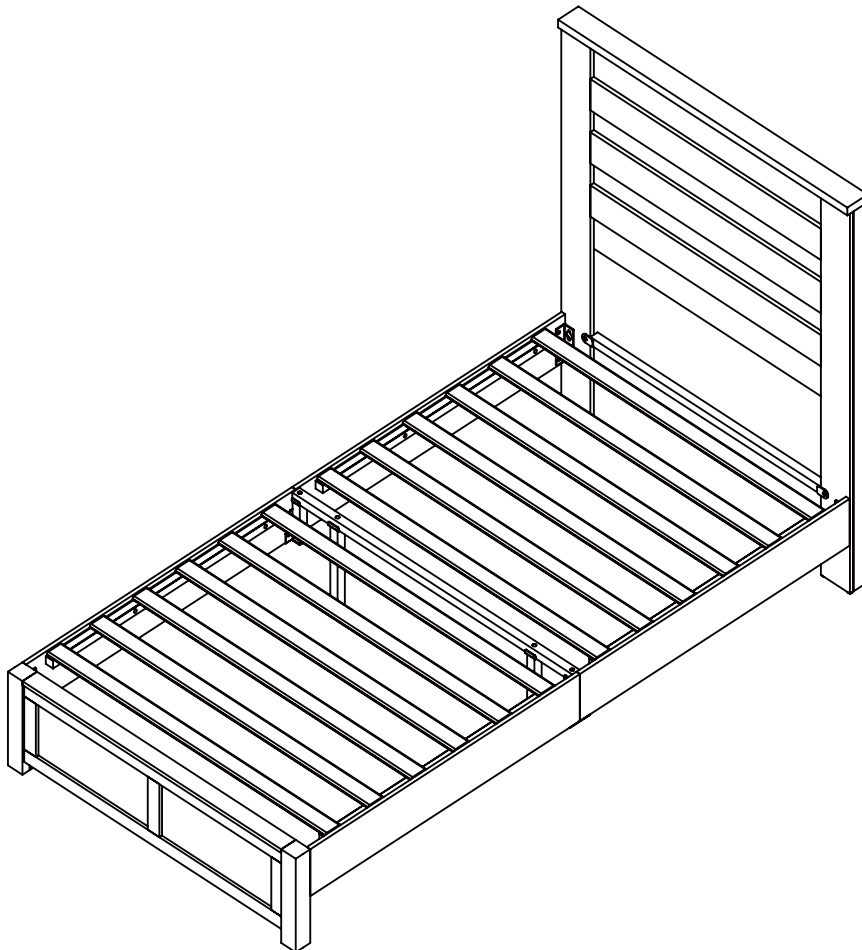
ASSEMBLY INSTRUCTIONS - PLEASE KEEP FOR FUTURE REFERENCE



NOTE:

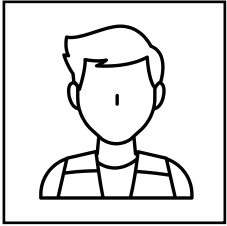
Comes with TWO PACKAGES with TWO TRACKINGS, may NOT be delivered at the same time.

TWIN SIZE :

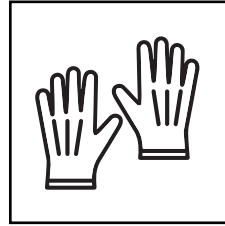


Important - Please read these instructions fully before starting assembly

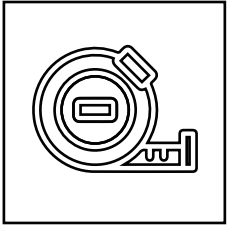
TOOLS & EQUIPMENT



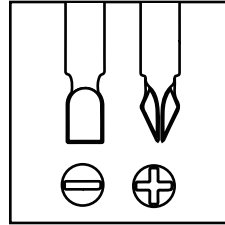
2 people needed



Work gloves



Tape measure



Other Tools Required
Phillips Screwdriver
(Not Included)

SIMPLE ASSEMBLY STEPS

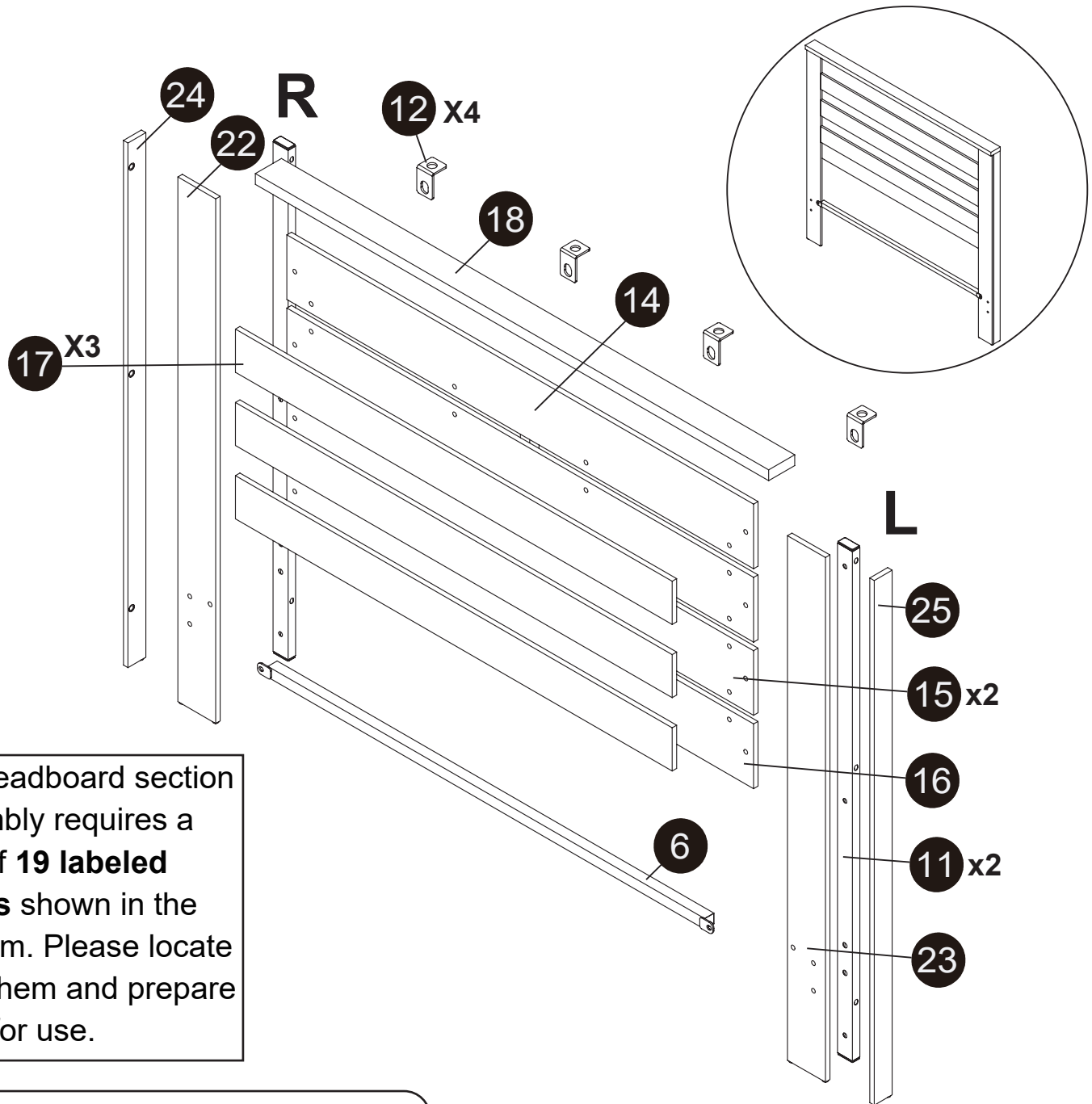
1. Read the manual carefully.
2. Check all parts and hardware.
3. Prepare necessary tools.
4. Have at least two adults for assembly.
5. Assemble on a flat surface for balance.
6. Do not tighten screws until assembly is complete.

Protect parts during assembly. Clean surfaces with a damp cloth only.

Customer Support:


If parts are missing or you need assistance, please contact us. When calling or emailing, please provide your order number and relevant product information.

HEADBOARD SECTION



The headboard section assembly requires a total of **19 labeled panels** shown in the diagram. Please locate all of them and prepare them for use.

HARDWARE ACCESSORY LIST

A  $\varnothing 8 \times 12 \text{mm}$
10 pcs

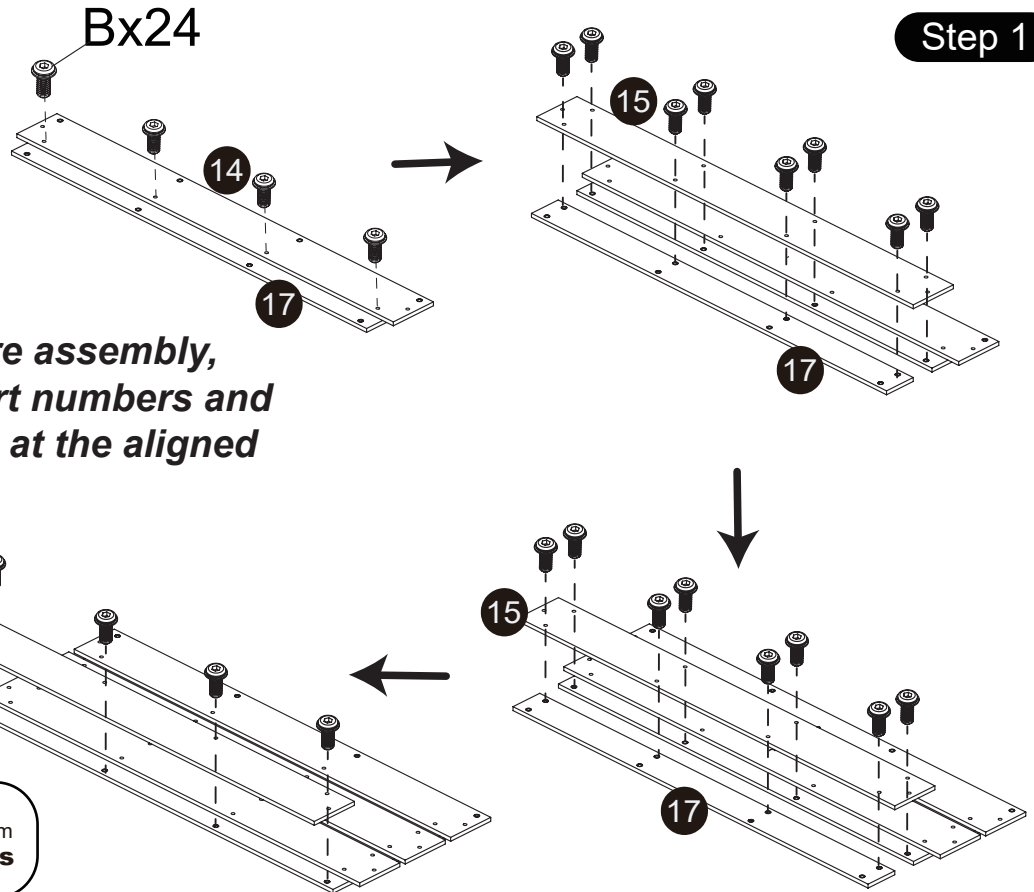
B  $\varnothing 8 \times 20 \text{mm}$
32 pcs

C  $\varnothing 8 \times 30 \text{mm}$
6 pcs

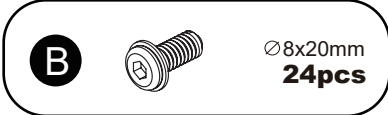
F  $\varnothing 8 \times 50 \text{mm}$
6 pcs

Headboard Section

Step 1

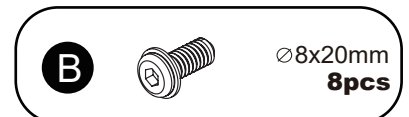
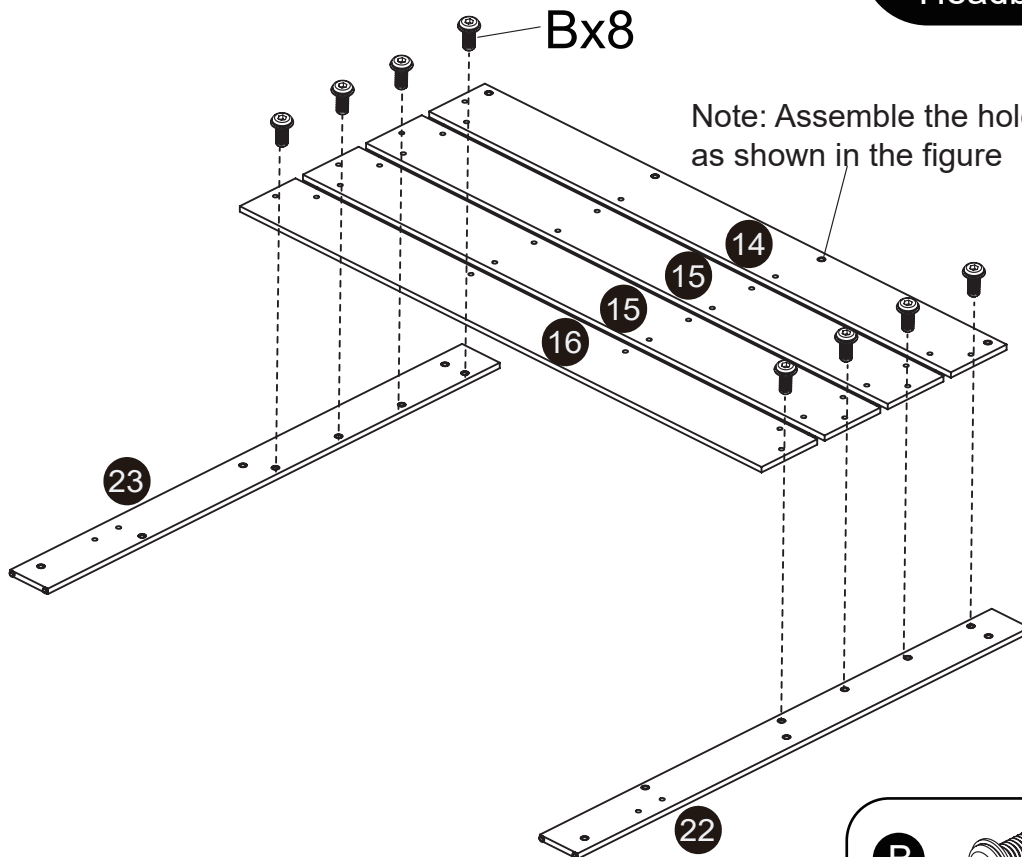


NOTE: Before assembly, identify the part numbers and assemble them at the aligned hole positions .



Headboard Section

Step 2

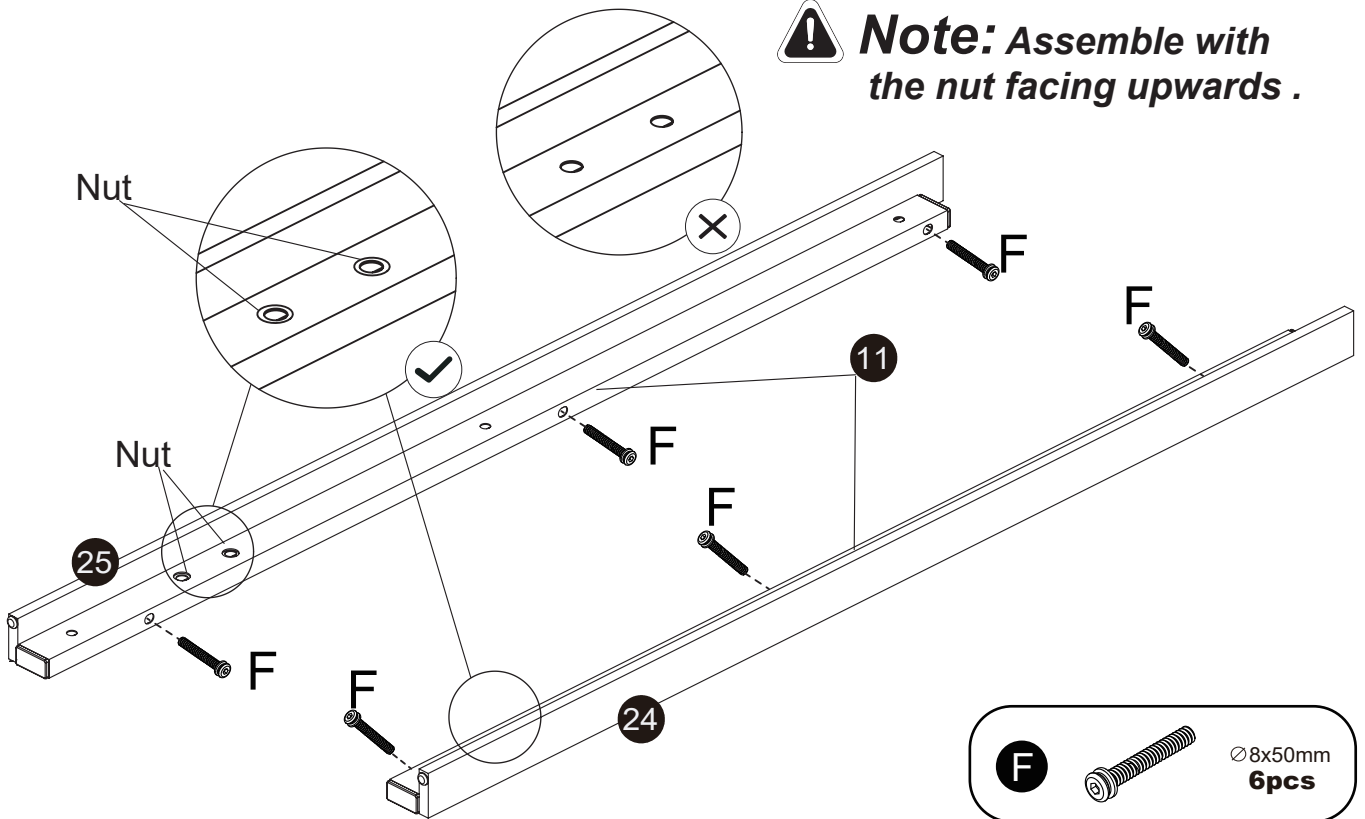


Headboard Section

Step 3

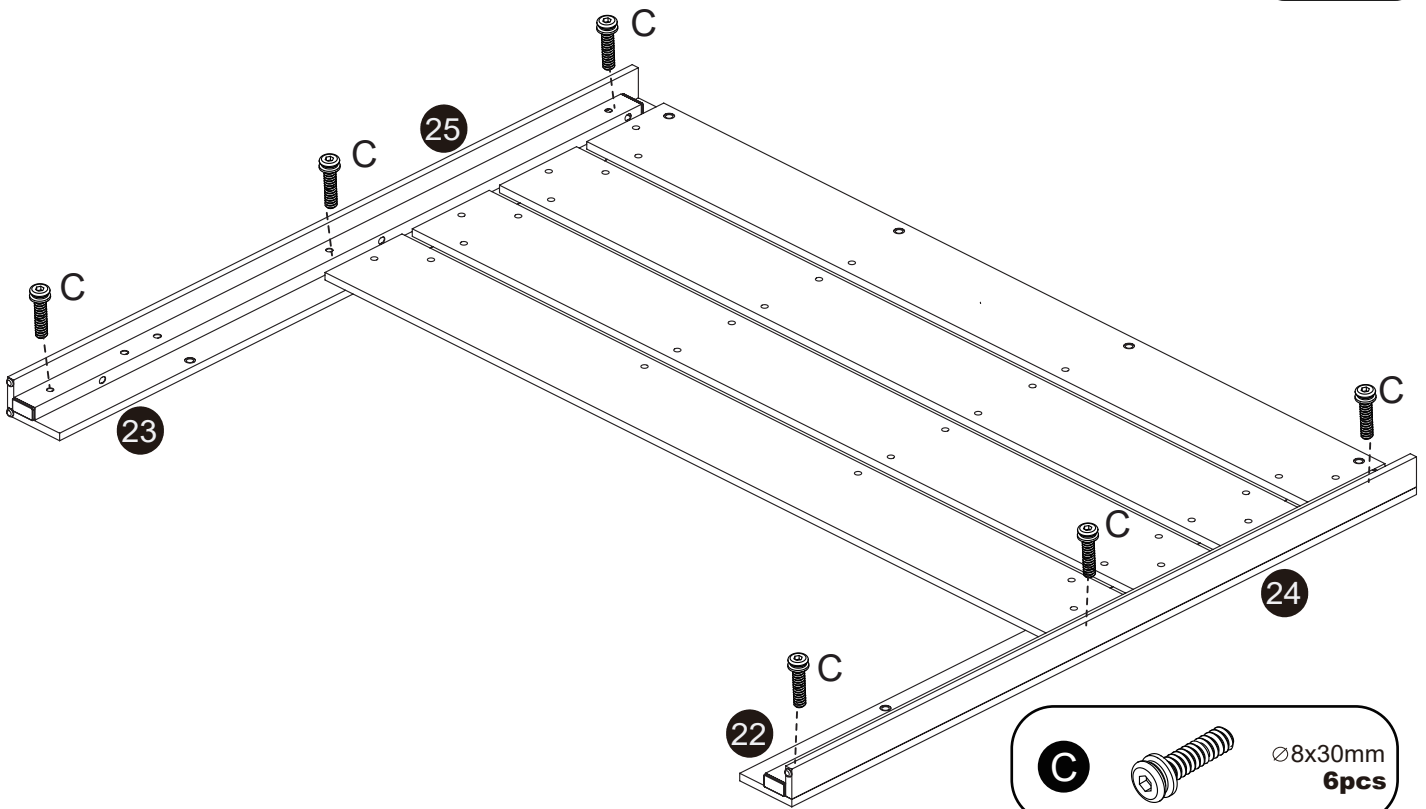


Note: Assemble with the nut facing upwards.



Headboard Section

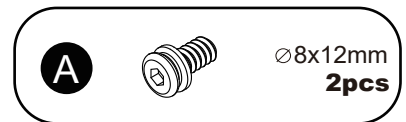
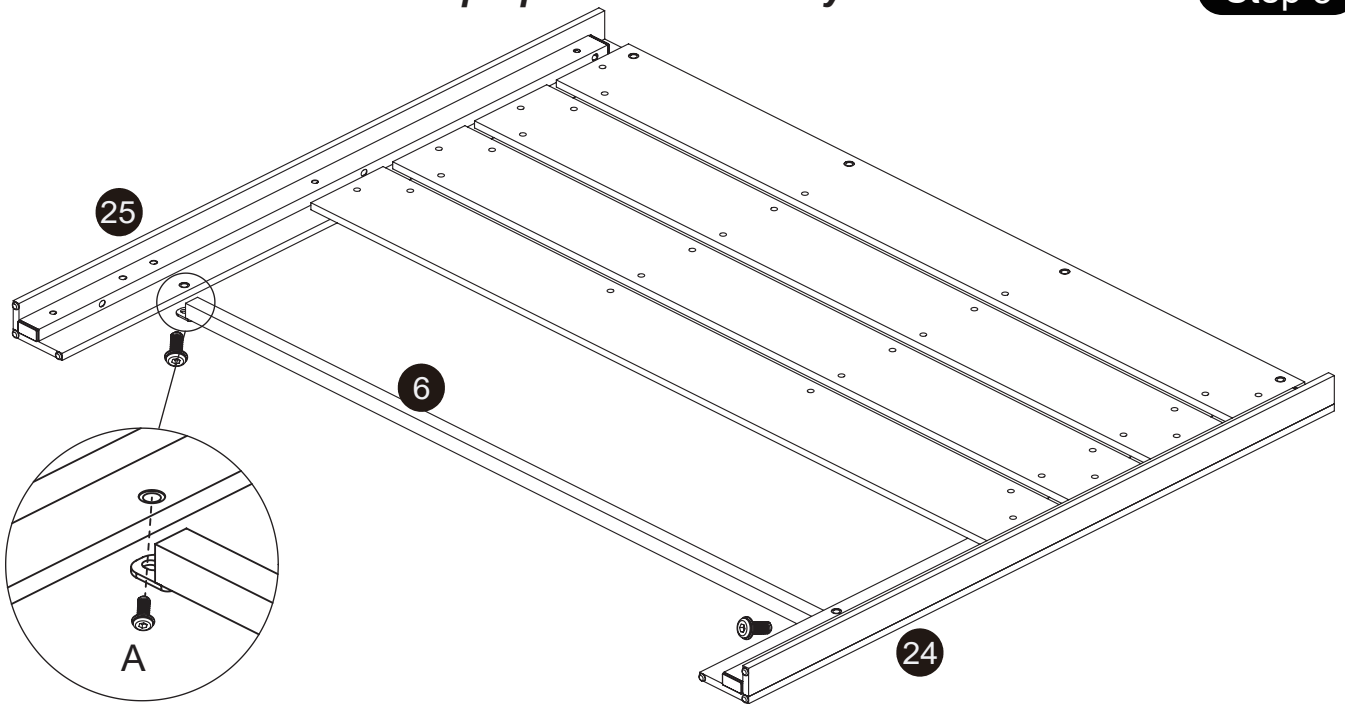
Step 4



Headboard Section

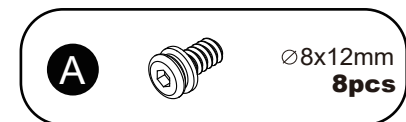
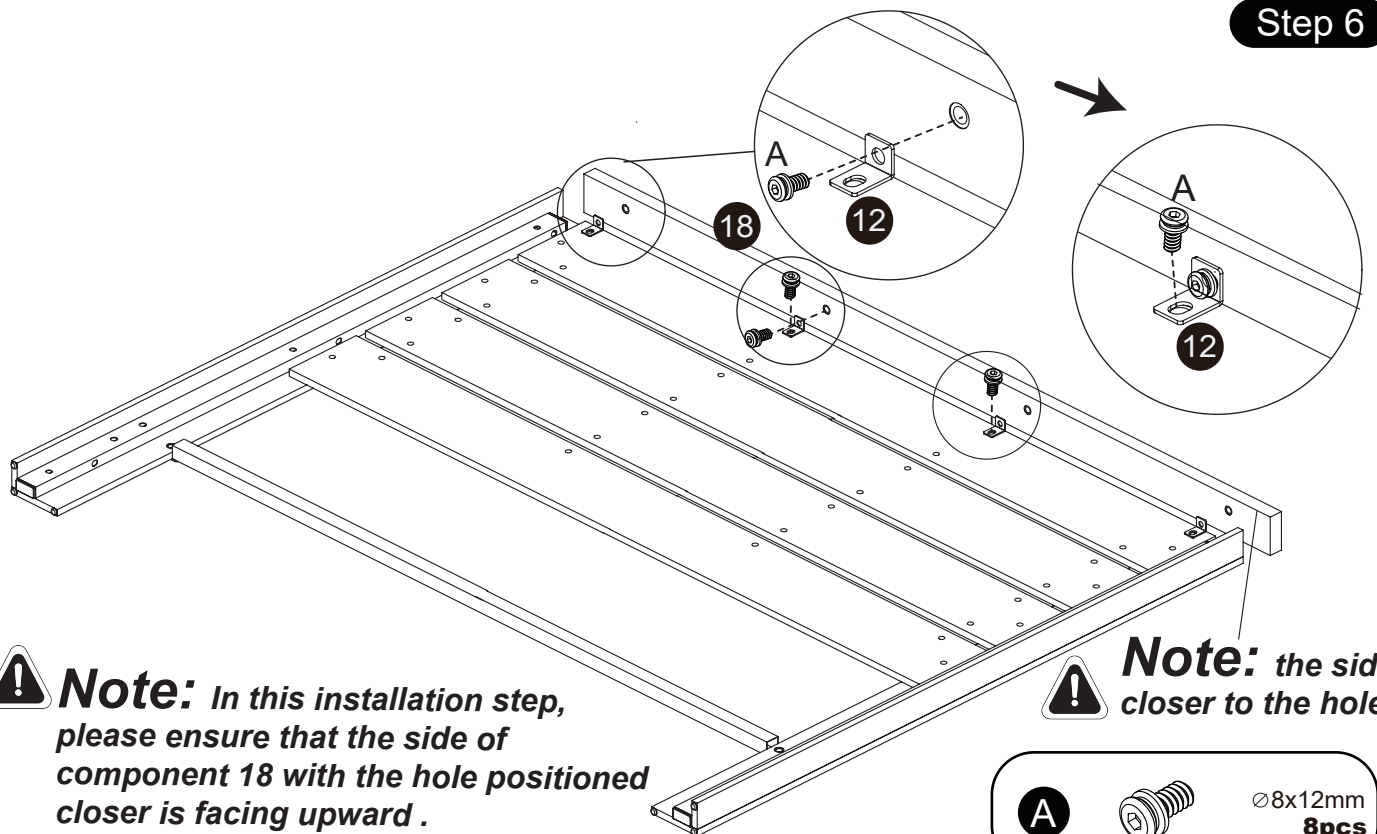
Step 5

Note: Lift the wooden board to prepare for assembly .



Headboard Section

Step 6

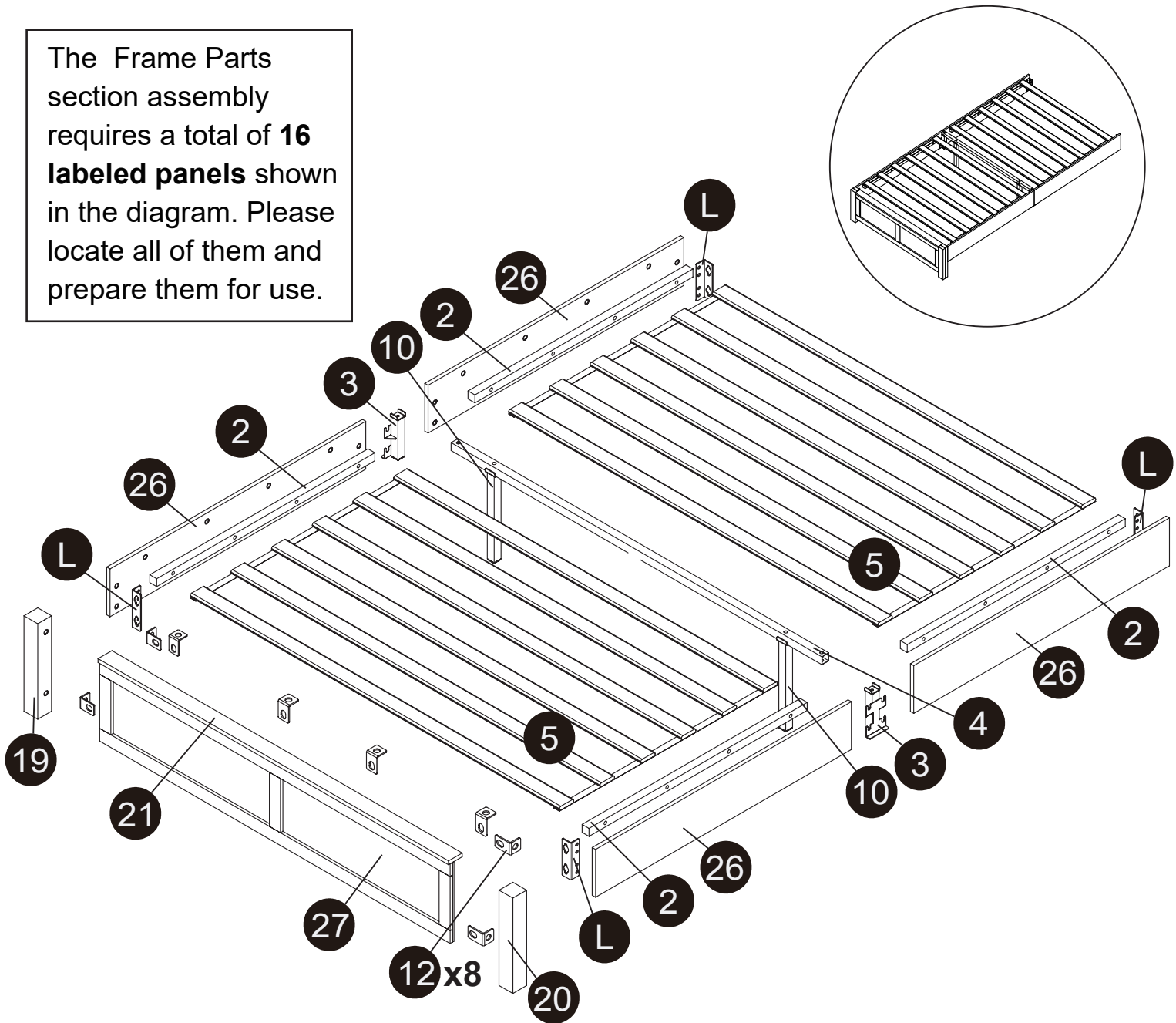


Note: In this installation step, please ensure that the side of component 18 with the hole positioned closer is facing upward .

Note: the side closer to the hole .

FRAME PARTS SECTION

The Frame Parts section assembly requires a total of **16 labeled panels** shown in the diagram. Please locate all of them and prepare them for use.



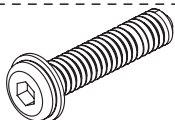
HARDWARE ACCESSORY LIST

A



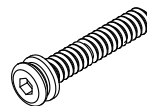
Ø8x12mm
32pcs

D



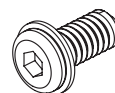
Ø8x33mm Color Zinc
20pcs

E



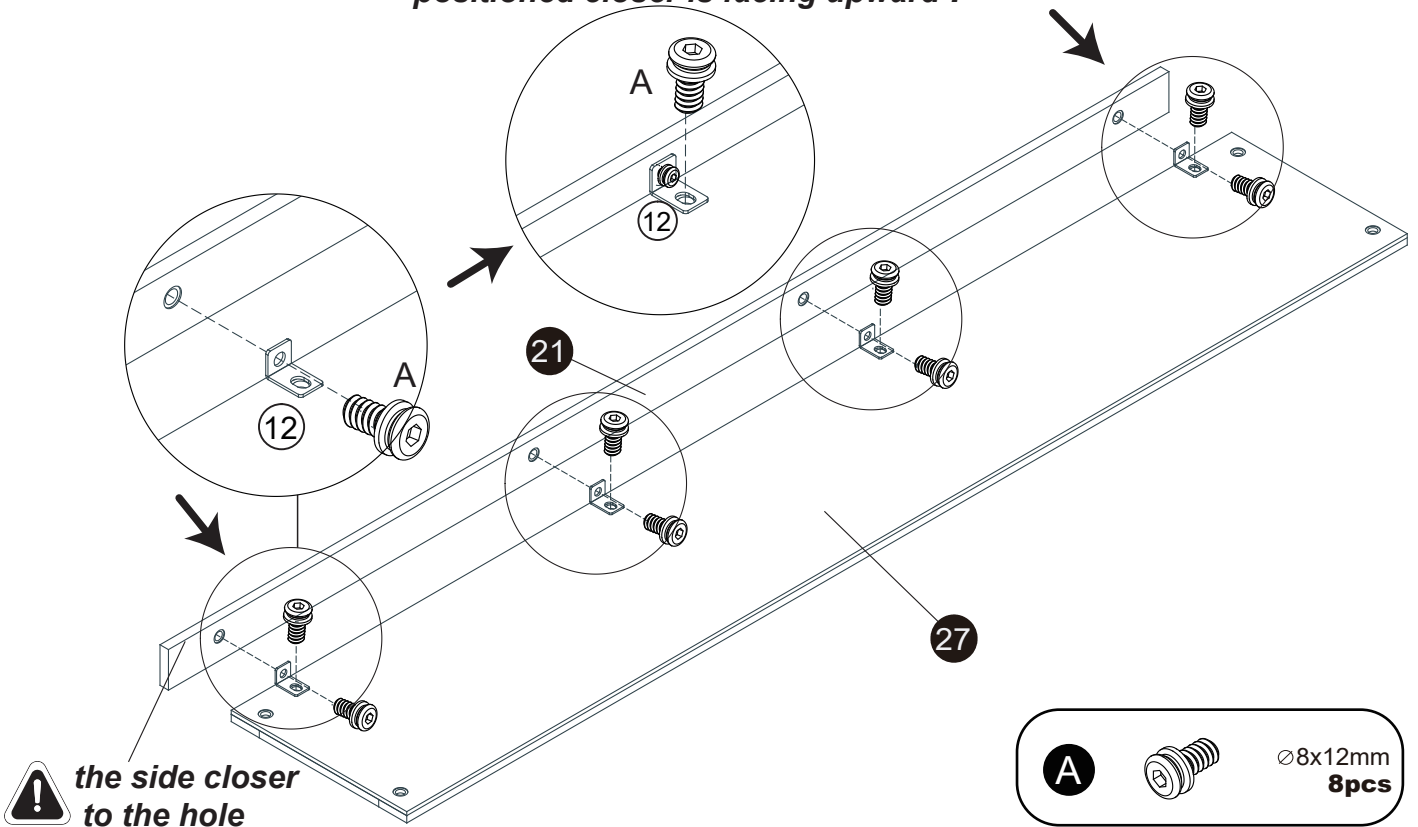
Ø8x40mm
4pcs

G

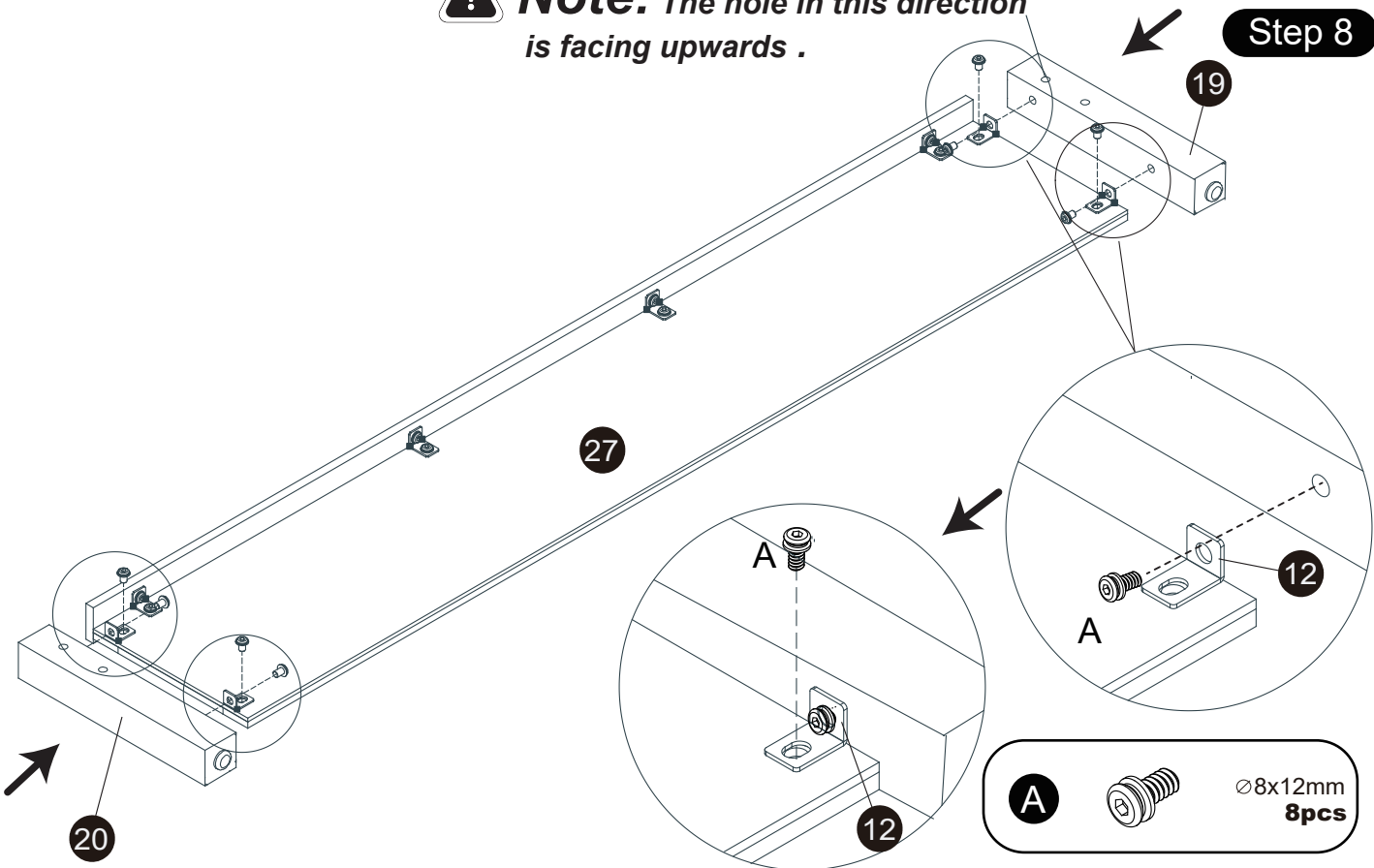


Ø8x18mm Color Zinc
4pcs

Note: In this installation step, please ensure that the side of component 21 with the hole positioned closer is facing upward.



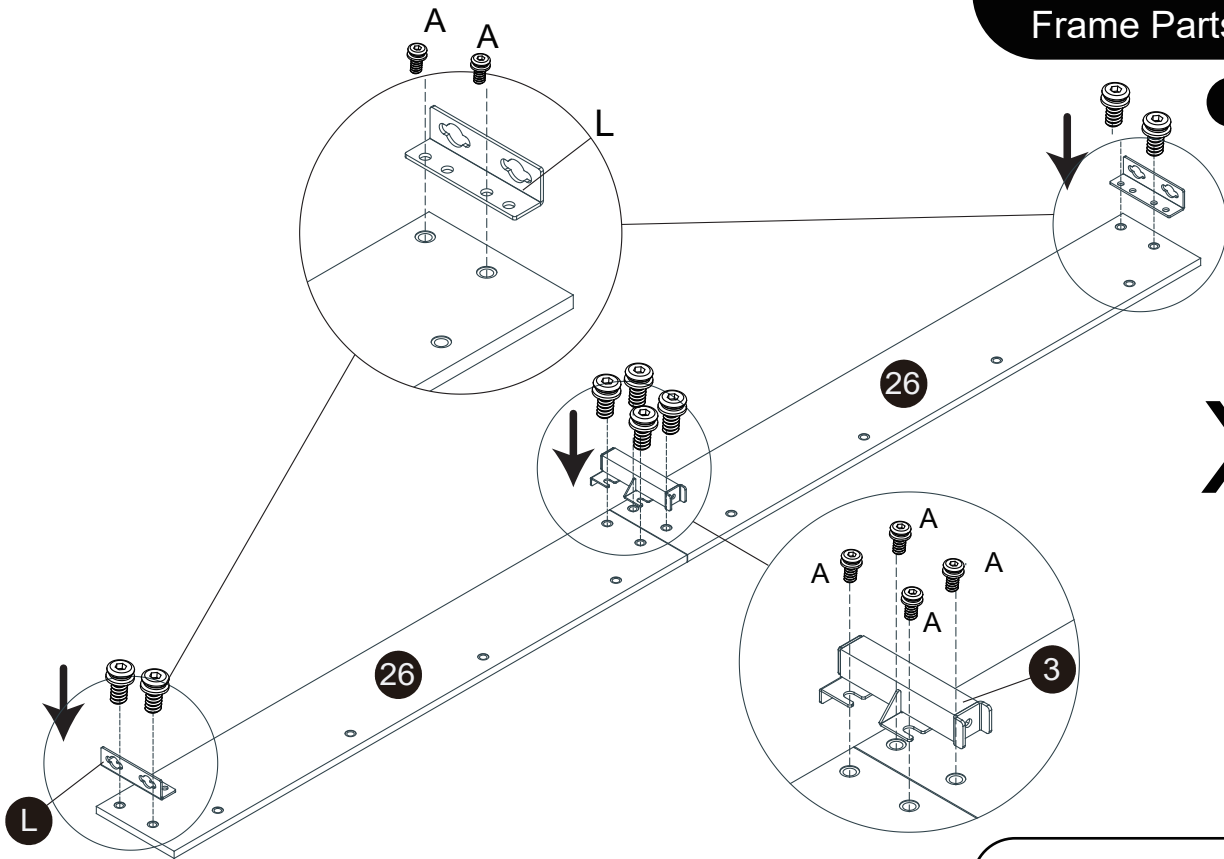
Note: The hole in this direction is facing upwards.



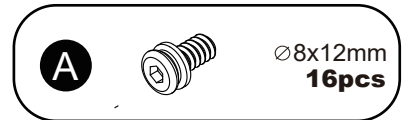
Frame Parts Section

Step 9

X2



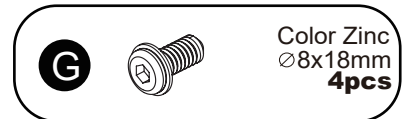
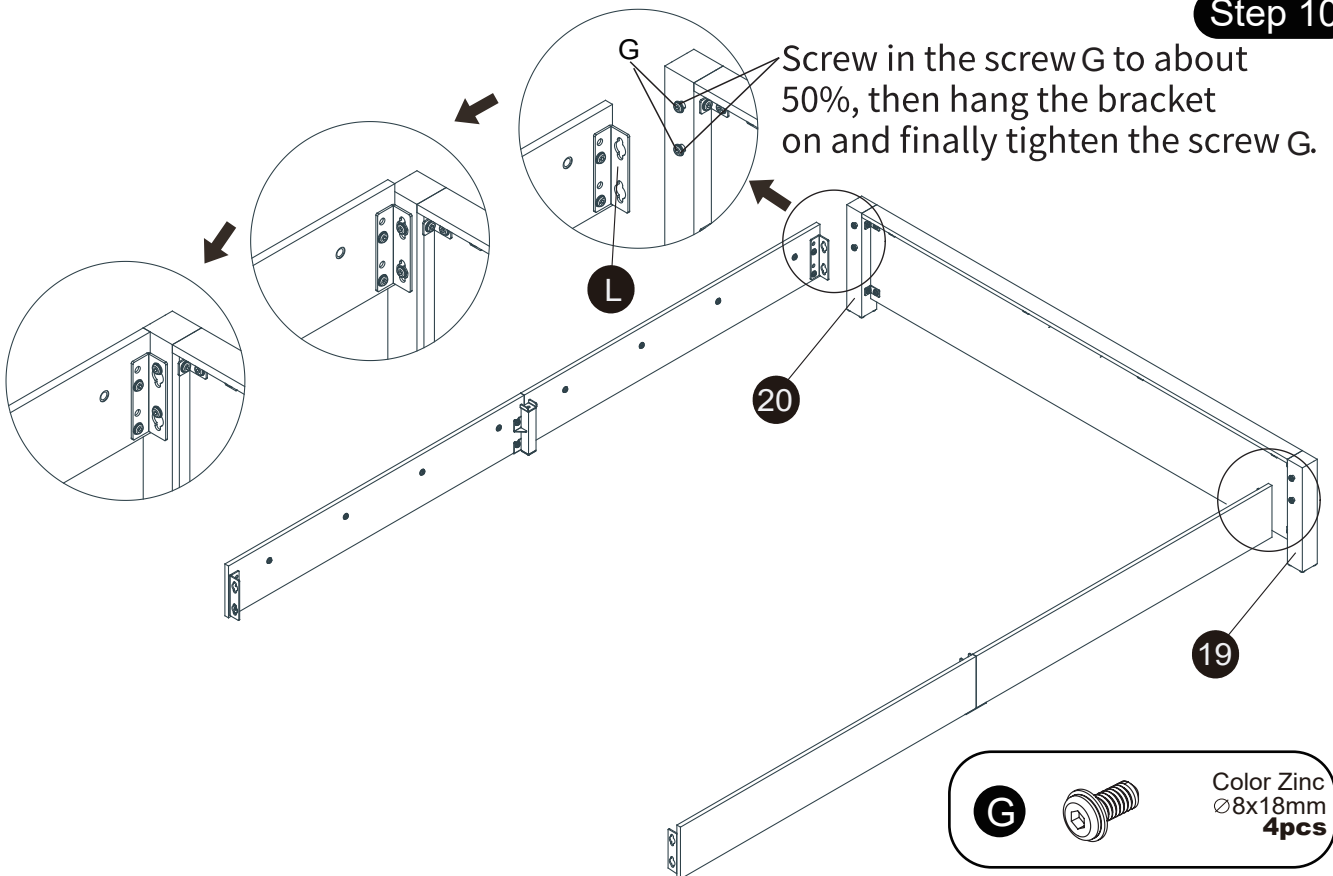
Ensure that the hole on connector L through which screw A passes is positioned exactly as shown in the picture



Frame Parts Section

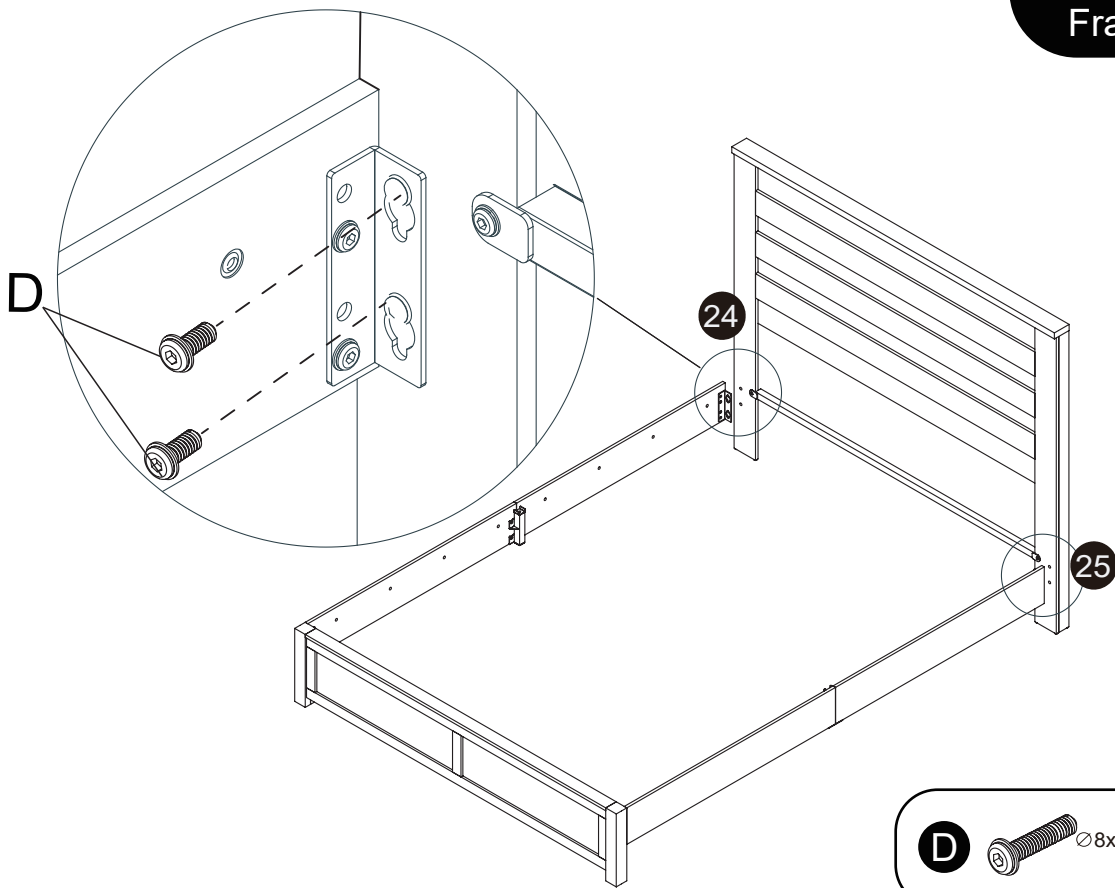
Step 10

Screw in the screw G to about 50%, then hang the bracket on and finally tighten the screw G.



Frame Parts Section

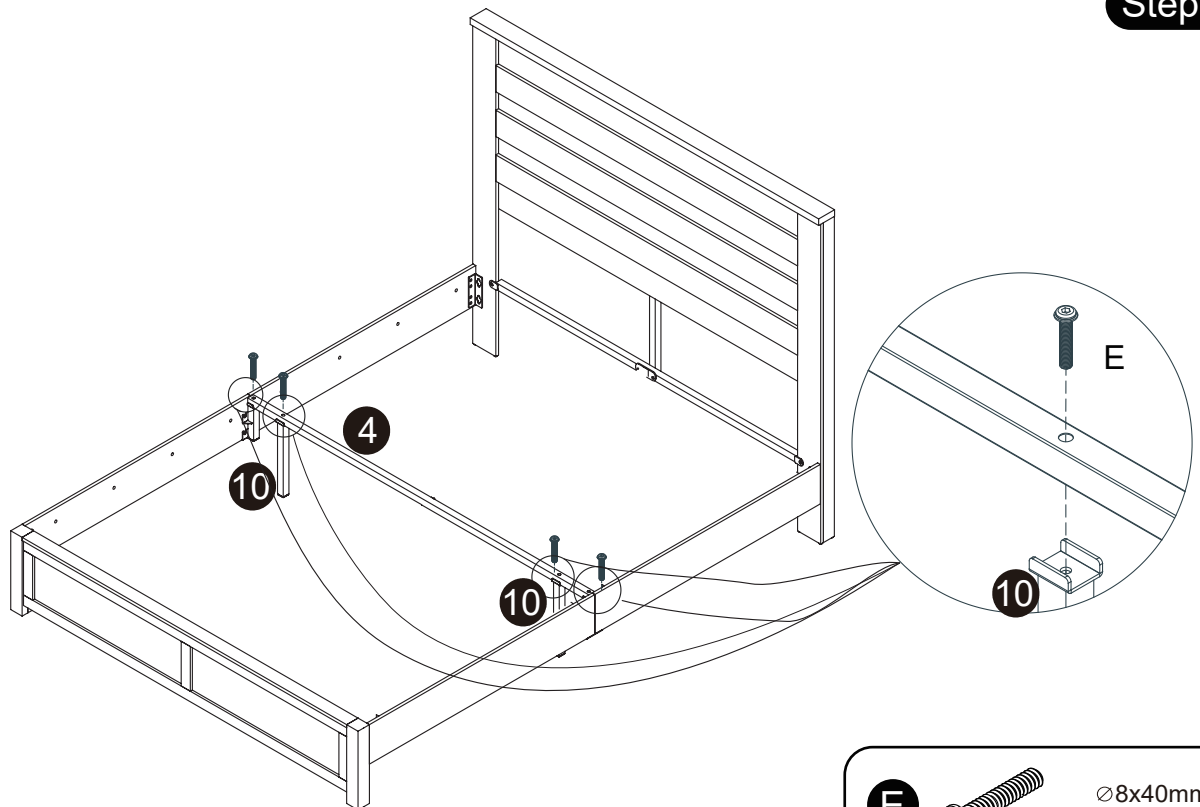
Step 11



D Ø8x35mm Color Zinc
4pcs

Frame Parts Section

Step 12

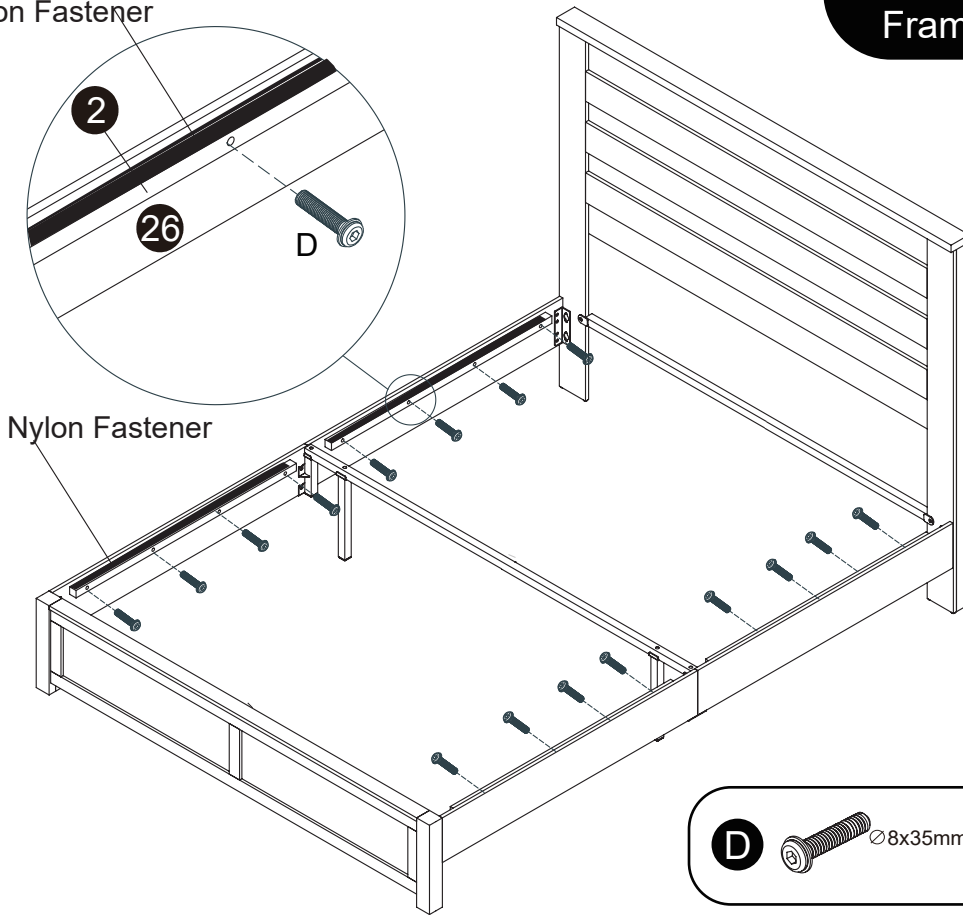


E Ø8x40mm
4pcs

Nylon Fastener

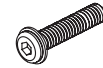
Frame Parts Section

Step 13



Nylon Fastener

D

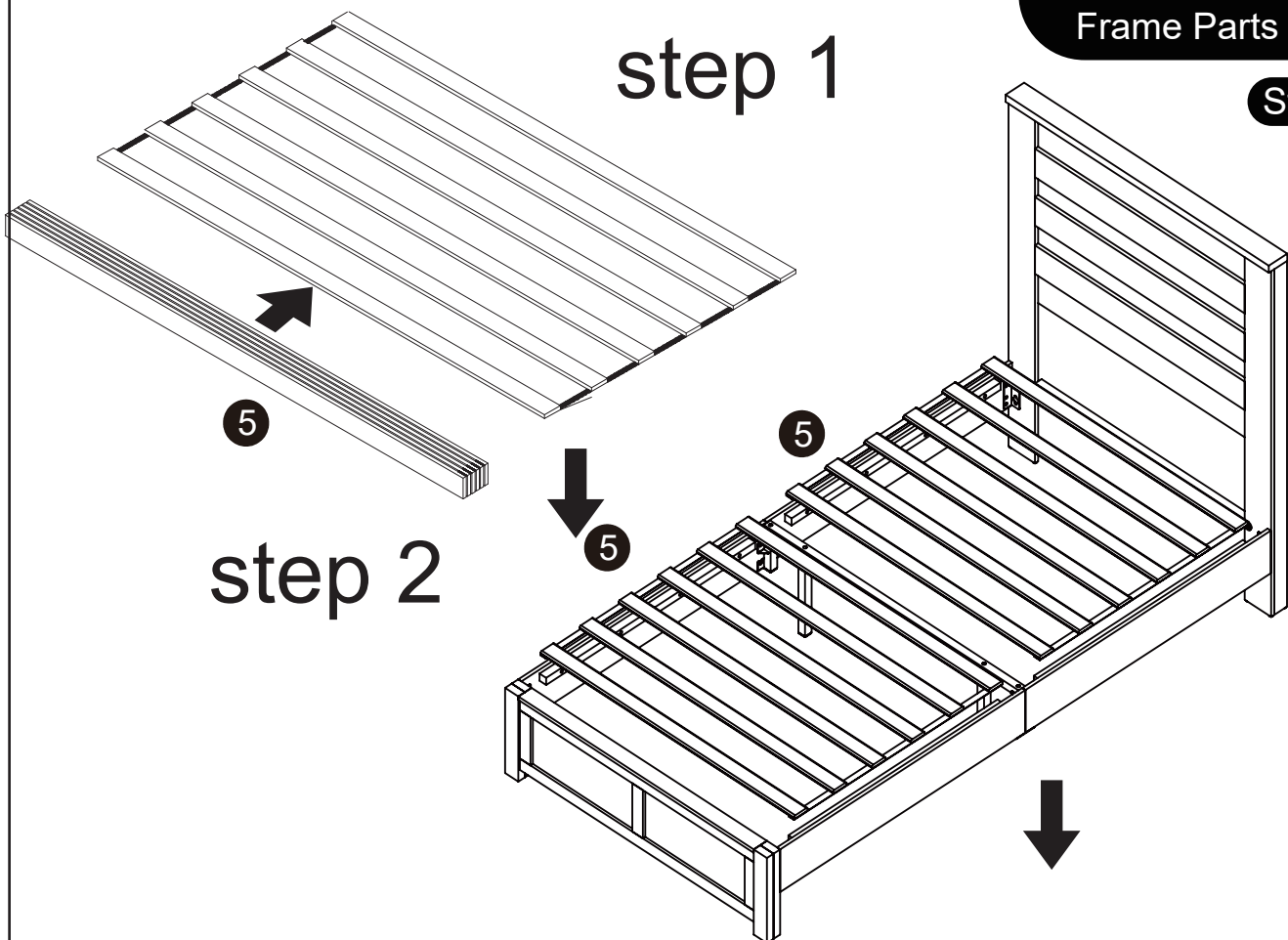


Ø8x35mm Color Zinc
16pcs

step 1

Frame Parts Section

Step 14



5

step 2

5

5



MAINTENANCE AND CARE

1. **Pest Protection:** Wooden furniture is vulnerable to pest infestations, especially termites. To prevent this, avoid placing furniture in damp areas or corners, as excessive moisture encourages the growth of insects and accelerates wood decay. During seasons with heavy rainfall, such as the southern rainy season, it's important to ensure proper ventilation to remove indoor moisture and keep the environment dry. Using a dehumidifier or air conditioner can help maintain dryness in the space and protect the wood.
2. **Sun Protection:** Wooden furniture should not be exposed to direct sunlight for extended periods, as UV rays can cause internal moisture to rise, leading to cracks and dryness. When choosing where to place wooden furniture, make sure to avoid direct sunlight.
3. **Keep Away from Fire:** Wooden furniture should be kept away from open flames to prevent fire hazards. Additionally, keeping furniture away from fire sources helps maintain a balance of internal and external moisture in the wood.
4. **Regular Maintenance:** Over time, the oil on the surface of wooden furniture will gradually evaporate. To maintain its appearance and extend its lifespan, regularly apply furniture oil or polish to replenish the oil and protect the wood.
5. **Regular Cleaning:** Regular cleaning is important to prevent bacteria from accumulating. Use a vacuum cleaner to remove dust from under beds and furniture to keep the environment clean and hygienic.