

Assembly Instructions

WARNING!!

Furniture Tipping Risk.

Serious risk of severe or fatal crush injuries can occur from furniture tipping over if not secured.

Please look in the brown box for hardware packs and legs. Sets often ship in multiple boxes and may arrive a day or two apart.

Children like to climb on furniture and Unsecured furniture can pose a serious danger.

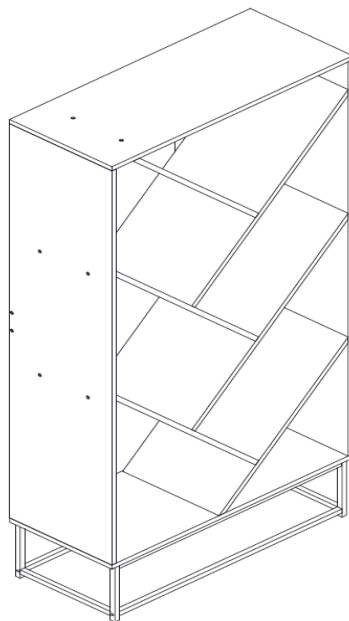
Please follow all instructions and install the tip-over restraints provided

In addition to installing the restraints, to help prevent tip-over:










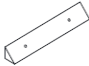

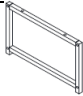


1. Place heaviest items on the lowest shelves,
2. Unless specifically designed to accommodate, do not set TV's or other heavy objects on top of this product,
3. Never allow children to climb or hang on sides or shelves,
4. Do not assemble on a rough or uneven surface.

Caution : You must read instructions before assembly .

Bar Cabinet



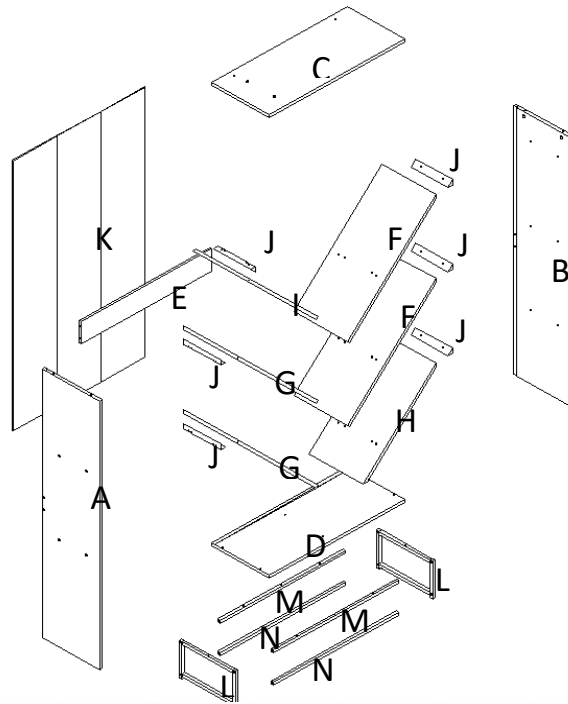
Parts List

Label	Picture	Description	QTY
A		Left Side Panel	1
B		Right Side Panel	1
C		Top Panel	1
D		Bottom Panel	1
E		Back Slat	1
F		Shelf 1	2
G		Shelf 2	2
H		Shelf 3	1
I		Shelf 4	1
J		Support Block	6
K		Back Panel	1
L		Metal Leg Frame	2
M		Upper Metal Rod	2
N		Lower Metal Rod	2

Hardware			
Label	Picture	Description	QTY
①		Cam Bolt	5
②		Cam Lock (∅ 15x12mm)	5
③		Bolt (M6x25mm)	9
④		Screw (M4x12mm)	3
⑤		Wall Bracket	2
⑥		Wood Screw (M4x25mm)	13
⑦		Wood Screw (M4x35mm)	15
⑧		Wood Screw (M4x45mm)	21
⑨		Bolt (M6x30mm)	9
⑩		Spring Washer (M10)	9
⑪		Washer (M12)	9
⑫		Wall Anchor	2
⑬		Allen Wrench	1
⑭		Screw Cover	31
⑮		Wooden Dowel	19

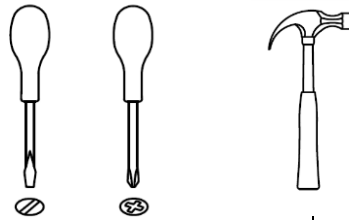
Assembly Preparation






Before Beginning Assembly:



① x4PCS Ø 6x35mm	② x4PCS Ø 15x12mm	③ x8PCS Ø 6x30mm	④ x2PCS Ø 4x12mm	⑤ x2PCS	⑥ x12PCS Ø 4x25mm	⑦ x14PCS Ø 4x35mm	⑧ x20PCS Ø 4x45mm
⑨ x8PCS Ø 6x40mm	⑩ x8PCS	⑪ x8PCS	⑫ x2PC	⑬ x1PC	⑭ x30PCS	⑮ x18PCS Ø 6x30mm	

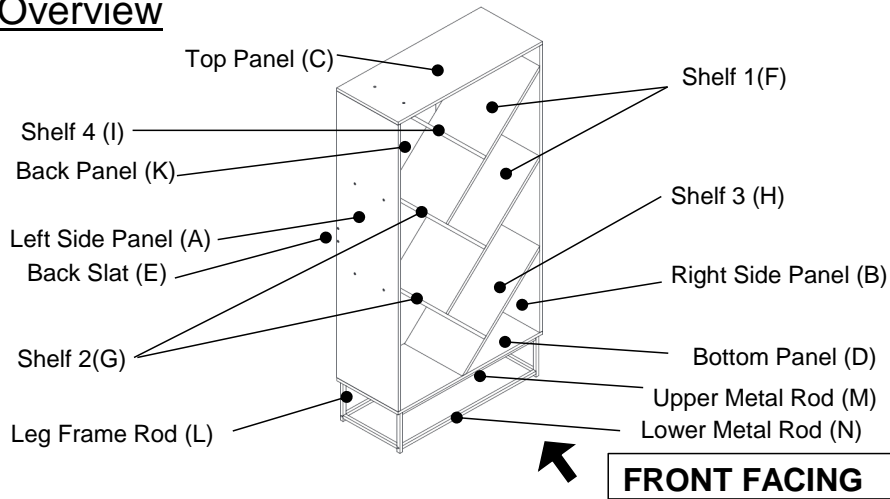
Prepare other tools required to assemble:



-  • Read instructions, cover to cover-
-  • Have 2 adults on hand for assembly-
-  • Do not assemble on flooring or carpet-
-  • Assemble on a clean non-marring surface (packing foam)-
-  • Save all packaging until finished-

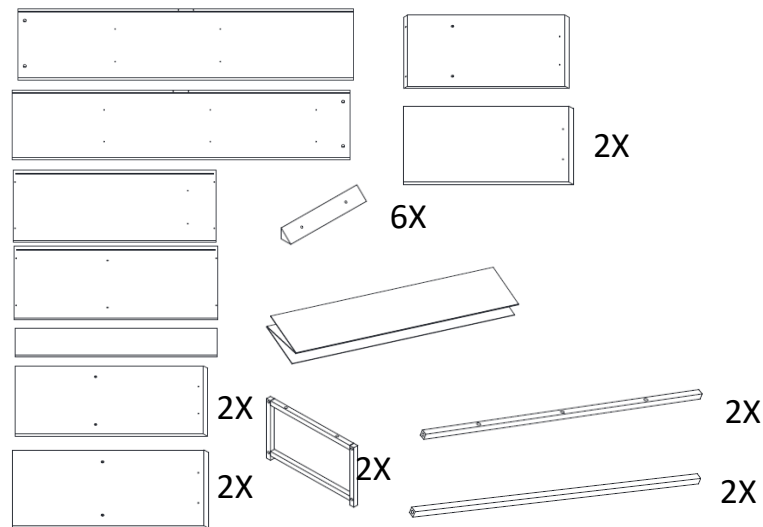
Assembly Steps

Overview



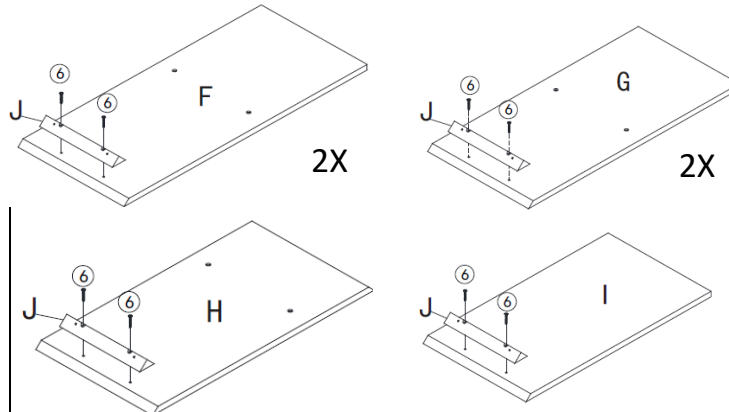
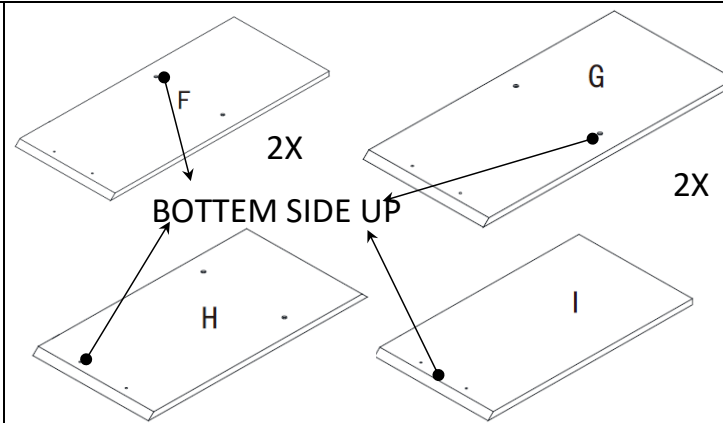
This Bar Cabinet has multiple parts and ensure they are in the box before assembly. To give you an overview of the Bar Cabinet parts, the above picture is to help you put the various parts into perspective. Please read through the instructions below to familiarise yourself with the parts and steps before assembly.

Step 1



Unpack and place all parts on a clean, non-marring surface.

Step 2



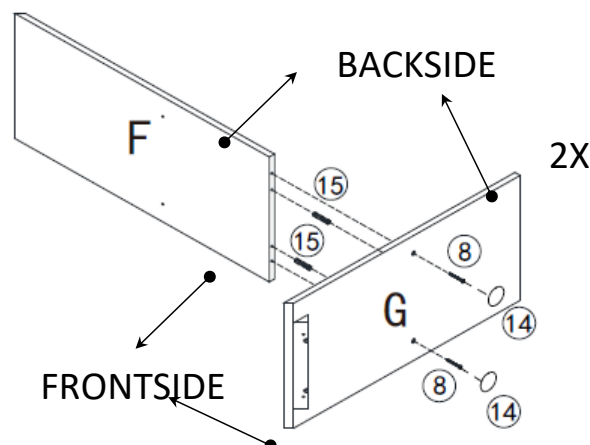
2.1 Distinguish the bottom side of Shelf 1 (F), Shelf 2 (G), Shelf 3 (H) & Shelf 4 (I) by the holes on the Shelves.

2.2 Place Shelf 1 (F), Shelf 2 (G), Shelf 3 (H) & Shelf 4 (I) with its top side down onto a clean, soft surface to avoid any scratches or damage.

Align and fasten the Support Block (J) to Shelf 1 (F) with Wood Screws (6), using a Screwdriver. Then tighten them as shown in the picture above.

Repeat the same step for Shelf 2 (G), Shelf 3 (H) & Shelf 4 (I).

Step 3



Place Shelf 1 (F) & Shelf 2 (G) with its backside facing outwards onto a clean, soft surface to avoid any scratches or damage to the product.

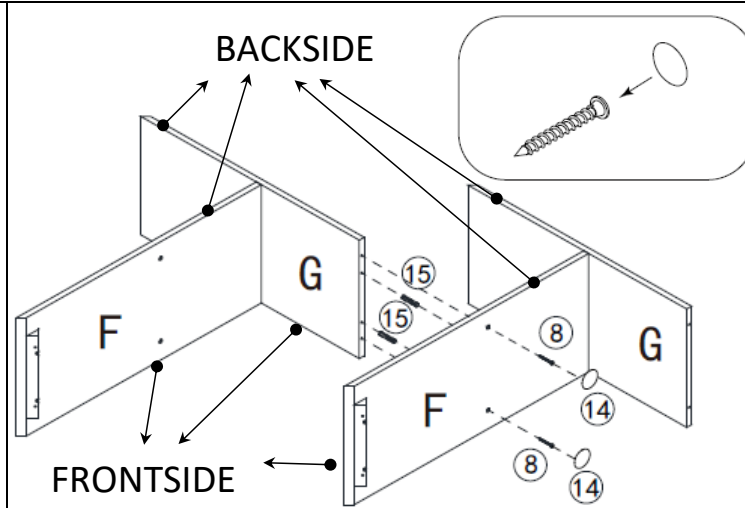
Insert the Wooden Dowels(15) into the mounting positions on Shelf 1 (F).

Align and fasten Shelf 1 (F) to Shelf 2 (G) with the Wood Screws (8),

using a Screwdriver. Then tighten the Wood Screws (8) and cover them with the Screw Covers(14)

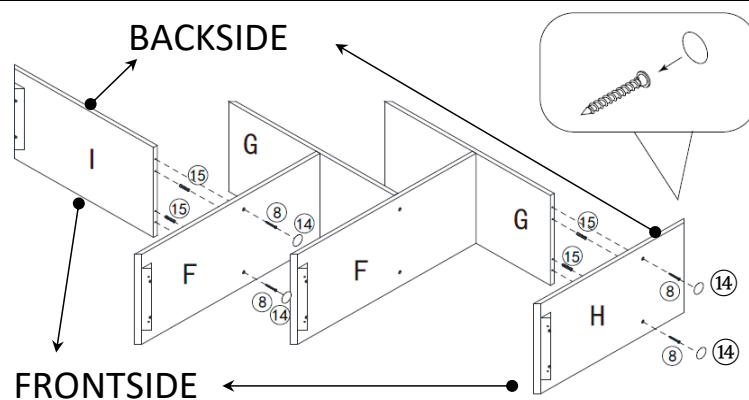
Repeat for the other set.

Step 4



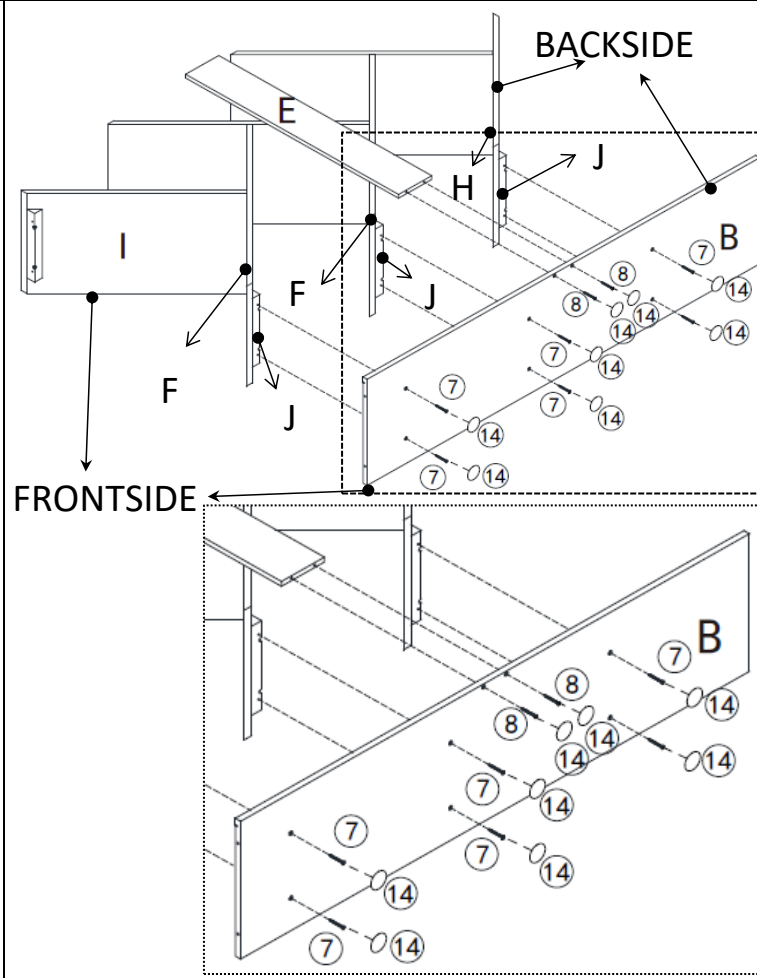
Insert Wooden Dowels (15) into the mounting positions on Shelf 2 (G) .
Align and fasten Shelf 1 (F) to Shelf 2 (G) with Screws (8), using a
Screwdriver. Then tighten the Screws (8) and cover them with the Screw
Covers (14)

Step 5



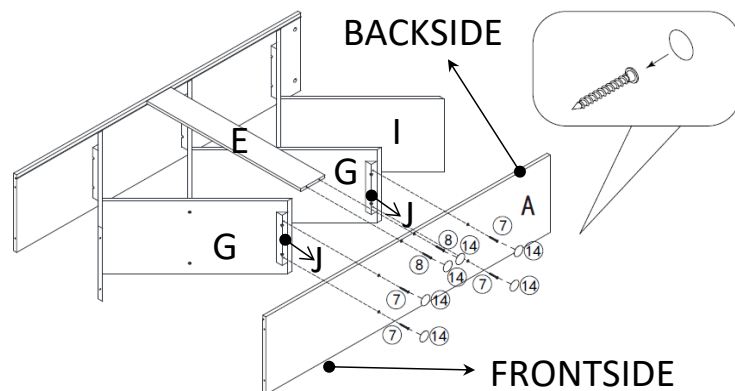
Insert Wooden Dowels (15) into the mounting positions on Shelf 4 (I) &
Shelf 2 (G).
Align and fasten Shelf 1 (F) to Shelf 4 (I) with the Wood Screws (8), using
the Screwdriver.
Align and fasten Shelf 2 (G) to Shelf 3 (H) with the Wood Screws (8),
using the Screwdriver.
Then tighten them and cover the Wood Screws (8) with the Screw
Covers (14)

Step 6



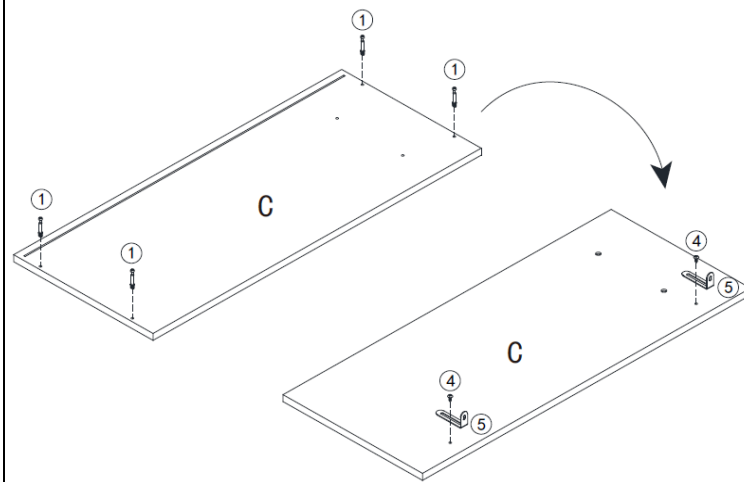
Align and fasten together the Right Side Panel (B), the Back Slat (E) & the Support Block (J) which are assembled on Shelf 1 (F) & Shelf 3 (H) with Screws (7), using the Screwdriver.
Then tighten the Wood Screws (8) and cover them with the Screw Covers (14)

Step 7



Go to the other side.
Align and fasten the Left Side Panel (A), the Back Slat (E) & the Support Block (J) which are assembled on Shelf 2 (G) with Screws (7), using the Screwdriver.
Then tighten the Wood Screws (8) and cover them with the Screw Covers (14)

Step 8

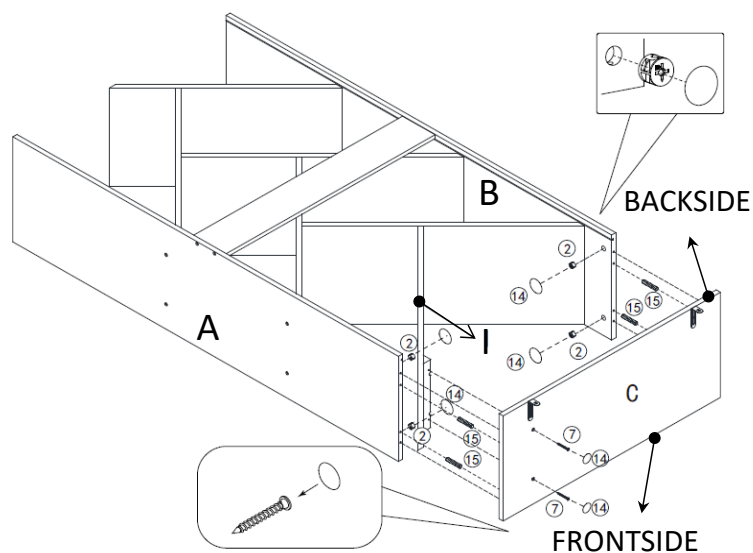


Place the Top Panel (C) with its one side facing outwards onto a clean, soft surface to avoid any scratches or damage.

Screw the Cam Bolt (①) into the mounting position on the Top Panel (C) as shown in picture above.

Turn over the Top Panel (C). Align and fix the Wall Bracket (⑤) onto the mounting position on the Top panel (C) with the Wood Screws (④) as shown in the picture above.

Step 9

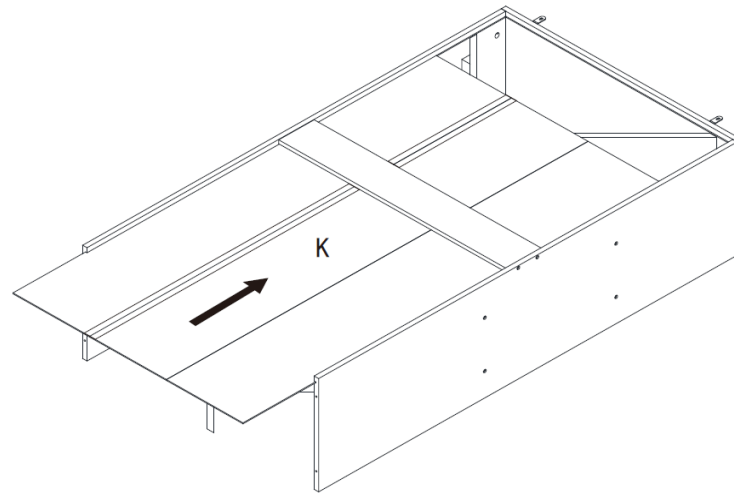


Insert the Cam Locks (②) & Wooden Dowels (⑮) into the mounting positions on the Left Side Panel (A) & the Right Side Panel (B) as shown in the picture above.

Align and fasten the Top Panel (C) into the mounting positions on the Left Side Panel (A) & the Right Side Panel (B) as shown in picture above.

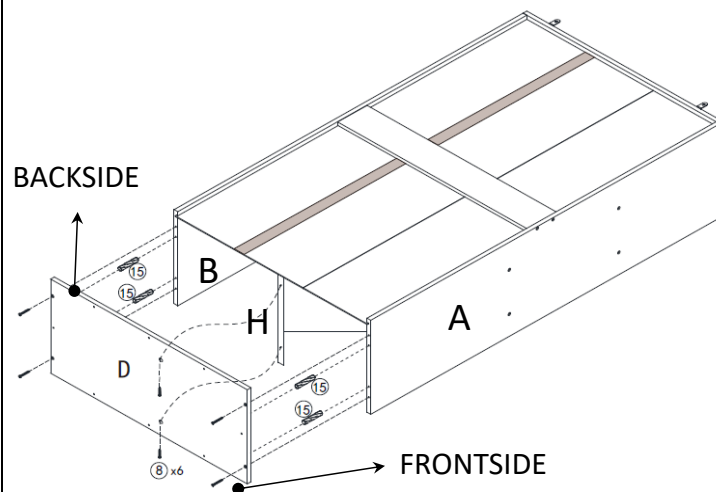
Align and affix Shelf 4 (I) to the Top Panel (C) with Screws (⑦). Tighten the Screws (⑦) then cover them & the Cam Locks (②) with the Screw Covers (⑭)

Step 10



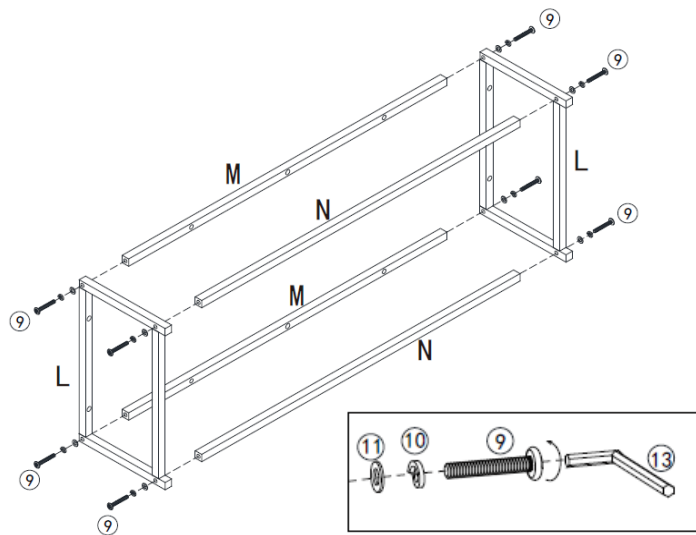
Place the Back Panel(K) onto the cabinet frame with one end fitting into the grooves on Left Side Panel (F) & the Right Side Panel (G).

Step 11



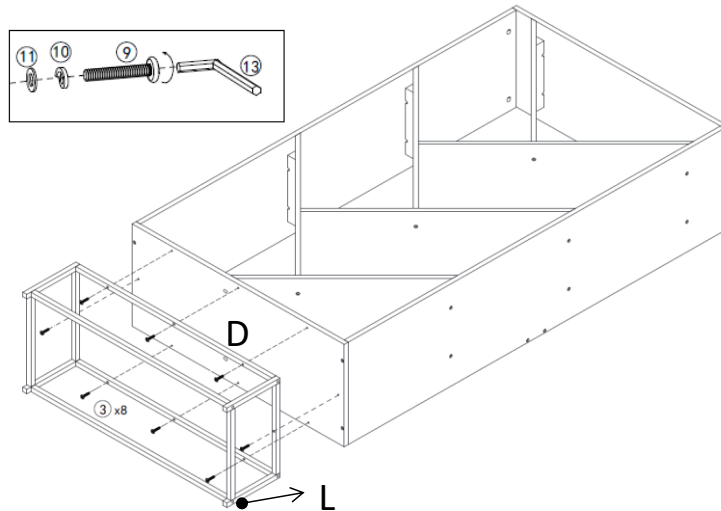
Insert Wooden Dowels (15) into the mounting positions on the Left Side Panel(A) & the Right Side Panel(B) .
Align and fasten the Bottom Panel (D) into the mounting positions on the Left Side Panel(A) & the Right Side Panel(B) as shown in the picture above.
Align and affix Shelf 3 (H) to the Bottom Panel(D) with the Wood Screws(8).Then tighten them.

Step 12



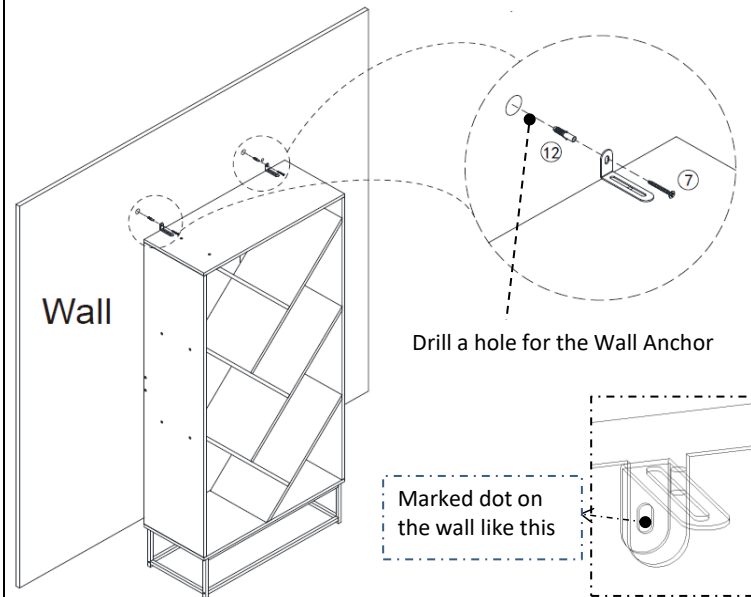
Put the Spring Washers(⑩) and the Washers (⑪) onto the Bolts(⑨)as shown in the detailed picture above.
Align and fasten the Upper Metal Rods (M) & the Lower Metal Rods (N) into the mounting positions on the Metal Leg Frames (L) with the Bolt set (⑨) as shown in the picture above.

Step 13



Turn over the cabinet.
Align and fasten the metal Leg Frame(L) into the mounting positions on the Bottom Panel (D) with the Bolts(③) as shown in the picture above.

Step 14



Move the Bar Cabinet onto the wall where you want it placed.

14.1 Mark a dot on the wall through the holes on the Wall Bracket (5) which were assembled on the Top Panel(C) as shown in the picture above.

14.2 Move the Bar Cabinet away from the wall.

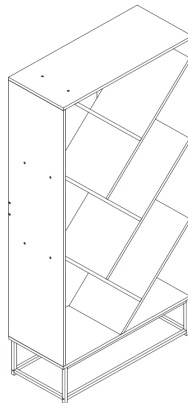
14.3 Drill a hole in the wall for the Wall Anchor(12).Then insert the Wall Anchor(12) into it.

14.4 Move the Bar Cabinet by aligning the holes.

14.5 Then affix the Wall Brackets(5) with Wood Screws(7).

And tighten all Screws.

Step 15














Your Bar Cabinet is ready for use.

This Bar Cabinet can only be used on a flat,level surface.

Caution 1 : When tightening these screws, tighten sequentially. DO NOT tighten any screw fully and then move towards the next one.
Caution 2 :This Bar Cabinet can only be used on a flat, level surface.
Caution 3 :This Bar Cabinet is NOT a TOY.
Keep your child / children at bay during the assembly process.

Care & Maintenance

	<ul style="list-style-type: none"> ● Furniture may scratch floors. We recommend using furniture pads to protect your floors.
	<ul style="list-style-type: none"> ● Do not put hot items directly on furniture surface.
	<ul style="list-style-type: none"> ● Do not clean furniture with harsh cleansers or polish.
	<ul style="list-style-type: none"> ● Do not place furniture under direct sunlight.
	<ul style="list-style-type: none"> ● Do not place furniture near heating or cooling vents.
	<ul style="list-style-type: none"> ● Do not write on furniture without a padded barrier to protect the surface.
	<ul style="list-style-type: none"> ● Do not place furniture outside . For indoor use only.
	<ul style="list-style-type: none"> ● Not for commercial use. For residential use only.
	<ul style="list-style-type: none"> ● Stains may be removed with mild soap solution and damp cloth.
	<ul style="list-style-type: none"> ● Children should not climb or jump on the furniture.
	<ul style="list-style-type: none"> ● Dust and pick-up spills using a clean, non-colored, lint-free cloth.