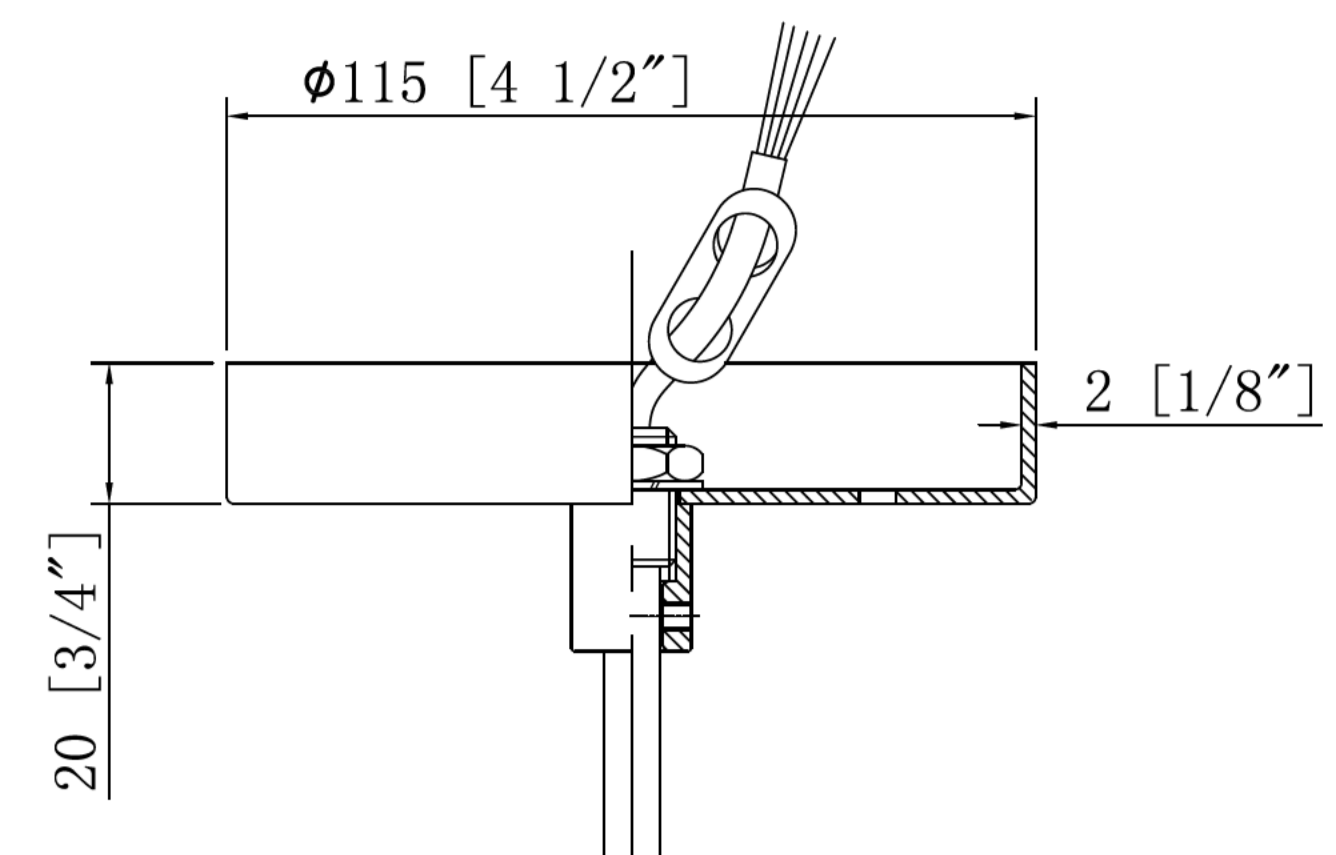


$\phi 10$ [$\phi 3/8$ "]



$\phi 115$ [$4\ 1/2$ "]

2 [$1/8$ "]

20 [$3/4$ "]

WIRE: SJT 120"

$\phi 100$ [$3\ 7/8$ "]

500 [$19\ 5/8$ "]

$\phi 457$ [18 "]

ITEM:

