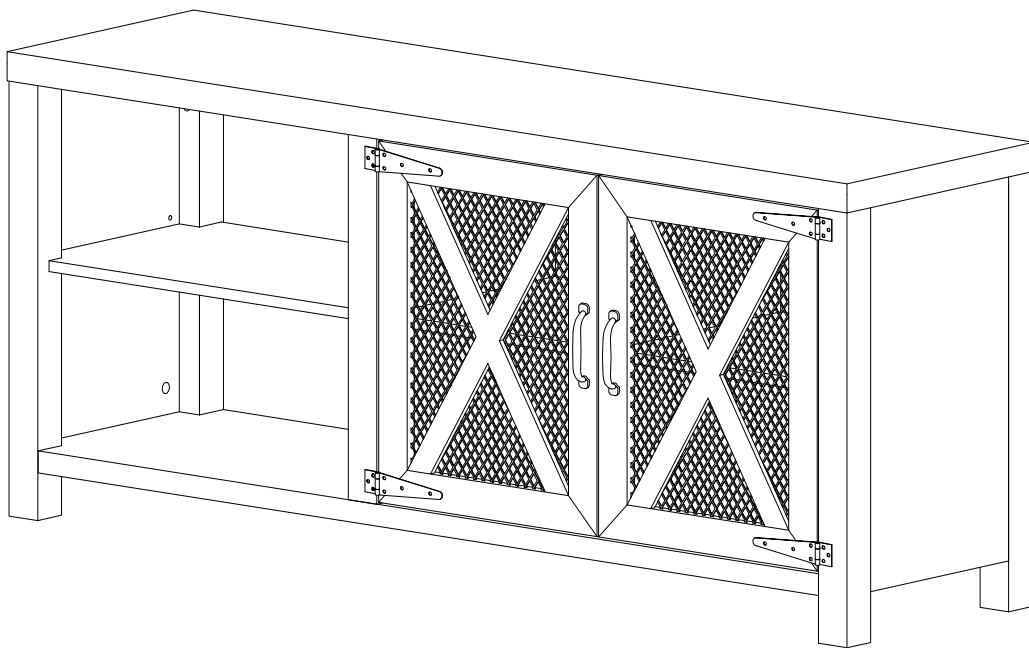


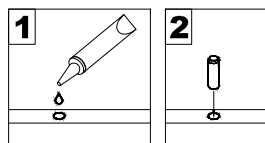
Assembly Instructions



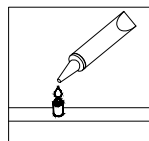
Please visit our website for the most current instructions, assembly tips, report damage, or request parts.

General Assembly Guidelines

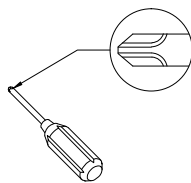
- I. Ensure that all parts and hardware are available before beginning assembly.
- II. Follow each step carefully to ensure the proper assembly of this product.
- III. Two people are recommended for ease in the assembly of this product.
- IV. The three main types of hardware used to assemble this product are : wood dowels , screws and bolts.
- V. The provided glue is to secure wood dowels in place . When first inserting dowels , locate the appropriate hole for the dowel , place a small amount of glue in the hole and insert the dowel . Wipe away excess glue immediately.



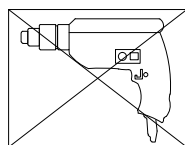
In future assembly steps when dowels are necessary to attach assembly parts together , place a small amount of glue on the end of the dowel before attaching parts together . Wipe away excess glue immediately.



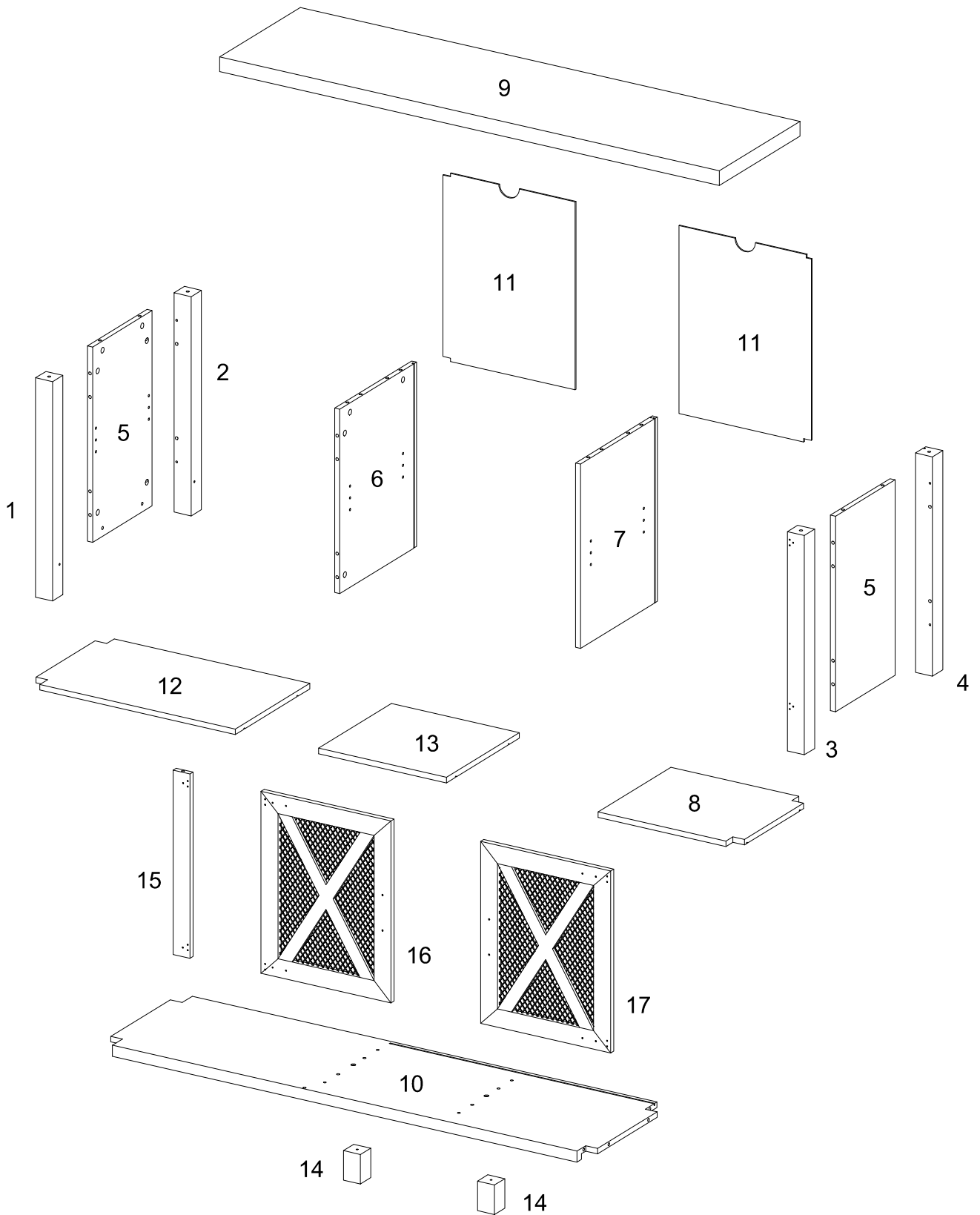
- VI. A Phillips head screwdriver is required for the assembly of this product .




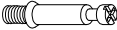






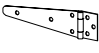


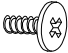

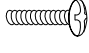

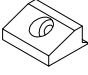

- VII. Power tools should not be used to assemble this product .

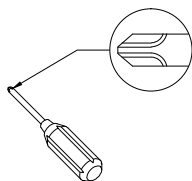


Parts List



Hardware List

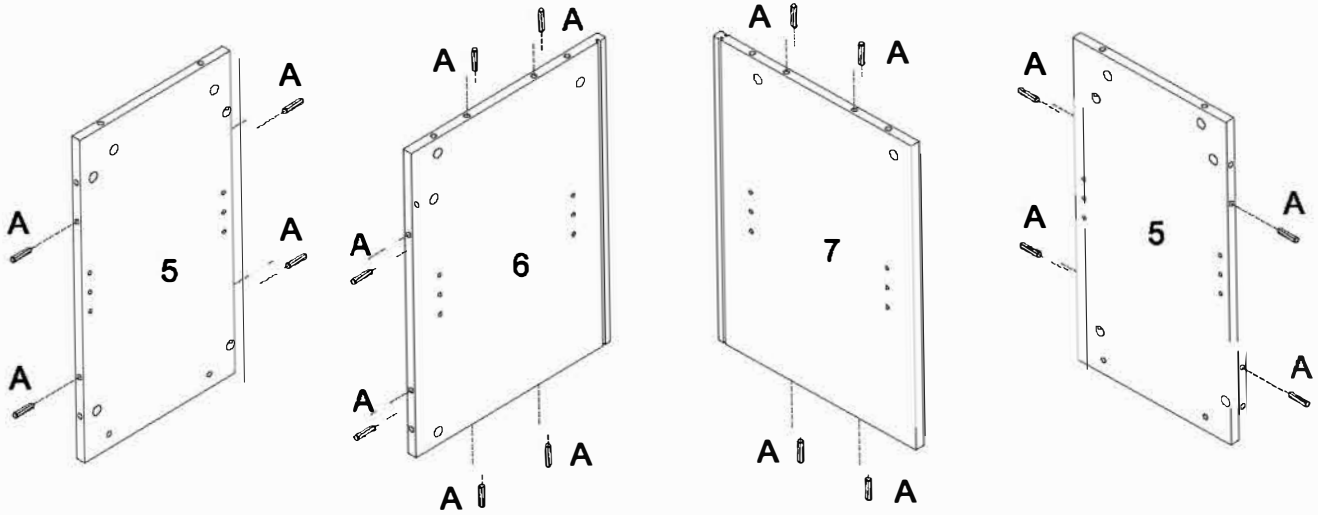
A		Ø8x30mm	Wooden dowel	28 pcs
B		Ø6x35mm	Cam bolt	22 pcs
C		Ø15x11mm	Cam lock	22 pcs
D		Ø30mm	Sticker	22 pcs
E		Ø6x50mm	Shoulder Screw	6 pcs
F		M 4	Hex Key	1 pcs
G		Ø8x5x16mm	Shelf support pin	12 pcs
H			Door stopper	2 pcs
J			Hinge	4 pcs
K		Ø3x12mm	Screw	28 pcs
L		Ø3x15mm	Screw	4 pcs
M			Bolt	2 pcs
N			Handle	2 pcs
P		Ø4x22mm	Handle Bolt	4 pcs
Q		Ø3x17mm	Screw	8 pcs
R			Plastic wedge	8 pcs
S			Glue tube	1 pcs



Philips head screwdriver required for assembly
(not included)

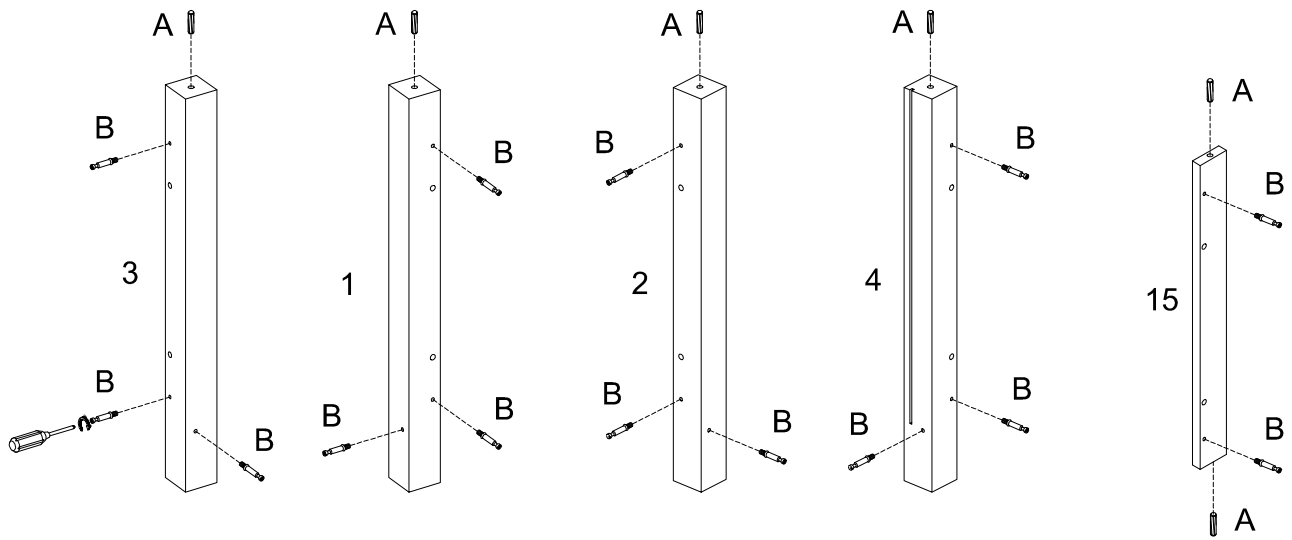
*The hardware quantities listed above are required for proper assembly.
Some extra hardware may also have been included.*

Step 1



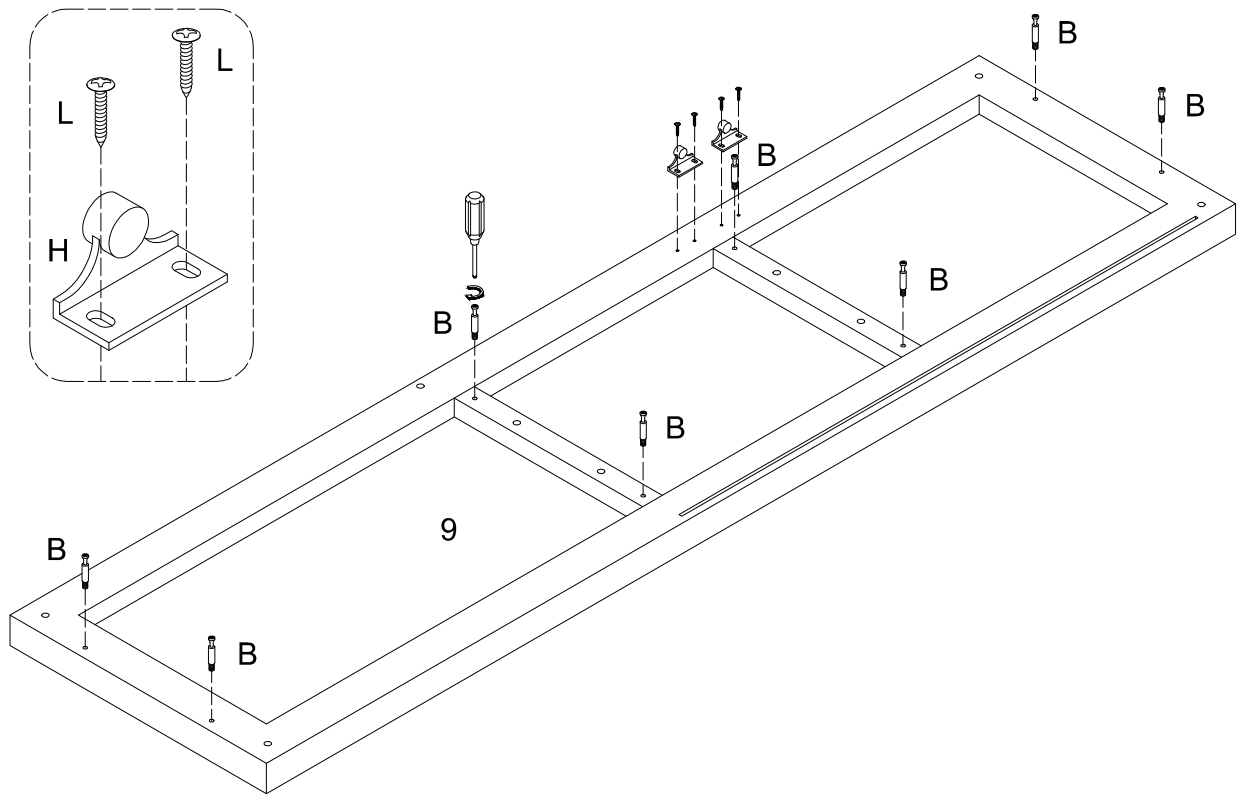
Insert wooden dowel (A) into part (5,6,7).

Step 2



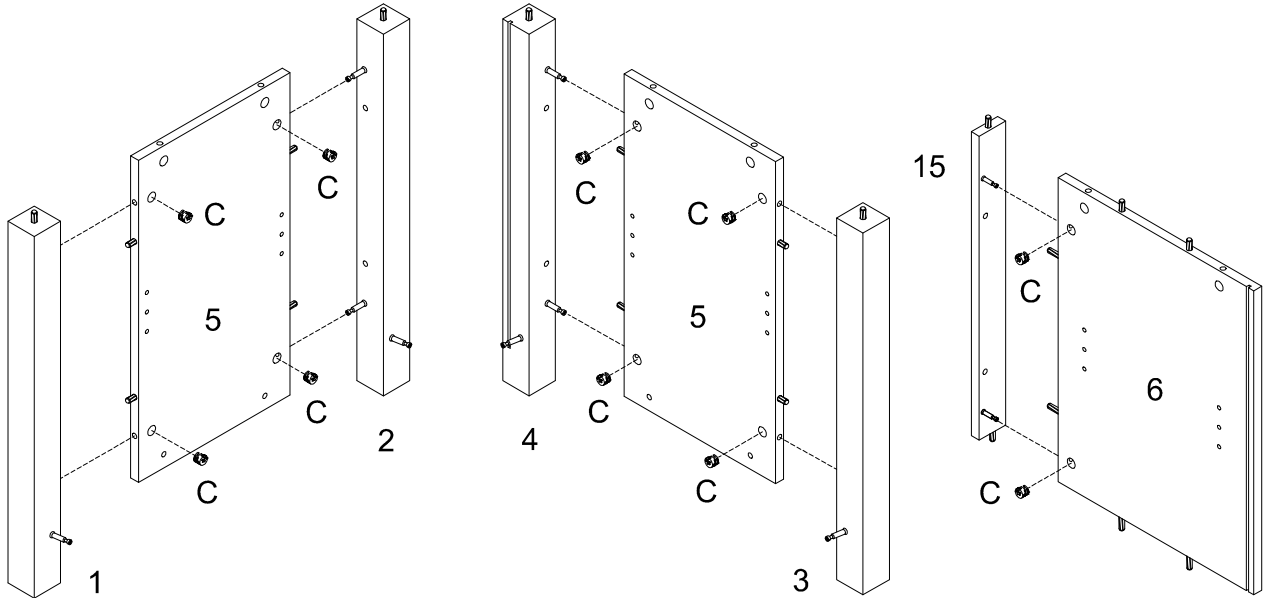
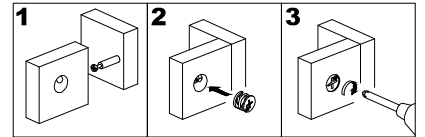
Insert wooden dowel (A) into part (3,1,2,4,15), secure cam bolt (B) with screwdriver into part (3,1,2,4,15).

Step 3



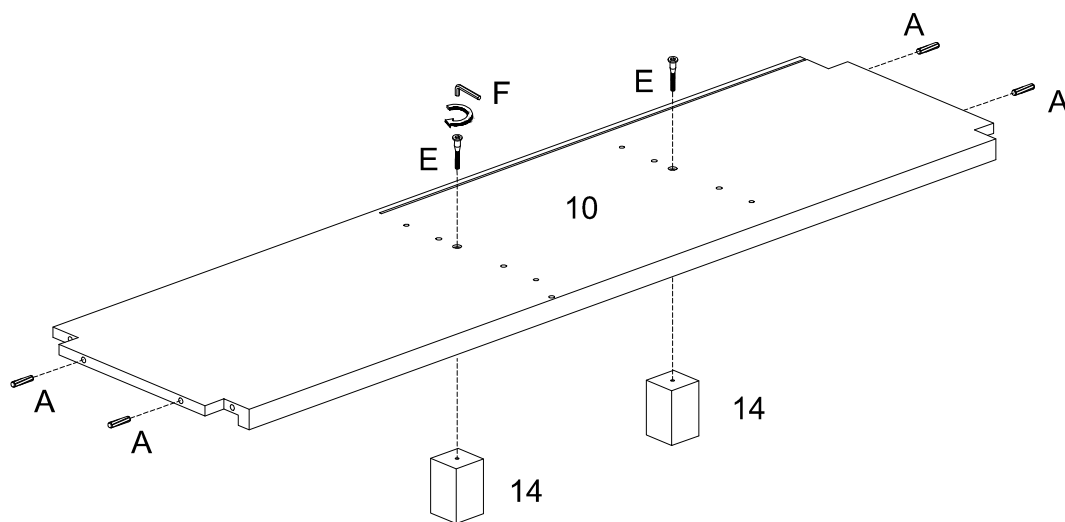
Use screwdriver to secure cam bolt (B) into part (9),use screw(L) secure door stopper (H) into part (9)

Step 4



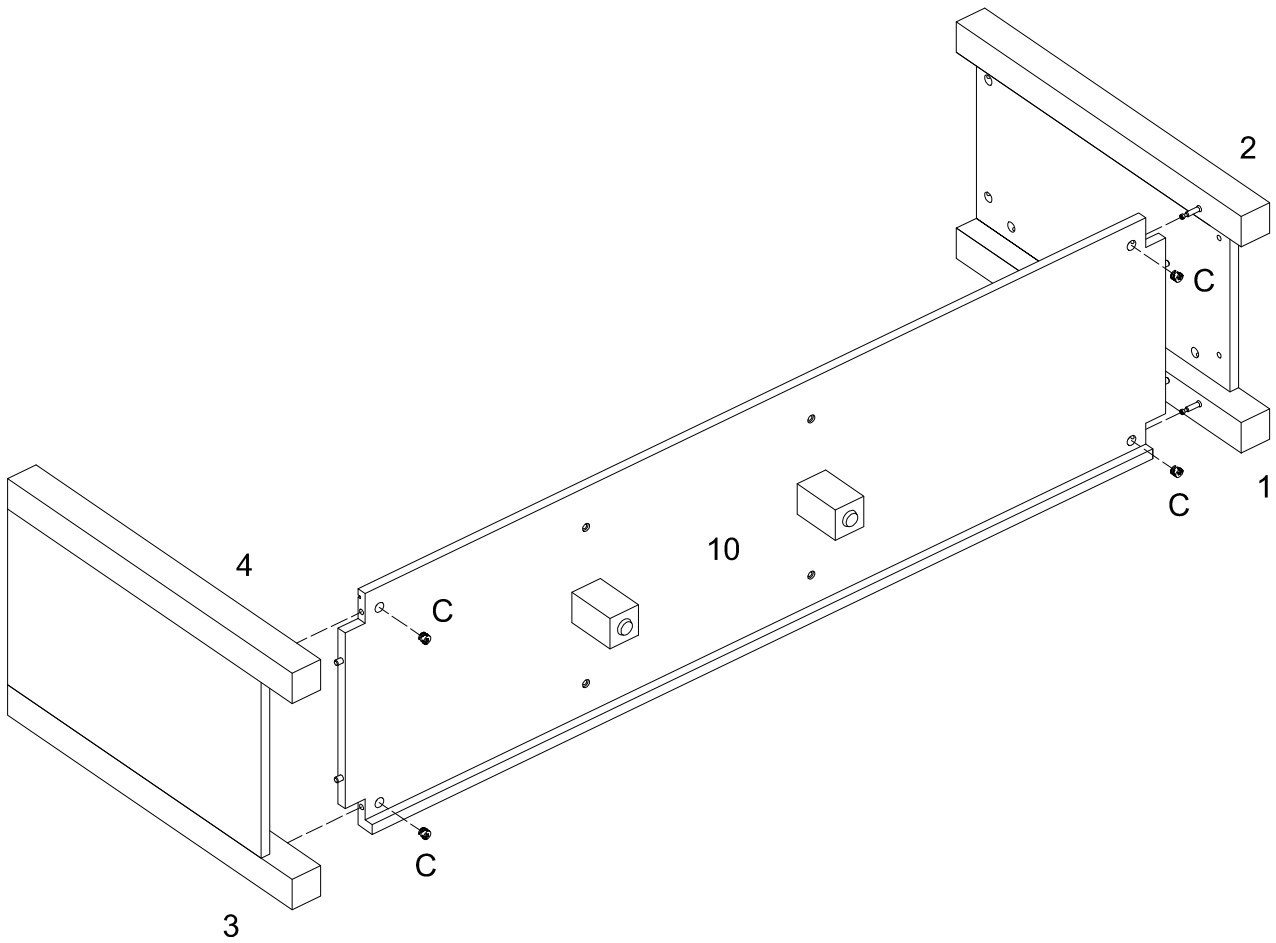
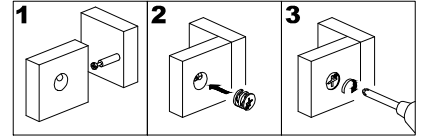
Attach parts (5),(6) to part(1,2,4,3,15) with cam lock (C)

Step 5



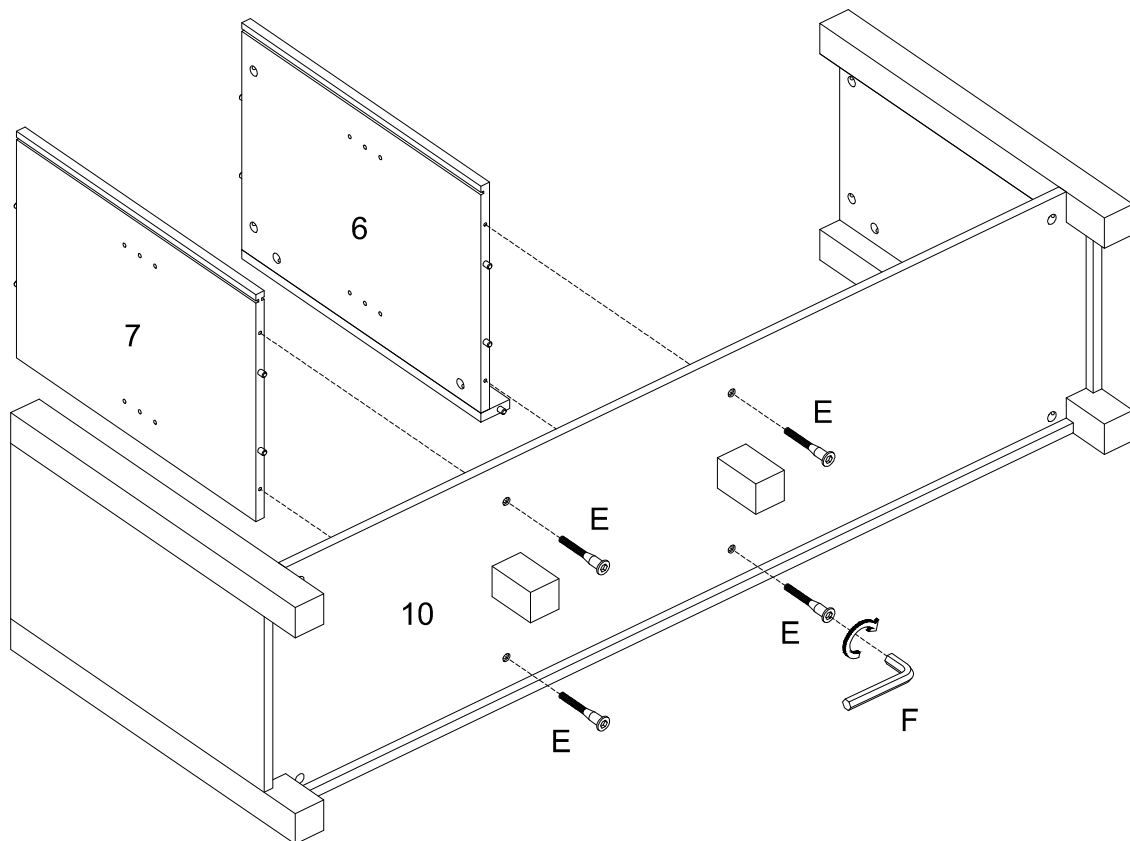
Attach part (14) to part (10) using bolt (E) with hex key (F). Insert wooden dowel (A) to part(10)

Step 6



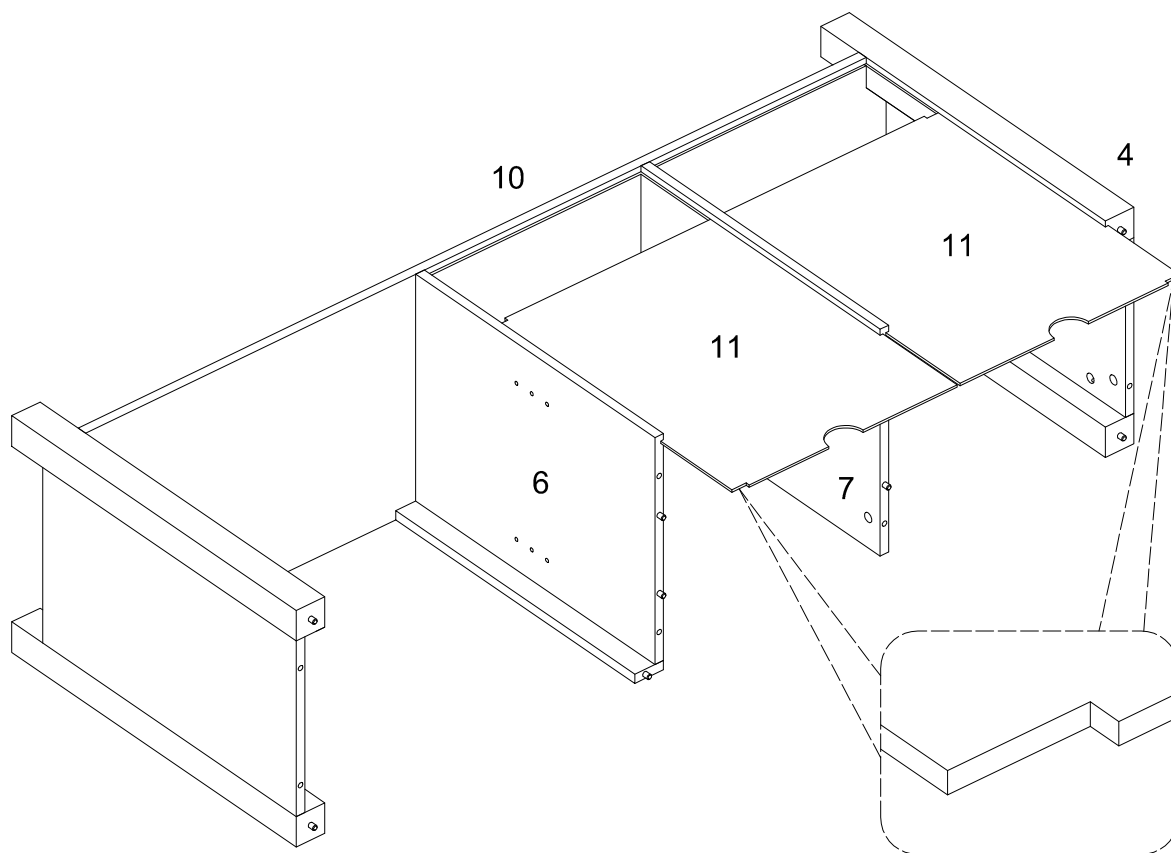
Attach part (1,2,3,4) to part (10), then insert and secure cam lock (C) to part (10) to lock it.

Step 7



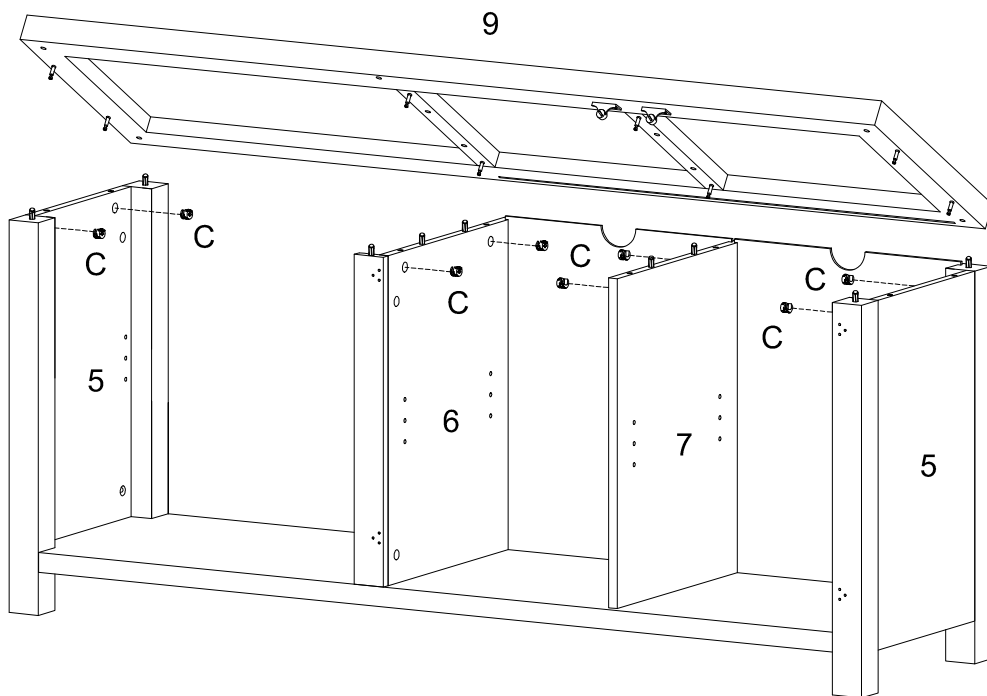
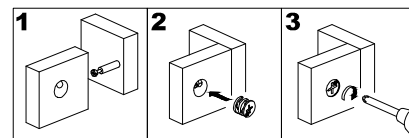
Attach part (10) to parts (6,7) using bolt (E) with hex key (F).

Step 8



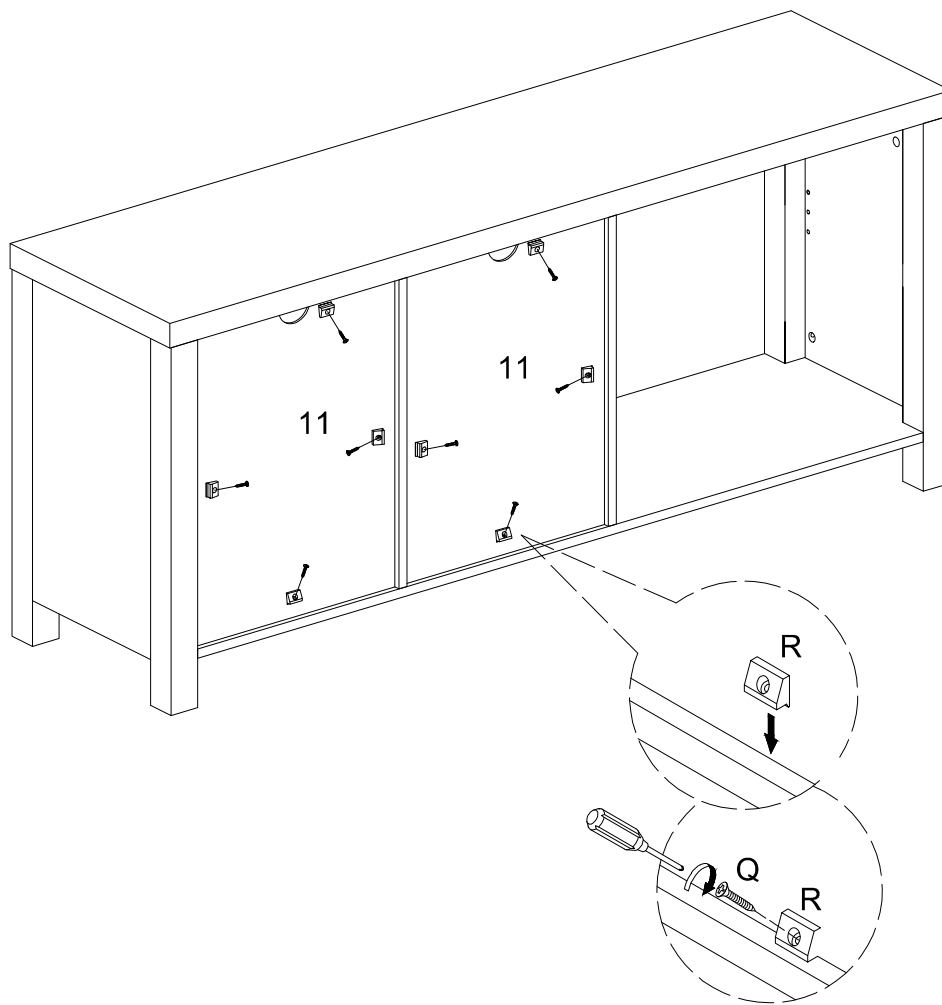
Slide the back panel (11) all the way into the groove

Step 9



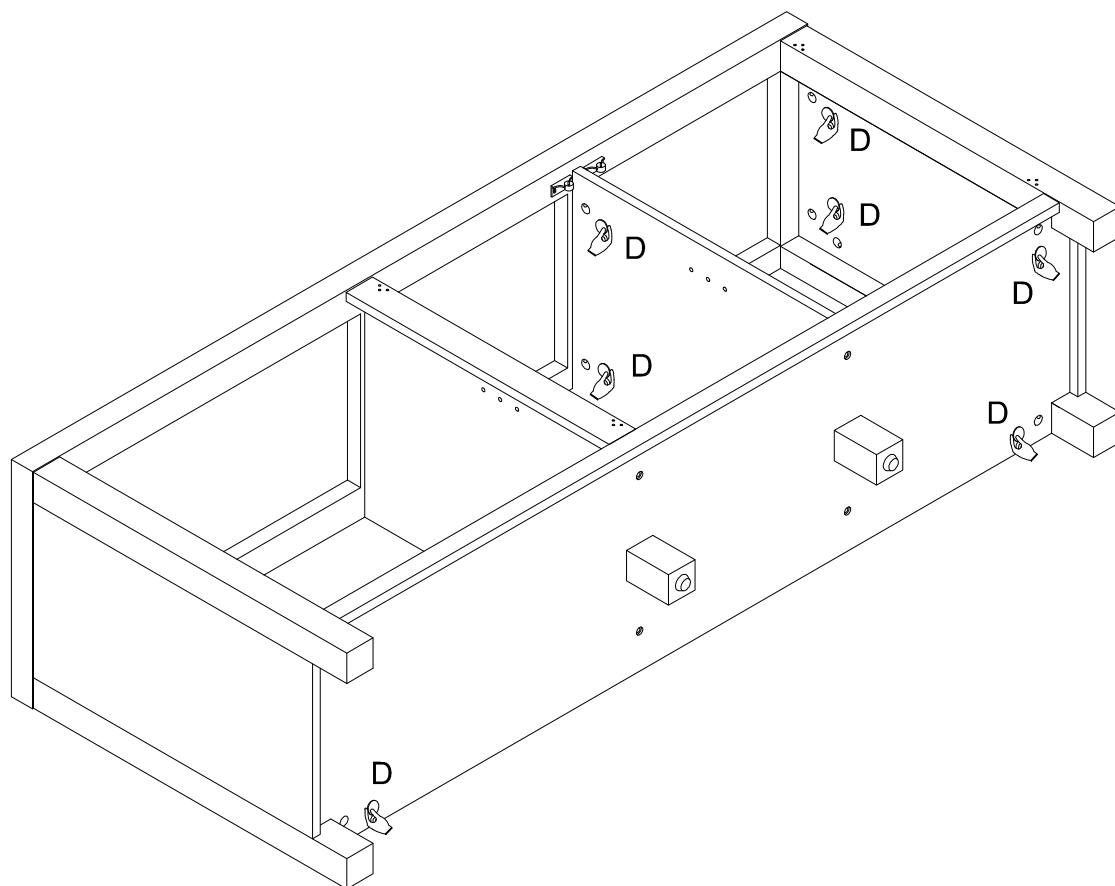
Insert part (9) into part (5,6,7), then insert and secure cam lock (C) to part (5,6,7).

Step 10



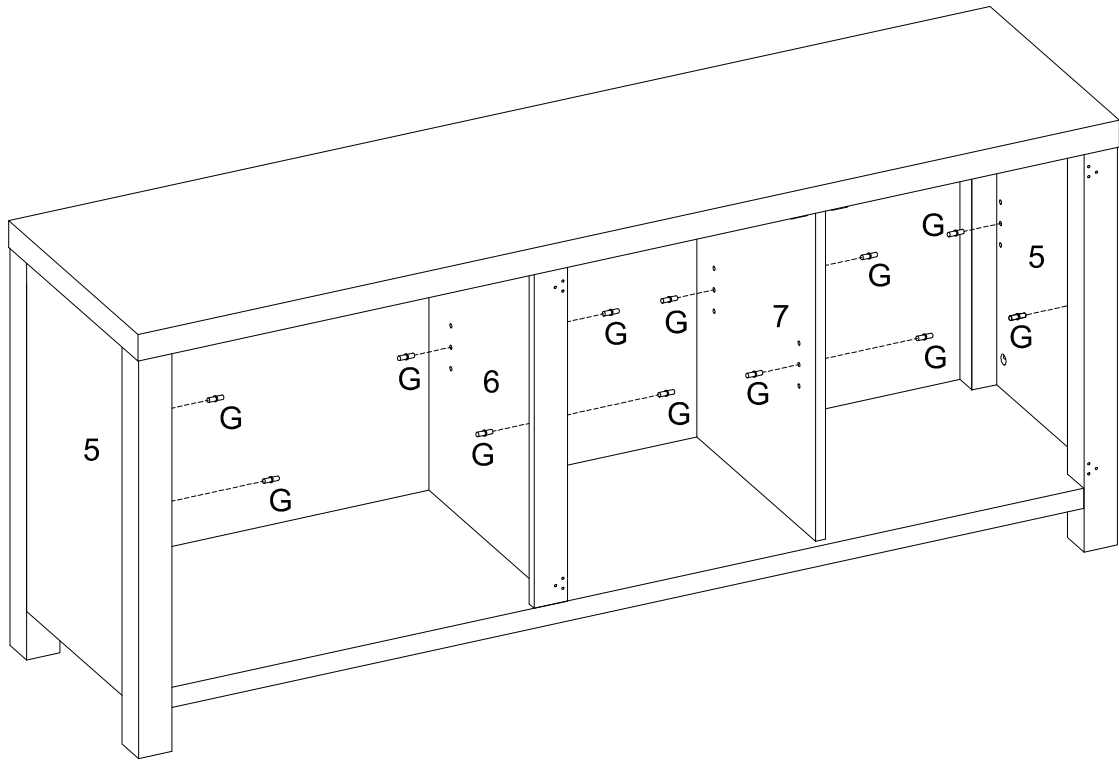
Secure plastic wedge (R) to back panel (11) using screw (Q) with screwdriver.

Step 11



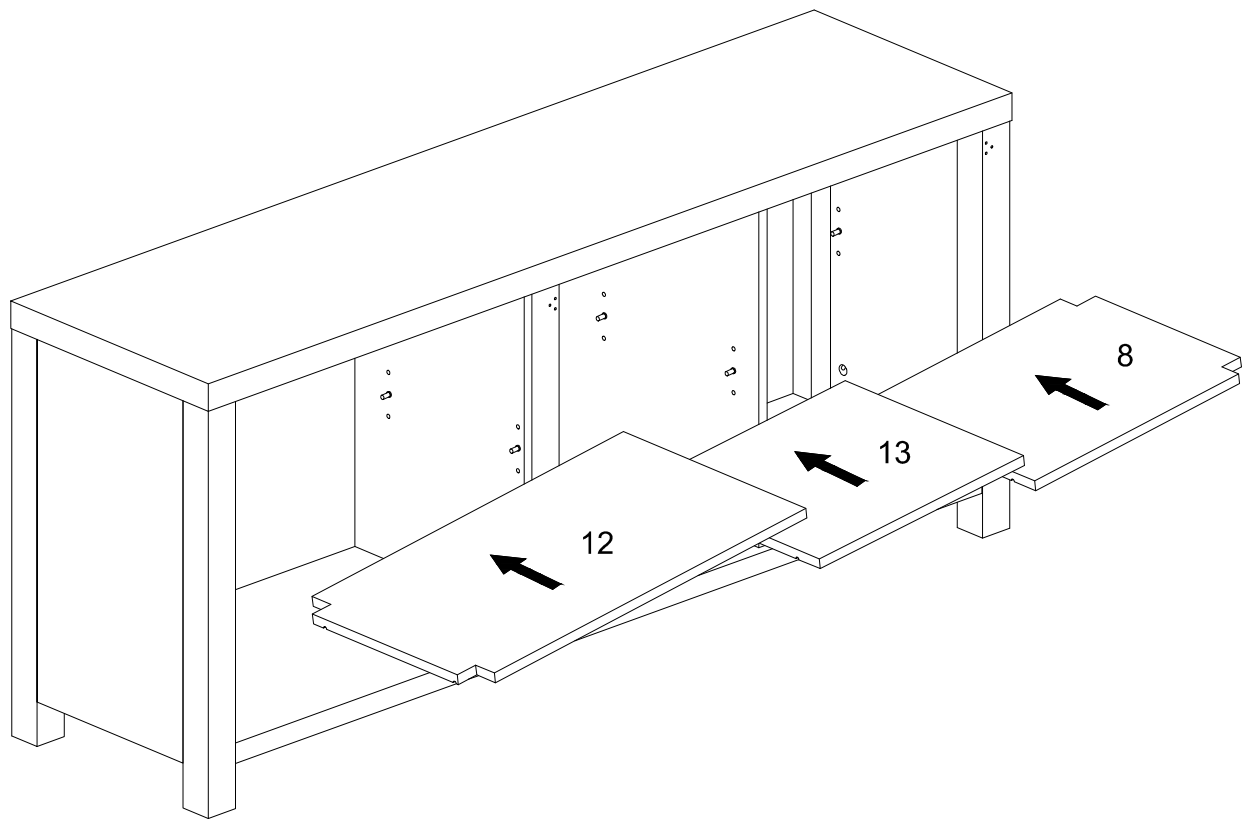
Place sticker (D) over holes as per diagram.

Step 12



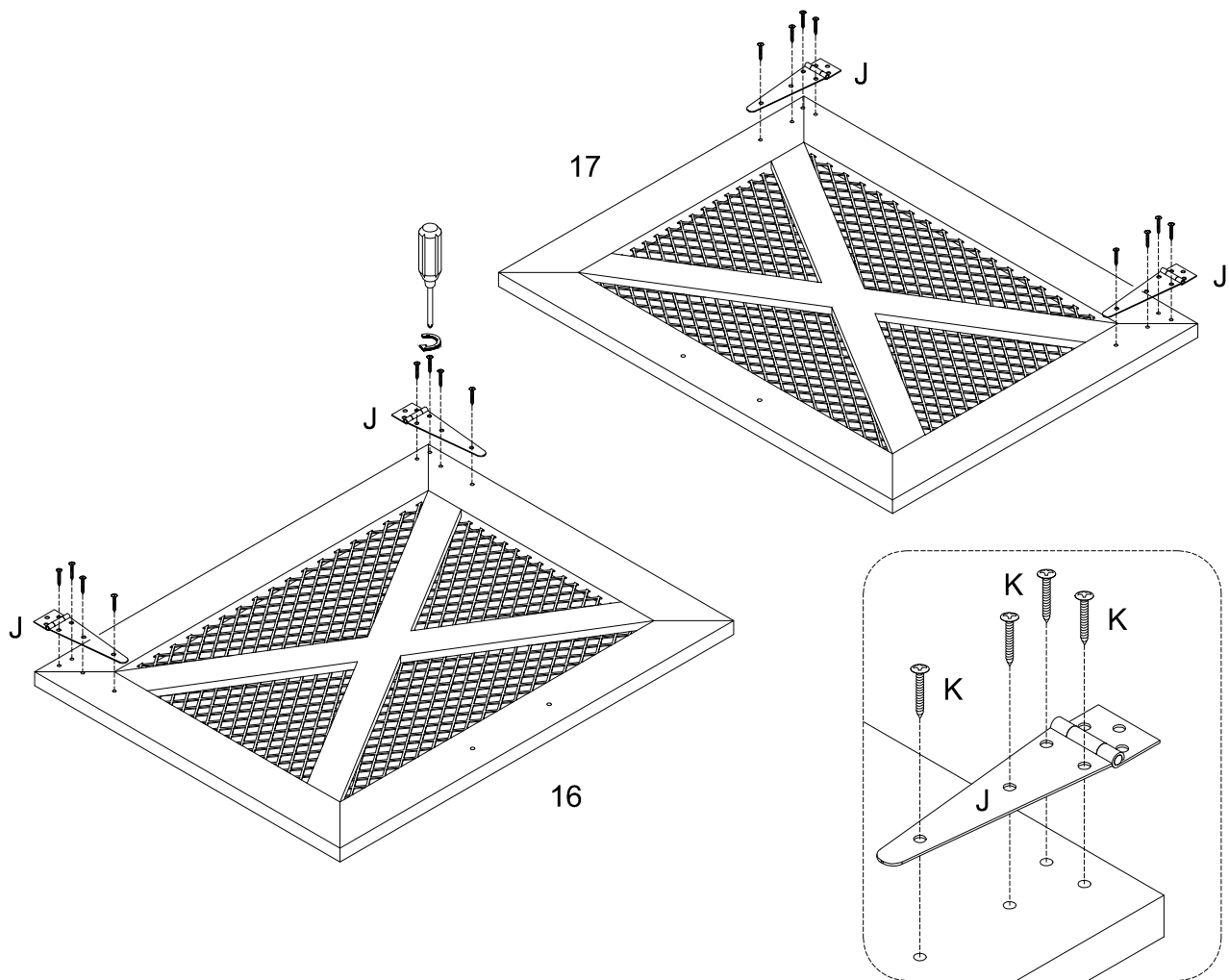
Insert shelf support pin (G) into part (5,6,7)

Step 13



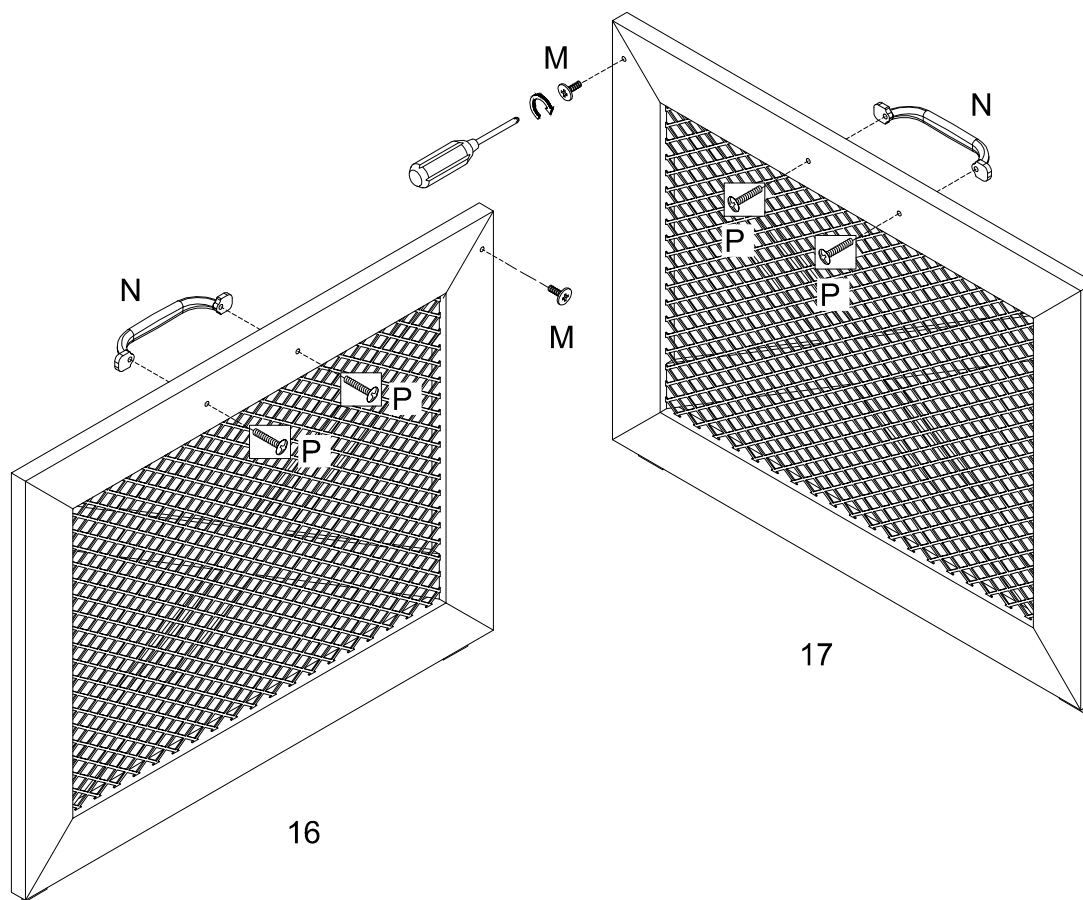
Then place shelf (12,13,8) on top of support pin (G)

Step 14



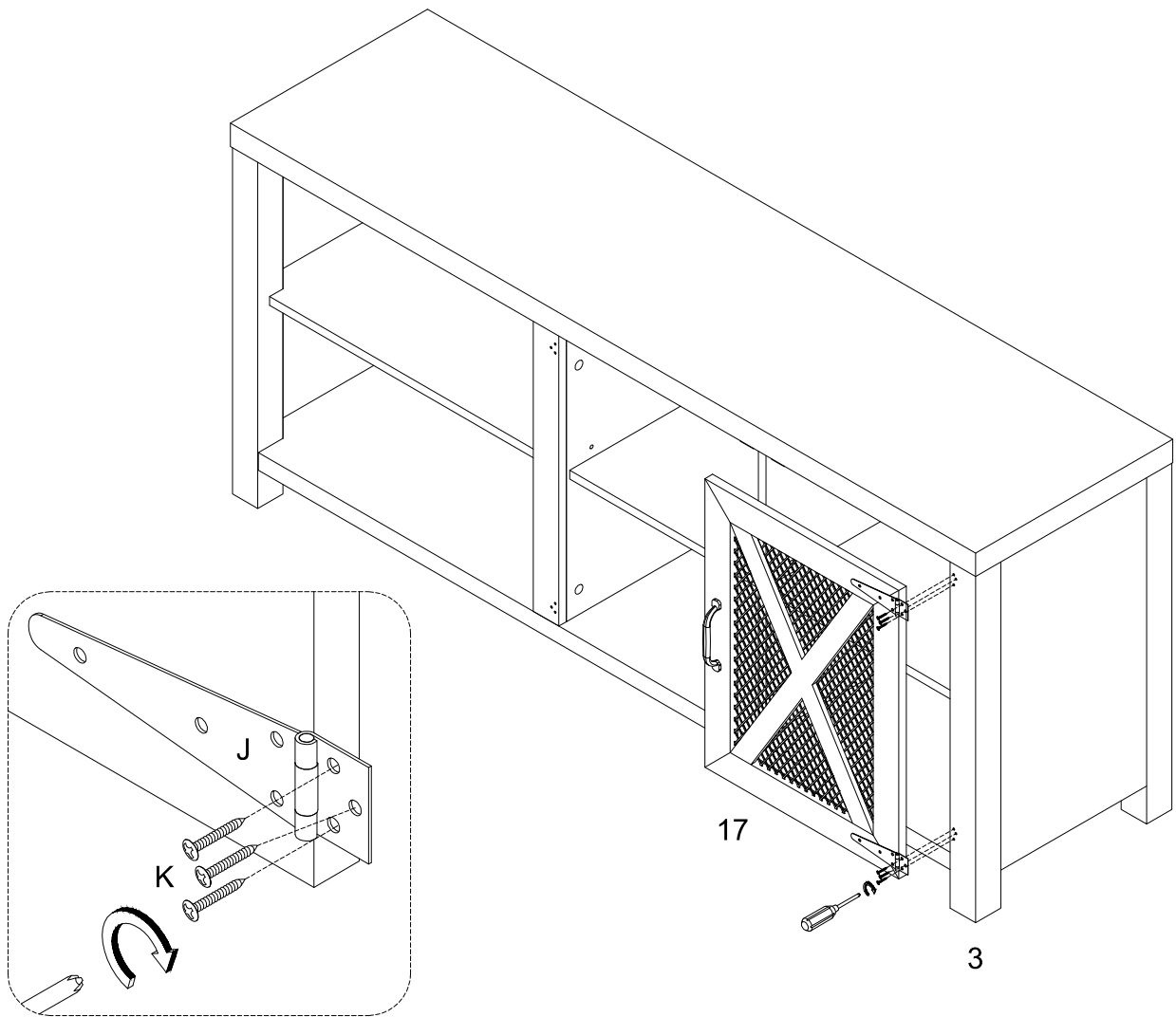
Attach hinge (J) to part (16,17) using screw (K) with screwdriver.

Step 15



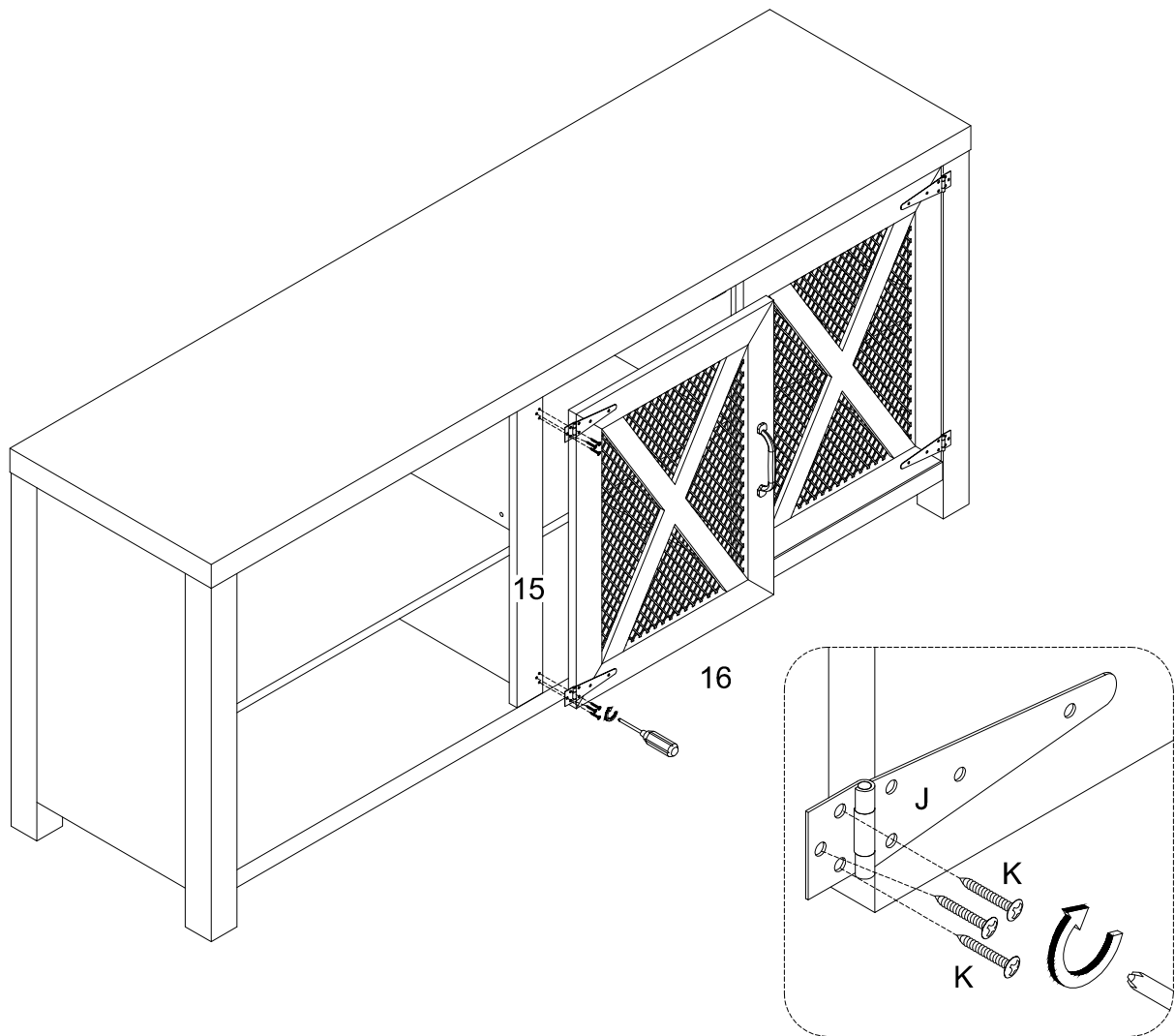
Insert bolt (M) into part (16),(17) ,attach handle (N) to part (16,17) using handle bolt (P) with screwdriver.

Step 16



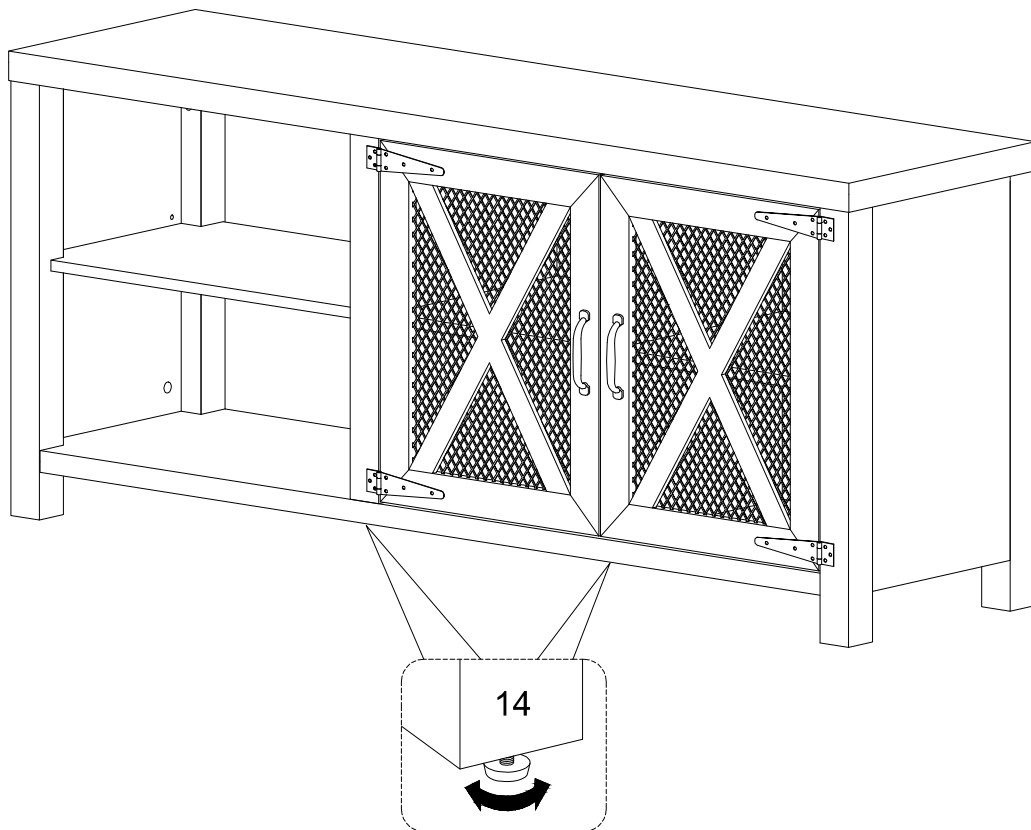
Attach hinges(J) by using screw (K) as shown in the diagram.

Step 17



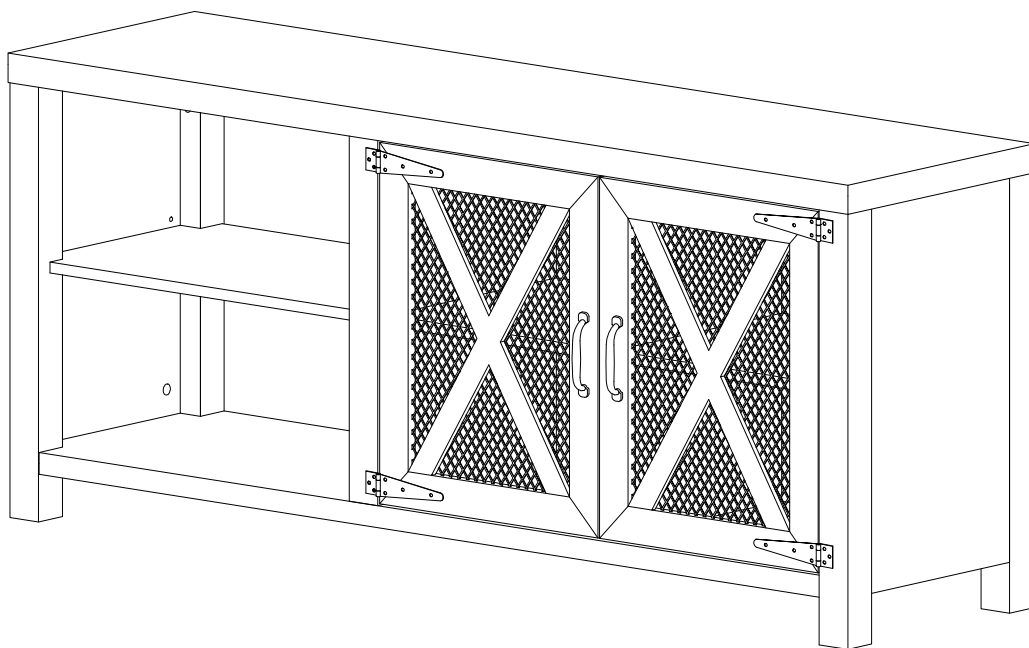
Use screw (K) with screwdriver secure the hinge and door and secure door (16).

Step 18



Under part (14) we have adjustable feet to fully support the box

Step 19



Final Assembly