

## Care and Maintenance

- Clean with a dry cloth or slight dampened in pure water if necessary.
- Avoid hard rubbing when cleaning.
- Vacuum the seat platforms to remove dust.
- Will fade naturally, over time, in sunlight.



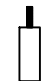


## Notice

\*Please make sure that you have all parts indicated before you begin assembly of this item.

\*This item should be assembled on a soft surface to prevent scratching the finish during assembly.

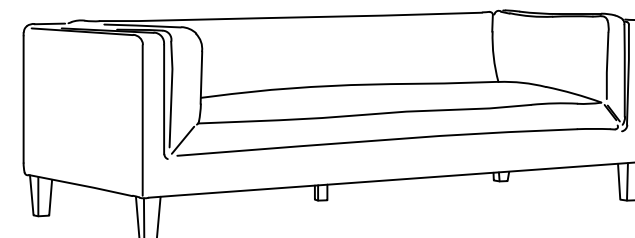
\*This item may require periodic tightening.

## Part List and Hardware List

PIECE	DESCRIPTION	PICTURE	QUANTITY
A	SEAT		1
B	legs		4
C	Adjustable middle leg		1
HW1	Socket Screws 10x1.5x120mm		4
HW2	Allen key		1

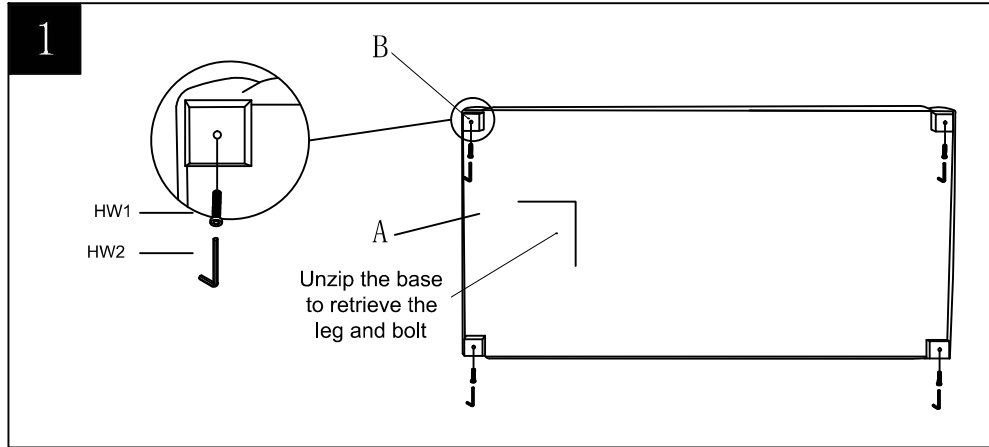
 **SAFAVIEH**  
C O U T U R E

Product Dimensions: 88.5"W x 36.6"D x 28.3"H  
Weight Capacity: 750 lbs  
DO NOT STAND ON SOFA



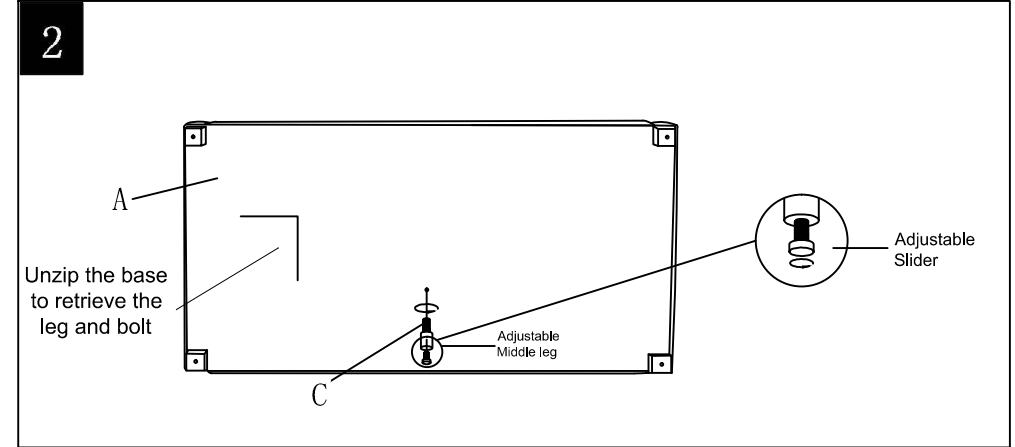
# Preparation

1. On a protective surface to prevent damage. Tip the sofa back so the base faces you
2. Please find the feet & hardware inside the box.



## Step 1

Assemble the leg(B) to seat(A) with Socket Screws. (HW1) by use of Allen key (HW2) as shown in drawing.



## Step 2

For the 3S they will require a adjustable middle leg(C). Locate adjustable middle leg onto the underneath of 3 seater sofa . Turn on the adjustable middlefoot onto the sofa body(A) as shown in drawing